



US00D856257S

(12) **United States Design Patent**
Gregory

(10) **Patent No.:** **US D856,257 S**

(45) **Date of Patent:** **** Aug. 13, 2019**

(54) **WHEEL FOR MOTOR VEHICLE**

(71) Applicant: **Bentley Motors Limited**, Crewe (GB)

(72) Inventor: **John Paul Gregory**, Crewe (GB)

(73) Assignee: **BENTLEY MOTORS LIMITED**,
Crewe, Cheshire (GB)

(**) Term: **15 Years**

(21) Appl. No.: **29/638,125**

(22) Filed: **Feb. 23, 2018**

(30) **Foreign Application Priority Data**

Aug. 25, 2017 (EM) 004164341

(51) **LOC (12) Cl.** **12-16**

(52) **U.S. Cl.**
USPC **D12/211**

(58) **Field of Classification Search**
USPC D12/204–213
CPC B60B 7/00; B60B 7/02; B60B 7/04; B60B
7/01; B60B 7/06; B60B 3/02; B60B 3/04;
B60B 3/06; B60B 3/10; B60B 1/00;
B60B 1/08; B60B 1/10; B60B 1/12
See application file for complete search history.

(56) **References Cited**

U.S. PATENT DOCUMENTS

D513,727 S * 1/2006 Gallert D12/211
D580,333 S * 11/2008 Gallert D12/209
D583,739 S * 12/2008 Gallert D12/209
D617,716 S * 6/2010 Lamm D12/211

D663,249 S * 7/2012 Zhang D12/211
D670,635 S * 11/2012 Pollmann D12/211
D698,301 S * 1/2014 Lemke D12/211
D701,810 S * 4/2014 Zhang D12/211
D710,779 S * 8/2014 Zhang D12/209
D720,677 S * 1/2015 Diephuis D12/209
D727,823 S * 4/2015 Rueckheim D12/209
D730,800 S * 6/2015 Behmer D12/211
D734,237 S * 7/2015 Juergens D12/211
D751,015 S * 3/2016 Mahoney D12/209
D791,053 S * 7/2017 Johnson D12/211
D793,319 S * 8/2017 Namba D12/209
D815,007 S * 4/2018 Valencia Pollex D12/209
D825,429 S * 8/2018 Myrberg D12/209

* cited by examiner

Primary Examiner — Stacia A Cadmus

(74) *Attorney, Agent, or Firm* — Schwabe Williamson &
Wyatt, P.C.

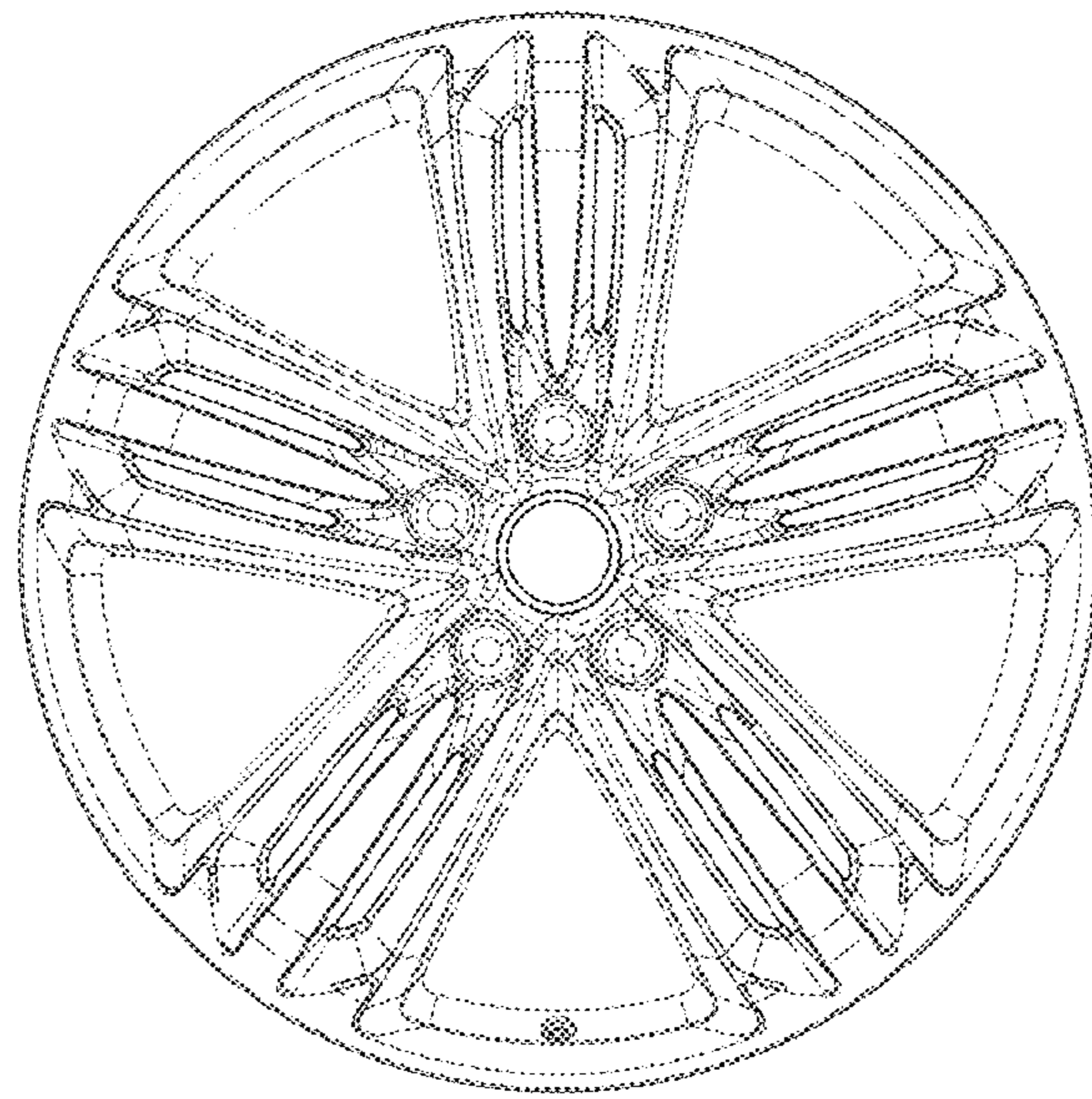
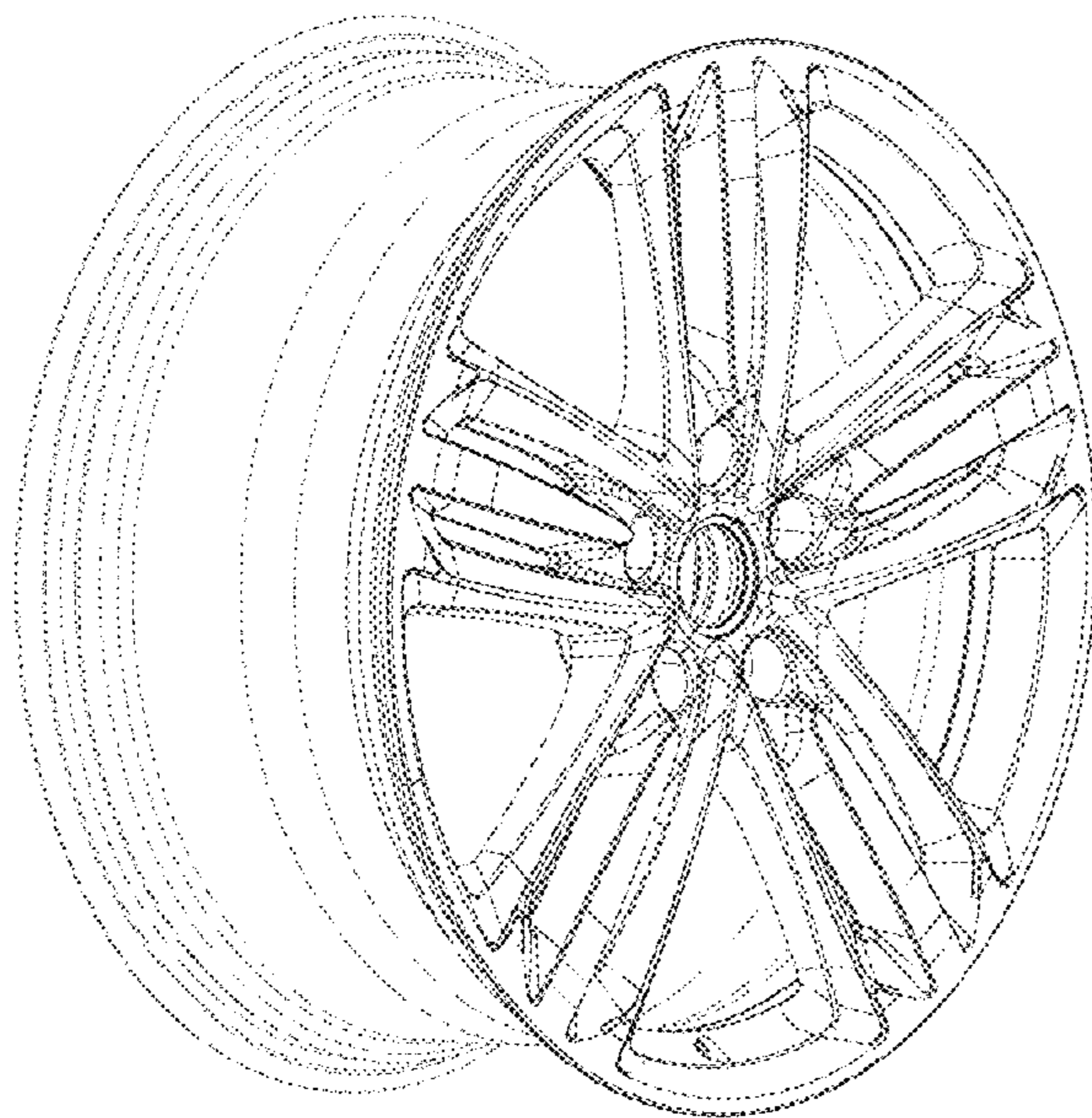
(57) **CLAIM**

I claim the ornamental design for a wheel for motor vehicle,
as shown and described.

DESCRIPTION

FIG. 1 is a perspective view of a wheel for motor vehicle,
showing my design;
FIG. 2 is a front view thereof; and,
FIG. 3 is a side view thereof.
The additional views of the wheel not provided herein do not
provide any additional claimed features of the design and
thus are not represented. The broken lines are included for
illustrating environmental structure and form no part of the
claimed design.

1 Claim, 3 Drawing Sheets



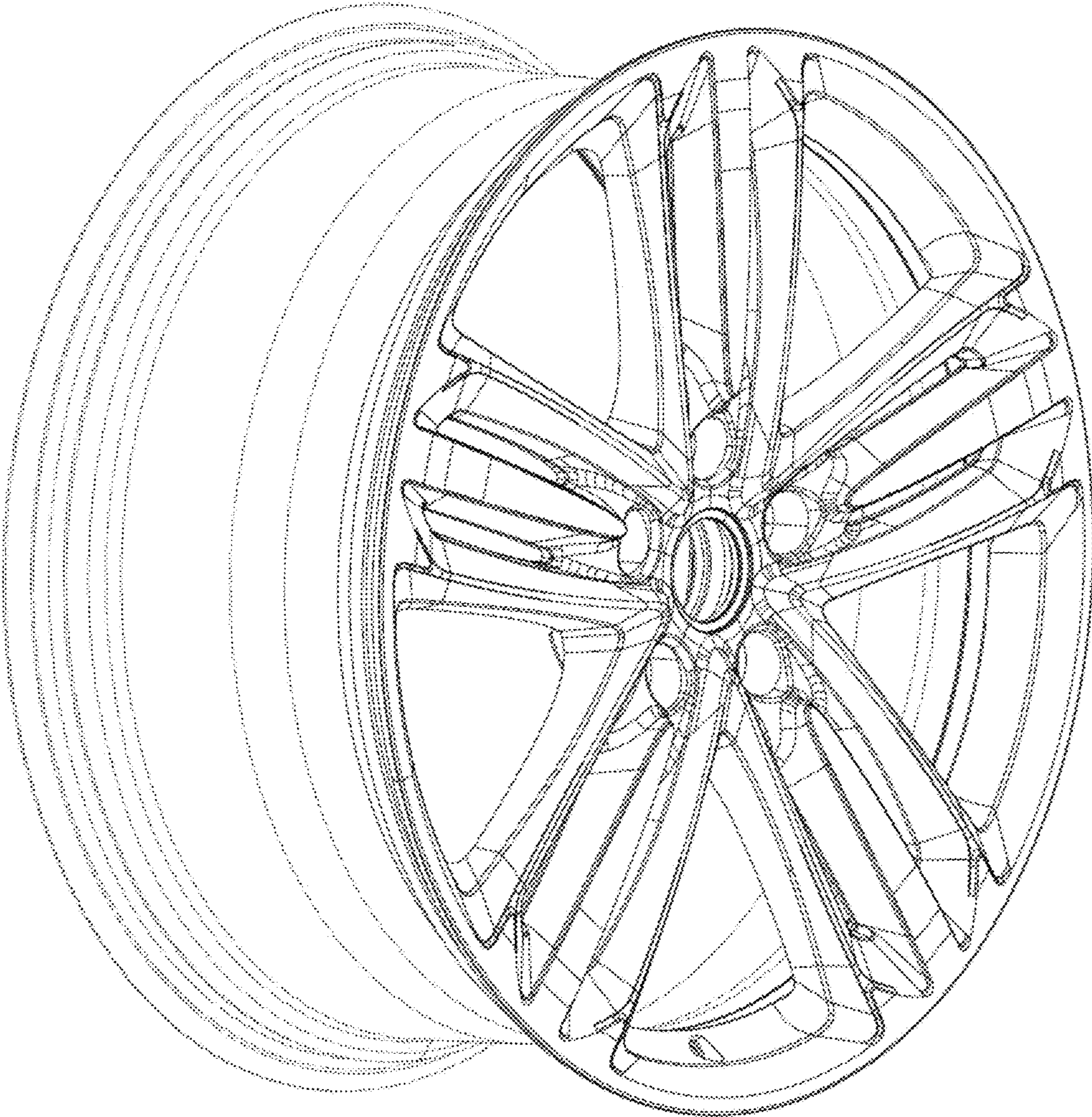


FIG. 1

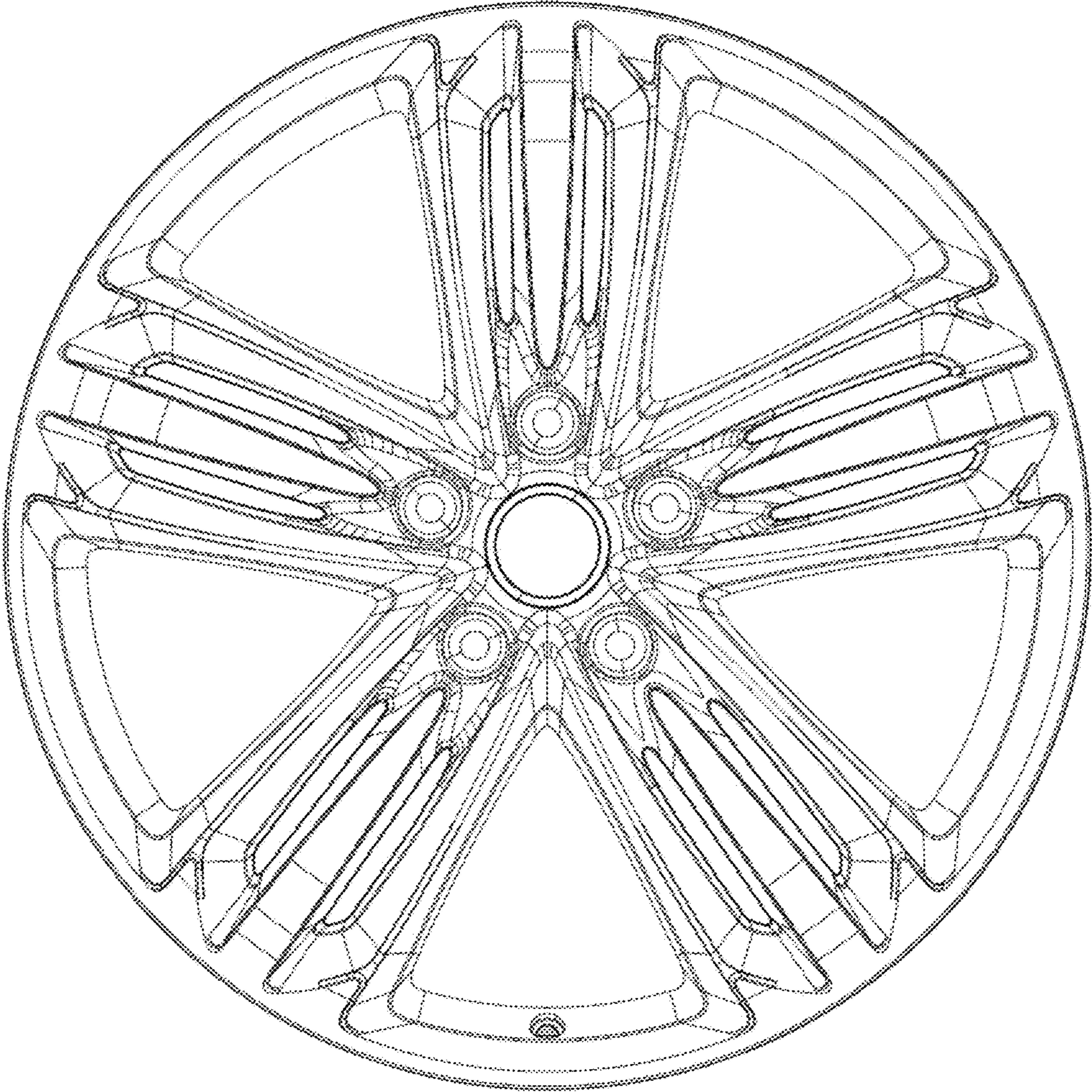


FIG. 2

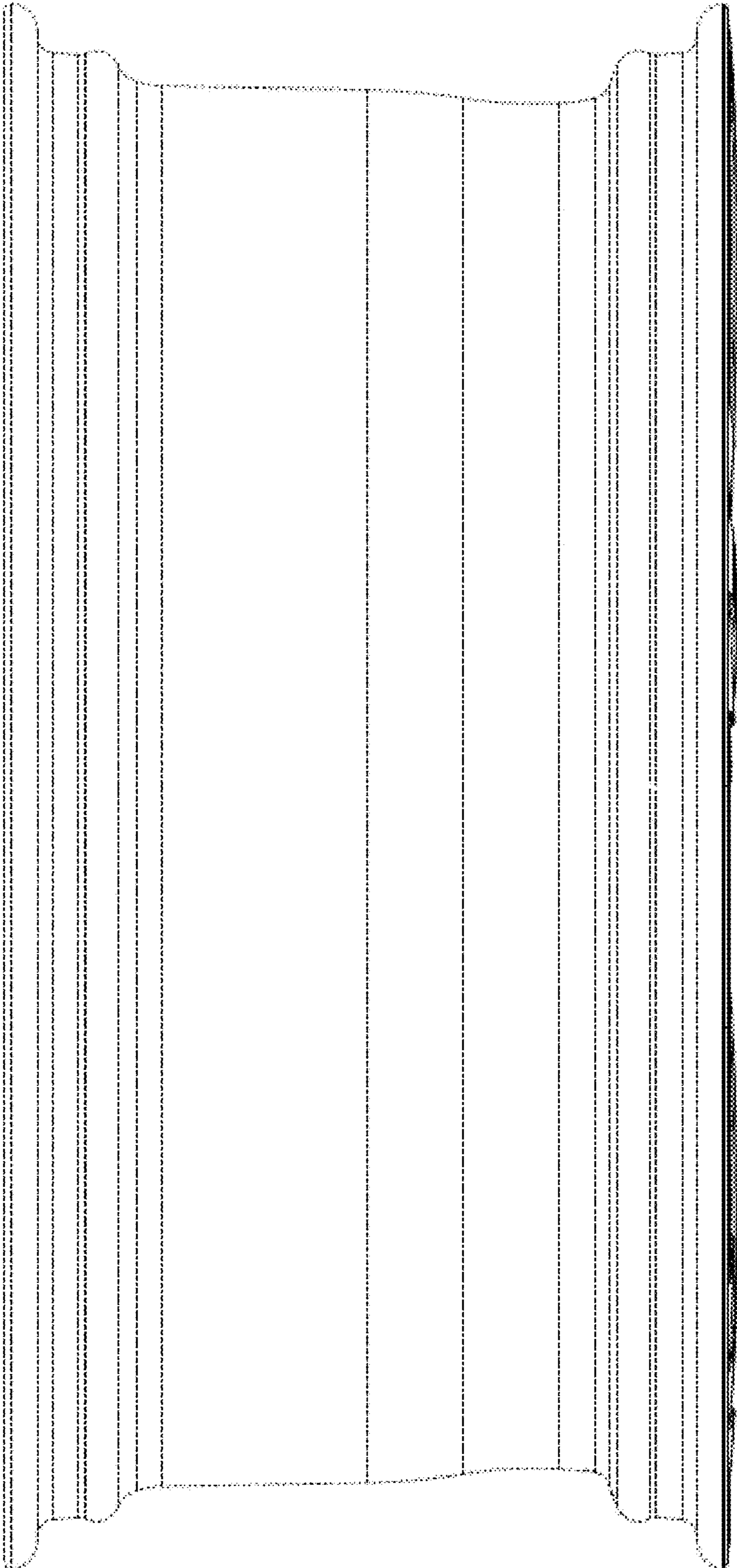


FIG. 3