



US00D856255S

(12) **United States Design Patent**
Johnson

(10) **Patent No.:** **US D856,255 S**

(45) **Date of Patent:** **** Aug. 13, 2019**

(54) **AUTOMOTIVE RIM**

(71) Applicant: **DIABLO RACING INC.**, Irwindale,
CA (US)

(72) Inventor: **Kelly Johnson**, Placentia, CA (US)

(73) Assignee: **Diablo Racing Inc.**, Irwindale, CA
(US)

(**) Term: **15 Years**

(21) Appl. No.: **29/654,066**

(22) Filed: **Jun. 20, 2018**

(51) **LOC (12) Cl.** **12-16**

(52) **U.S. Cl.**
USPC **D12/209**

(58) **Field of Classification Search**
USPC D12/204–213

CPC B60B 7/00; B60B 7/02; B60B 7/04; B60B
7/01; B60B 7/06; B60B 3/02; B60B 3/04;
B60B 3/06; B60B 3/10; B60R 1/00;
B60R 1/08; B60R 1/10; B60R 1/12;
B60R 13/04

See application file for complete search history.

(56) **References Cited**

U.S. PATENT DOCUMENTS

D499,058 S 11/2004 Iwauchi
D584,673 S 1/2009 Chung

D651,956 S	1/2012	Ectors	
D686,135 S	7/2013	Borkert	
D697,007 S	1/2014	Pollmann	
D763,164 S *	8/2016	Chung	D12/211
D799,399 S *	10/2017	Chung	D12/211
D830,272 S *	10/2018	Aslam	D12/213
D830,941 S *	10/2018	Hamilton	D12/211
D833,943 S *	11/2018	Chung	D12/209
D838,647 S *	1/2019	Han	D12/209
D842,186 S *	3/2019	Kong	D12/209
D842,201 S *	3/2019	Han	D12/209

* cited by examiner

Primary Examiner — Stacia A Cadmus

(57) **CLAIM**

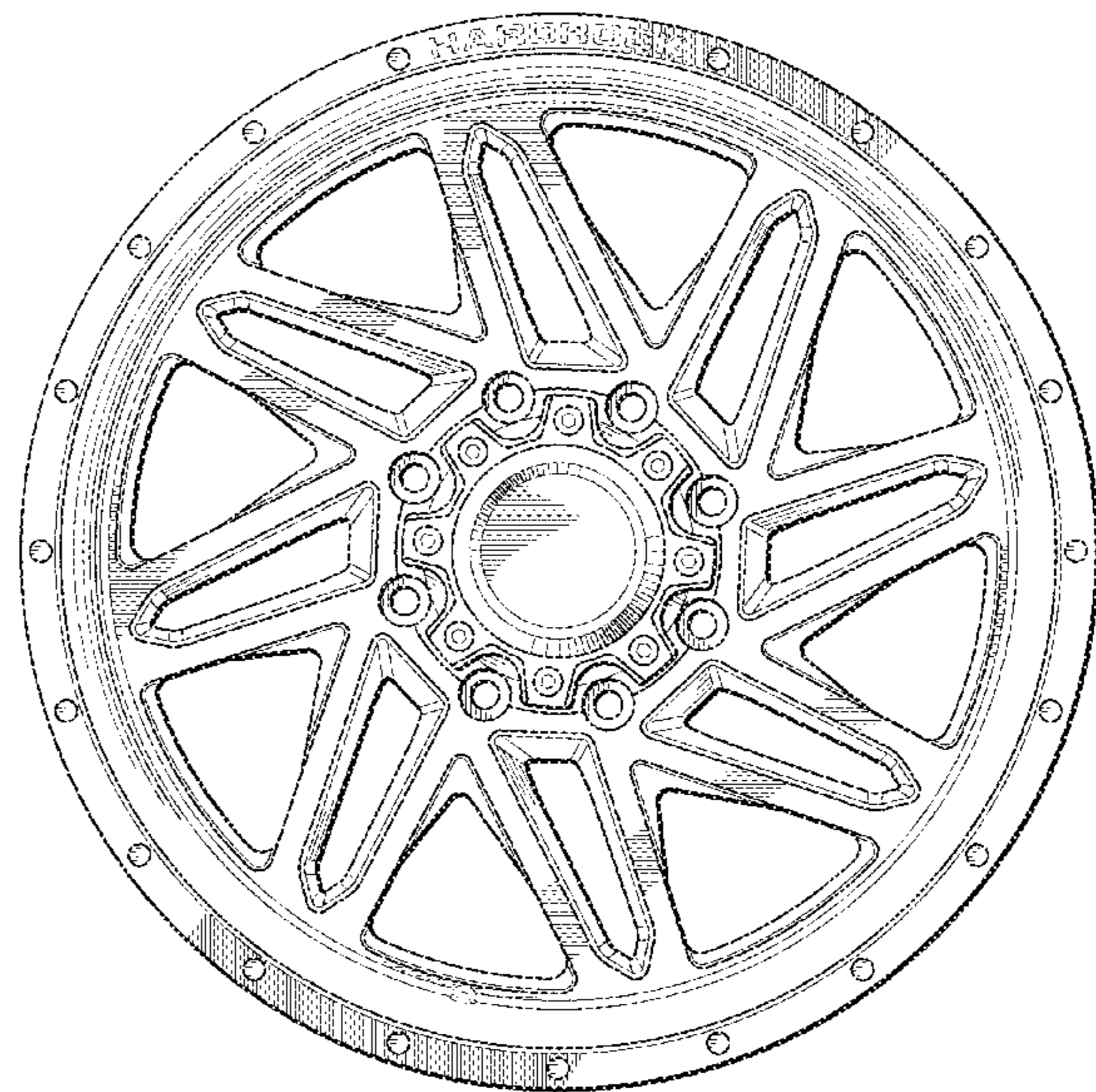
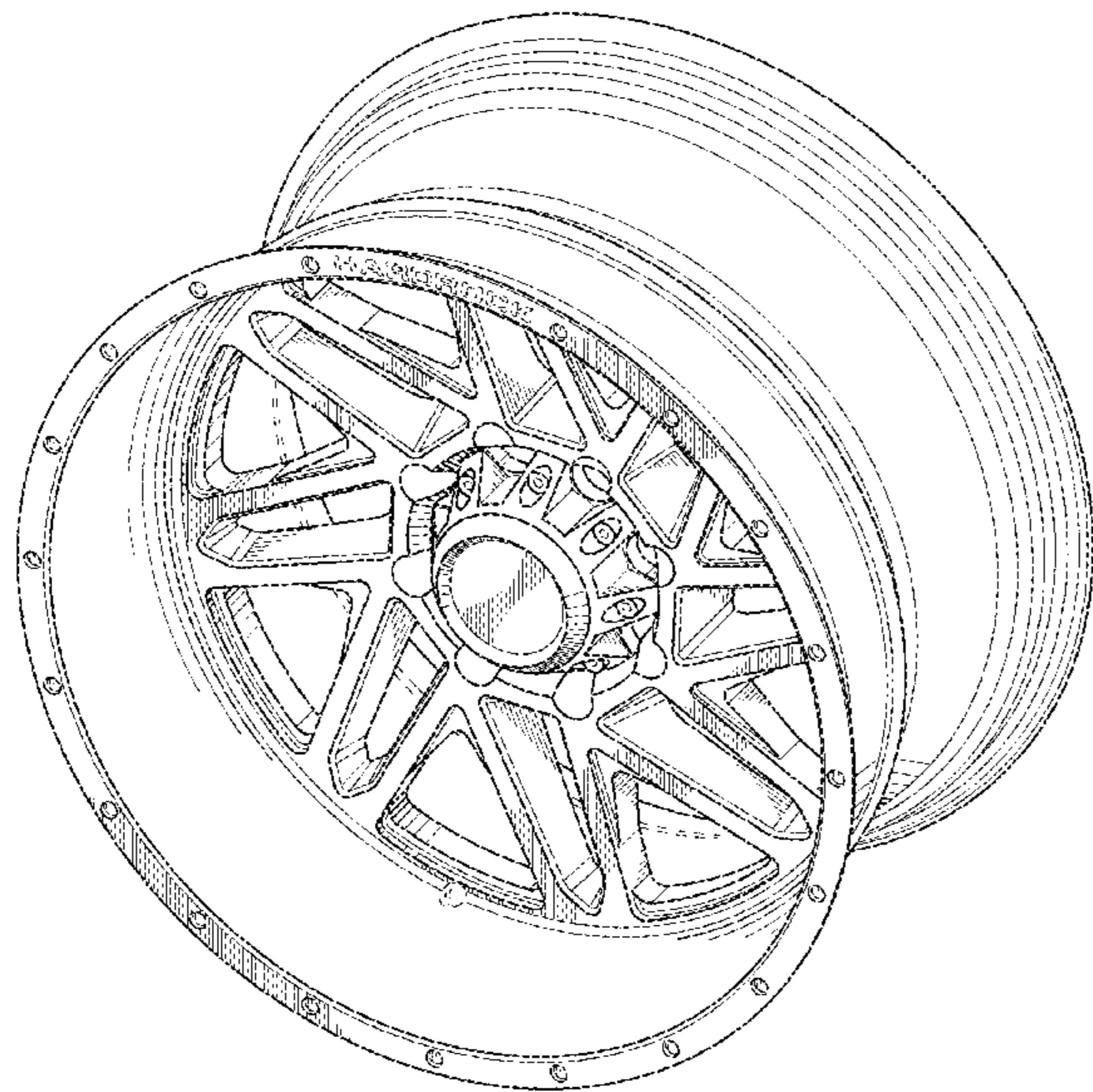
The ornamental design for an automotive rim, as shown and described.

DESCRIPTION

FIG. 1—Right front perspective view of an automotive rim;
FIG. 2—Front elevation view thereof; and,
FIG. 3—Top view thereof.

The broken lines shown are included for the purpose of illustrating the unclaimed portions of the automotive rim and form no part of the claim.

1 Claim, 3 Drawing Sheets



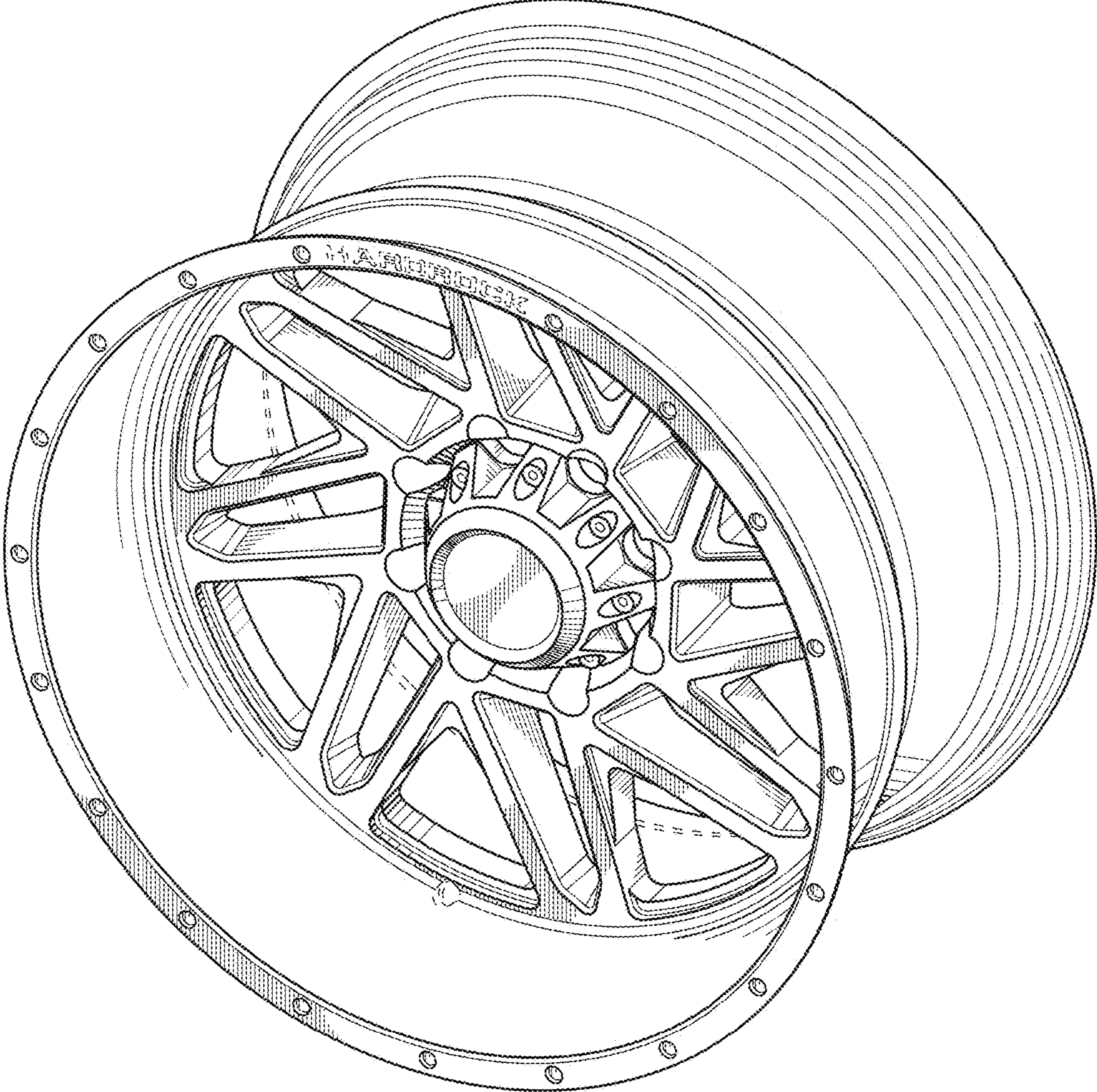


FIG. 1



FIG. 2

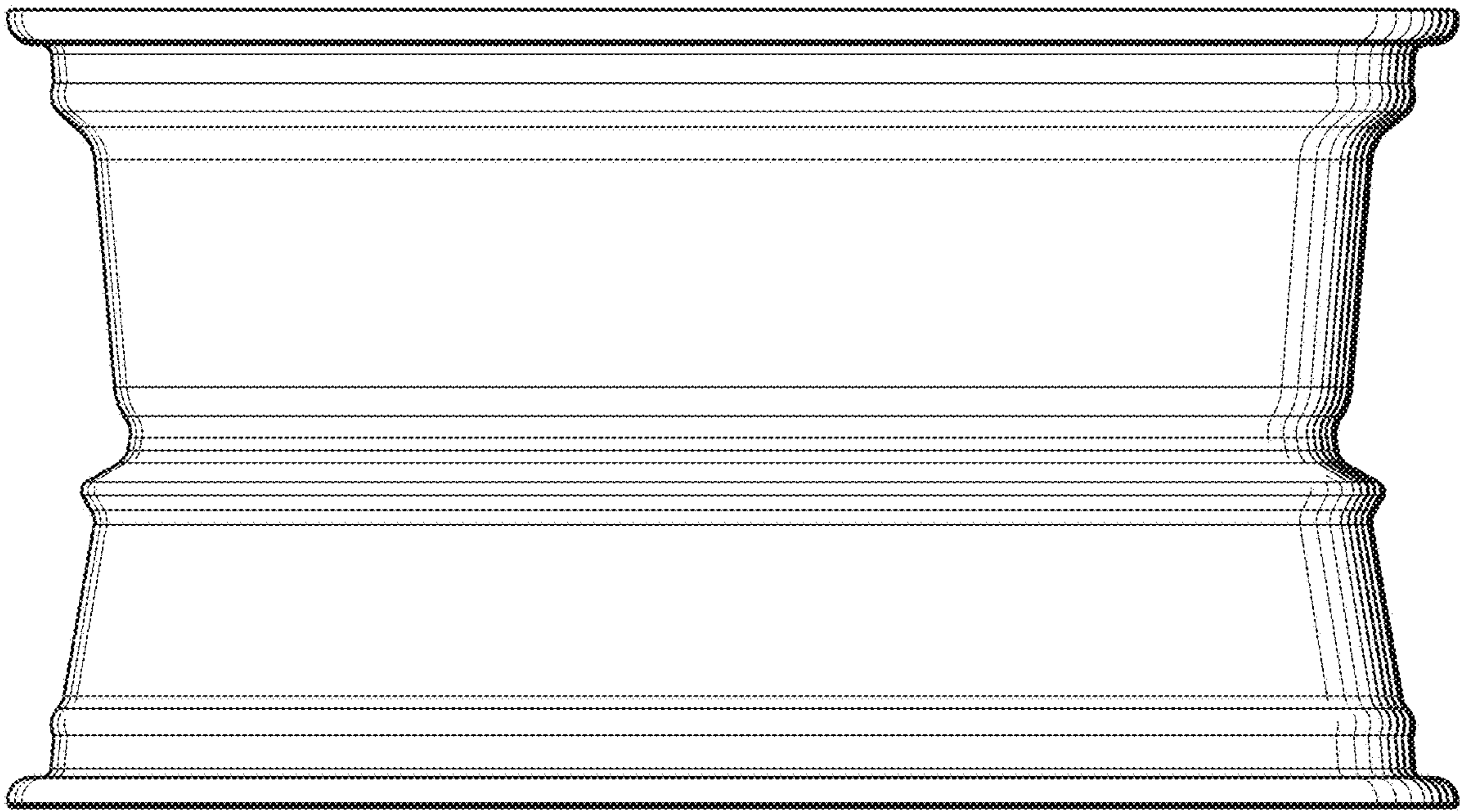


FIG. 3