



US00D856254S

(12) **United States Design Patent**
Melville-Brown

(10) **Patent No.:** **US D856,254 S**

(45) **Date of Patent:** **** Aug. 13, 2019**

(54) **WHEEL**

(71) Applicant: **HONDA MOTOR CO., LTD.**,
Minato-ku, Tokyo (JP)

(72) Inventor: **Guy Thomas Melville-Brown**,
Manhattan Beach, CA (US)

(73) Assignee: **HONDA MOTOR CO., LTD.**, Tokyo
(JP)

(**) Term: **15 Years**

(21) Appl. No.: **29/646,562**

(22) Filed: **May 4, 2018**

(51) **LOC (12) Cl.** **12-16**

(52) **U.S. Cl.**
USPC **D12/209**

(58) **Field of Classification Search**
USPC D12/204–213
CPC B60B 7/00; B60B 7/02; B60B 7/04; B60B
7/01; B60B 7/06; B60B 3/04; B60B 1/00;
B60B 3/10; B60B 1/10; B60B 1/08;
B60B 3/06; B60B 1/12; B60B 3/02
See application file for complete search history.

(56) **References Cited**

U.S. PATENT DOCUMENTS

D753,045 S	*	4/2016	Kawaguchi	D12/209
D762,543 S	*	8/2016	Hara	D12/209
D764,999 S	*	8/2016	Song	D12/209
D774,434 S	*	12/2016	Nakahara	D12/209
D789,860 S	*	6/2017	Lee	D12/209
D803,132 S	*	11/2017	Okaji	D12/209
D804,388 S	*	12/2017	Snyder	D12/209

D805,989 S	*	12/2017	Grewer	D12/209
D814,381 S	*	4/2018	Valencia Pollex	D12/209
D818,925 S	*	5/2018	Sugiyama	D12/209
D819,536 S	*	6/2018	Austin	D12/209
D825,424 S	*	8/2018	Setter	D12/209
D826,130 S	*	8/2018	Myrberg	D12/209
D826,826 S	*	8/2018	Back	D12/209
D833,952 S	*	11/2018	Bjerke	D12/211
D840,317 S	*	2/2019	Austin	D12/209

* cited by examiner

Primary Examiner — Stacia A Cadmus

(74) *Attorney, Agent, or Firm* — Arent Fox LLP

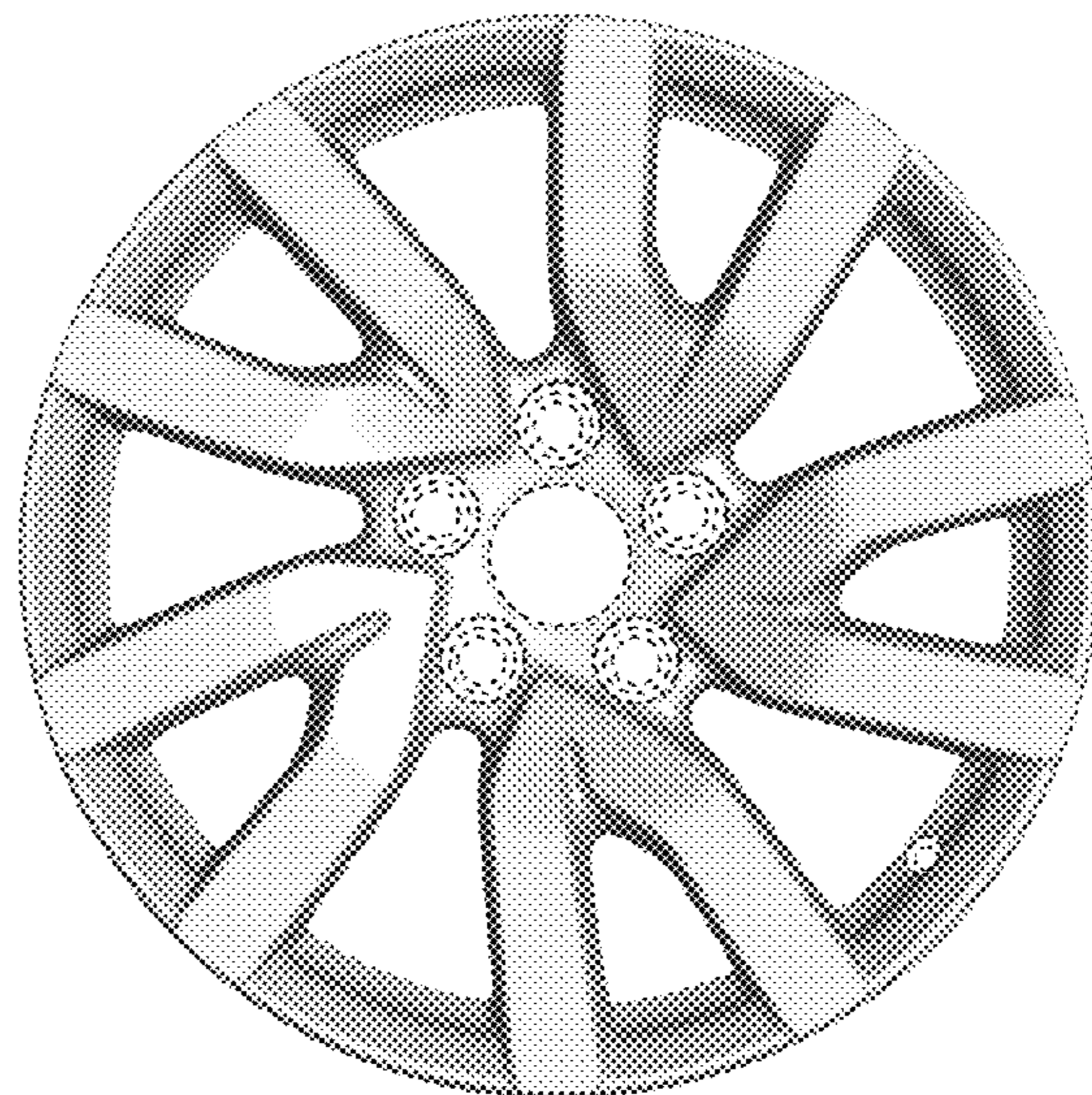
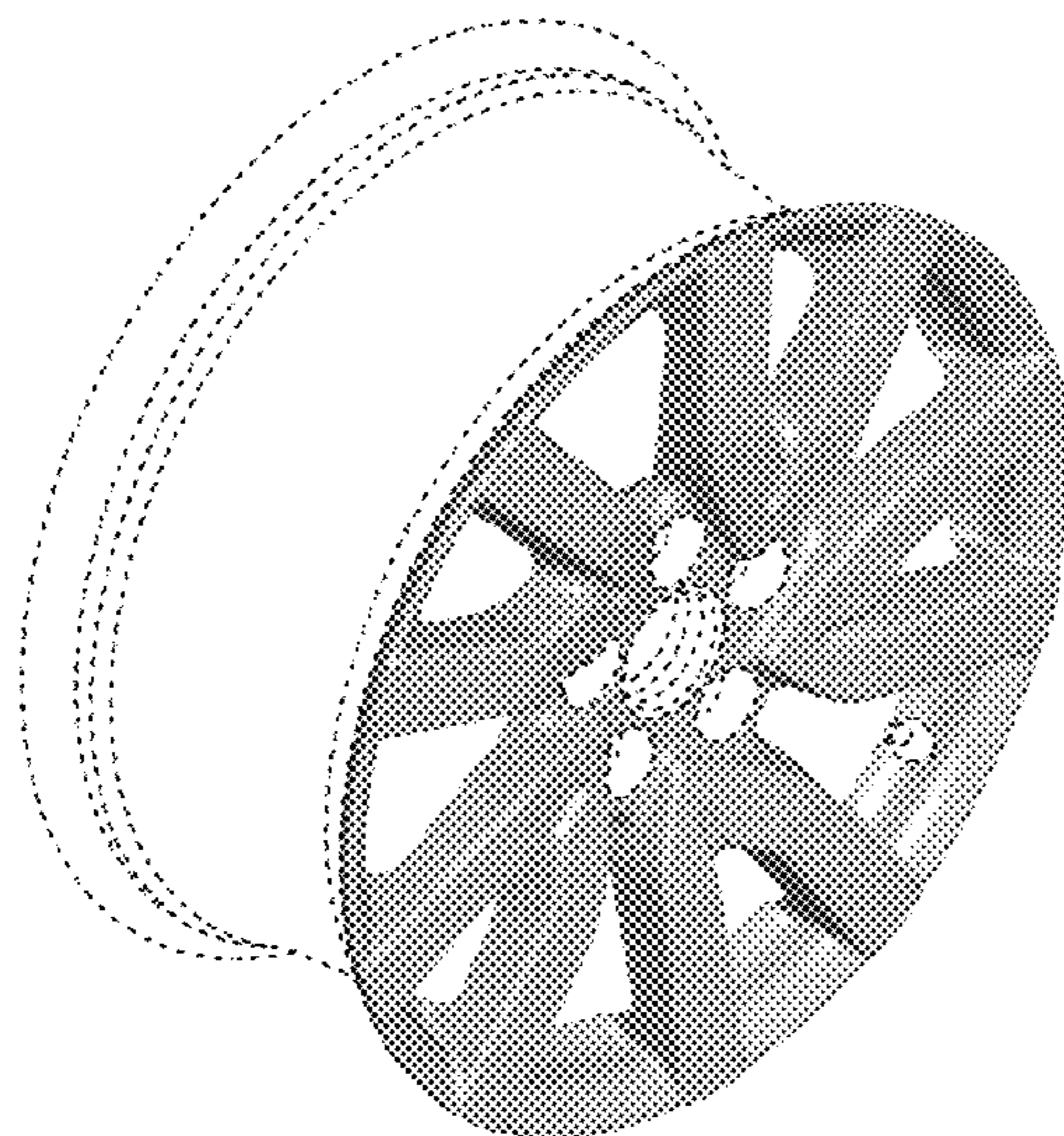
(57) **CLAIM**

The ornamental design for a wheel, as shown and described.

DESCRIPTION

FIG. 1 is a front left perspective view of a first embodiment of a wheel showing my new design;
 FIG. 2 is a front right perspective view of the design shown in FIG. 1;
 FIG. 3 is a rear right perspective view of the design shown in FIG. 1;
 FIG. 4 is a rear left perspective view of the design shown in FIG. 1;
 FIG. 5 is a front view of the design shown in FIG. 1;
 FIG. 6 is a rear view of the design shown in FIG. 1;
 FIG. 7 is a left side view of the design shown in FIG. 1;
 FIG. 8 is a right side view of the design shown in FIG. 1;
 FIG. 9 is a top view of the design shown in FIG. 1; and,
 FIG. 10 is a bottom view of the design shown in FIG. 1.
 The broken lines shown in the figures are included for the purpose of illustrating portions of the wheel and form no part of the claimed design.

1 Claim, 10 Drawing Sheets



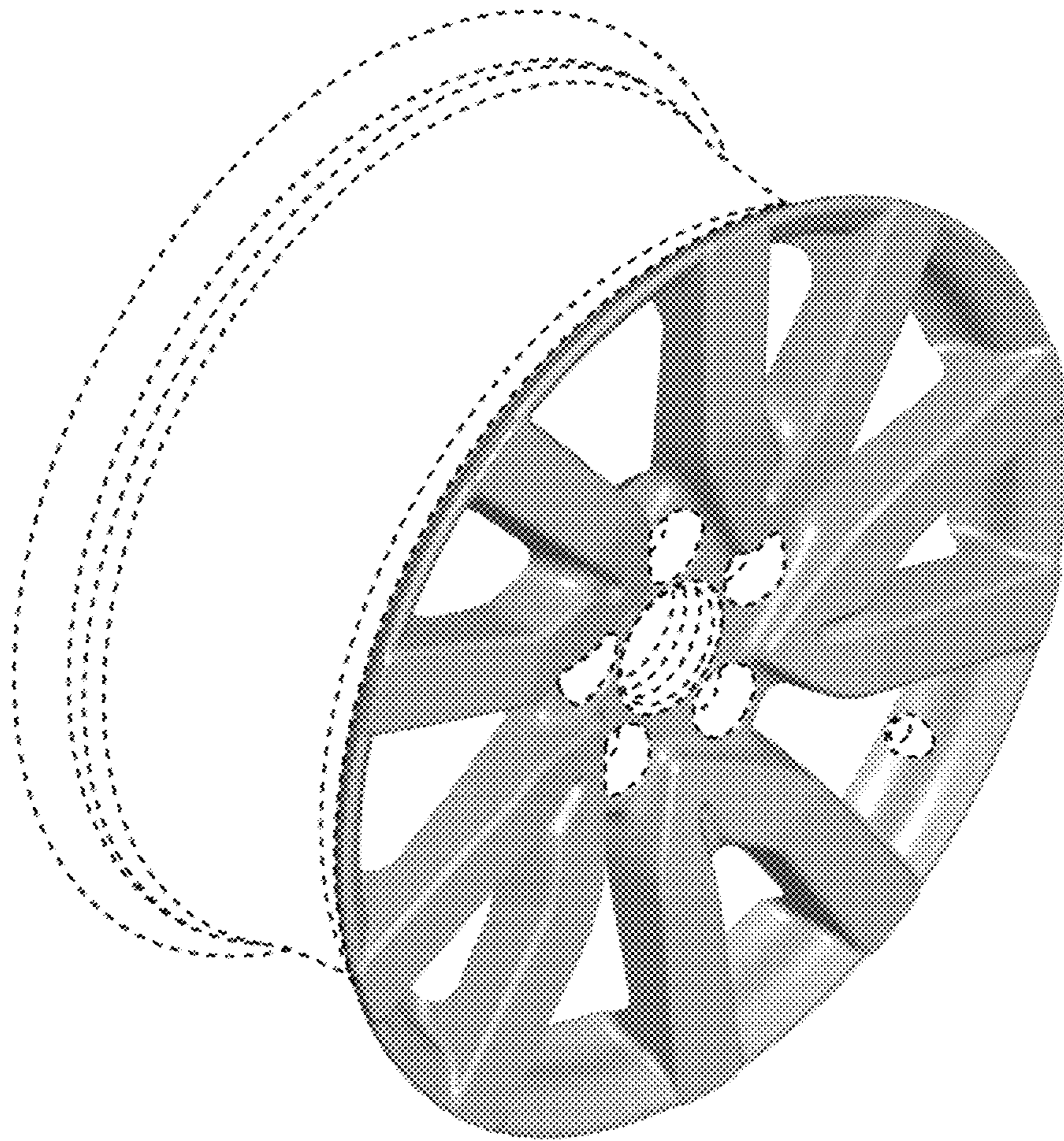


FIG. 1

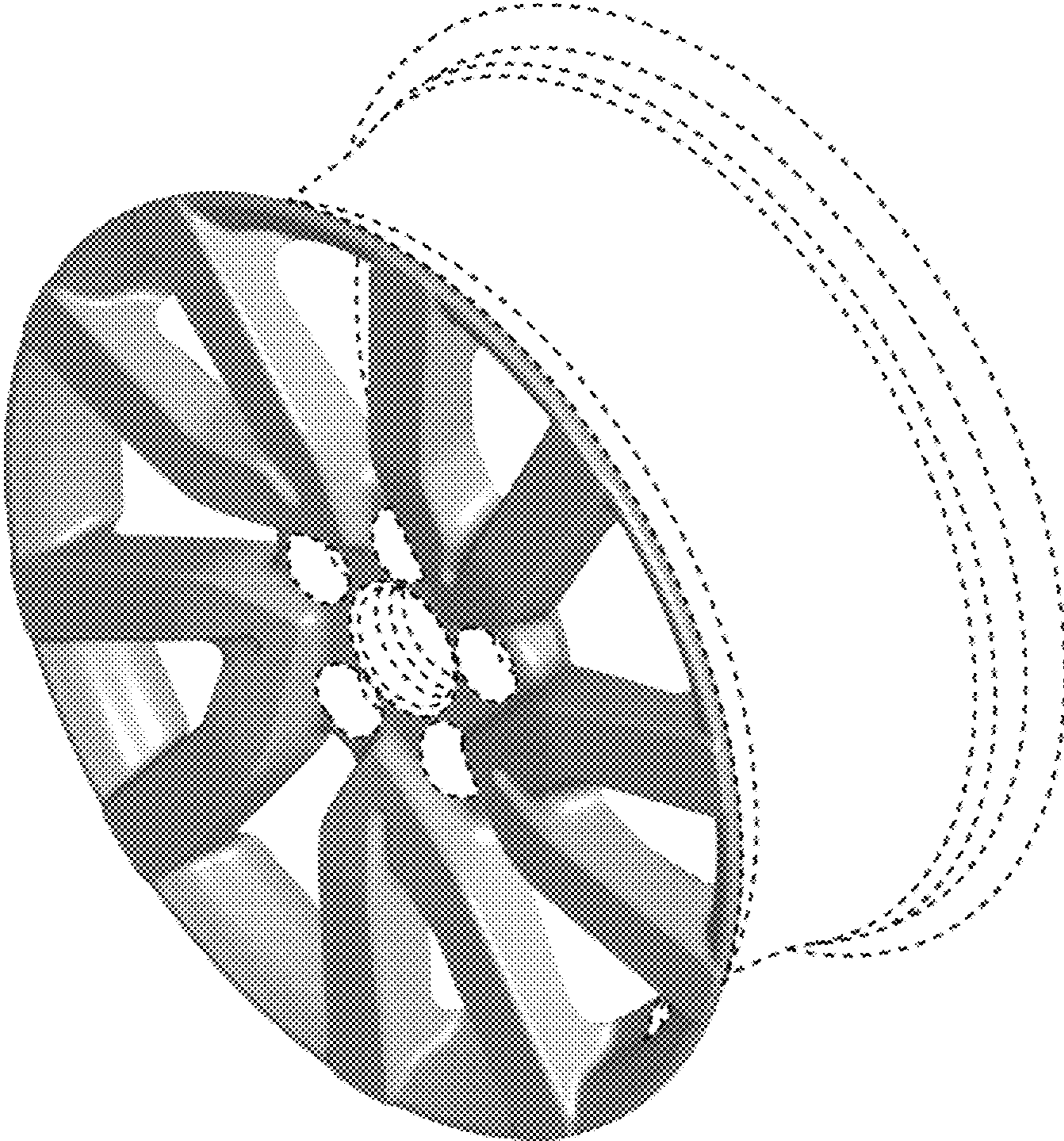


FIG. 2

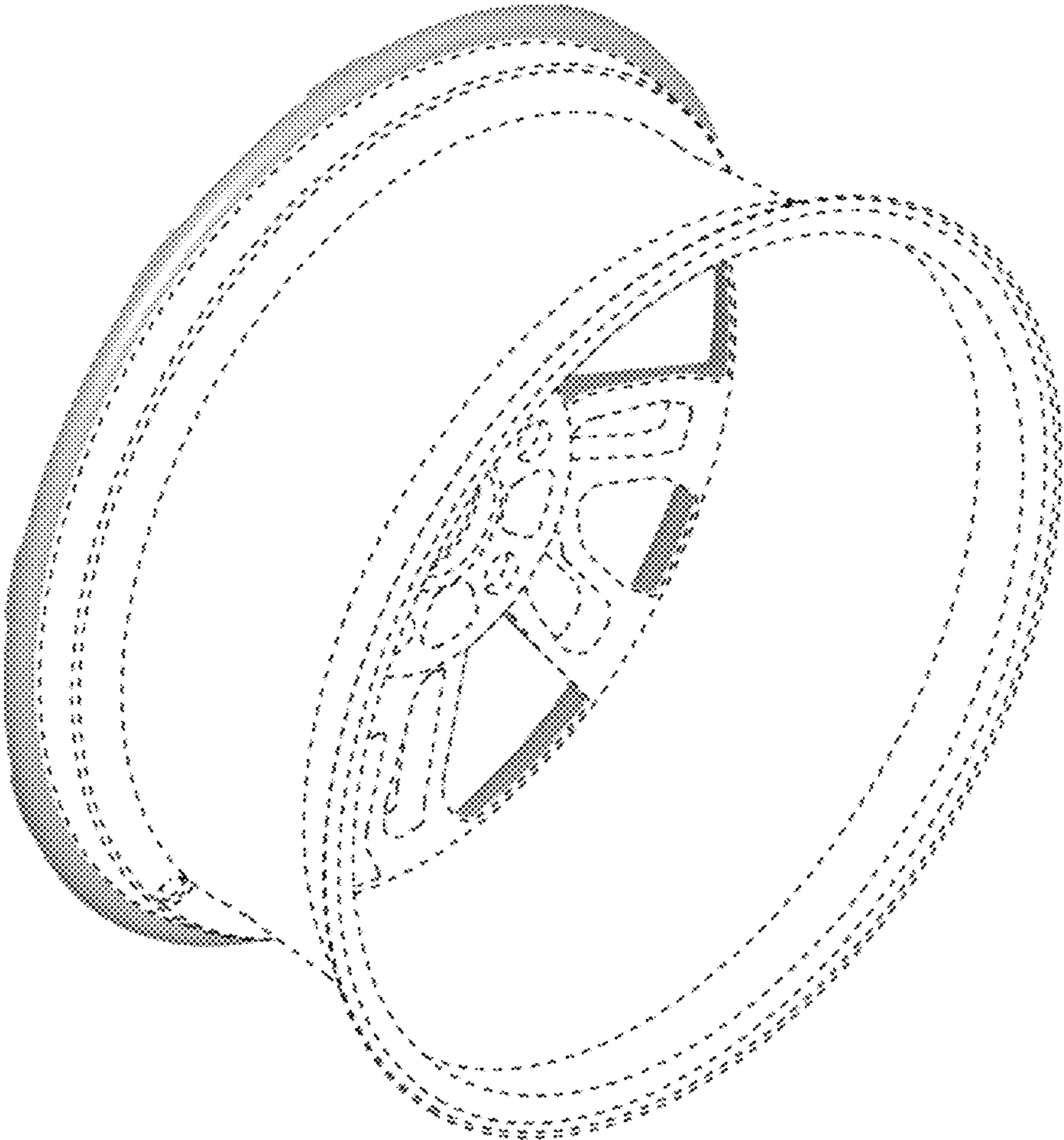


FIG. 3

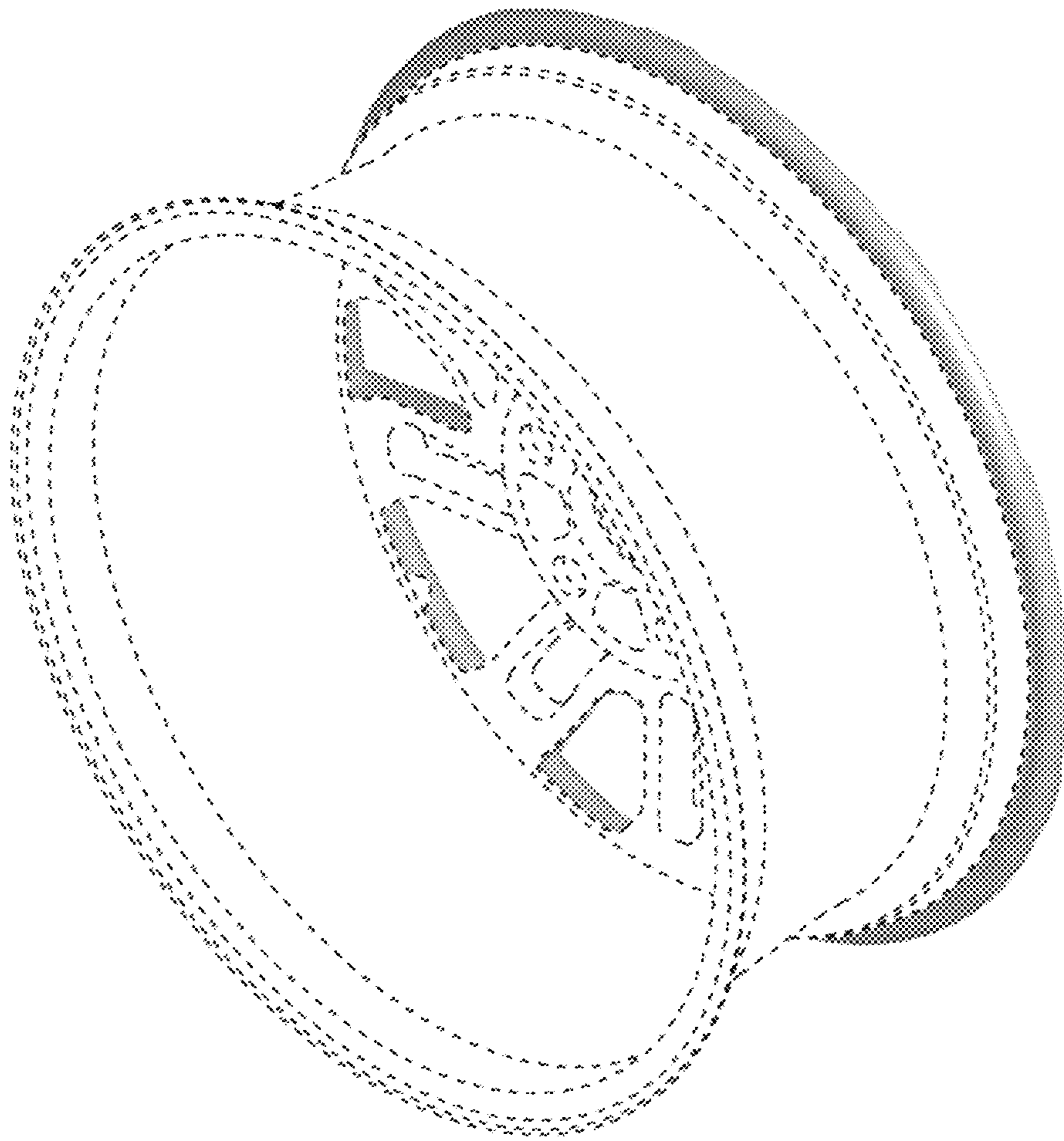


FIG. 4

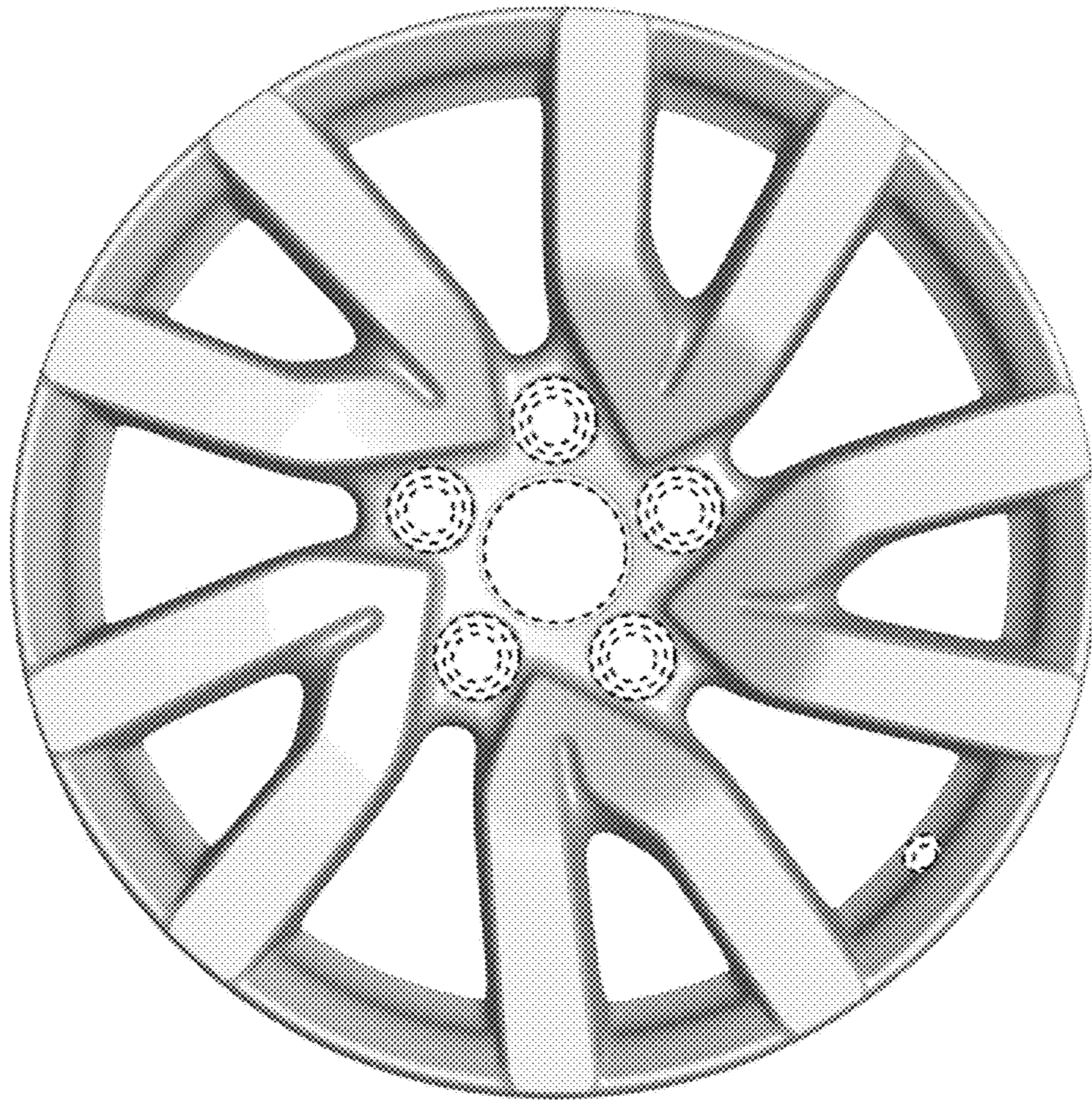


FIG. 5

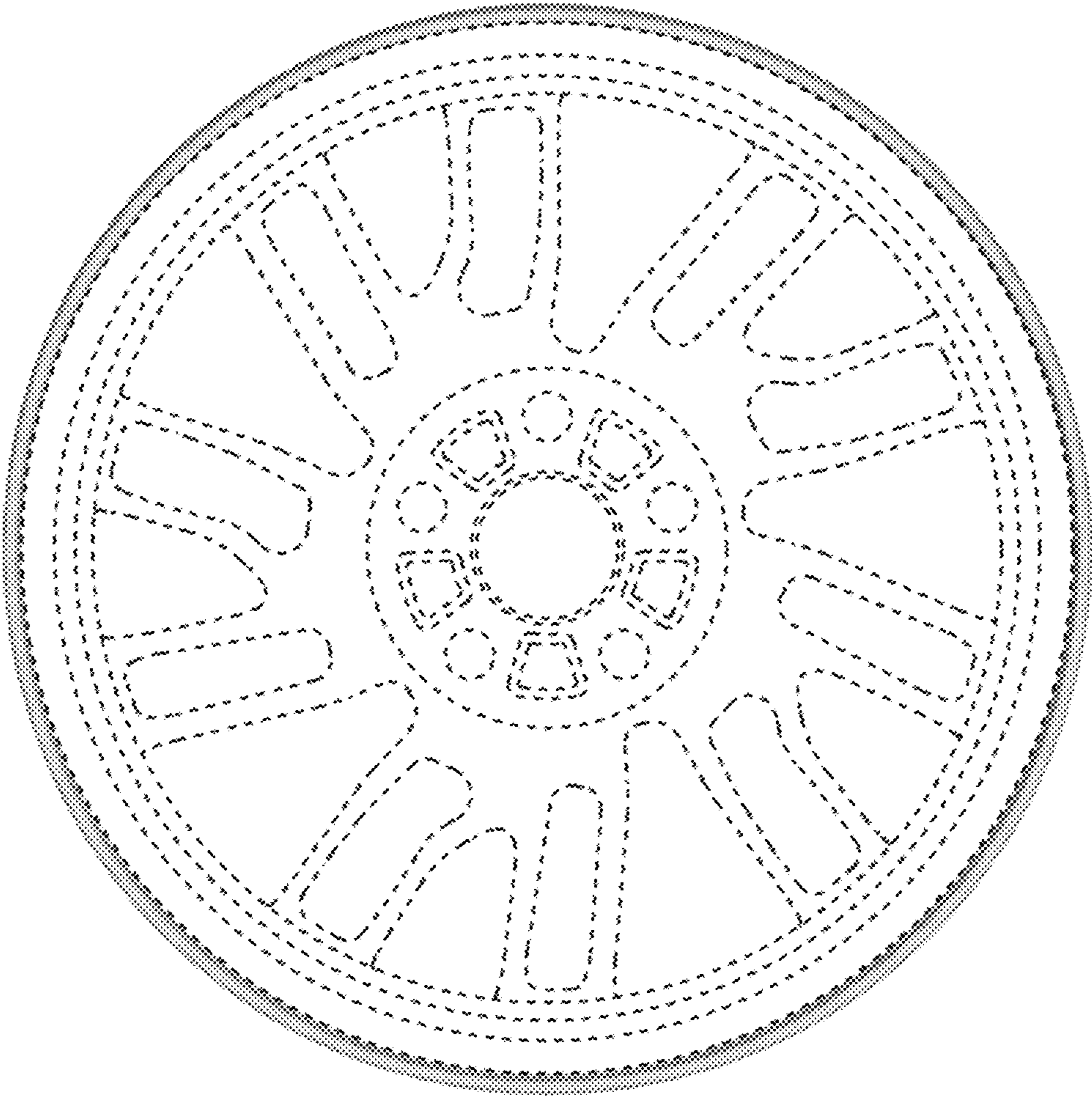


FIG. 6

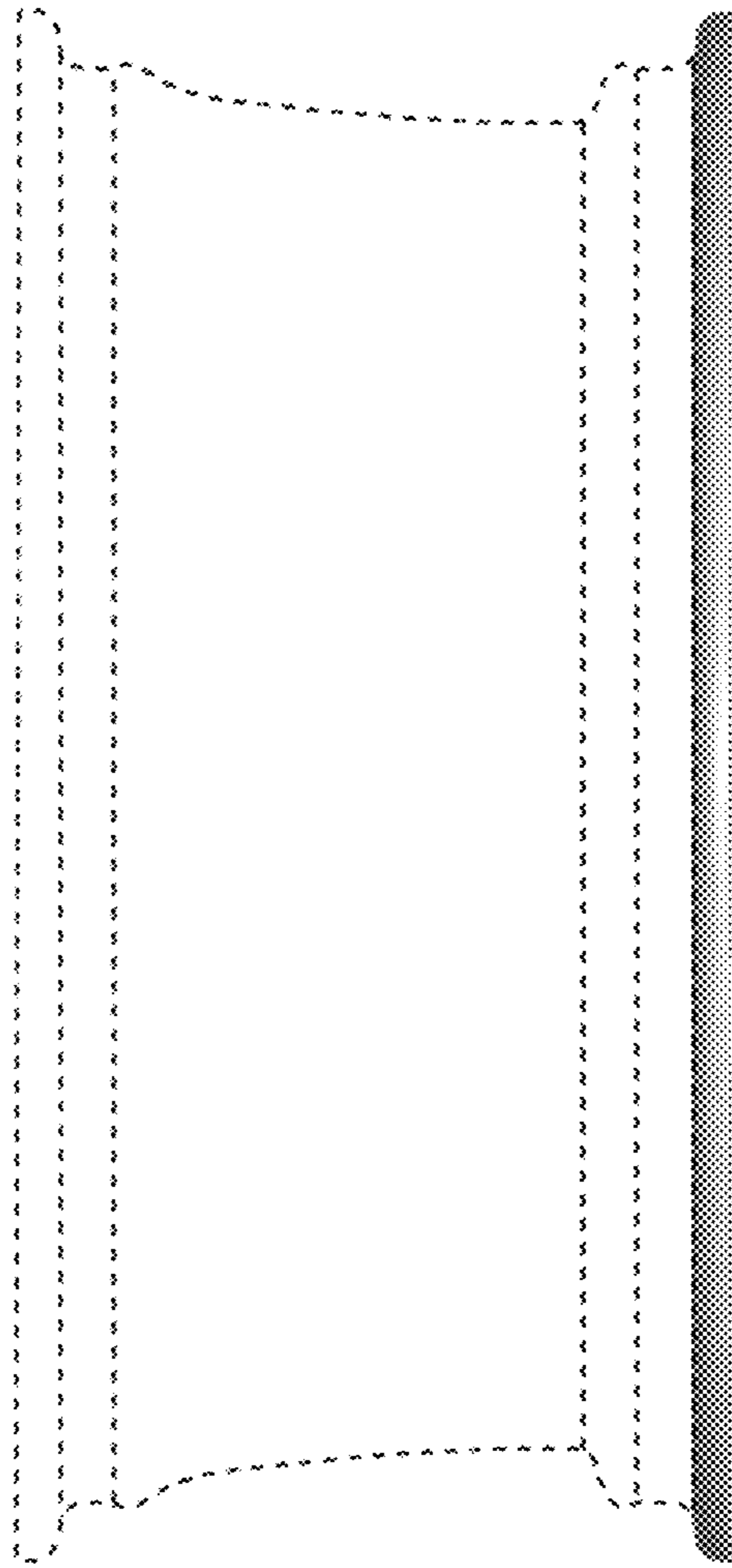


FIG. 7

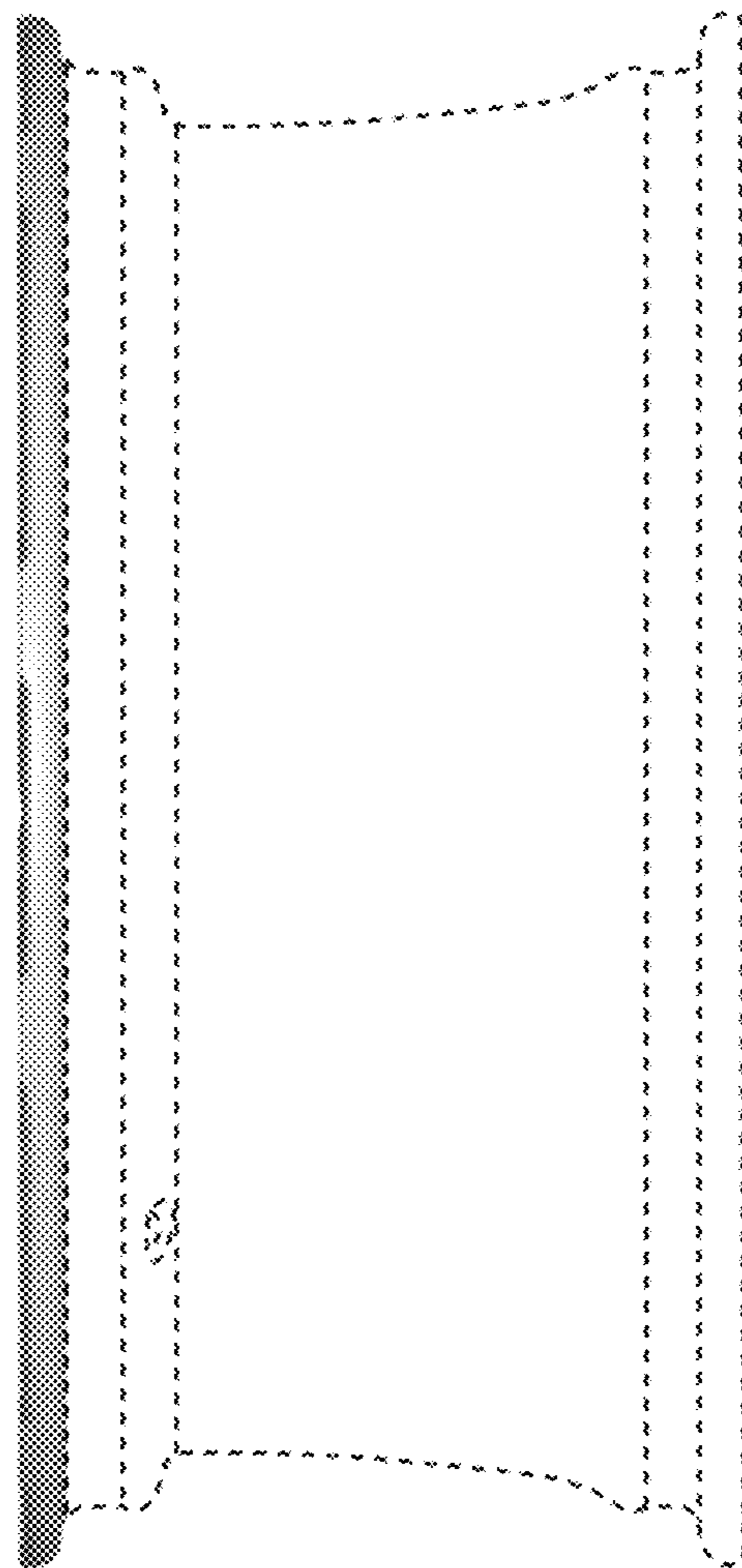


FIG. 8

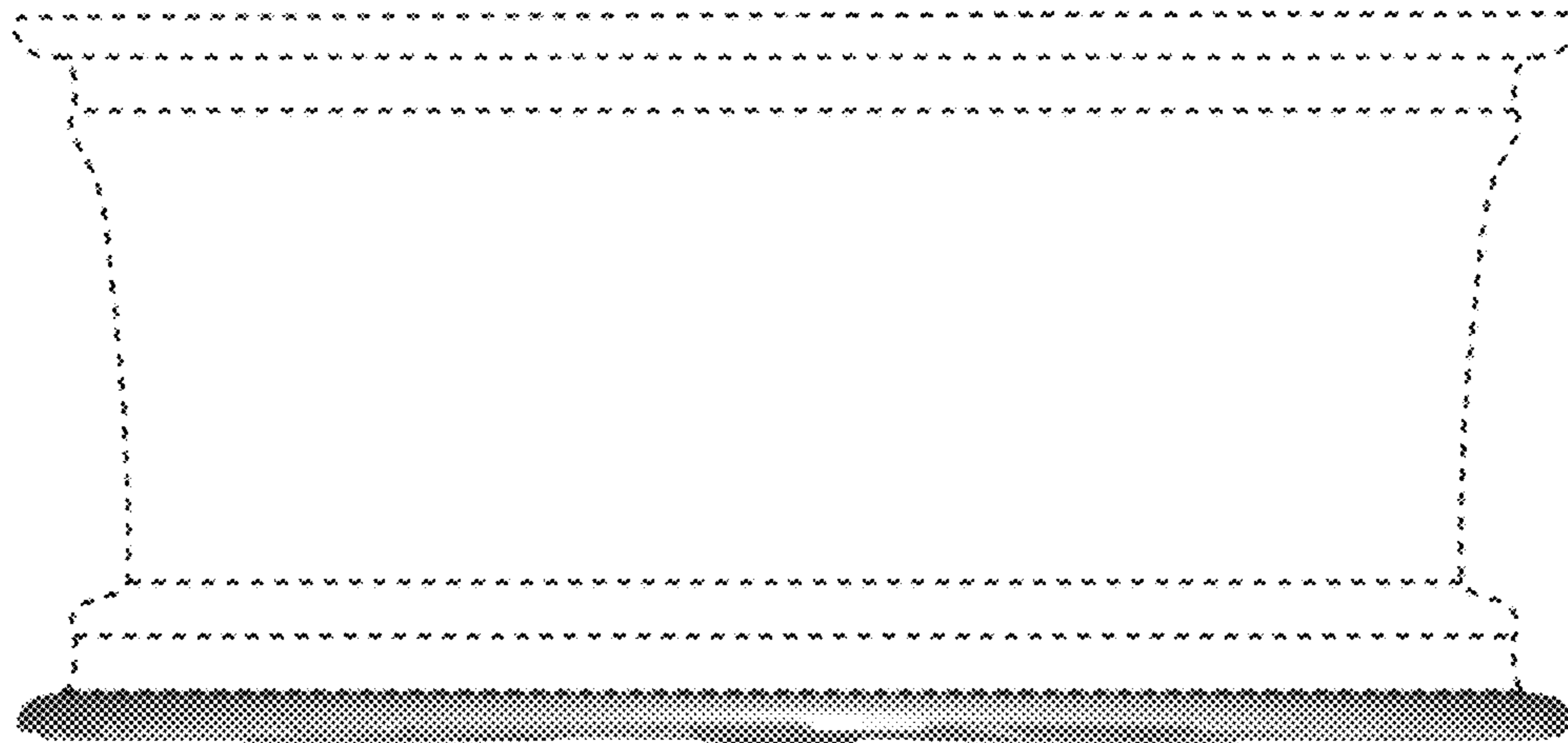


FIG. 9

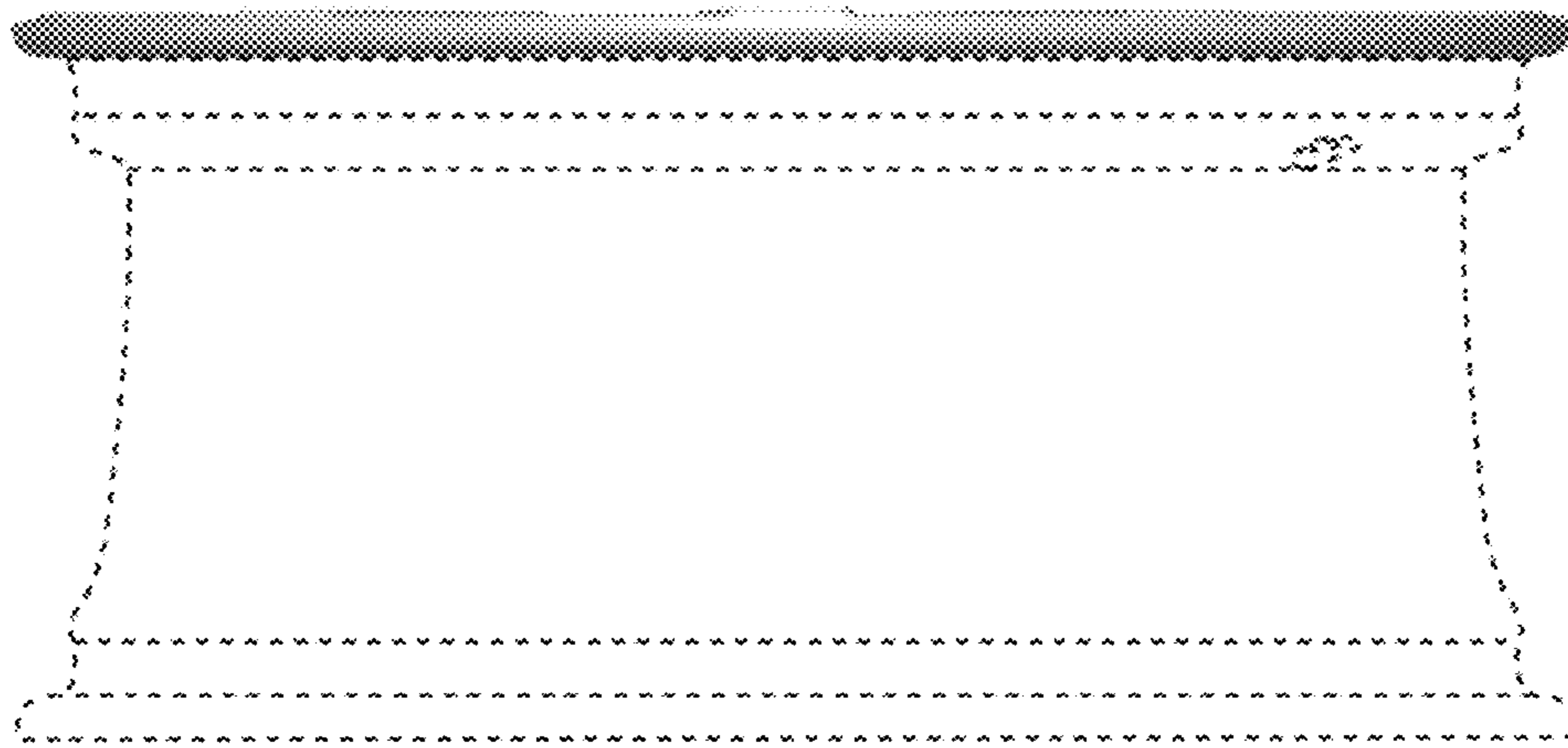


FIG. 10