



US00D856251S

(12) **United States Design Patent**  
**Dewitt et al.**

(10) **Patent No.:** **US D856,251 S**

(45) **Date of Patent:** **\*\* Aug. 13, 2019**

(54) **VEHICLE WHEEL**

(71) Applicant: **Ford Global Technologies, LLC,**  
Dearborn, MI (US)

(72) Inventors: **David Dewitt,** Docklands (AU); **Todd Willing,** East Melbourne (AU); **Max Wolff,** Birmingham, MI (US); **Mark Wright,** Nunawading (AU)

(73) Assignee: **Ford Global Technologies, LLC,**  
Dearborn, MI (US)

(\*\*) Term: **15 Years**

(21) Appl. No.: **29/632,643**

(22) Filed: **Jan. 9, 2018**

(51) **LOC (12) Cl.** ..... **12-16**

(52) **U.S. Cl.**  
USPC ..... **D12/209**

(58) **Field of Classification Search**  
USPC ..... D12/204-213; D21/551, 563  
CPC .... B60B 7/00; B60B 7/02; B60B 7/04; B60B 7/06; B60B 3/02; B60B 3/04; B60B 3/06; B60B 3/10  
See application file for complete search history.

(56) **References Cited**

**U.S. PATENT DOCUMENTS**

D419,946 S \* 2/2000 Goplen ..... D12/211  
D643,356 S \* 8/2011 Gotschke ..... D12/209

D644,587 S \* 9/2011 Gotschke ..... D12/209  
D673,096 S \* 12/2012 Platto ..... D12/209  
D763,764 S \* 8/2016 Dunford ..... D12/209  
D791,047 S \* 7/2017 Bucher ..... D12/211  
D820,184 S \* 6/2018 Bucher ..... D12/209

**FOREIGN PATENT DOCUMENTS**

TW D177415 8/2016

\* cited by examiner

*Primary Examiner* — Sheryl Lane

(74) *Attorney, Agent, or Firm* — LeClairRyan

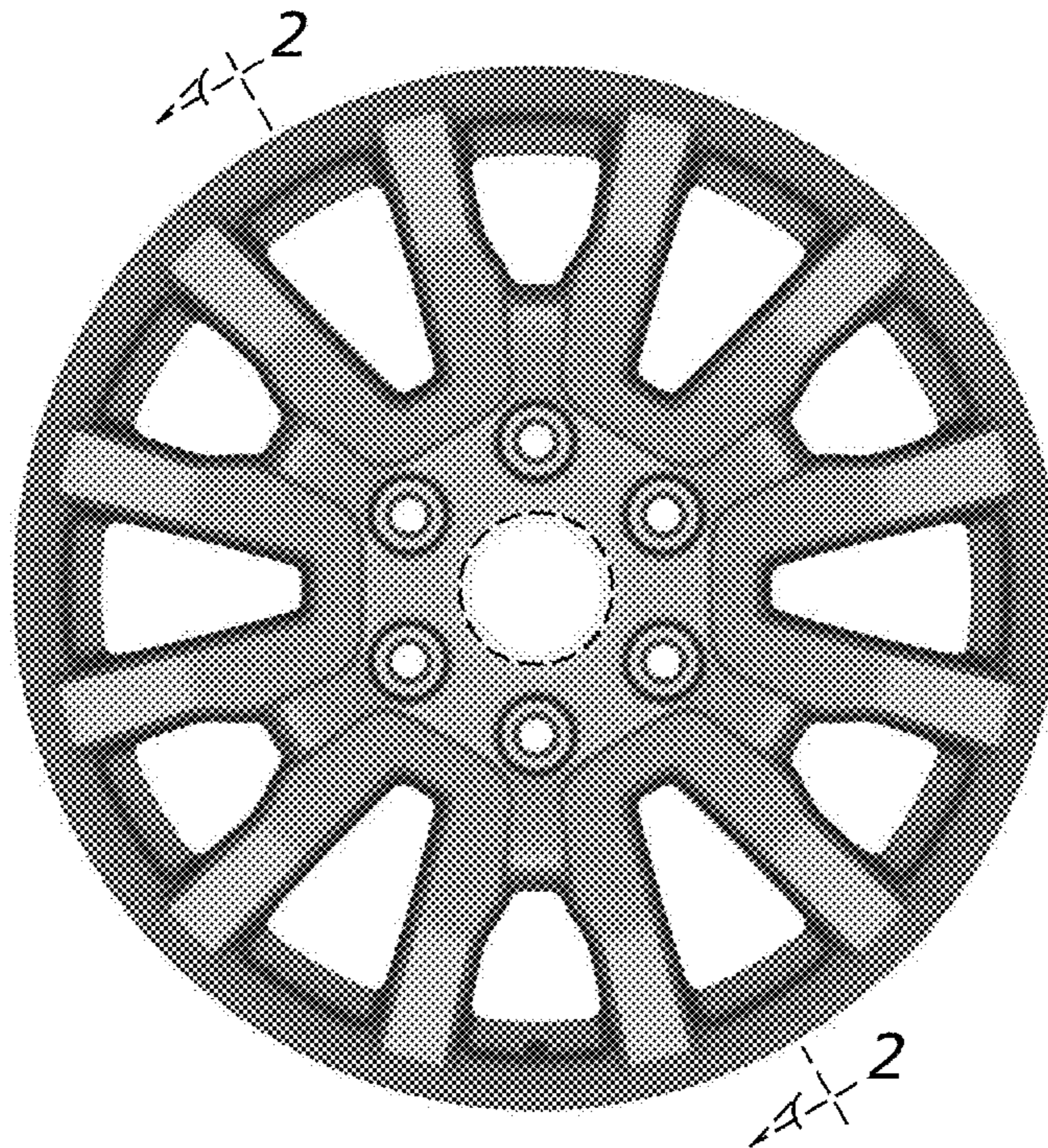
(57) **CLAIM**

The ornamental design for a vehicle wheel, as shown and described.

**DESCRIPTION**

FIG. 1 is a front elevational view of a vehicle wheel showing our new design;  
FIG. 2 is a cross sectional side view thereof; and,  
FIG. 3 is a side perspective view of a front face thereof.  
Any broken lines represent an internal boundary of the design; the line itself and the area within form no part of the claim.

**1 Claim, 3 Drawing Sheets**



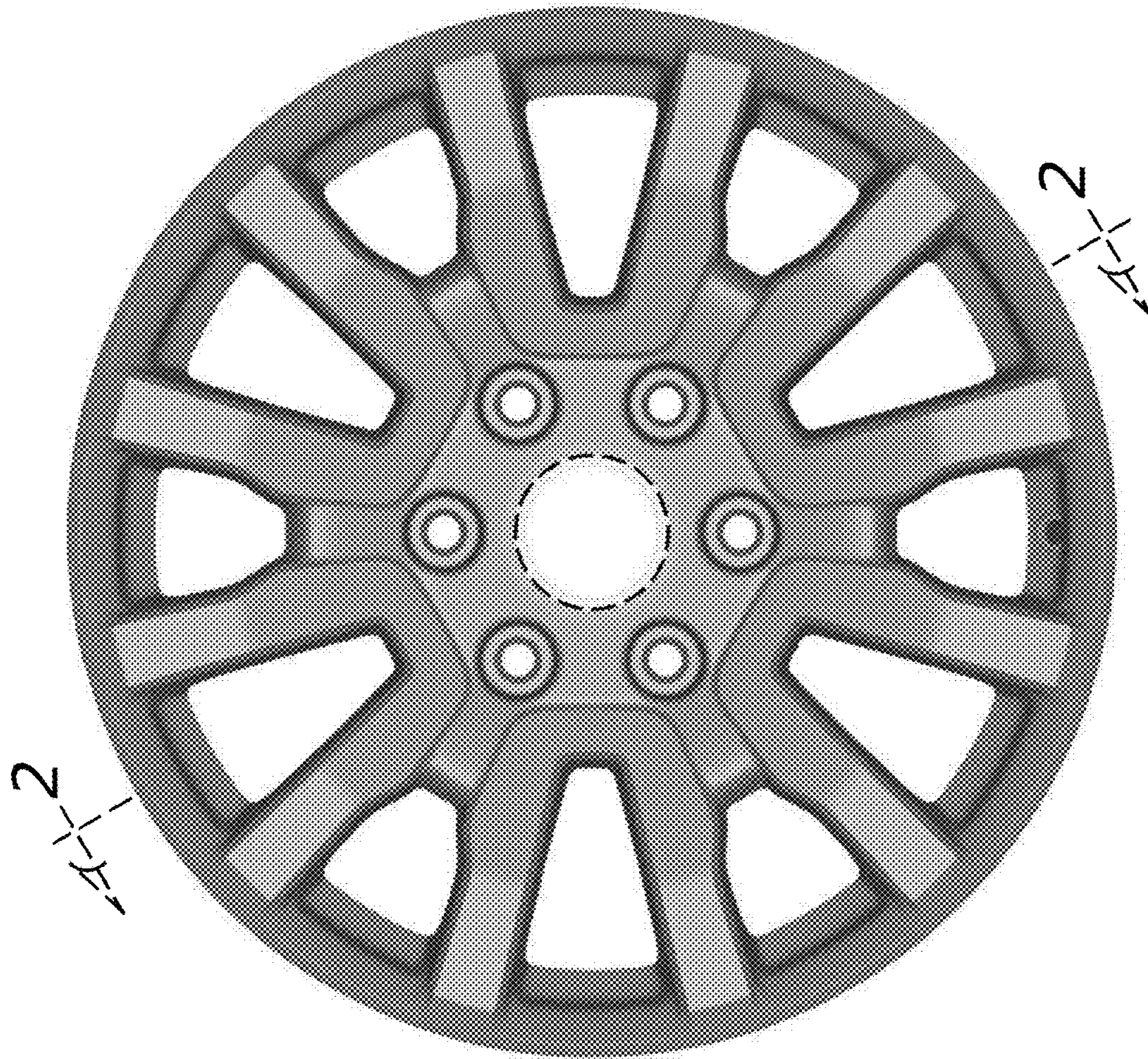


Fig. 1

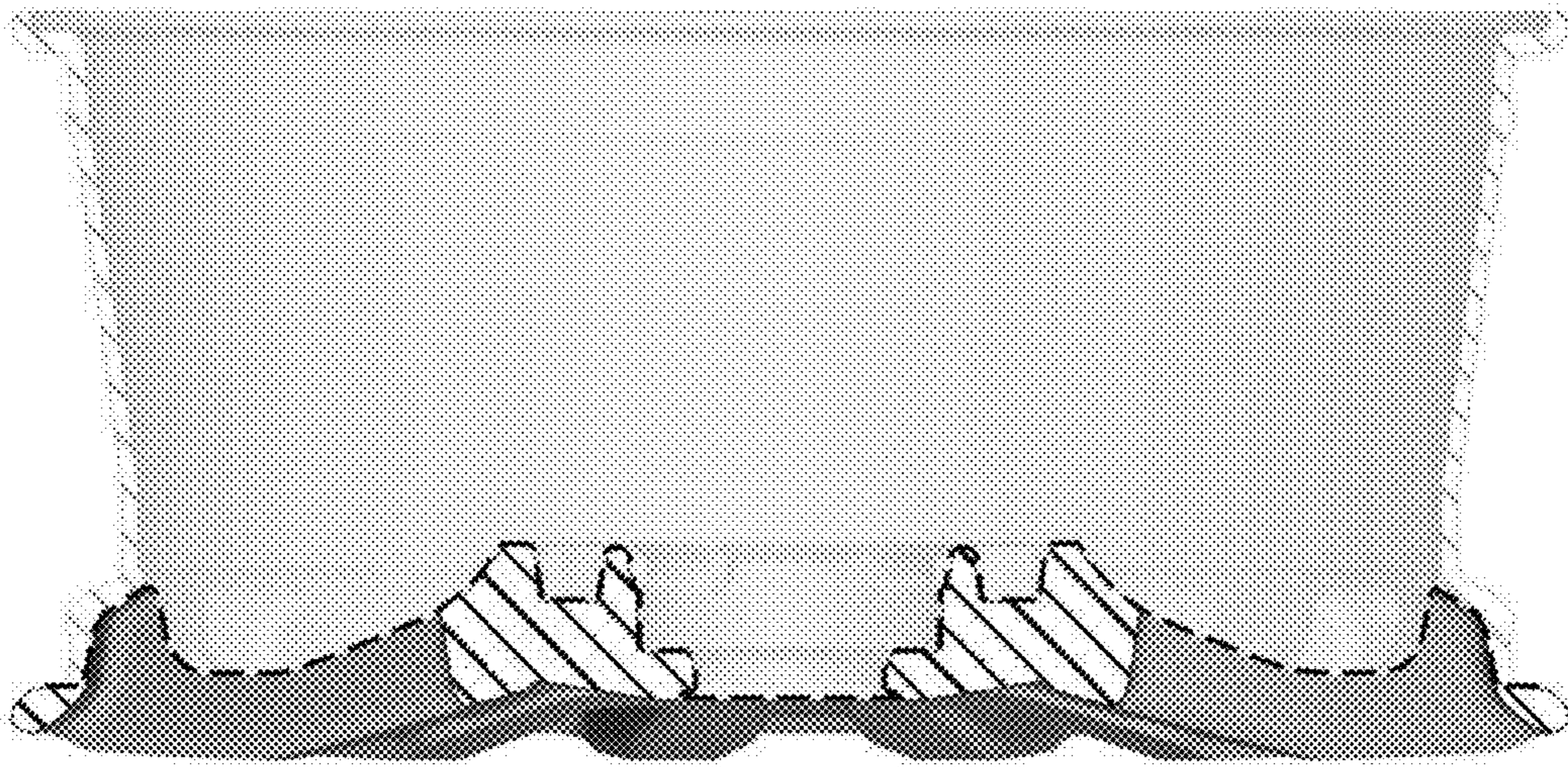


Fig. 2



Fig. 3