

US00D856247S

(12) **United States Design Patent**
Smock

(10) **Patent No.:** **US D856,247 S**

(45) **Date of Patent:** **** Aug. 13, 2019**

(54) **WHEEL**

(71) Applicant: **HONDA MOTOR CO., LTD.**,
Minato-ku, Tokyo (JP)

(72) Inventor: **Randall Smock**, Redondo Beach, CA
(US)

(73) Assignee: **HONDA MOTOR CO., LTD.**, Tokyo
(JP)

(**) Term: **15 Years**

(21) Appl. No.: **29/622,659**

(22) Filed: **Oct. 18, 2017**

(51) **LOC (12) Cl.** **12-16**

(52) **U.S. Cl.**
USPC **D12/209**

(58) **Field of Classification Search**
USPC D12/204–213
CPC B60B 7/00; B60B 7/02; B60B 7/04; B60B
7/01; B60B 7/06; B60B 3/04; B60B 1/00;
B60B 3/10; B60B 1/10; B60B 1/08;
B60B 3/06; B60B 1/12; B60B 3/02
See application file for complete search history.

(56) **References Cited**

U.S. PATENT DOCUMENTS

D616,799 S *	6/2010	Zhao	D12/209
D678,157 S *	3/2013	Perini	D12/209
D725,568 S *	3/2015	Hodges	D12/209
D725,569 S *	3/2015	Komukai	D12/209
D754,048 S *	4/2016	Starr, Jr.	D12/209

D755,692 S *	5/2016	Nakahara	D12/209
D757,626 S *	5/2016	Bridan	D12/209
D770,351 S *	11/2016	Choi	D12/209
D804,388 S *	12/2017	Snyder	D12/209
D826,825 S *	8/2018	Kawaguchi	D12/209
D826,826 S *	8/2018	Back	D12/209
D836,054 S *	12/2018	Kikuchi	D12/209
D842,198 S *	3/2019	Han	D12/209

* cited by examiner

Primary Examiner — Stacia A Cadmus

(74) *Attorney, Agent, or Firm* — Arent Fox LLP

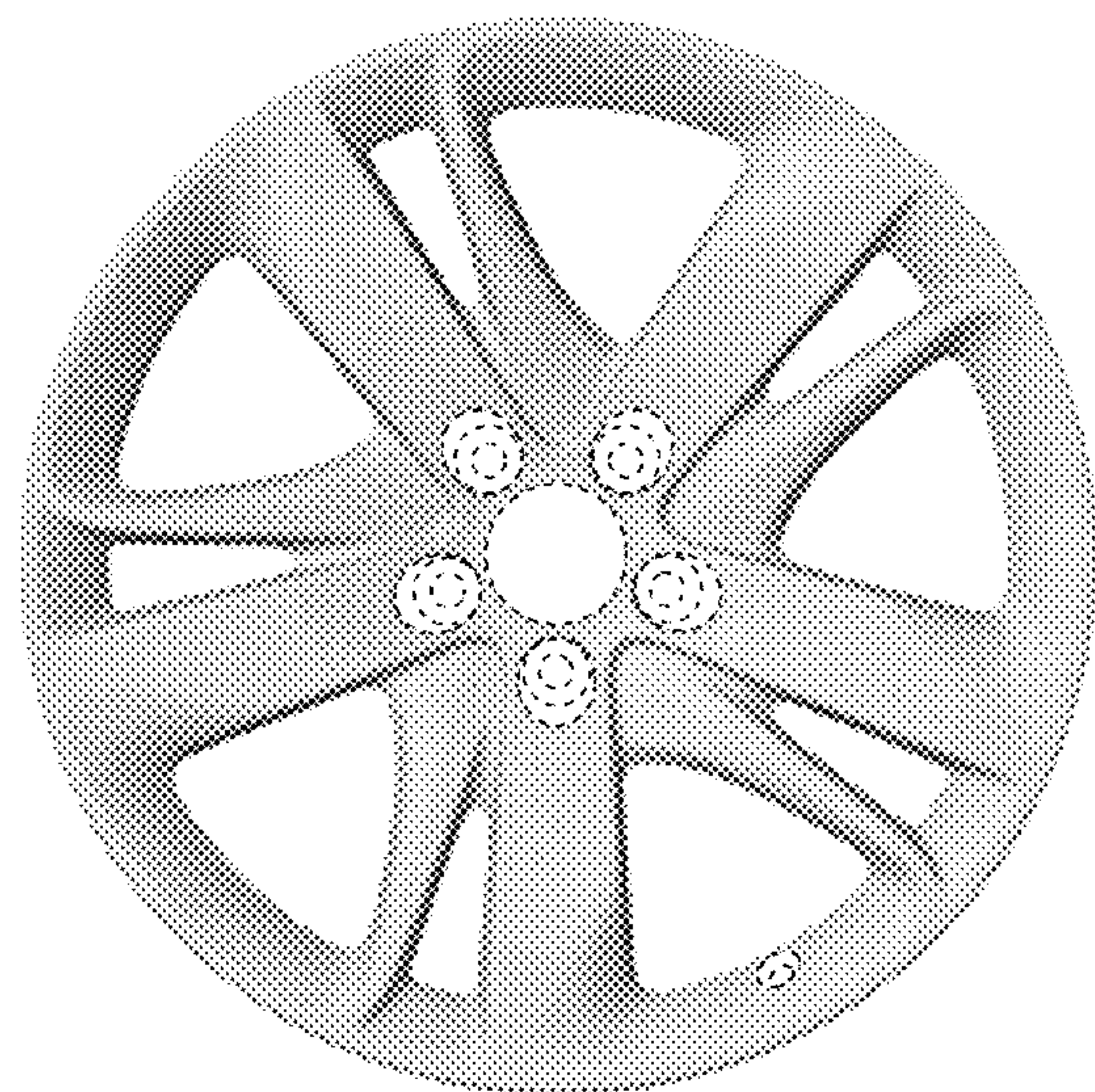
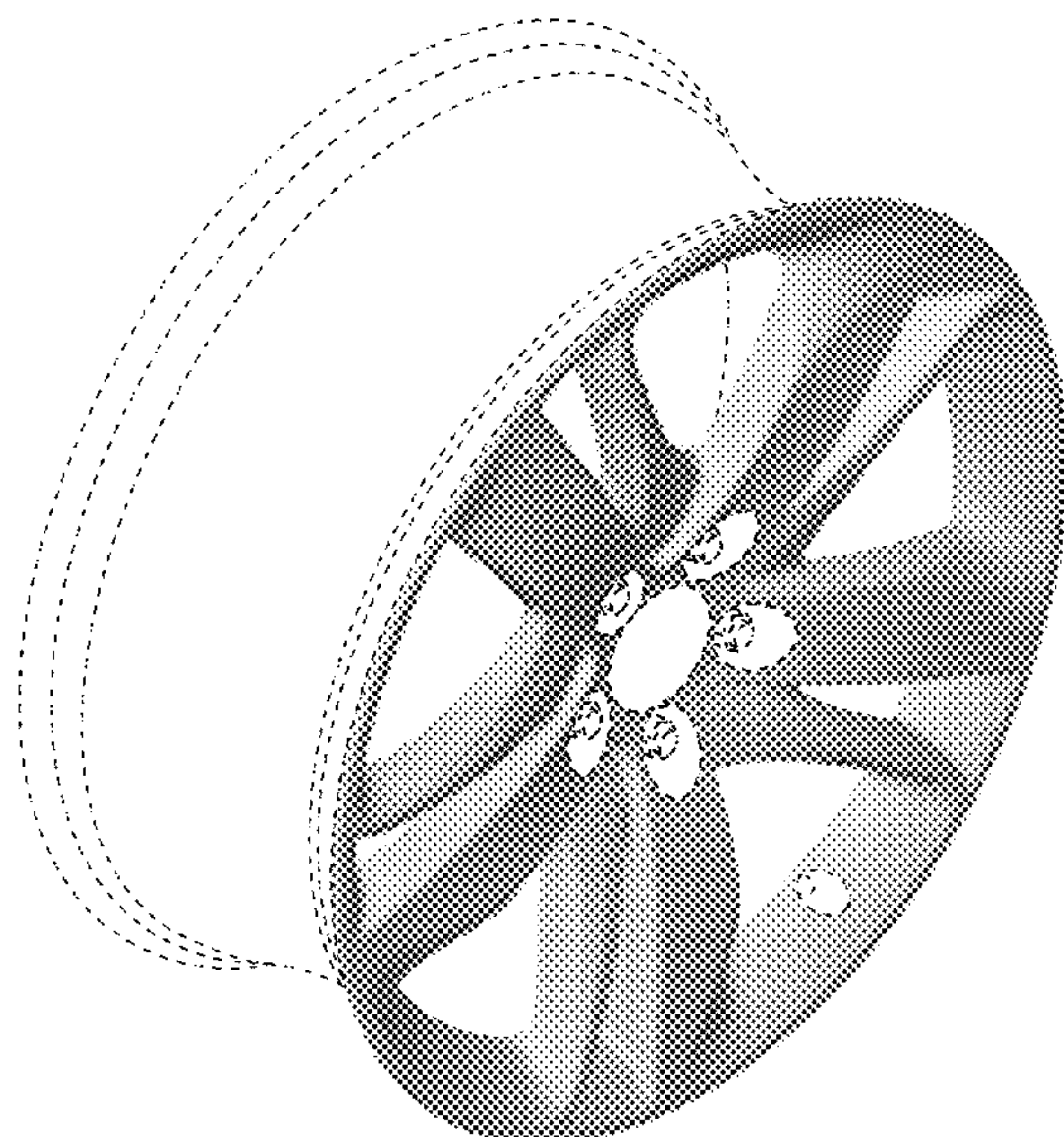
(57) **CLAIM**

The ornamental design for a wheel, as shown and described.

DESCRIPTION

FIG. 1 is a front left perspective view of a wheel showing my new design;
 FIG. 2 is a front right perspective view of the design shown in FIG. 1;
 FIG. 3 is a rear left perspective view of the design shown in FIG. 1;
 FIG. 4 is a rear right perspective view of the design shown in FIG. 1;
 FIG. 5 is a front view of the design shown in FIG. 1;
 FIG. 6 is a rear view of the design shown in FIG. 1;
 FIG. 7 is a left side view of the design shown in FIG. 1;
 FIG. 8 is a right side view of the design shown in FIG. 1;
 FIG. 9 is a top view of the design shown in FIG. 1; and,
 FIG. 10 is a bottom view of the design shown in FIG. 1.
 The broken lines shown in the figures are included for the purpose of illustrating portions of the wheel and form no part of the claimed design.

1 Claim, 10 Drawing Sheets



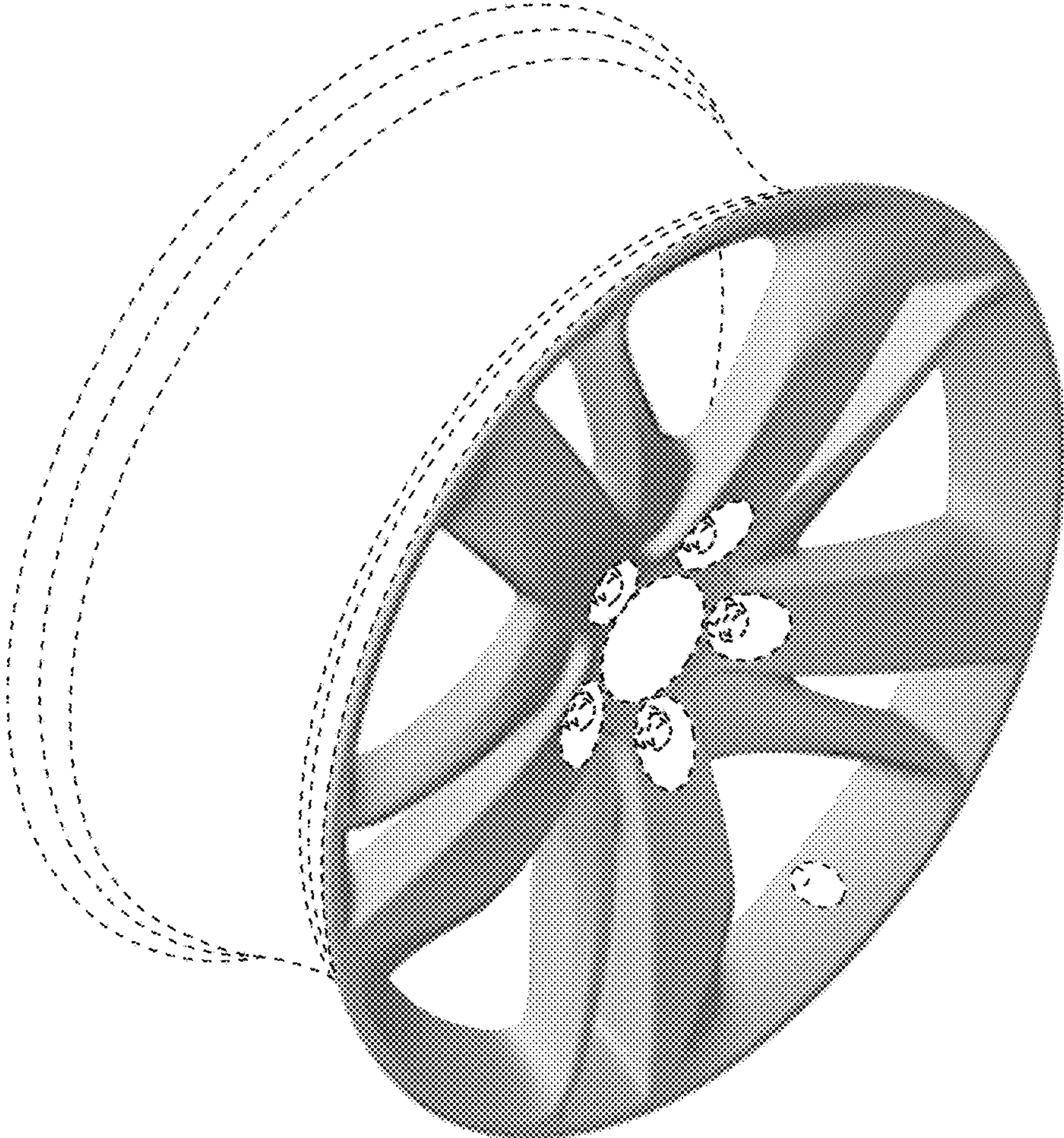


FIG. 1

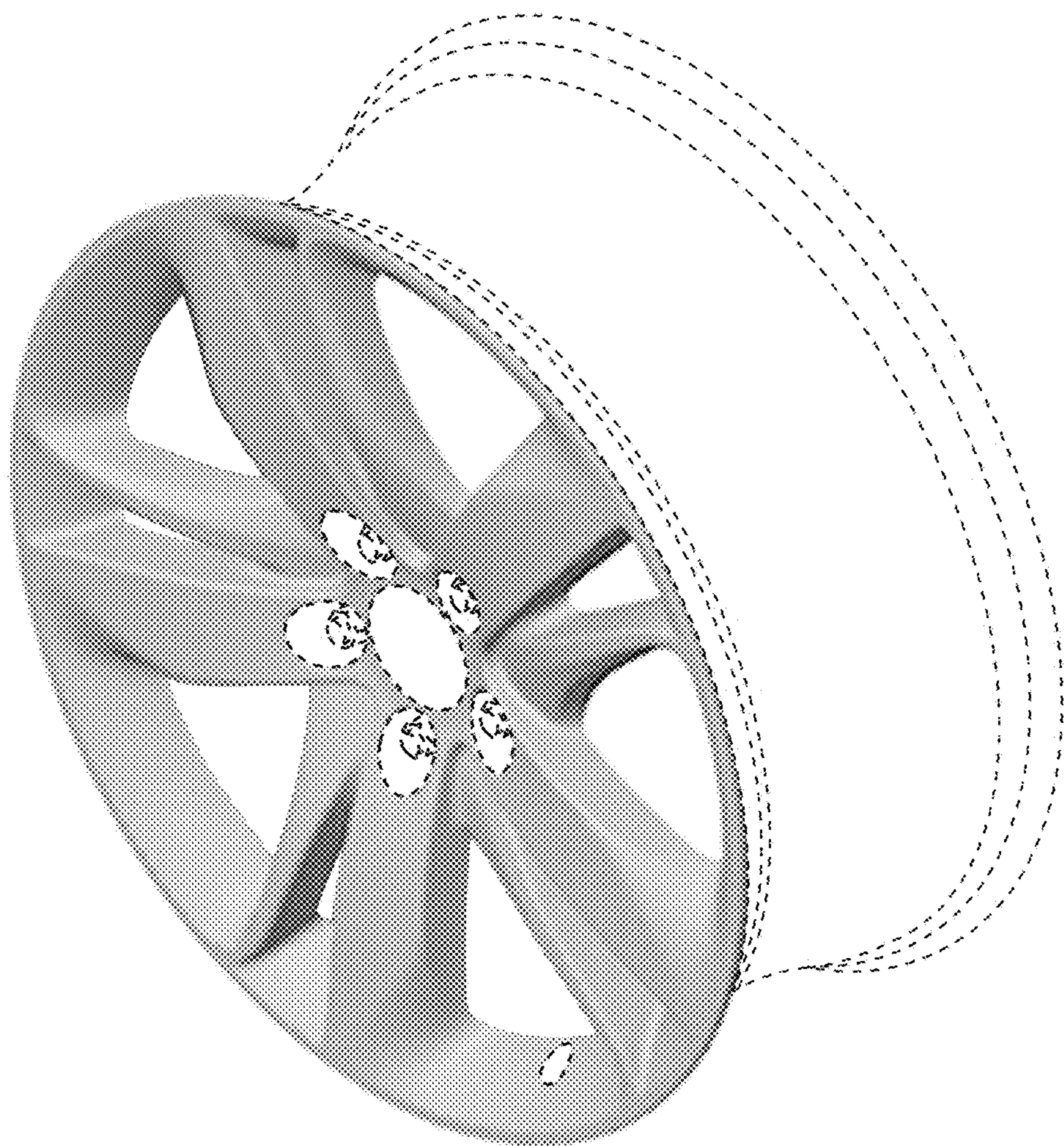


FIG. 2

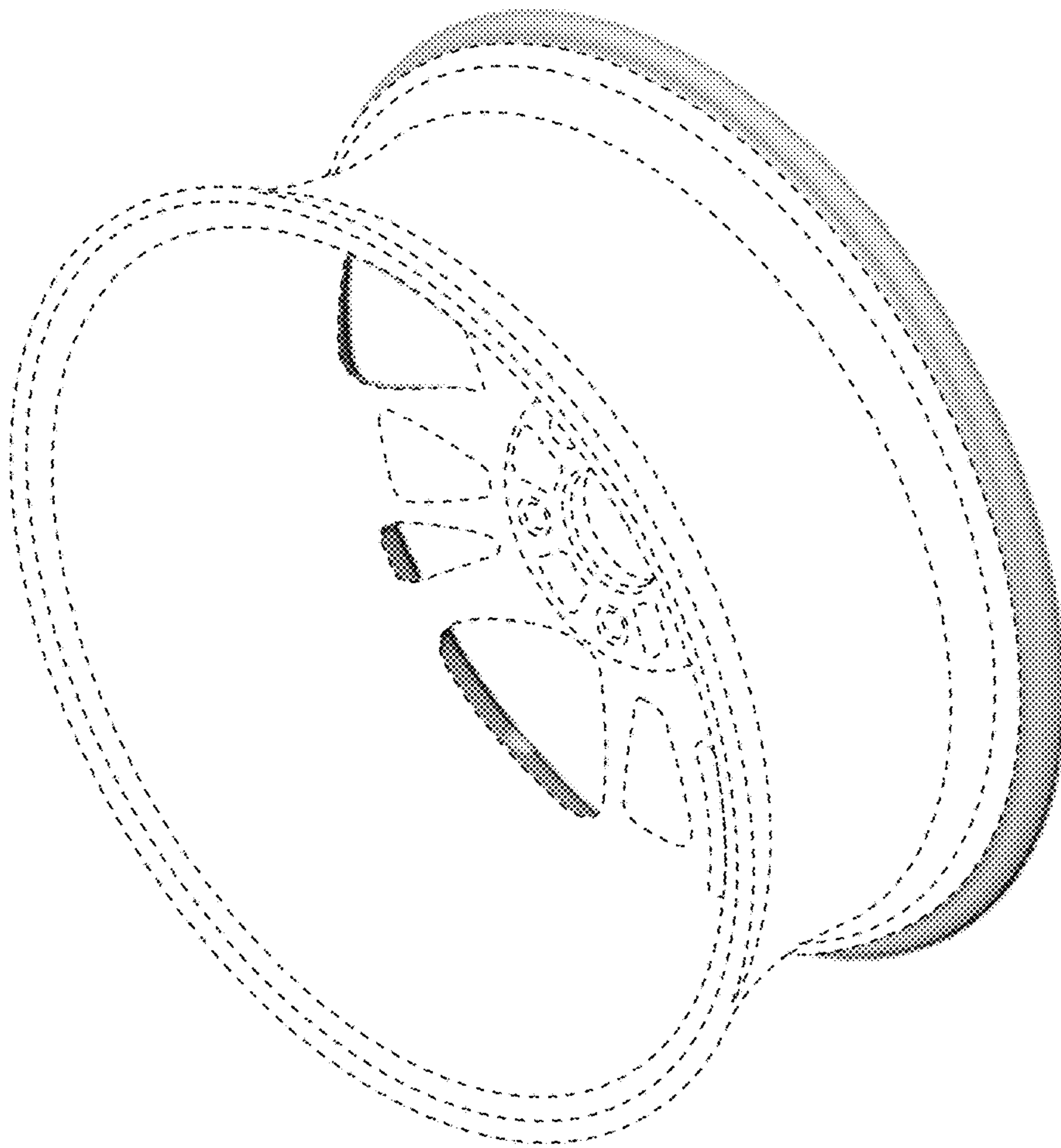


FIG. 3

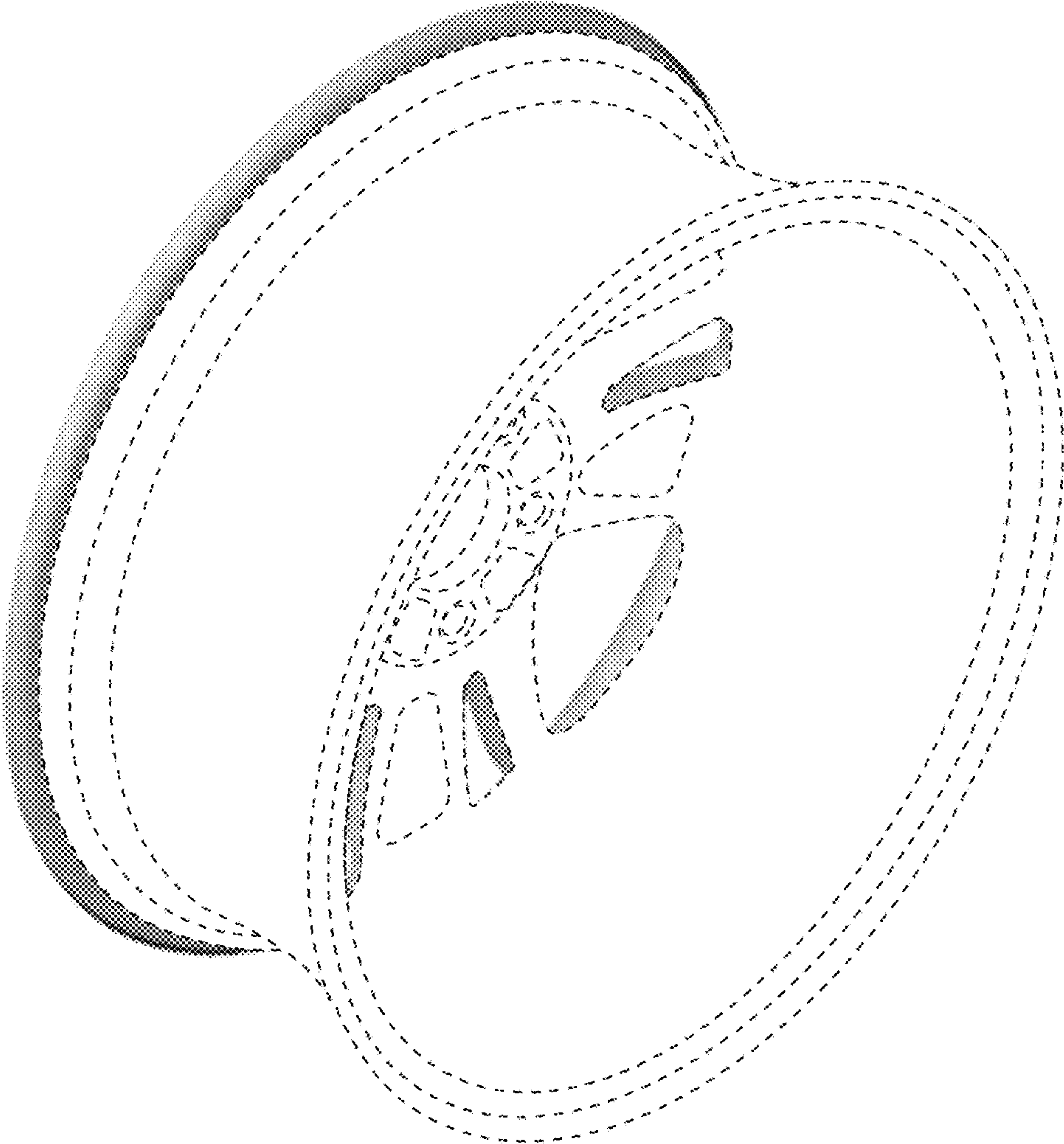


FIG. 4



FIG. 5

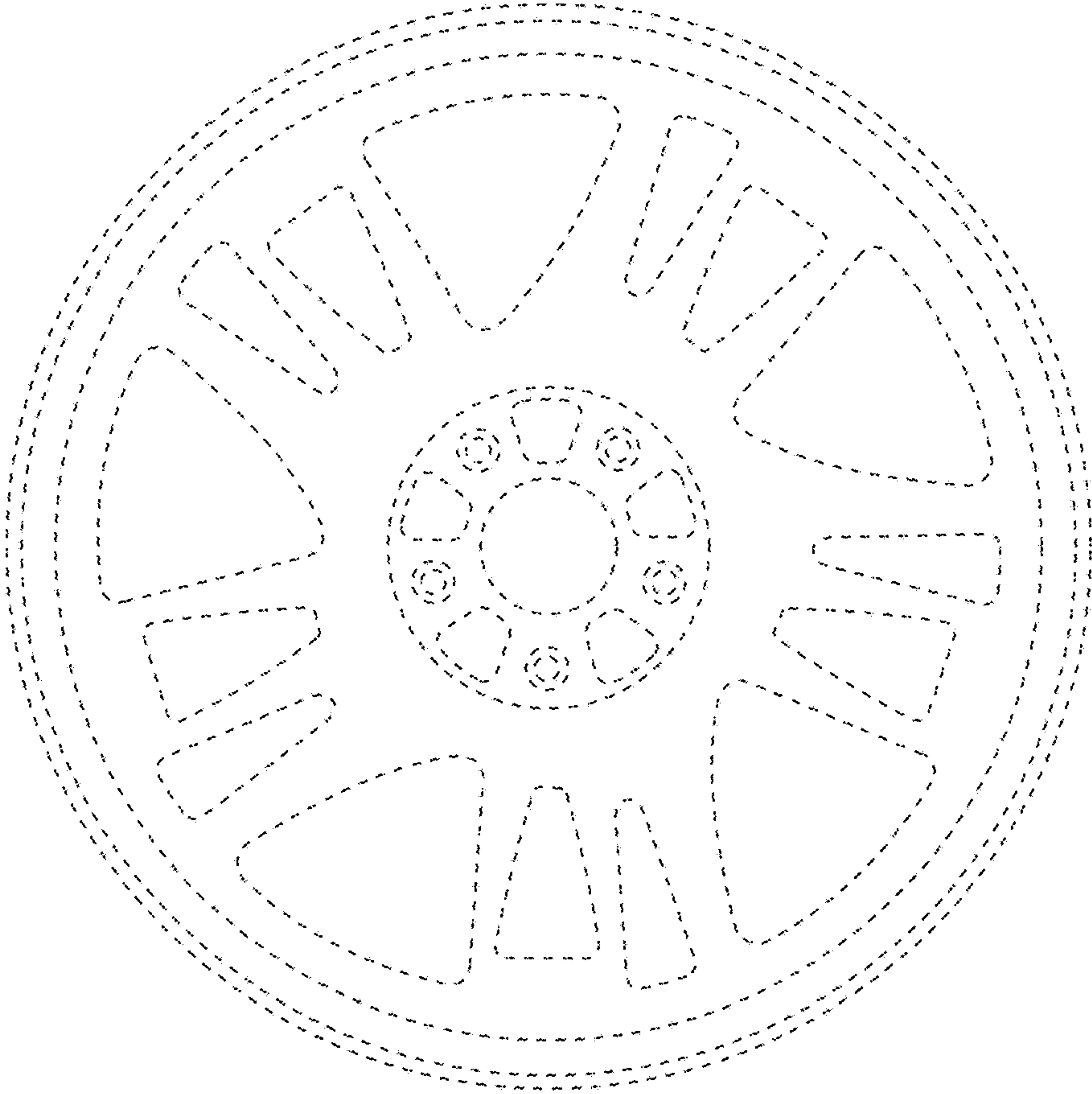


FIG. 6

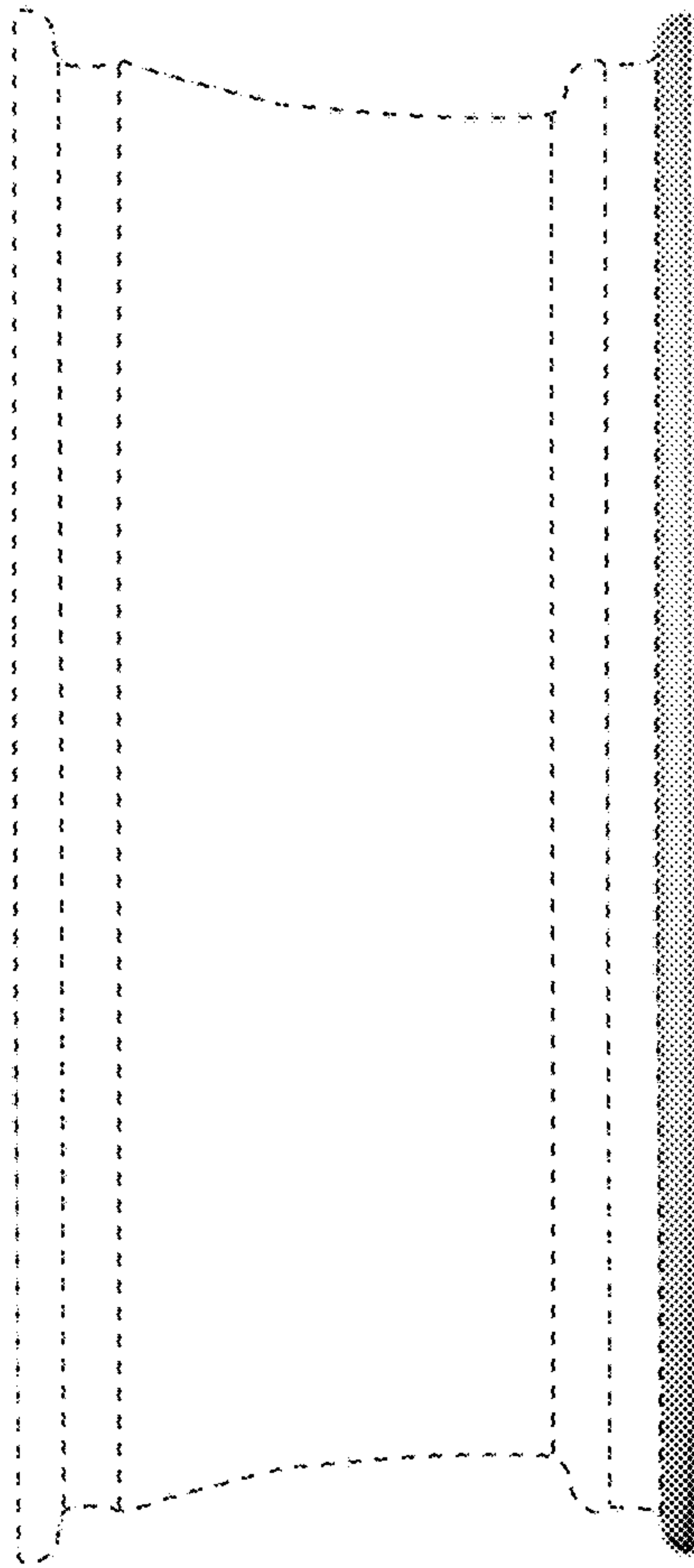


FIG. 7

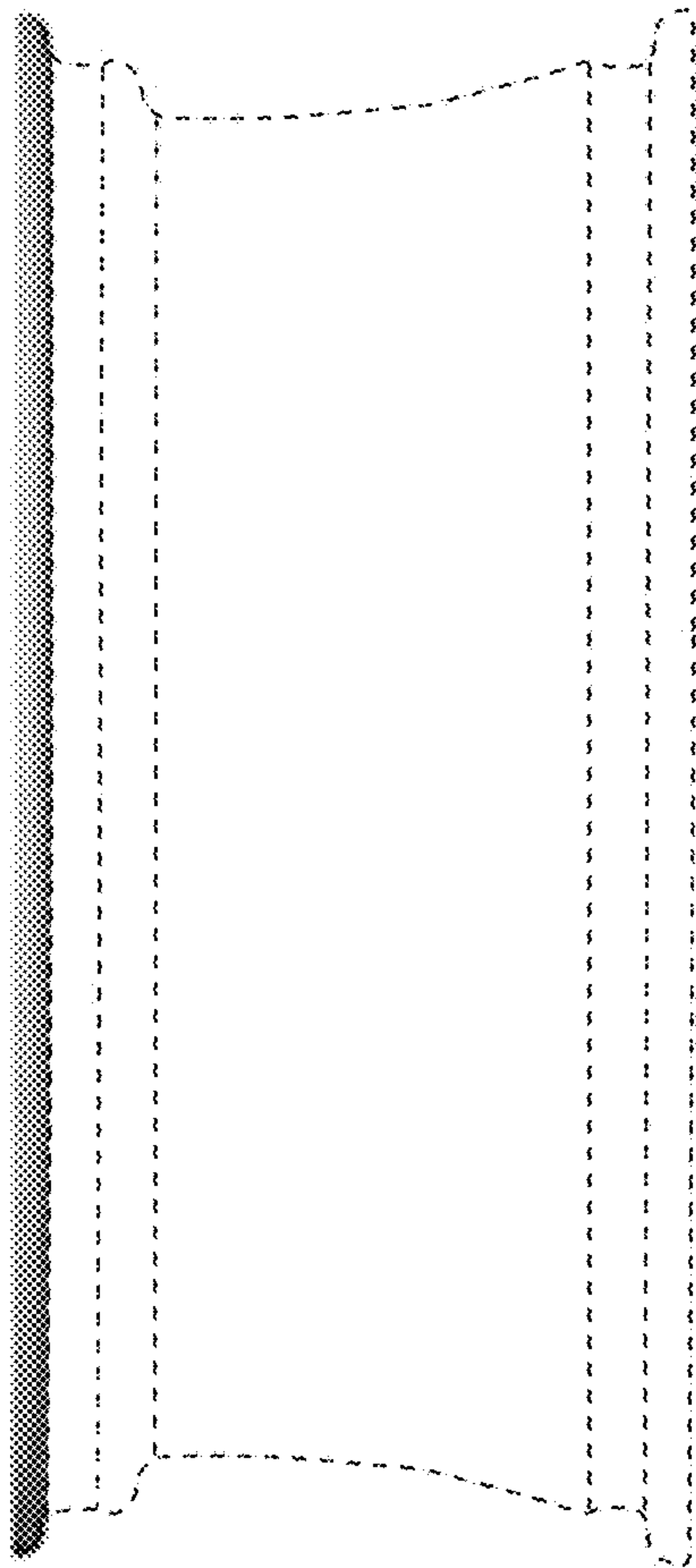


FIG. 8

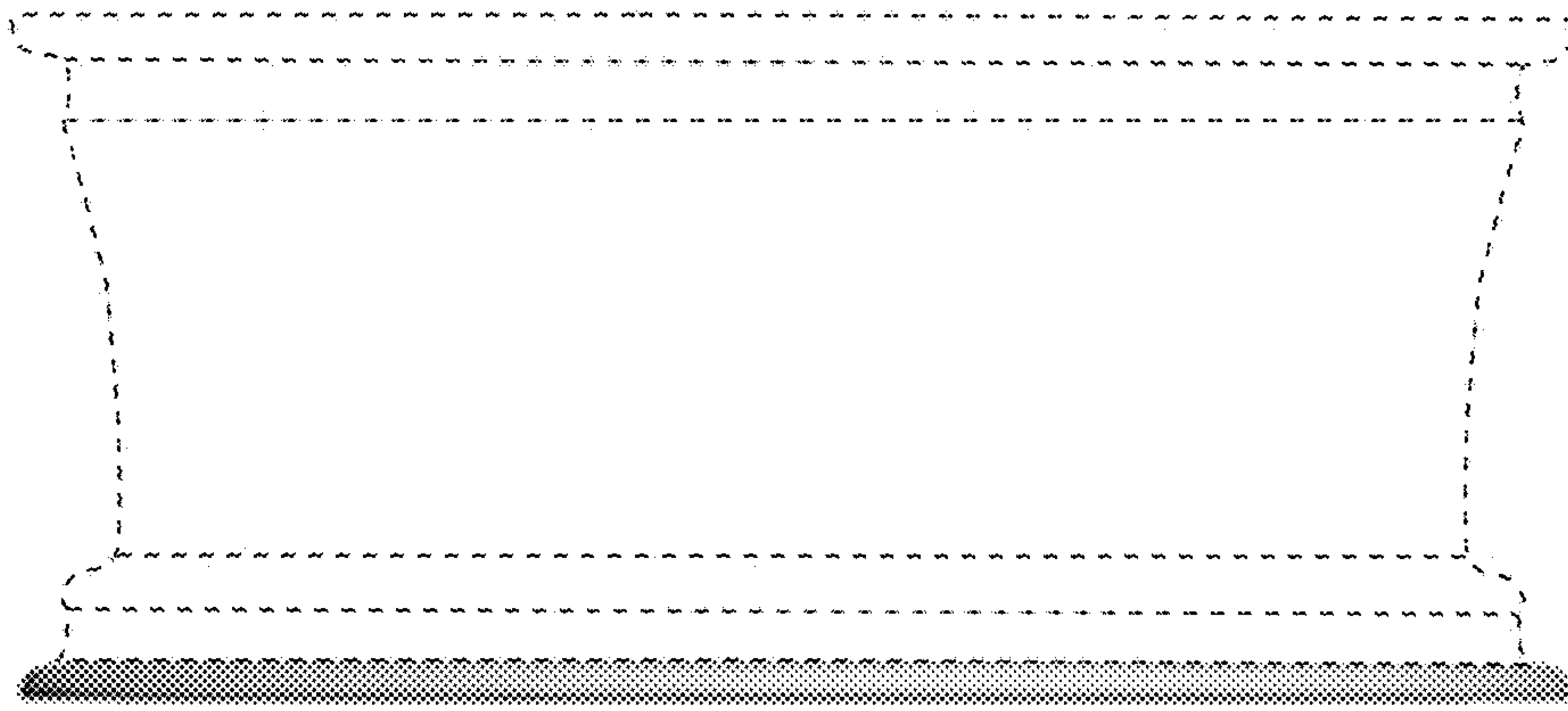


FIG. 9

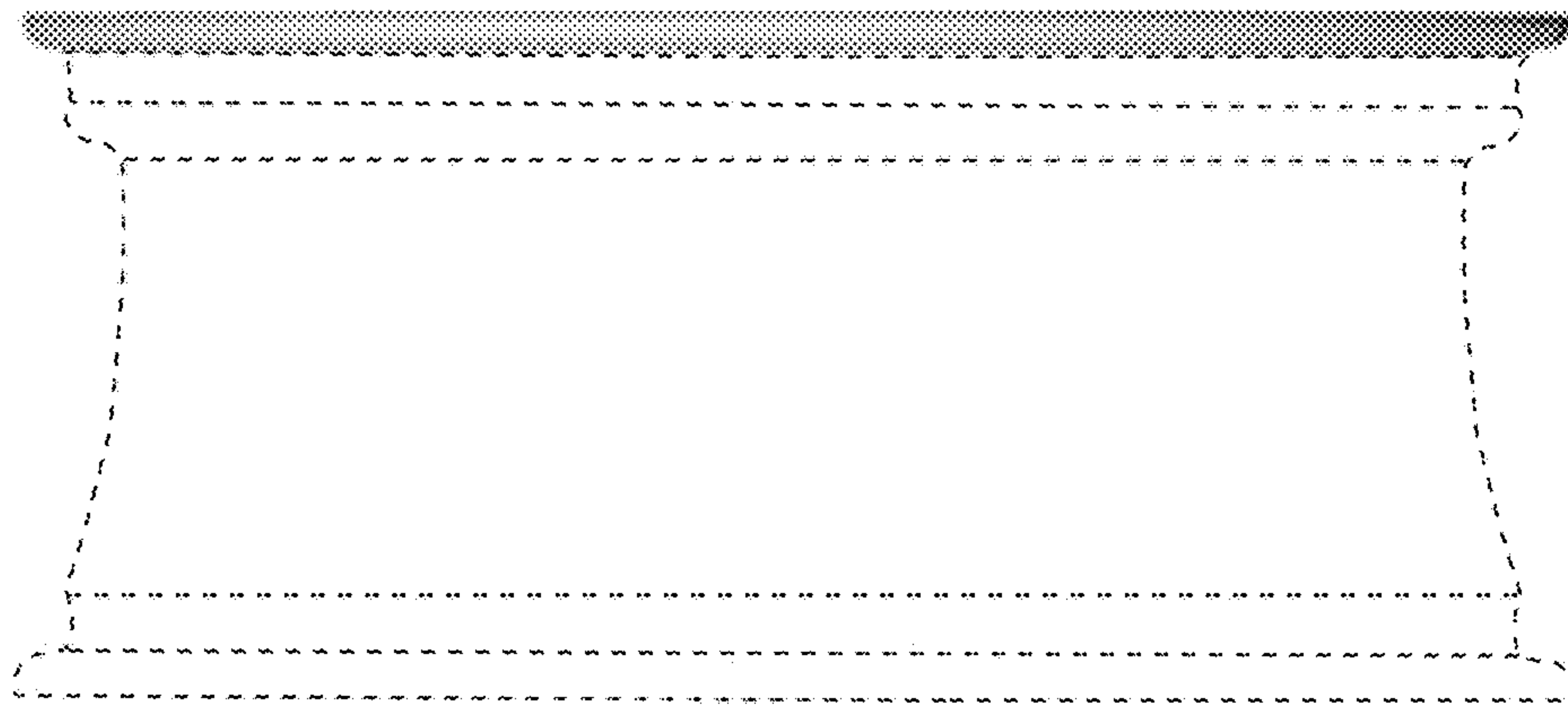


FIG. 10