



US00D856243S

(12) **United States Design Patent** (10) **Patent No.:** **US D856,243 S**
Woodhouse et al. (45) **Date of Patent:** **** Aug. 13, 2019**

(54) **VEHICLE LIFTGATE**
(71) Applicant: **Ford Global Technologies, LLC**,
Dearborn, MI (US)
(72) Inventors: **David Woodhouse**, Troy, MI (US);
Kemal Curic, Irvine, CA (US); **Xitij**
Mistry, Ann Arbor, MI (US)
(73) Assignee: **Ford Global Technologies, LLC**,
Dearborn, MI (US)
(**) Term: **15 Years**
(21) Appl. No.: **29/641,745**
(22) Filed: **Mar. 23, 2018**
(51) **LOC (12) Cl.** **12-16**
(52) **U.S. Cl.**
USPC **D12/196**
(58) **Field of Classification Search**
USPC D12/86, 88, 89, 90, 91, 92, 169, 171,
D12/183, 196, 216, 400; D21/424-425,
D21/433-434; 296/181.1, 181.2, 181.5
CPC B62D 25/00; B62D 25/02; B62D 33/0273;
B62D 33/03; B62D 33/037; B62D 25/08;
B62D 25/10
See application file for complete search history.

(56) **References Cited**
U.S. PATENT DOCUMENTS
D499,357 S * 12/2004 Velazco D12/91
D710,253 S * 8/2014 Suzuki D12/91
D711,286 S * 8/2014 Suzuki D12/91
D766,795 S * 9/2016 Kim D12/196
D783,482 S * 4/2017 Smith D12/196

D790,400 S * 6/2017 Zavatski D12/91
D797,632 S * 9/2017 Zipfel D12/196
D803,123 S * 11/2017 Granlund D12/196
D805,433 S * 12/2017 Scheinhutte D12/91
D805,985 S * 12/2017 Nakamura D12/196
D807,227 S * 1/2018 Chen D12/91
D816,003 S * 4/2018 Perkins D12/184
D823,210 S * 7/2018 Simm D12/196
D823,761 S * 7/2018 Luk D12/196
D823,763 S * 7/2018 Koo D12/196
D839,163 S * 1/2019 Pinazzo D12/196
2003/0141744 A1* 7/2003 Stewart B60J 5/0497
296/181.1
2017/0190309 A1* 7/2017 Herthan B60R 25/2054
2018/0043941 A1* 2/2018 Walser B60P 1/00

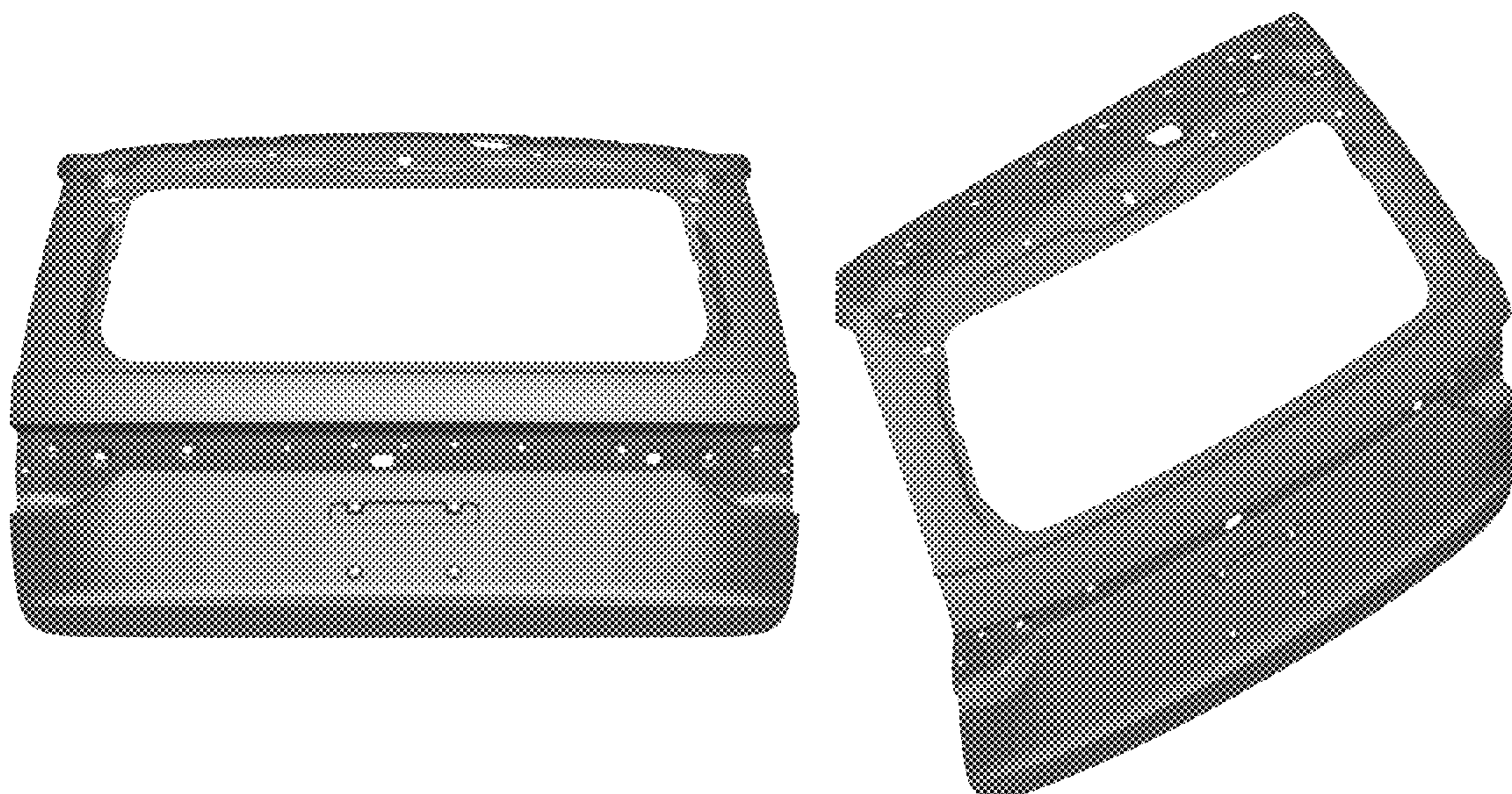
* cited by examiner

Primary Examiner — Ian Simmons
Assistant Examiner — Yolanda Robinson
(74) *Attorney, Agent, or Firm* — Vichit Chea

(57) **CLAIM**
The ornamental design for a vehicle liftgate, as shown and described.

DESCRIPTION
FIG. 1 is a front elevational view of a vehicle liftgate, showing our new design;
FIG. 2 is a left side elevational view thereof;
FIG. 3 is a right side elevational view thereof;
FIG. 4 is a top plan view thereof;
FIG. 5 is a bottom plan view thereof.
FIG. 6 is a top, front, and left side perspective view thereof; and,
FIG. 7 is a bottom, front, and left side perspective view thereof.

1 Claim, 7 Drawing Sheets



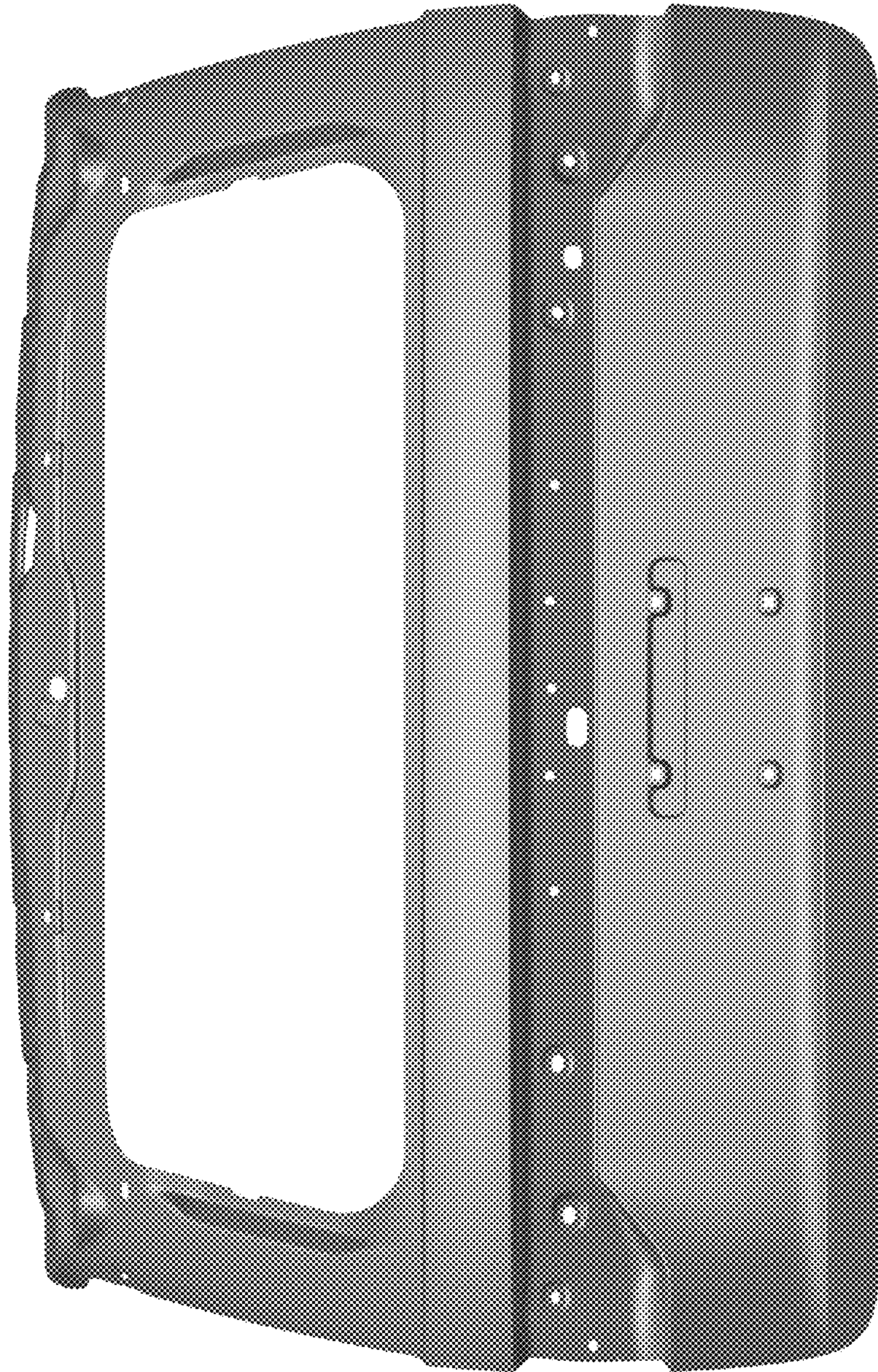


Fig. 1

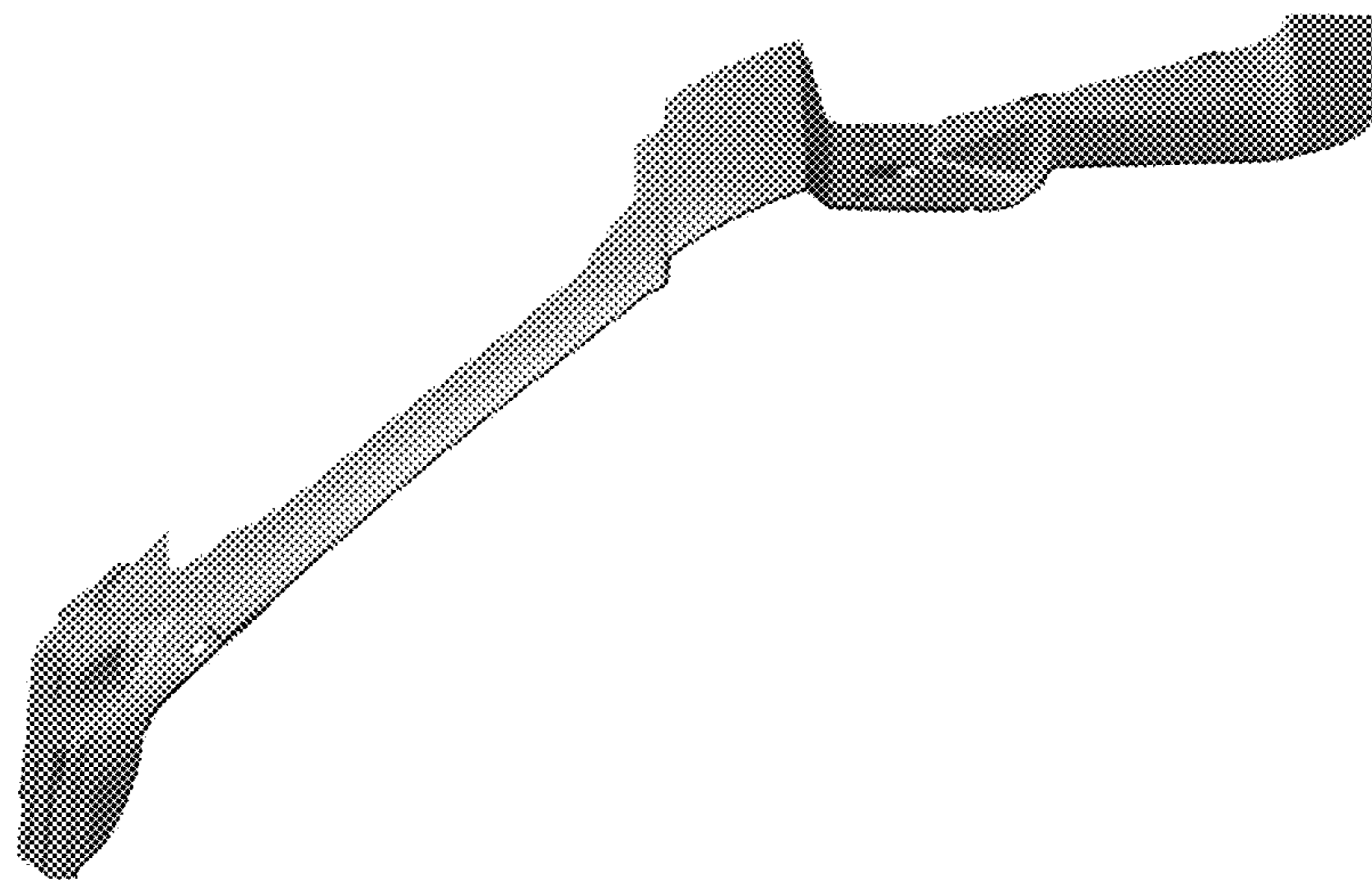


Fig. 2

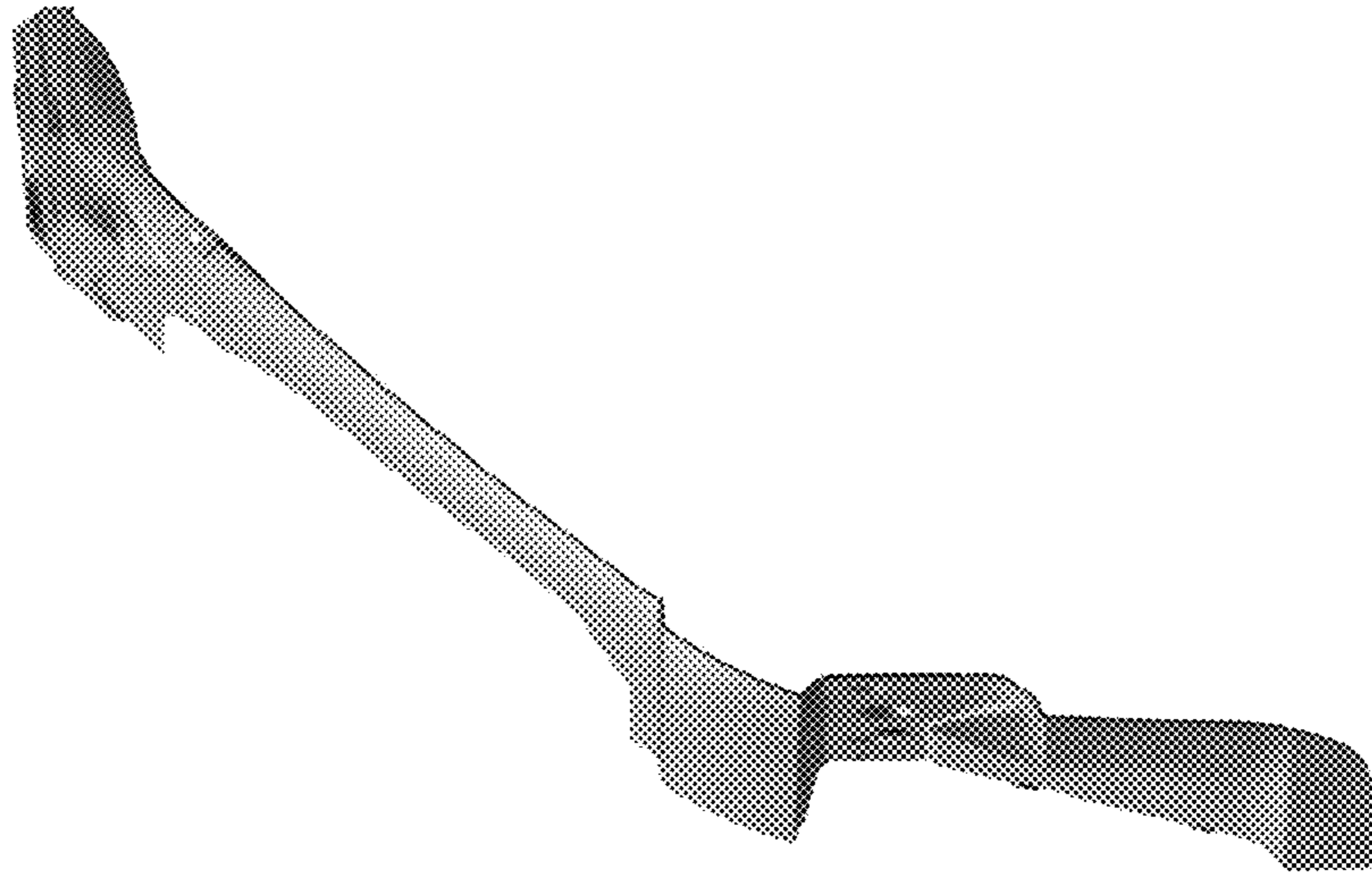


Fig. 3

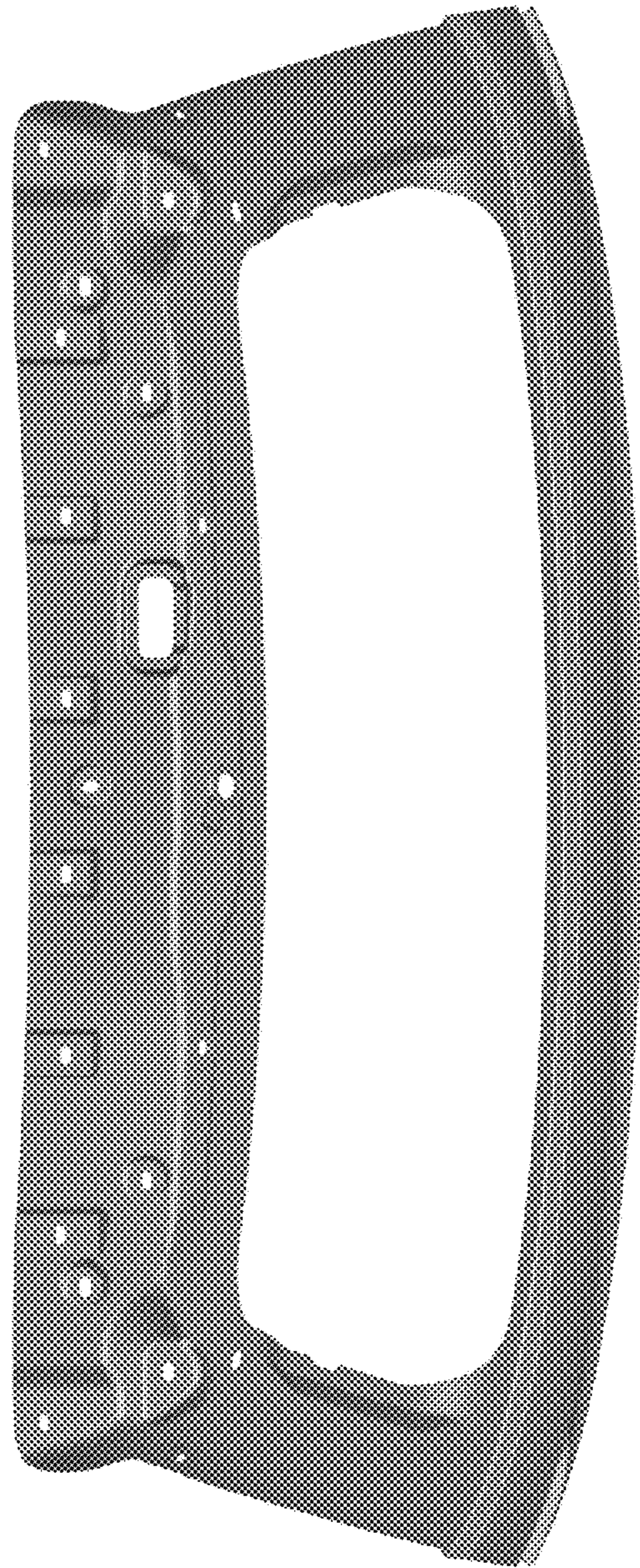
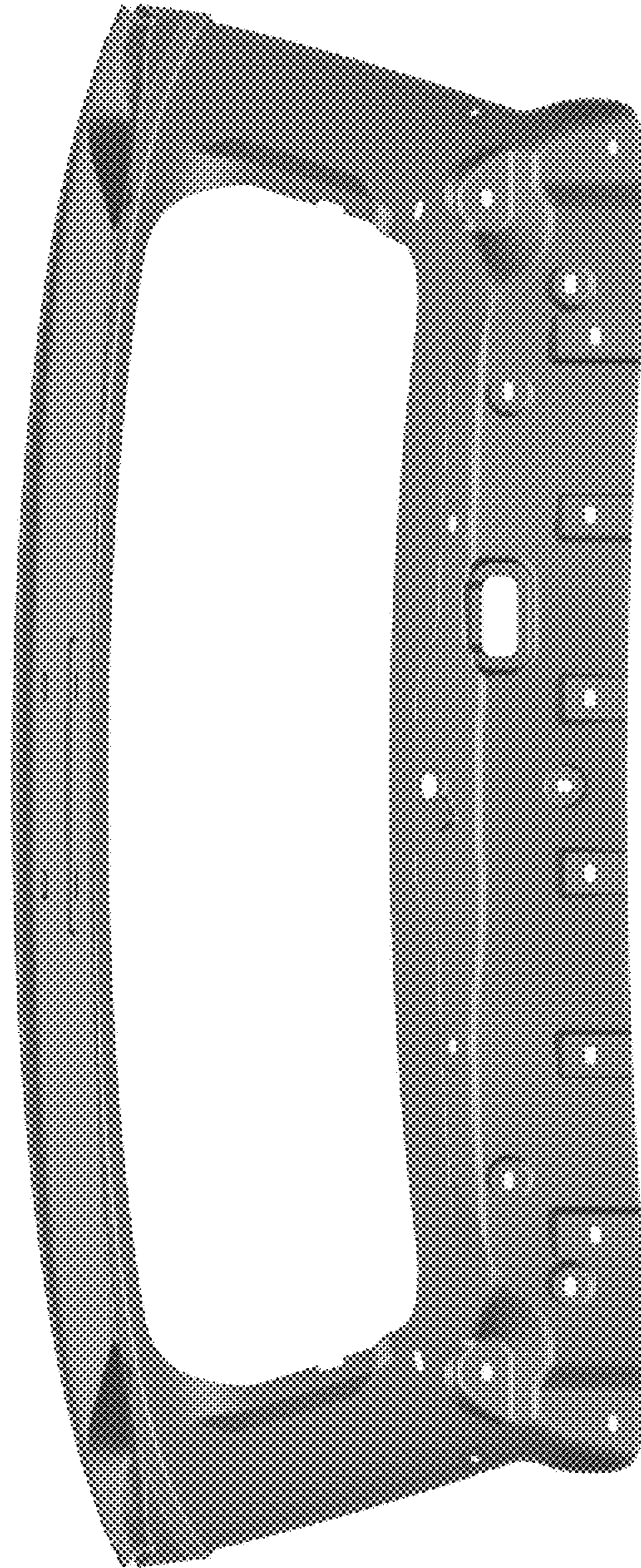


Fig. 4

Fig. 5



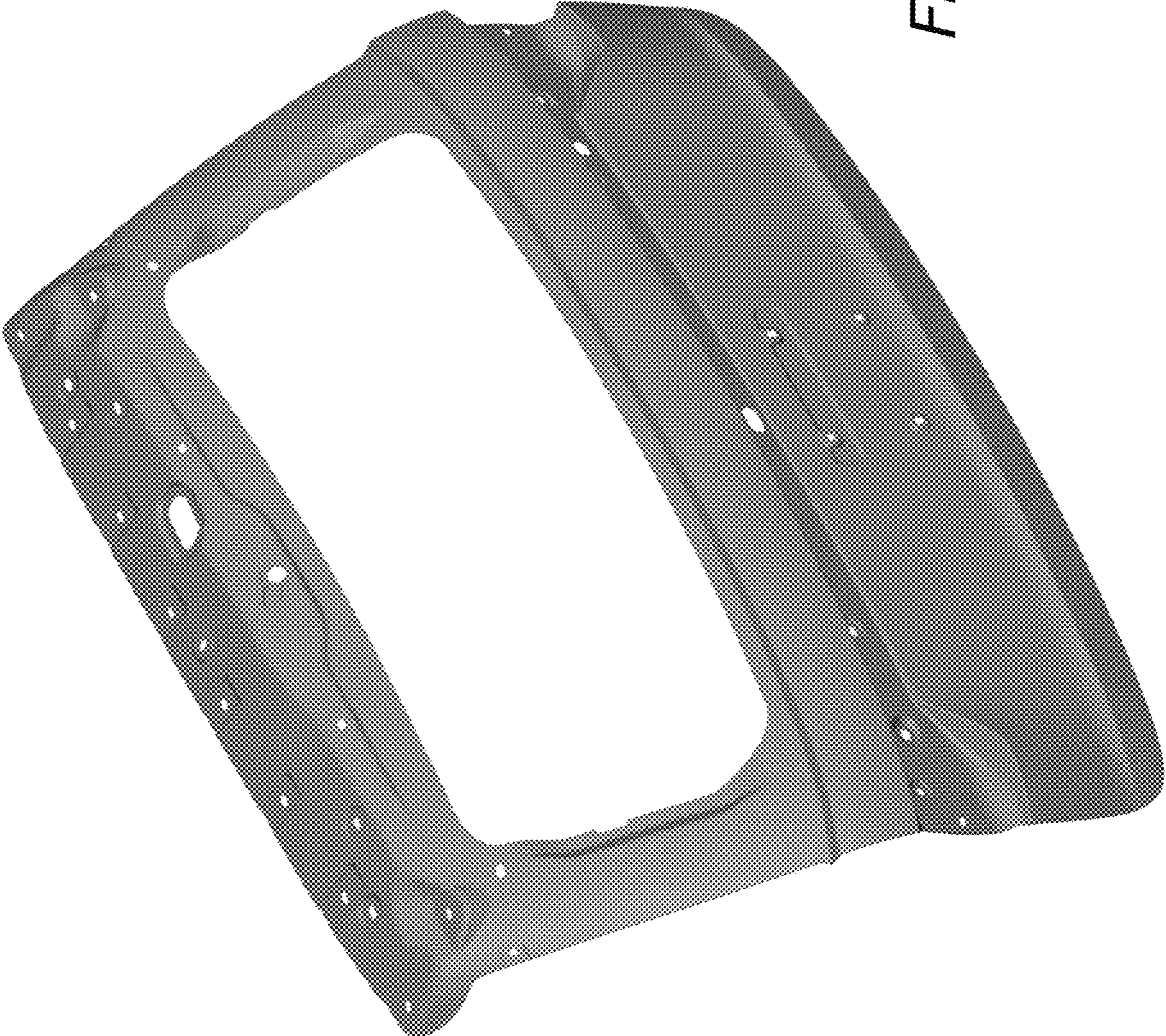


Fig. 6

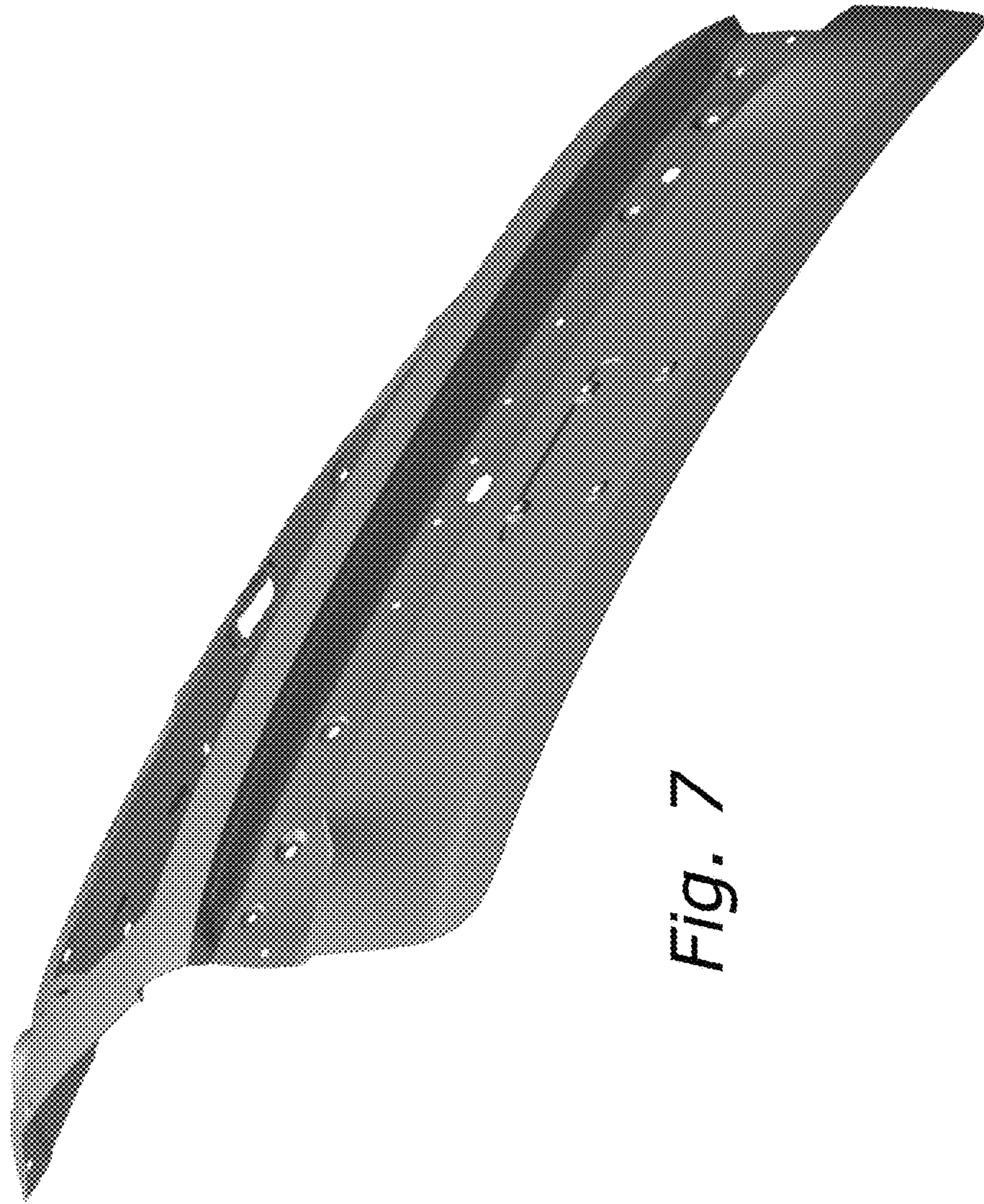


Fig. 7