



US00D856238S

(12) **United States Design Patent** (10) **Patent No.:** **US D856,238 S**
Buckingham (45) **Date of Patent:** **** Aug. 13, 2019**

(54) **TRUNK LID FOR A VEHICLE**
(71) Applicant: **Bayerische Motoren Werke Aktiengesellschaft, Munich (DE)**
(72) Inventor: **John-Daniel Buckingham, Woodland Hills, CA (US)**
(73) Assignee: **Bayerische Motoren Werke Aktiengesellschaft, Munich (DE)**

8,083,260 B2 * 12/2011 Haynes B60J 11/06
280/770
D663,666 S * 7/2012 Matsumoto D12/196
8,251,431 B2 * 8/2012 Nakazato E05D 5/062
296/146.11
D676,793 S * 2/2013 Yamada D12/196
D682,757 S * 5/2013 Song D12/196
D695,177 S * 12/2013 Matsueda D12/196

(Continued)

(**) Term: **15 Years**
(21) Appl. No.: **29/624,739**
(22) Filed: **Nov. 3, 2017**

FOREIGN PATENT DOCUMENTS

WO WO DM/066982 10/2005
WO WO DM/073504 10/2010

Primary Examiner — Susan Bennett Hattan
Assistant Examiner — Suzanne E Tisdell
(74) *Attorney, Agent, or Firm* — Crowell & Moring LLP

(30) **Foreign Application Priority Data**
May 10, 2017 (DE) 40 2017 100 574
(51) **LOC (12) Cl.** **12-16**
(52) **U.S. Cl.**
USPC **D12/196**
(58) **Field of Classification Search**
USPC D12/86, 90, 91, 92, 163, 169, 171, 183,
D12/196, 216
CPC . B60J 11/00; B60J 11/06; B60R 13/00; B60R
13/10; B62D 25/10; B62D 35/00; B62D
35/007; E05D 5/062
See application file for complete search history.

(57) **CLAIM**

The ornamental design for a trunk lid for a vehicle, as shown and described.

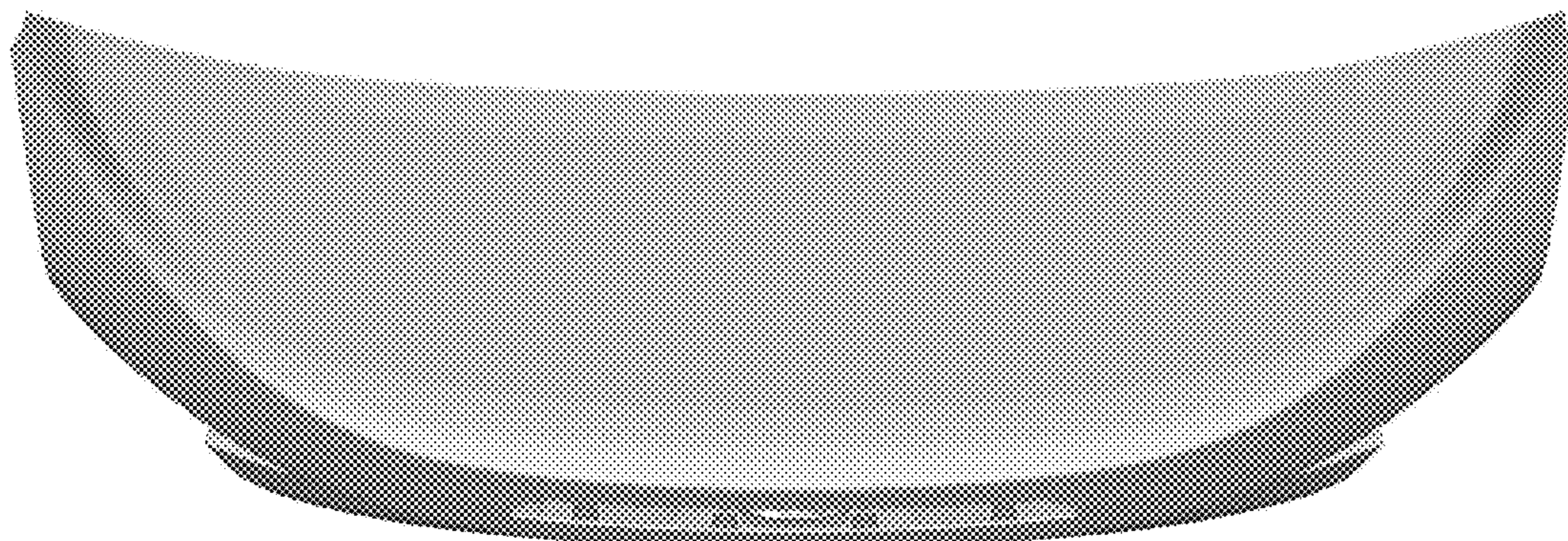
DESCRIPTION

This application contains subject matter related to the following co-pending U.S. design patent applications: Application Ser. No. 29/624,716, filed herewith and entitled "Vehicle, Toy, and/or Replicas Thereof"; Application Ser. No. 29/624,740, filed herewith and entitled "Trunk Lid for a Vehicle"; and Application Ser. No. 29/624,741, filed herewith and entitled "Trunk Lid for a Vehicle".

FIG. 1 is a top view of a trunk lid for a vehicle according to the design;
FIG. 2 is a front view thereof;
FIG. 3 is a left, front perspective view thereof;
FIG. 4 is a right, front perspective view thereof;
FIG. 5 is a left side view thereof;
FIG. 6 is a right side view thereof;
FIG. 7 is a bottom view thereof; and,
FIG. 8 is a rear view thereof.

(56) **References Cited**
U.S. PATENT DOCUMENTS
D286,527 S * 11/1986 Envall D12/183
5,172,954 A * 12/1992 Yamazaki B62D 35/007
296/180.1
D414,734 S * 10/1999 Bangle D12/196
6,582,006 B1 * 6/2003 Burch B60R 13/10
296/100.06
7,478,492 B2 * 1/2009 Madonia B60K 35/00
345/204

1 Claim, 8 Drawing Sheets



(56)

References Cited

U.S. PATENT DOCUMENTS

9,011,056 B2 *	4/2015	Malmstrom	B60P 7/0892	
				410/121	
D731,942 S *	6/2015	Hammoud	D12/196	
D743,864 S *	11/2015	Loeb	D12/196	
D780,076 S *	2/2017	Peat	D12/164	
D784,885 S *	4/2017	Curic	D12/196	
D785,532 S *	5/2017	Park	D12/196	
D791,030 S *	7/2017	Faghihzadeh	D12/196	
D797,631 S *	9/2017	Pevovar	D12/196	
D800,021 S *	10/2017	Hagino	D12/92	
D804,384 S *	12/2017	Park	D12/196	
D813,773 S *	3/2018	Cho	D12/196	
D818,922 S *	5/2018	Whitla	D12/196	
D823,211 S *	7/2018	Lim	D12/196	
D823,762 S *	7/2018	Loeb	D12/196	

* cited by examiner

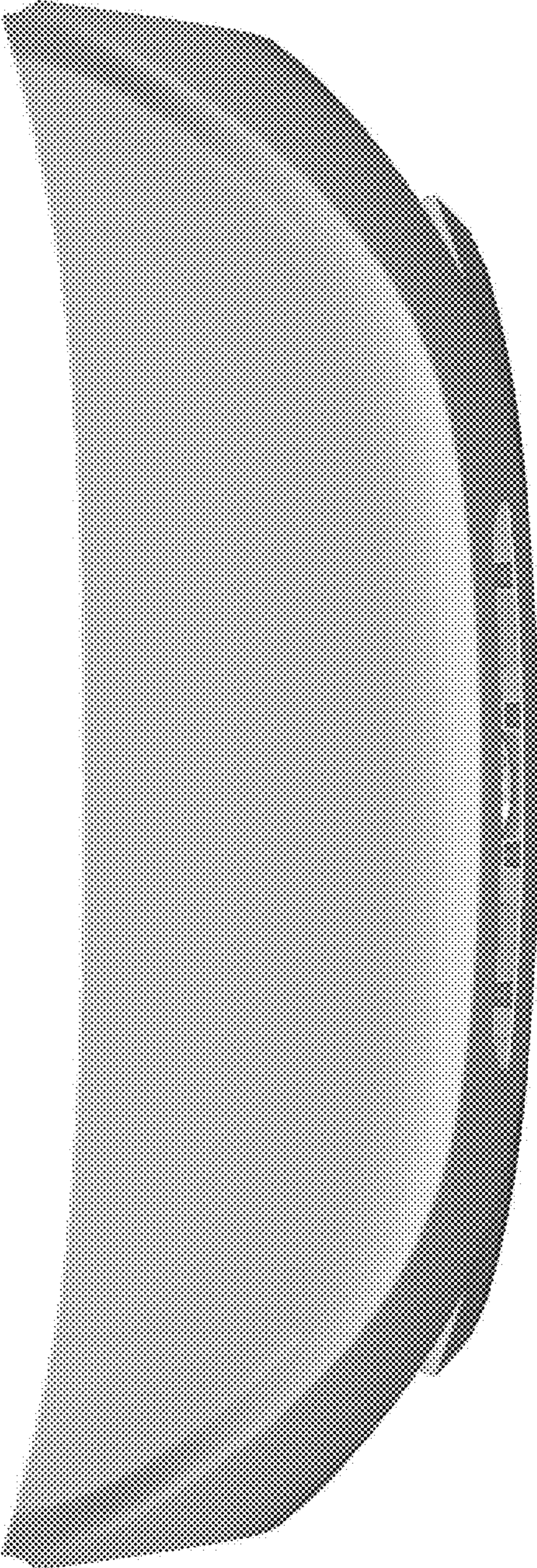


Fig. 1

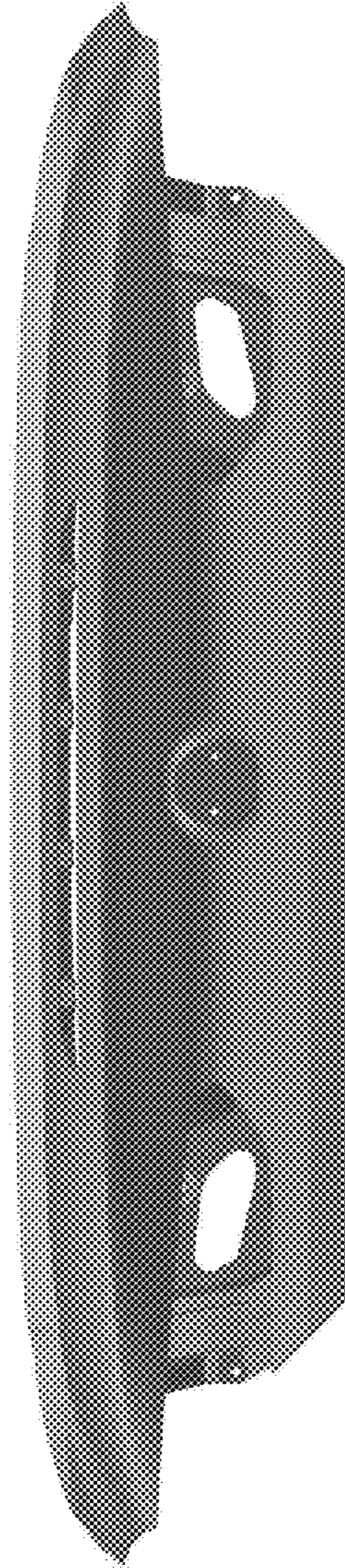


Fig. 2

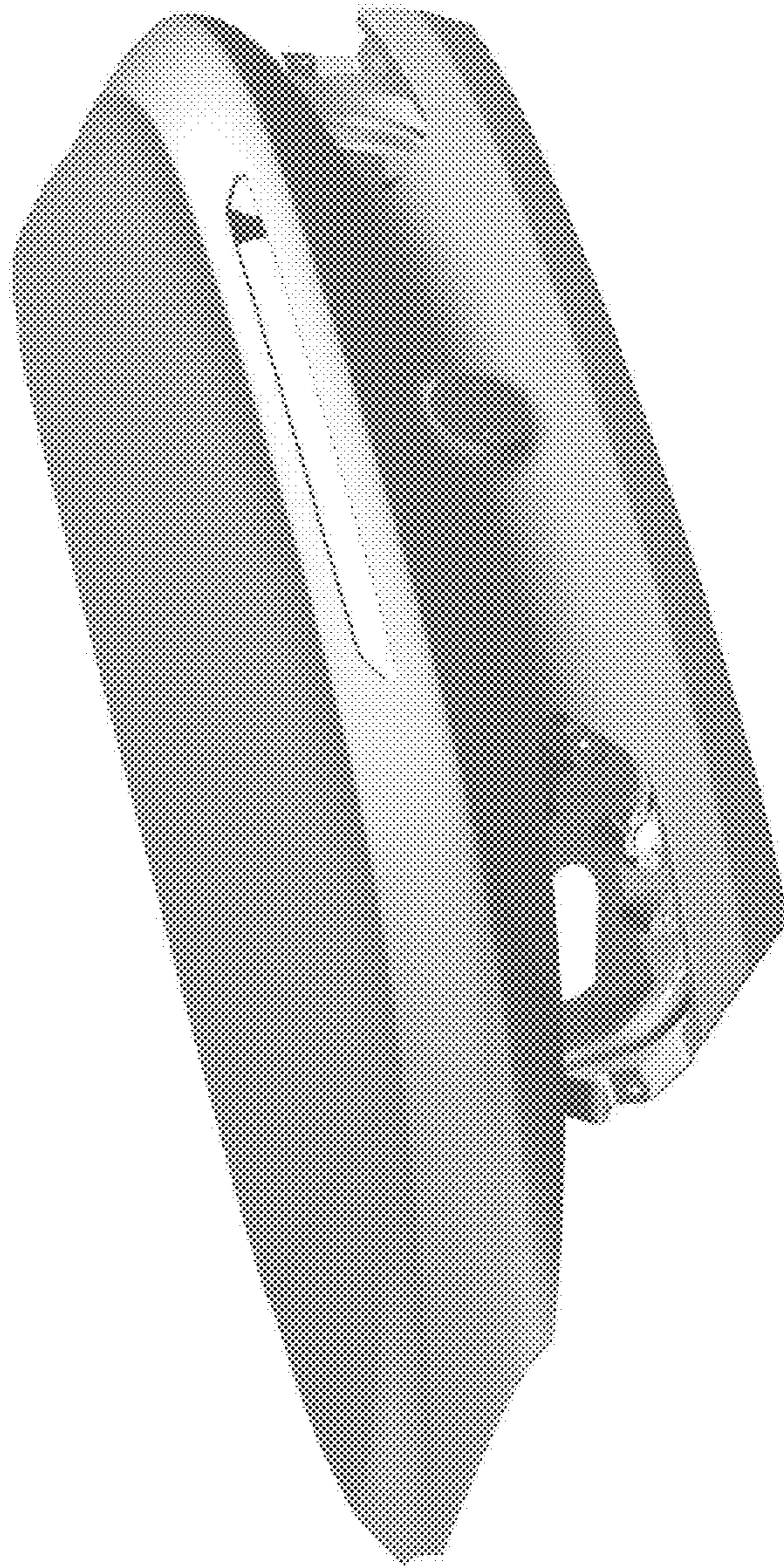


Fig. 3

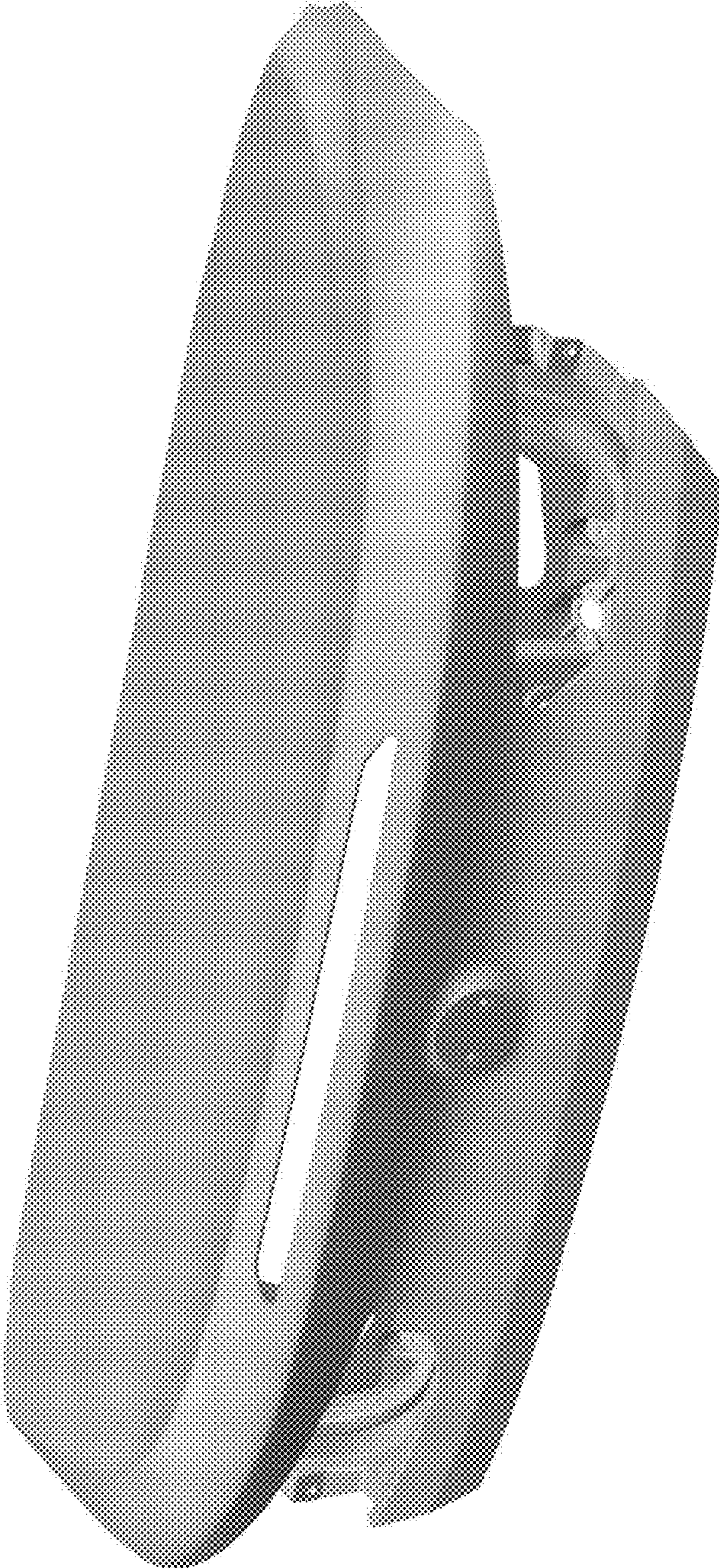


Fig. 4

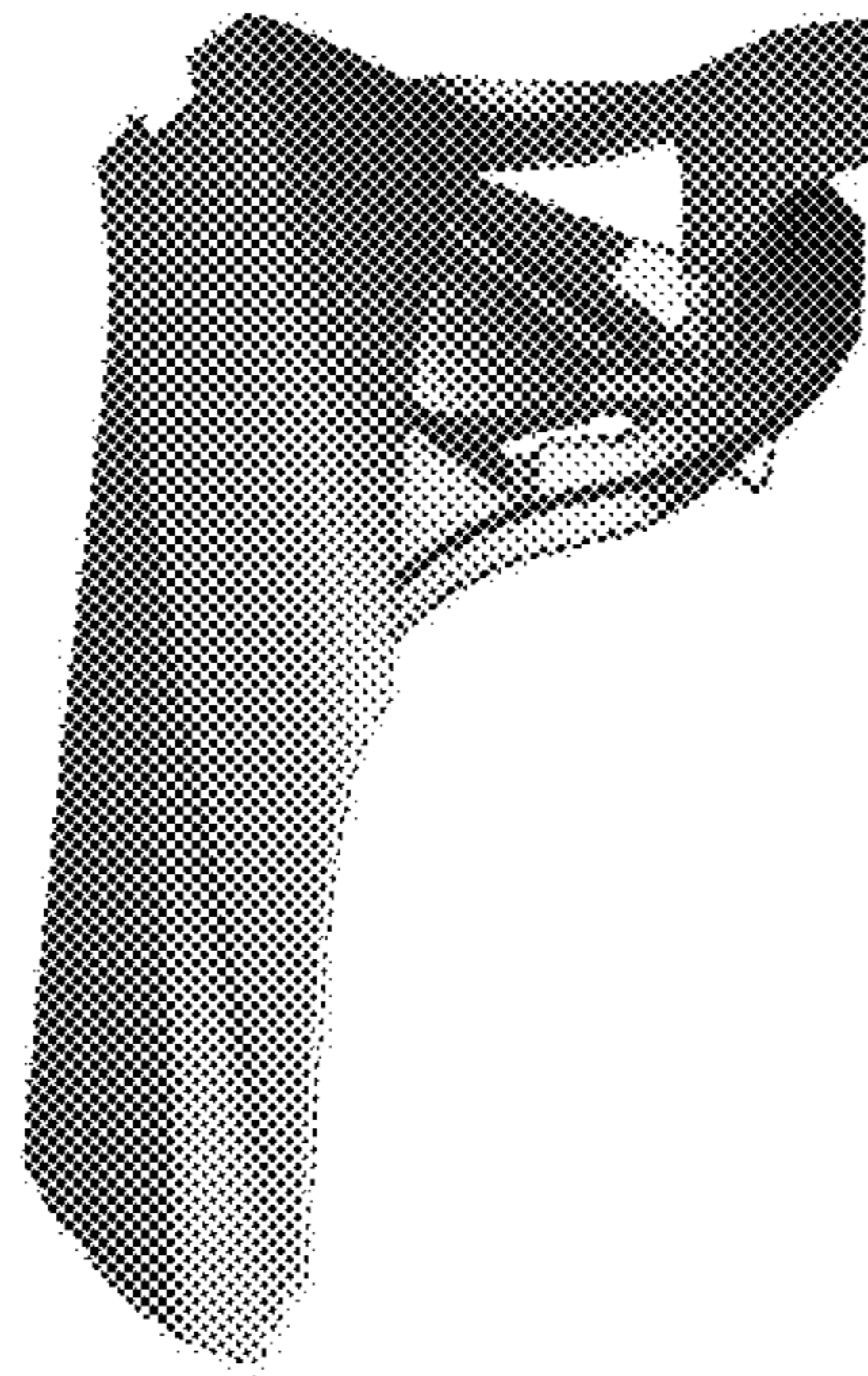


Fig. 5

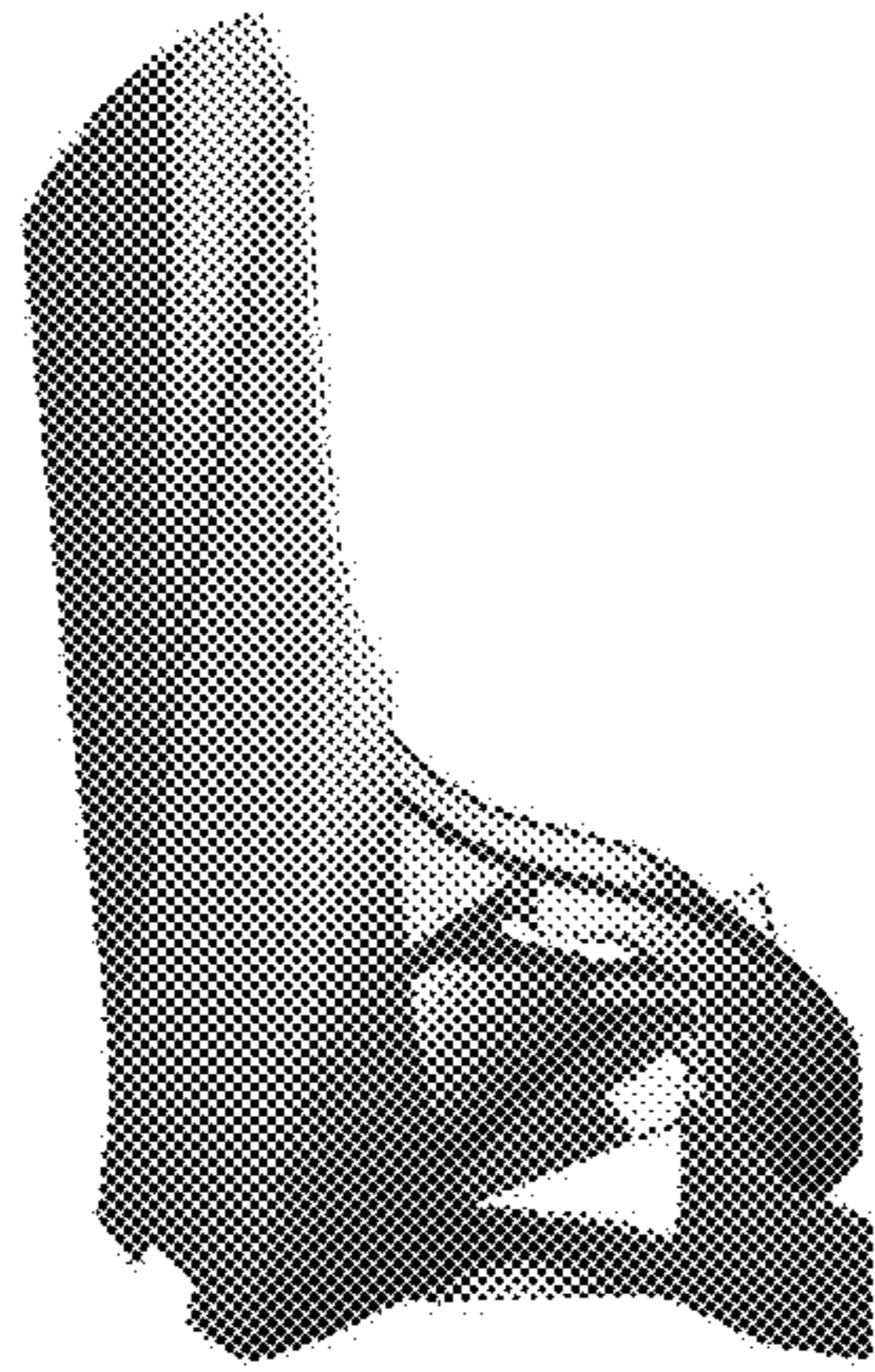


Fig. 6

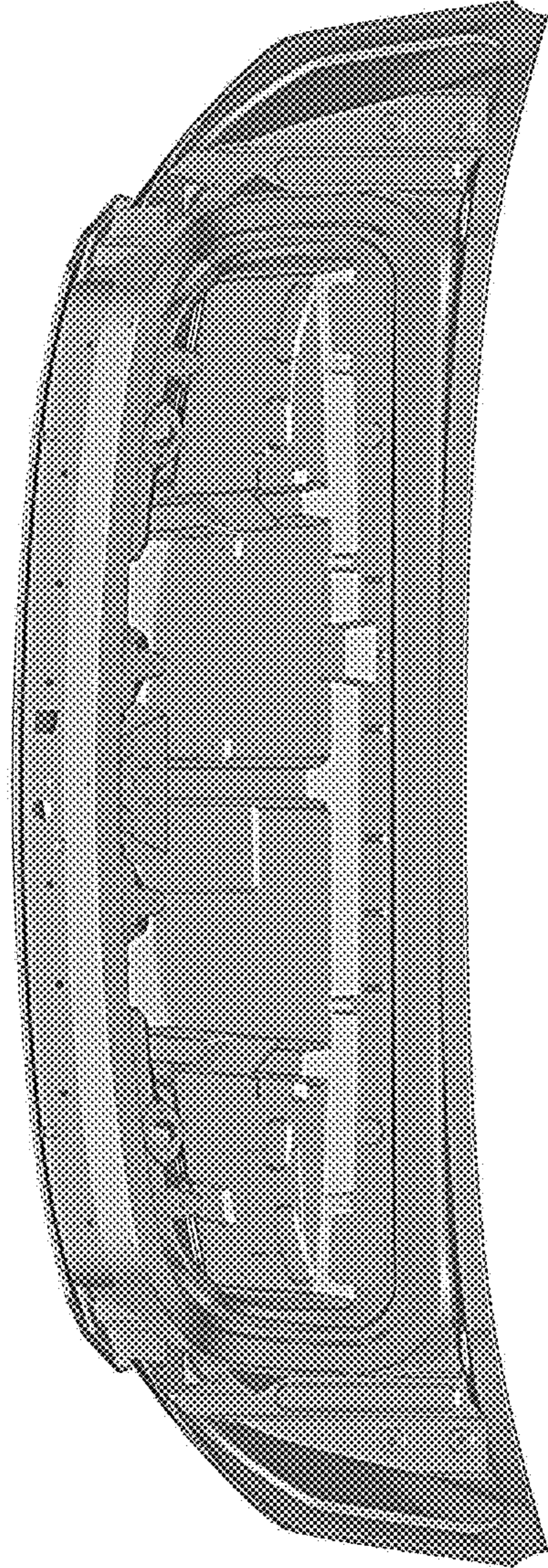


Fig. 7

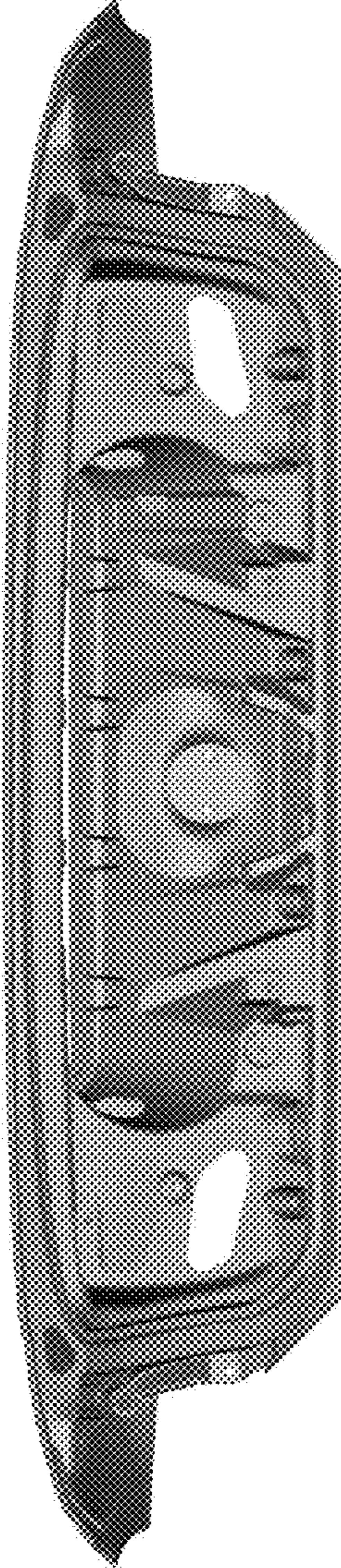


Fig. 8