



US00D856236S

(12) **United States Design Patent**  
**Buckingham**

(10) **Patent No.:** **US D856,236 S**

(45) **Date of Patent:** **\*\* Aug. 13, 2019**

- (54) **REAR FENDER FOR A VEHICLE**
- (71) Applicant: **Bayerische Motoren Werke Aktiengesellschaft, Munich (DE)**
- (72) Inventor: **John-Daniel Buckingham, Woodland Hills, CA (US)**
- (73) Assignee: **Bayerische Motoren Werke Aktiengesellschaft, Munich (DE)**
- (\*\*) Term: **15 Years**
- (21) Appl. No.: **29/624,733**
- (22) Filed: **Nov. 3, 2017**
- (30) **Foreign Application Priority Data**  
May 10, 2017 (DE) ..... 40 2017 100 574
- (51) **LOC (12) Cl.** ..... **12-16**
- (52) **U.S. Cl.**  
USPC ..... **D12/196**
- (58) **Field of Classification Search**  
USPC ..... D12/114, 181, 184, 196; D15/28  
CPC ..... B62D 25/16; B62D 25/18  
See application file for complete search history.

D766,151 S *	9/2016	Faghihzadeh .....	D12/196
D770,954 S *	11/2016	Luk .....	D12/196
D777,634 S *	1/2017	Faghihzadeh .....	D12/196
D820,755 S *	6/2018	Luk .....	D12/196
D821,280 S *	6/2018	Szavits .....	D12/196
D826,810 S *	8/2018	Simm .....	D12/184

**FOREIGN PATENT DOCUMENTS**

WO	WO DM/079907	7/2013
WO	WO DM/096612	12/2017

\* cited by examiner

*Primary Examiner* — Susan Bennett Hattan

*Assistant Examiner* — Suzanne E Tisdell

(74) *Attorney, Agent, or Firm* — Crowell & Moring LLP

(57) **CLAIM**

The ornamental design for a rear fender for a vehicle, as shown and described.

**DESCRIPTION**

This application contains subject matter related to the following co-pending U.S. design patent applications:

Application Ser. No. 29/624,718, filed herewith and entitled "Vehicle, Toy, and/or Replicas Thereof";

Application Ser. No. 29/624,731, filed herewith and entitled "Rear Fender for a Vehicle"; and

Application Ser. No. 29/624,734, filed herewith and entitled "Rear Fender for a Vehicle".

FIG. 1 is a front view of a rear fender for a vehicle according to the design;

FIG. 2 is a left, front perspective view thereof;

FIG. 3 is a right, front perspective view thereof;

FIG. 4 is a left side view thereof;

FIG. 5 is a right side view thereof;

FIG. 6 is a top view thereof;

FIG. 7 is a bottom view thereof; and,

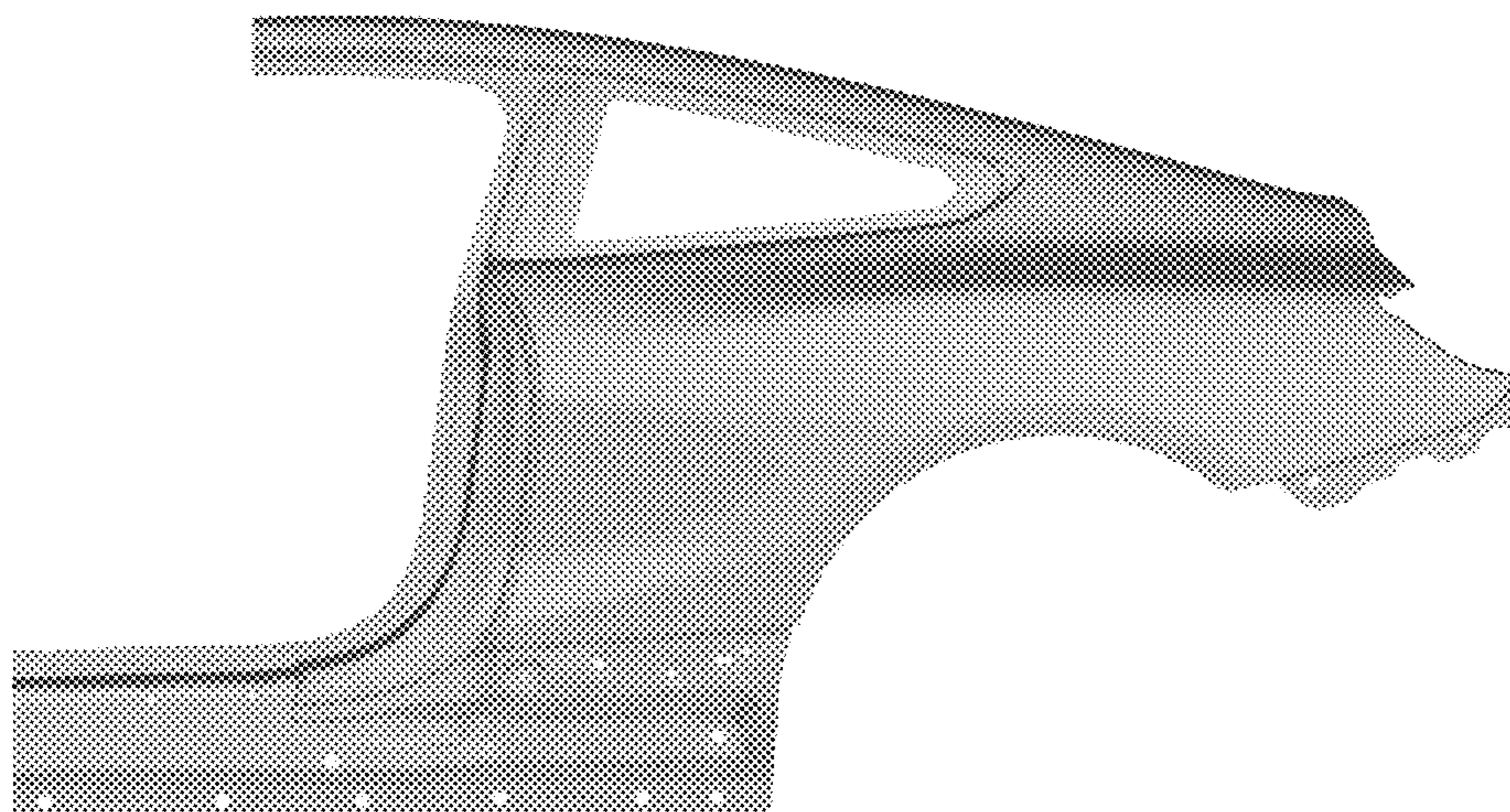
FIG. 8 is a rear view thereof.

**1 Claim, 8 Drawing Sheets**

(56) **References Cited**

**U.S. PATENT DOCUMENTS**

D583,286 S *	12/2008	Leclercq .....	D12/184
D585,347 S *	1/2009	Kamimura .....	D12/184
D597,004 S *	7/2009	Habib .....	D12/184
D605,572 S *	12/2009	Ward .....	D12/196
D620,414 S *	7/2010	Froehlich .....	D12/184
D633,838 S *	3/2011	Loeb .....	D12/196
D671,873 S *	12/2012	Yamada .....	D12/196
D696,172 S *	12/2013	Kawasaki .....	D12/196
D699,170 S *	2/2014	Okue .....	D12/184
D704,615 S *	5/2014	Mueller .....	D12/196
D730,258 S *	5/2015	Burki .....	D12/196
D741,761 S *	10/2015	Mueller-Stolz .....	D12/184





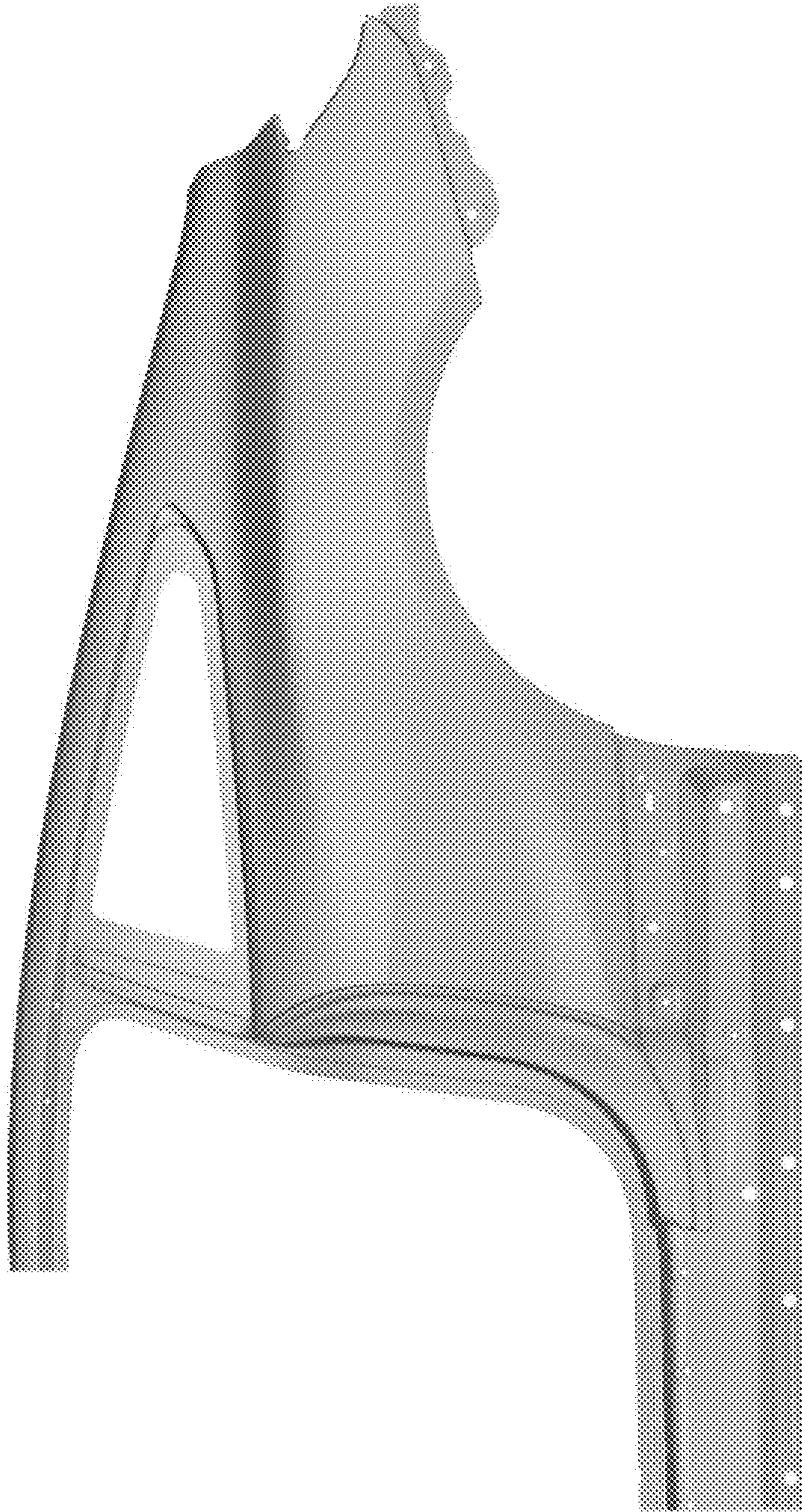


Fig. 1

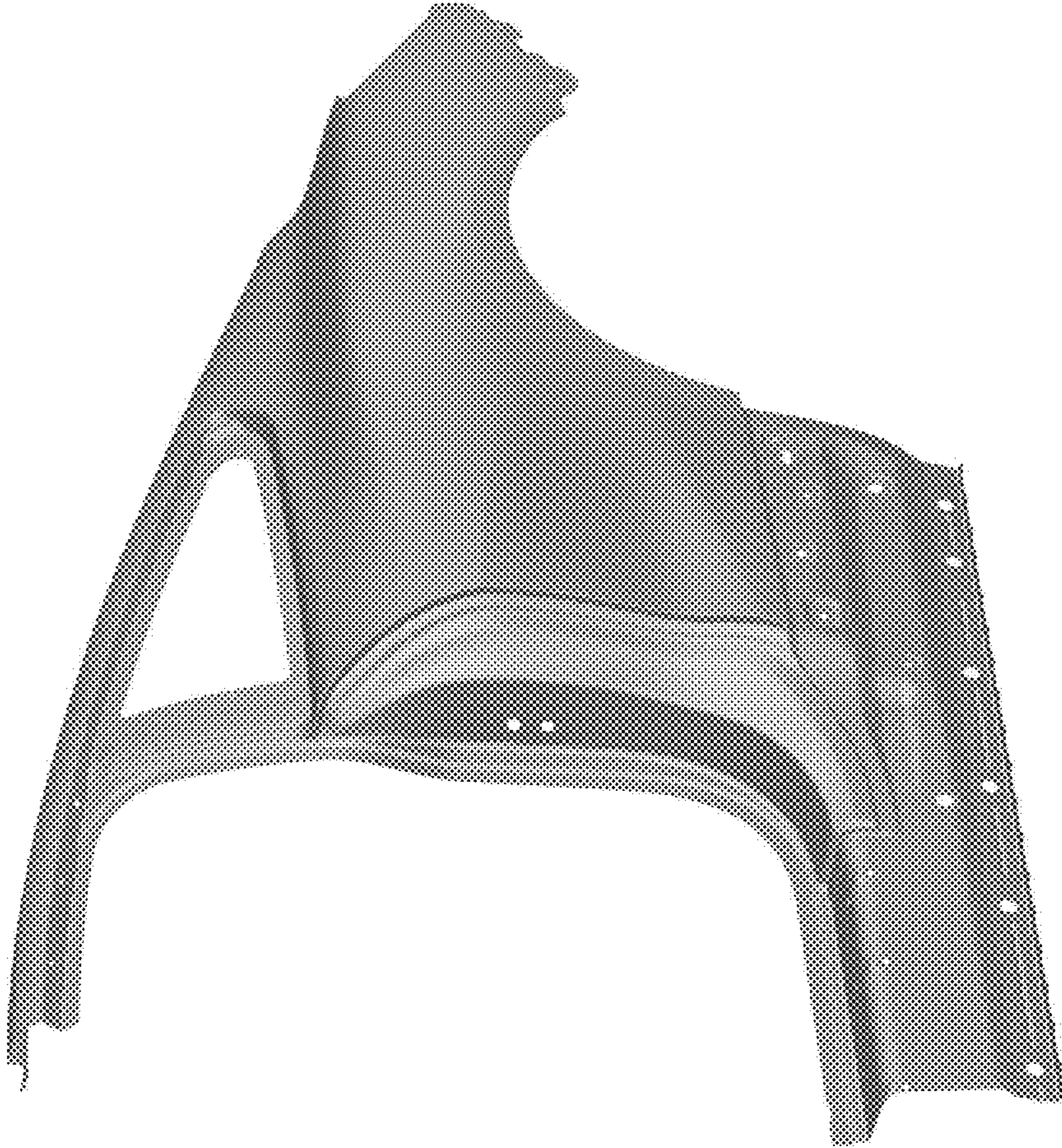


Fig. 2



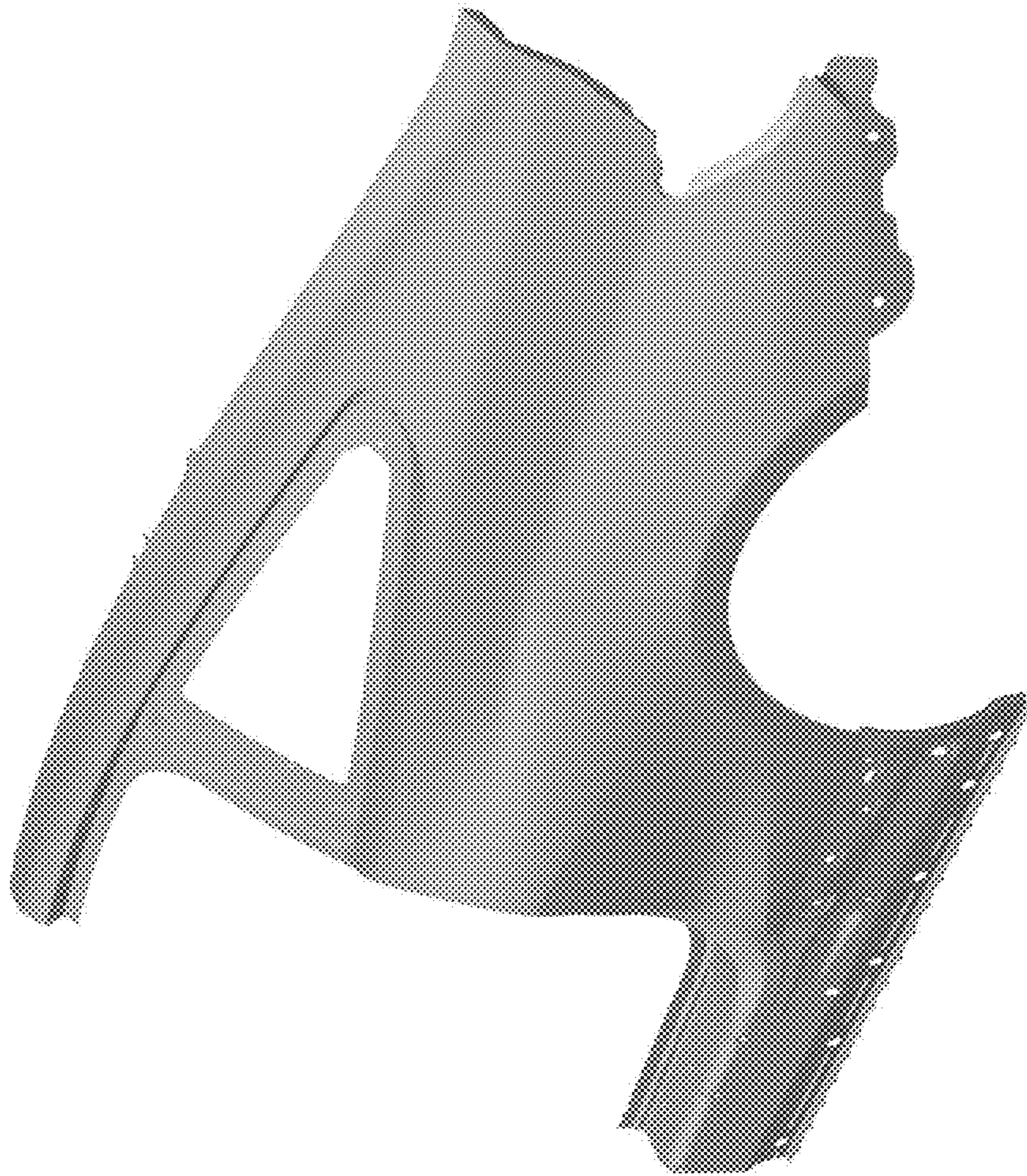


Fig. 3

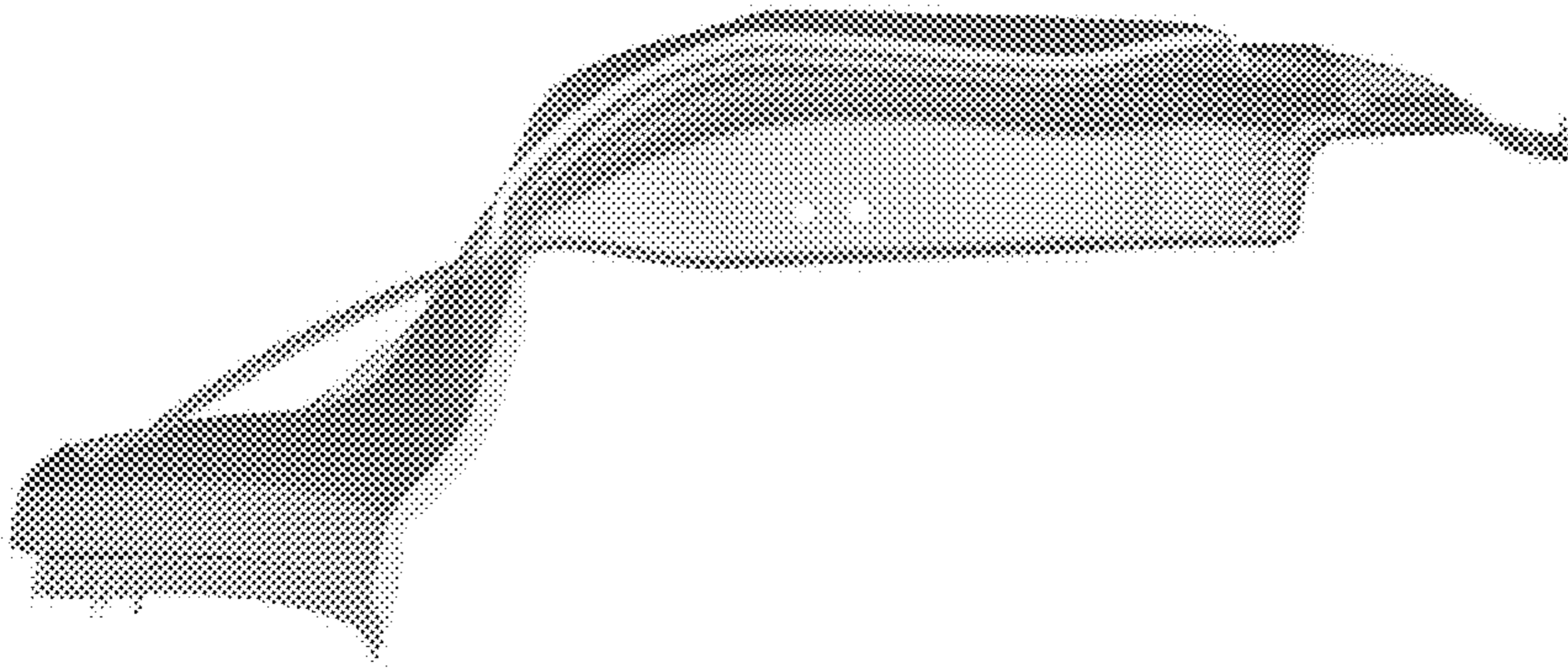


Fig. 4

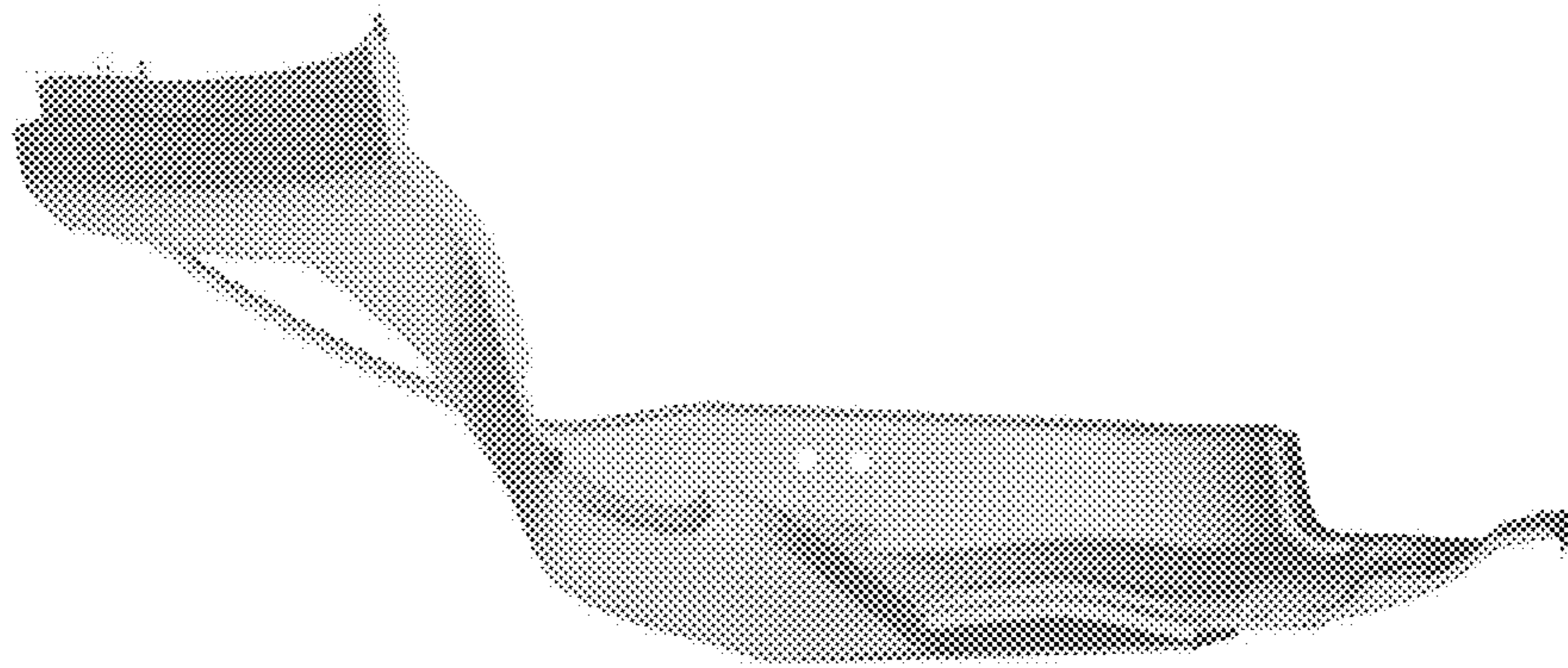


Fig. 5

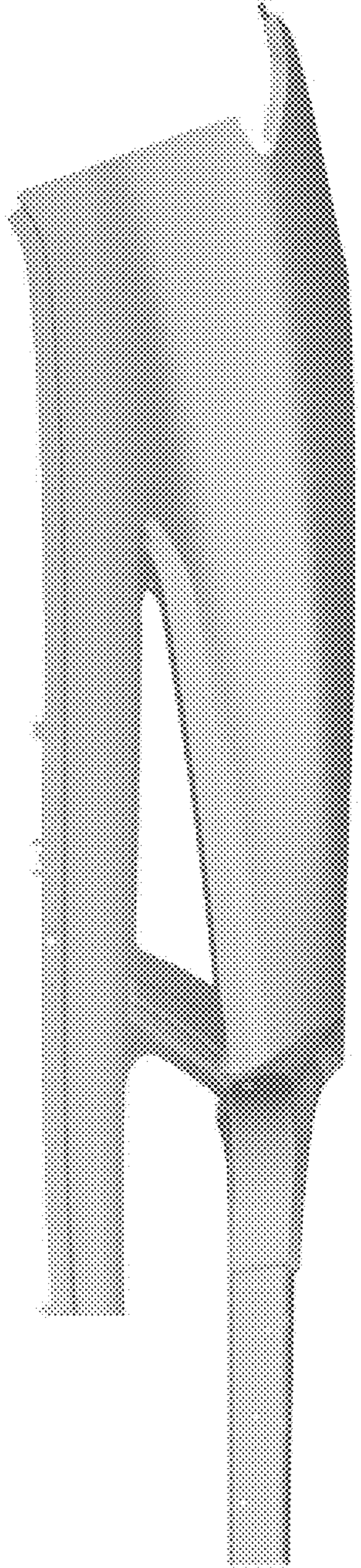


Fig. 6



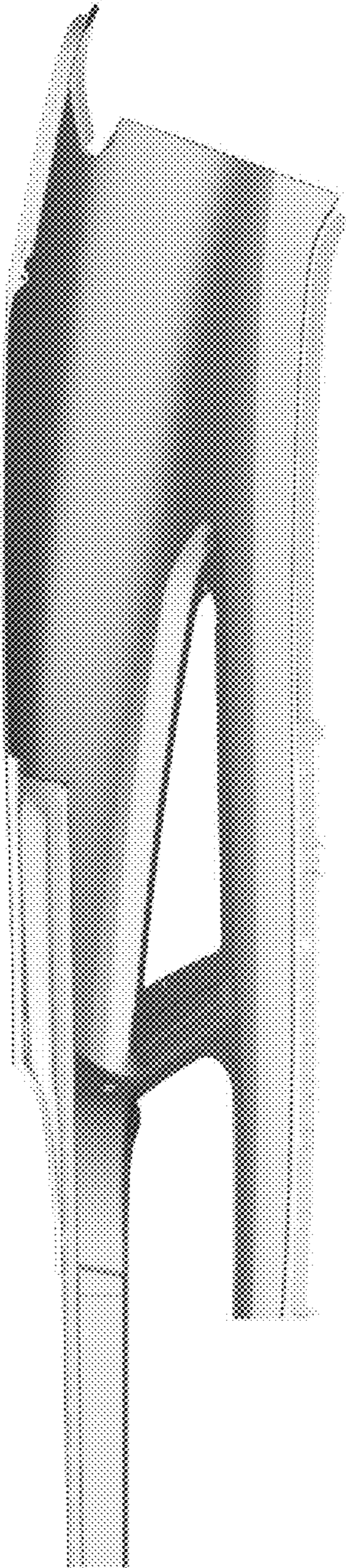


Fig. 7



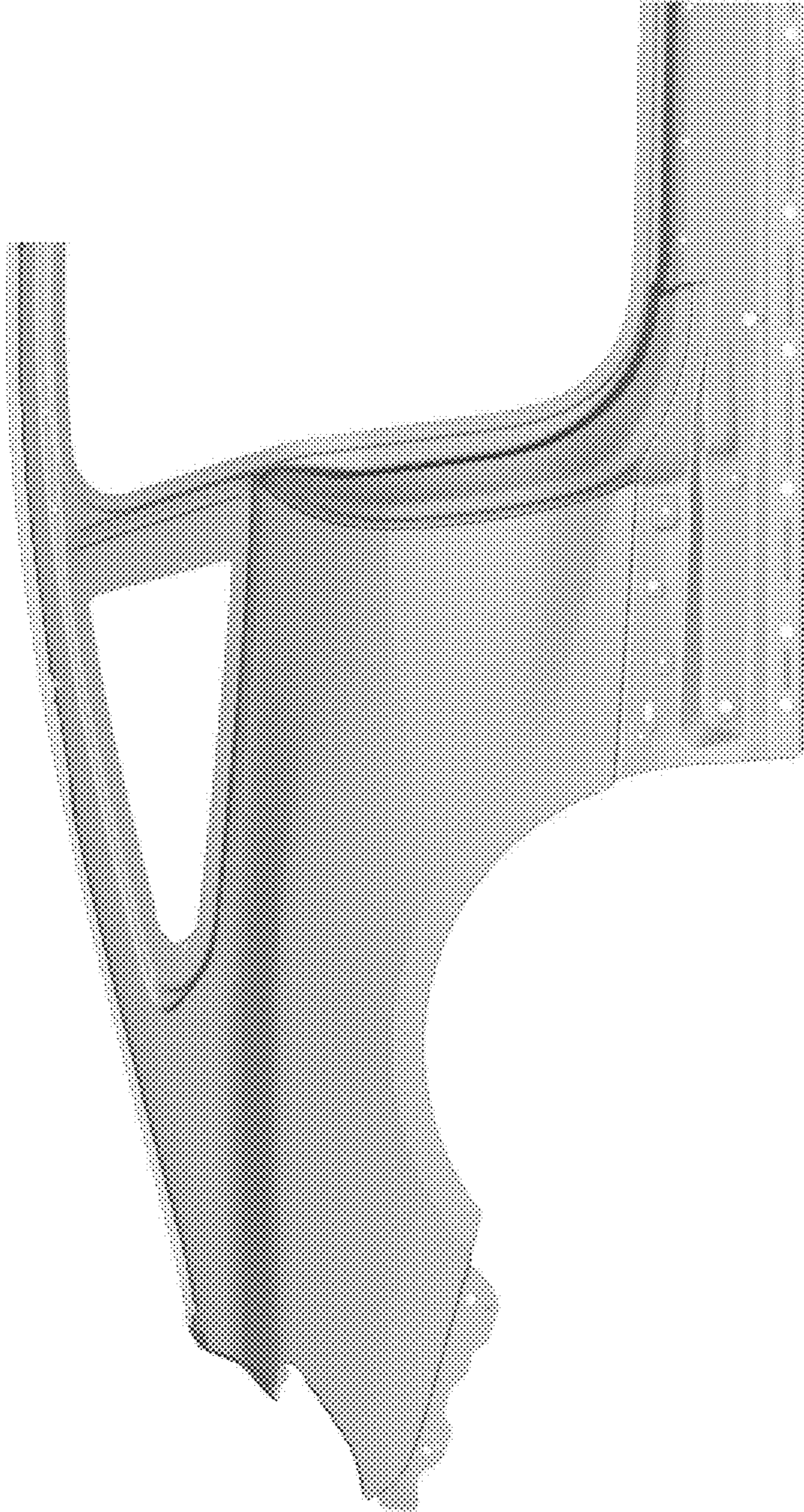


Fig. 8