



US00D856235S

(12) **United States Design Patent** (10) **Patent No.:** **US D856,235 S**
Miller (45) **Date of Patent:** **** Aug. 13, 2019**

- (54) **VEHICLE EXHAUST AMPLIFIER**
- (71) Applicant: **Nicholas Kane Miller**, Springfield, MO (US)
- (72) Inventor: **Nicholas Kane Miller**, Springfield, MO (US)
- (**) Term: **15 Years**
- (21) Appl. No.: **29/616,317**
- (22) Filed: **Sep. 5, 2017**
- (51) **LOC (12) Cl.** **12-16**
- (52) **U.S. Cl.**
USPC **D12/194**
- (58) **Field of Classification Search**
USPC D12/194; D15/5
CPC .. F01N 2450/18; F01N 1/168; F01N 2450/10;
F01N 2450/40
See application file for complete search history.

- (56) **References Cited**
- U.S. PATENT DOCUMENTS
- 5,330,234 A * 7/1994 Sweeny B08B 15/002
285/148.18
- 2004/0084247 A1* 5/2004 Kishida F01N 13/08
181/227
- 2014/0174062 A1* 6/2014 Pirolo F01N 13/1822
60/324
- FOREIGN PATENT DOCUMENTS
- EP 3239002 A1 * 11/2017 B08B 15/002

* cited by examiner

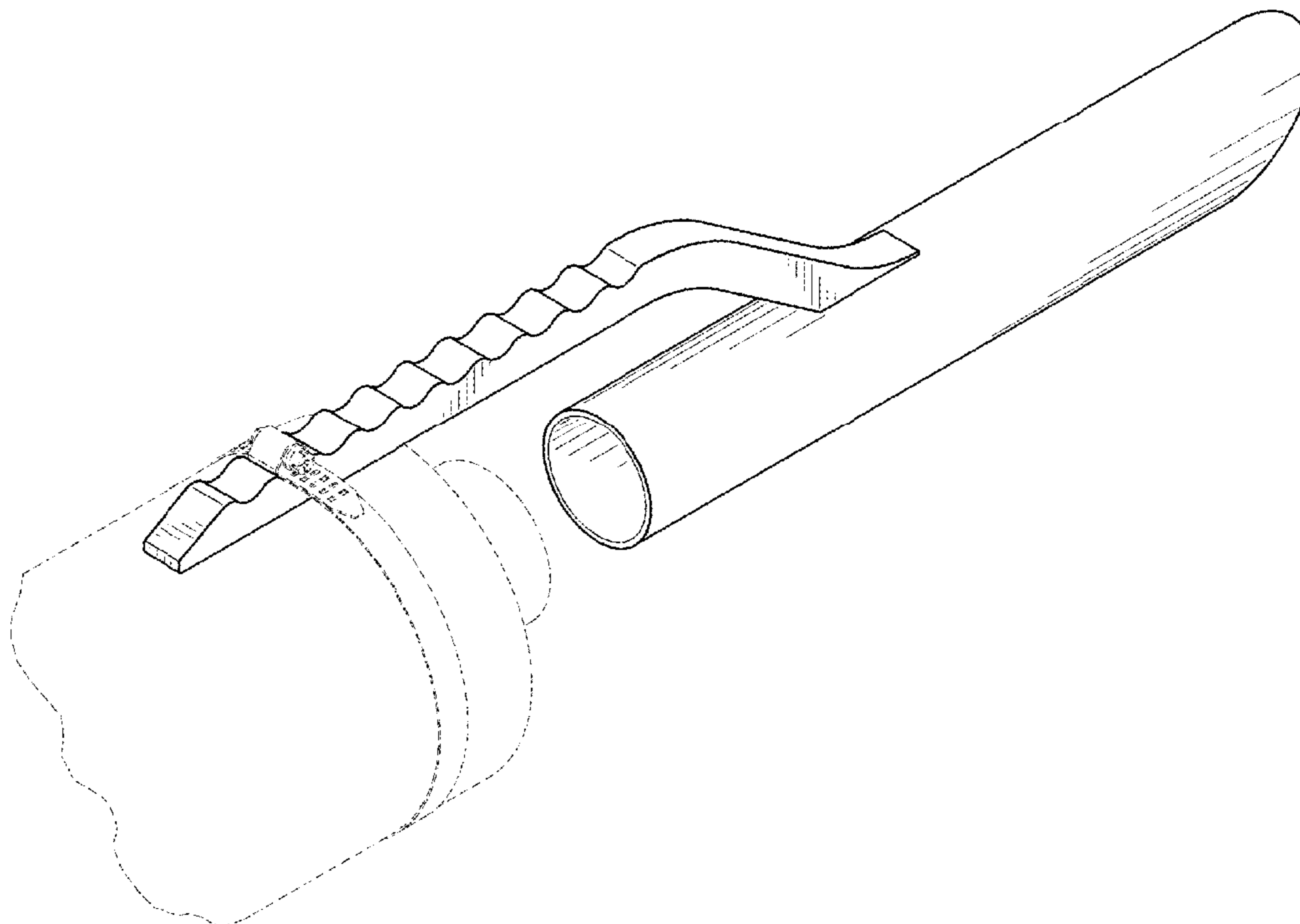
Primary Examiner — Michael A. Pratt
(74) *Attorney, Agent, or Firm* — Donna Denise Mashburn Chapman; Mashburn Law Office, LLC

(57) **CLAIM**
The ornamental design for a vehicle exhaust amplifier, as shown and described.

DESCRIPTION

FIG. 1 is a front perspective view of a vehicle exhaust amplifier having a notched member in accordance with the present invention;
FIG. 2 is a longitudinal side elevational view of the amplifier shown in FIG. 1;
FIG. 3 is a top plan view of the amplifier shown in FIG. 1;
FIG. 4 is bottom plan view of the amplifier shown in FIG. 1;
FIG. 5 is a left side elevational view of the amplifier shown in FIG. 1;
FIG. 6 is a right side elevational view of the amplifier shown in FIG. 1; and,
FIG. 7 is a perspective view of the amplifier shown in FIGS. 1-6, operably attached with a hose clamp to a vehicle muffler, the vehicle muffler and hose clamp being shown in broken lines.
The broken line showing of parts of the drawings is included for the purpose of illustrating use and environment and forms no part of the claimed design.

1 Claim, 4 Drawing Sheets



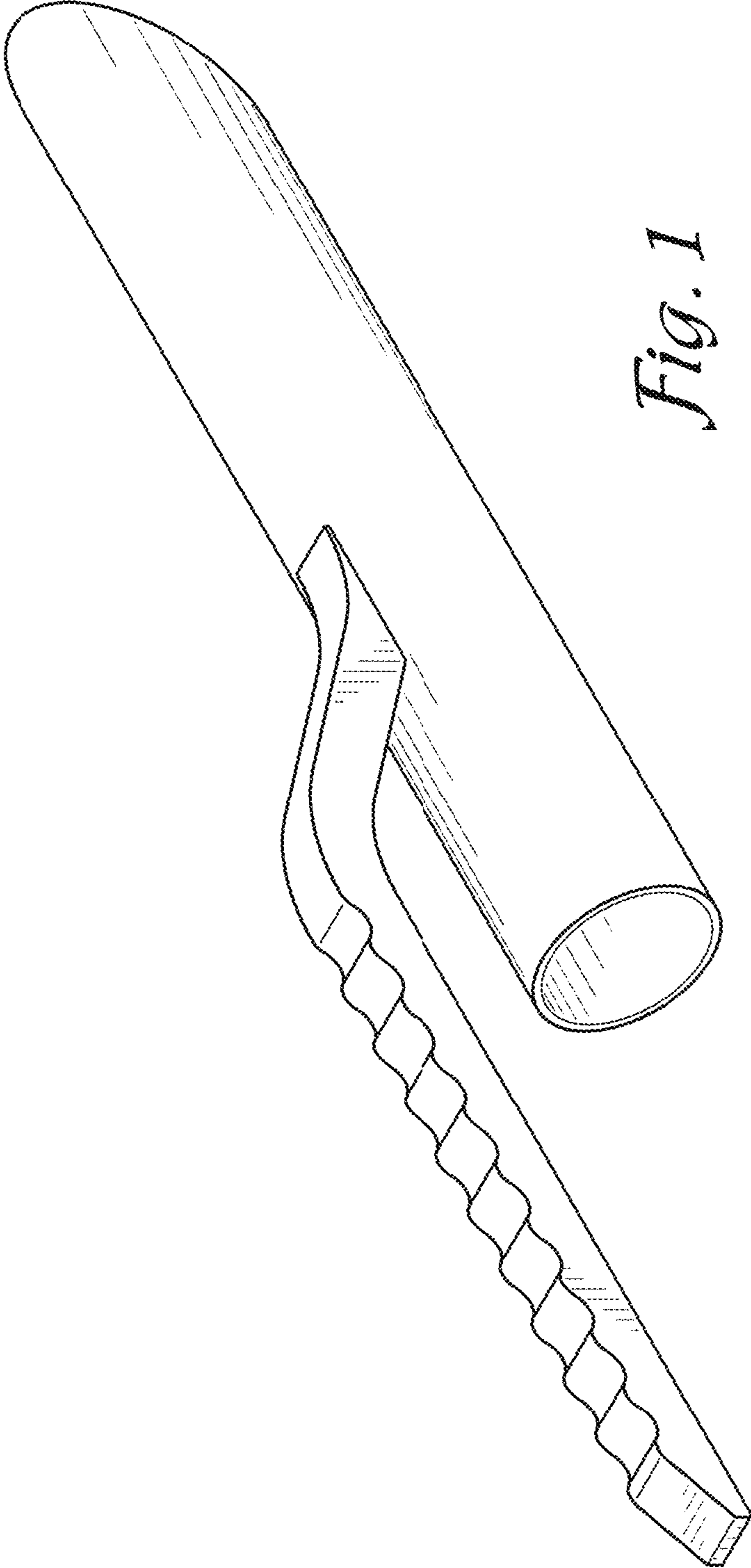


Fig. 1

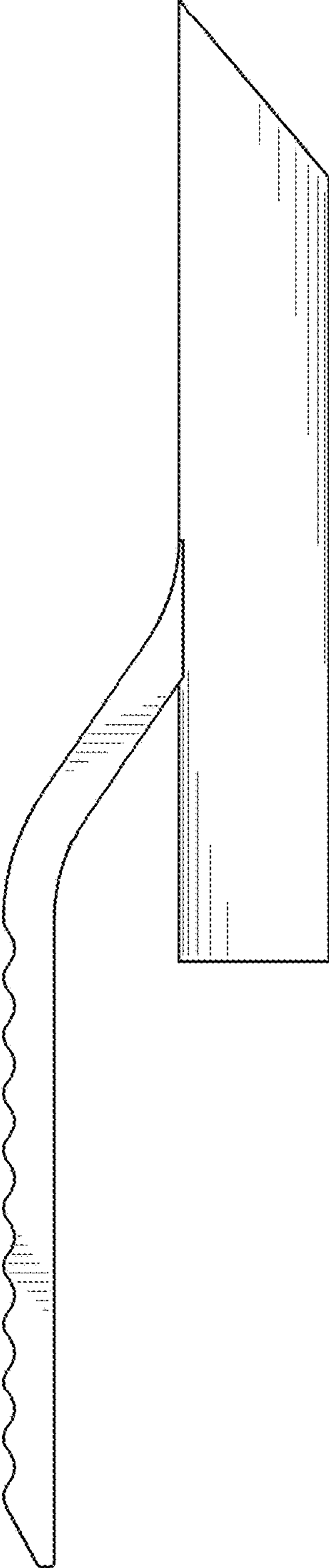


Fig. 2

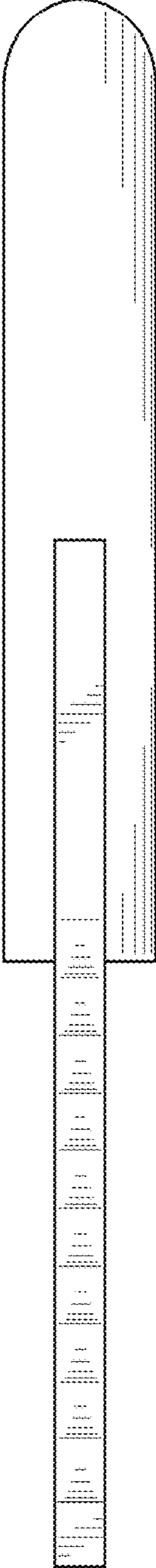


Fig. 3

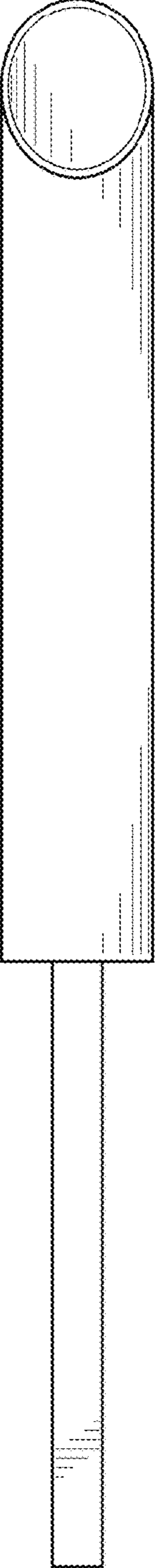


Fig. 4

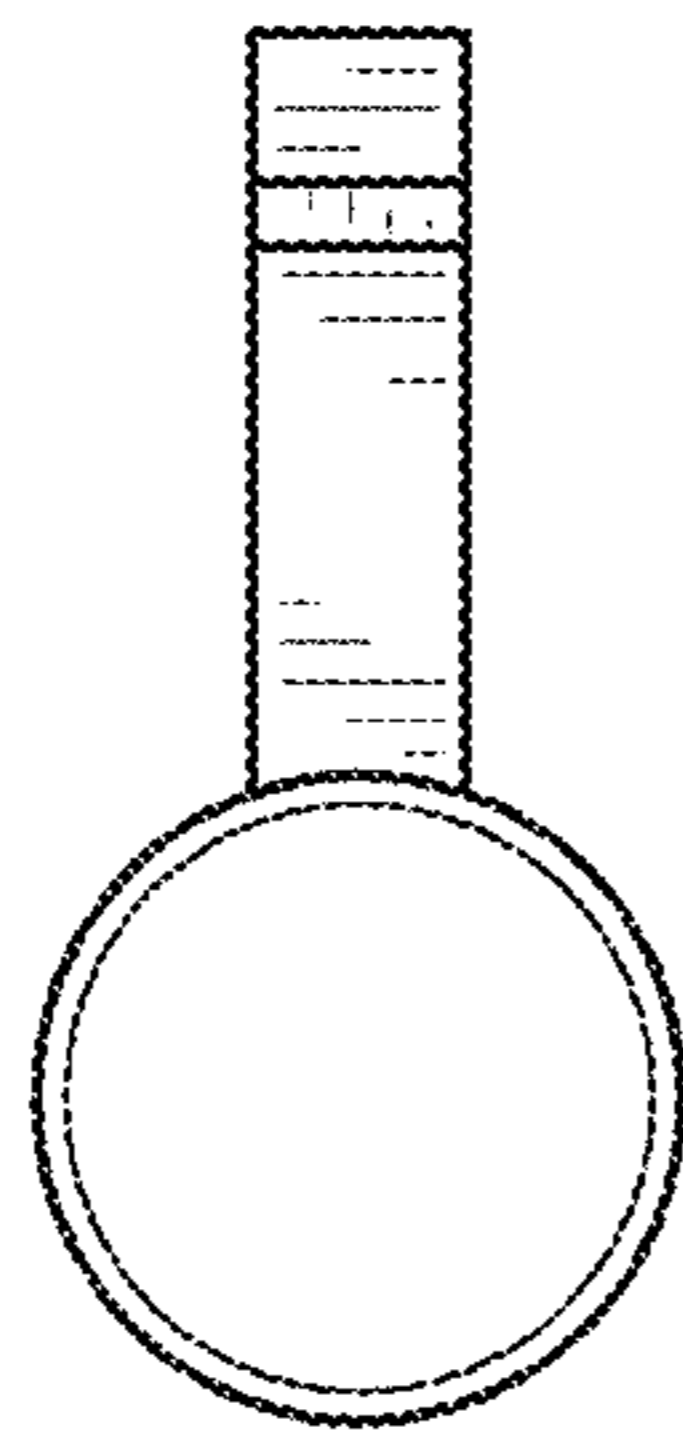


Fig. 5

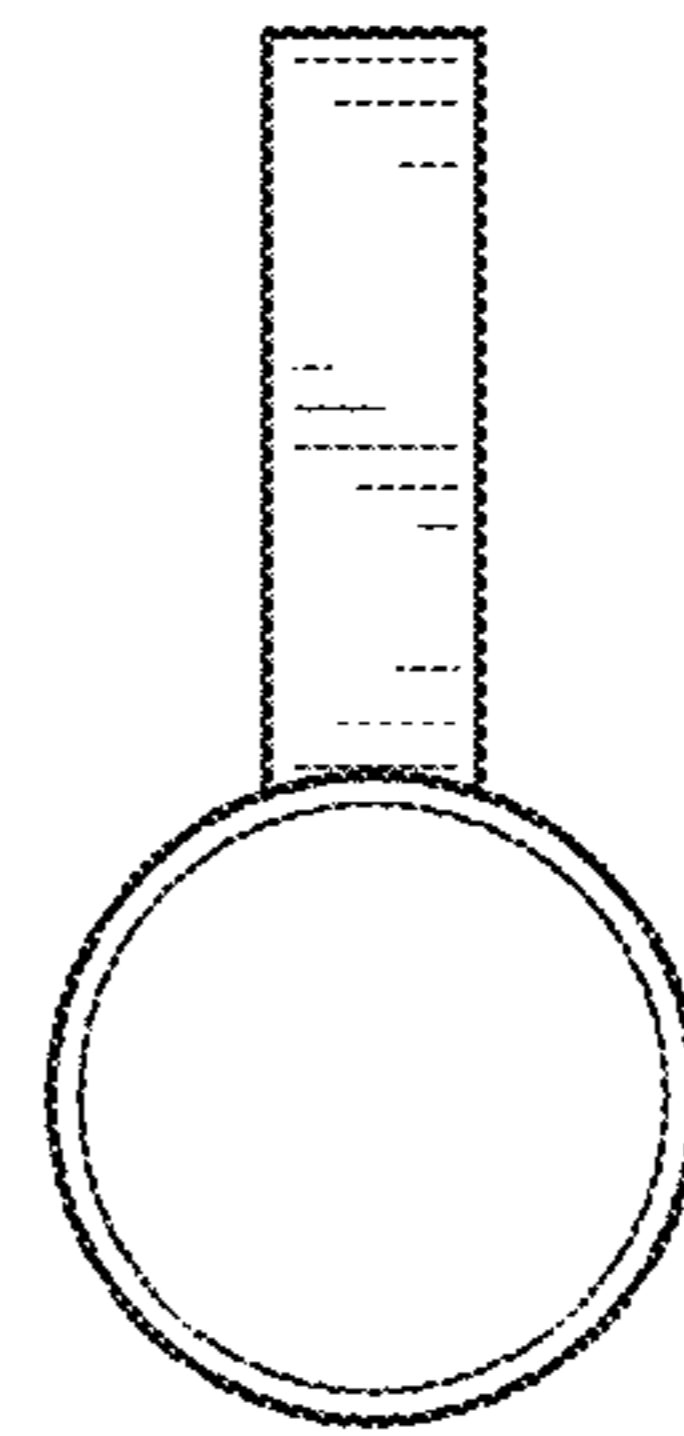


Fig. 6

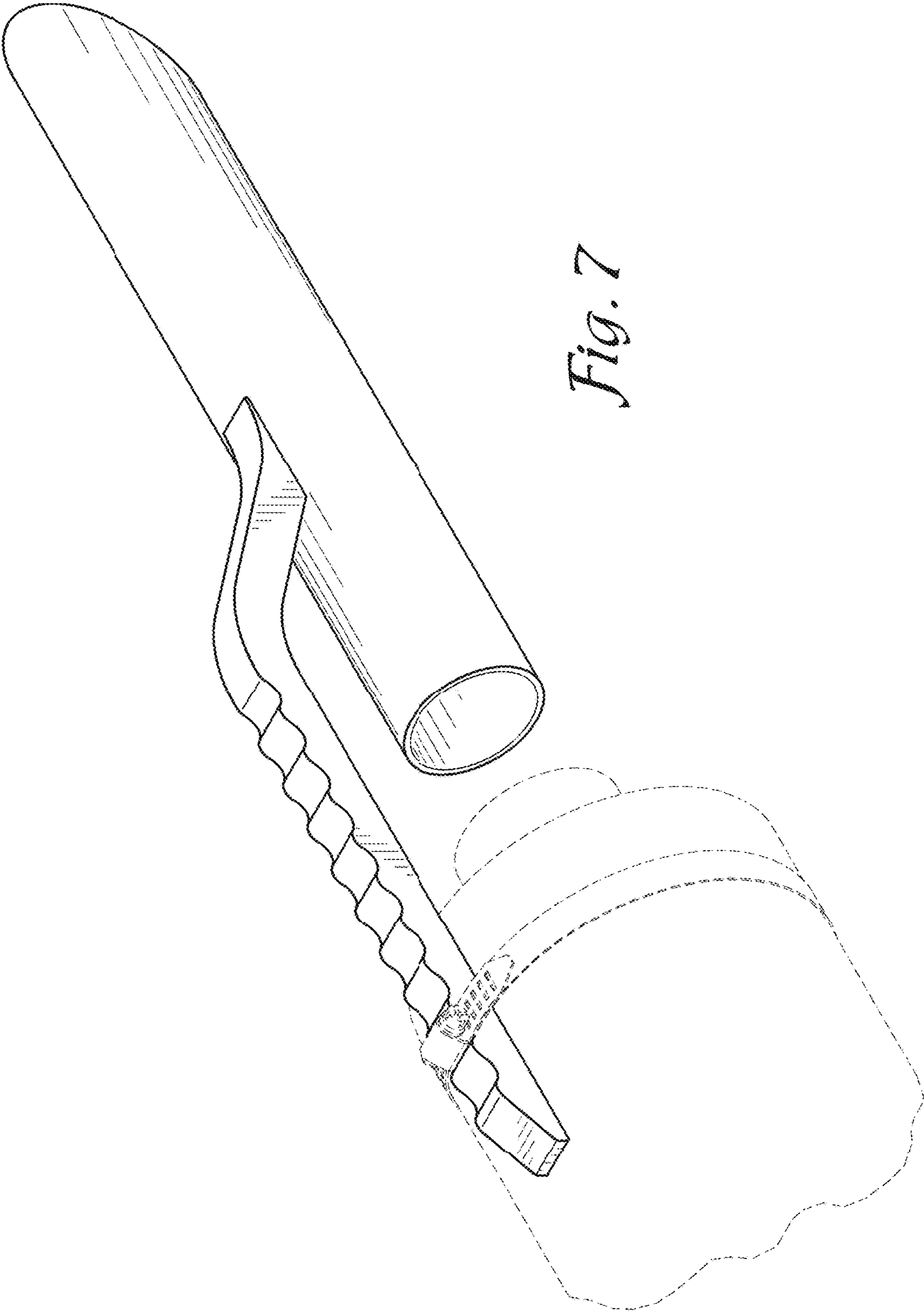


Fig. 7