



US00D856229S

(12) **United States Design Patent**  
**Lethorn et al.**

(10) **Patent No.:** **US D856,229 S**

(45) **Date of Patent:** **\*\* Aug. 13, 2019**

(54) **CALIPER BODY OF A DISC BRAKE FOR VEHICLES**

7,766,132 B2 8/2010 Veneziano et al.  
9,181,999 B2 11/2015 Scotti et al.  
9,291,224 B2 3/2016 Crippa et al.  
2015/0027822 A1 1/2015 Cerutti et al.

(71) Applicant: **AKEBONO BRAKE INDUSTRY CO., LTD**, Chuo-ku, Tokyo (JP)

FOREIGN PATENT DOCUMENTS

(72) Inventors: **Brad Lethorn**, Northville, MI (US);  
**Scott Alan Dubay**, Clinton Township, MI (US)

JP 1228224 1/2005  
WO 2014/091423 A2 6/2014

\* cited by examiner

(73) Assignee: **AKEBONO BRAKE INDUSTRY CO., LTD.**, Tokyo (JP)

*Primary Examiner* — Robert M. Spear

(74) *Attorney, Agent, or Firm* — Daniela M.

Thompson-Walters; The Dobrusin Law Firm, PC

(\*\*) Term: **15 Years**

(21) Appl. No.: **29/573,008**

(57) **CLAIM**

(22) Filed: **Aug. 2, 2016**

The ornamental design of a caliper body of a disc brake for vehicles, as shown and described.

(51) **LOC (12) Cl.** ..... **12-16**

(52) **U.S. Cl.**

USPC ..... **D12/180**

(58) **Field of Classification Search**

USPC ..... D12/160, 180

CPC .... B60T 13/686; B60T 13/588; B60T 8/4077;

B60T 13/142; B60T 13/585; B60T

13/745; F16D 65/0068

See application file for complete search history.

**DESCRIPTION**

FIG. 1 is a front perspective view of a caliper body of a disc brake for vehicles;

FIG. 2 is a rear perspective view of FIG. 1;

FIG. 3 is a top view of FIG. 1;

FIG. 4 is a bottom view of FIG. 1;

FIG. 5 is a front view of FIG. 1;

FIG. 6 is a rear side view of FIG. 1;

FIG. 7 is a left side view of FIG. 1; and,

FIG. 8 is a right side view of FIG. 1.

The broken lines immediately adjacent surfaces depicted in solid lines represent boundaries of the claim.

(56) **References Cited**

U.S. PATENT DOCUMENTS

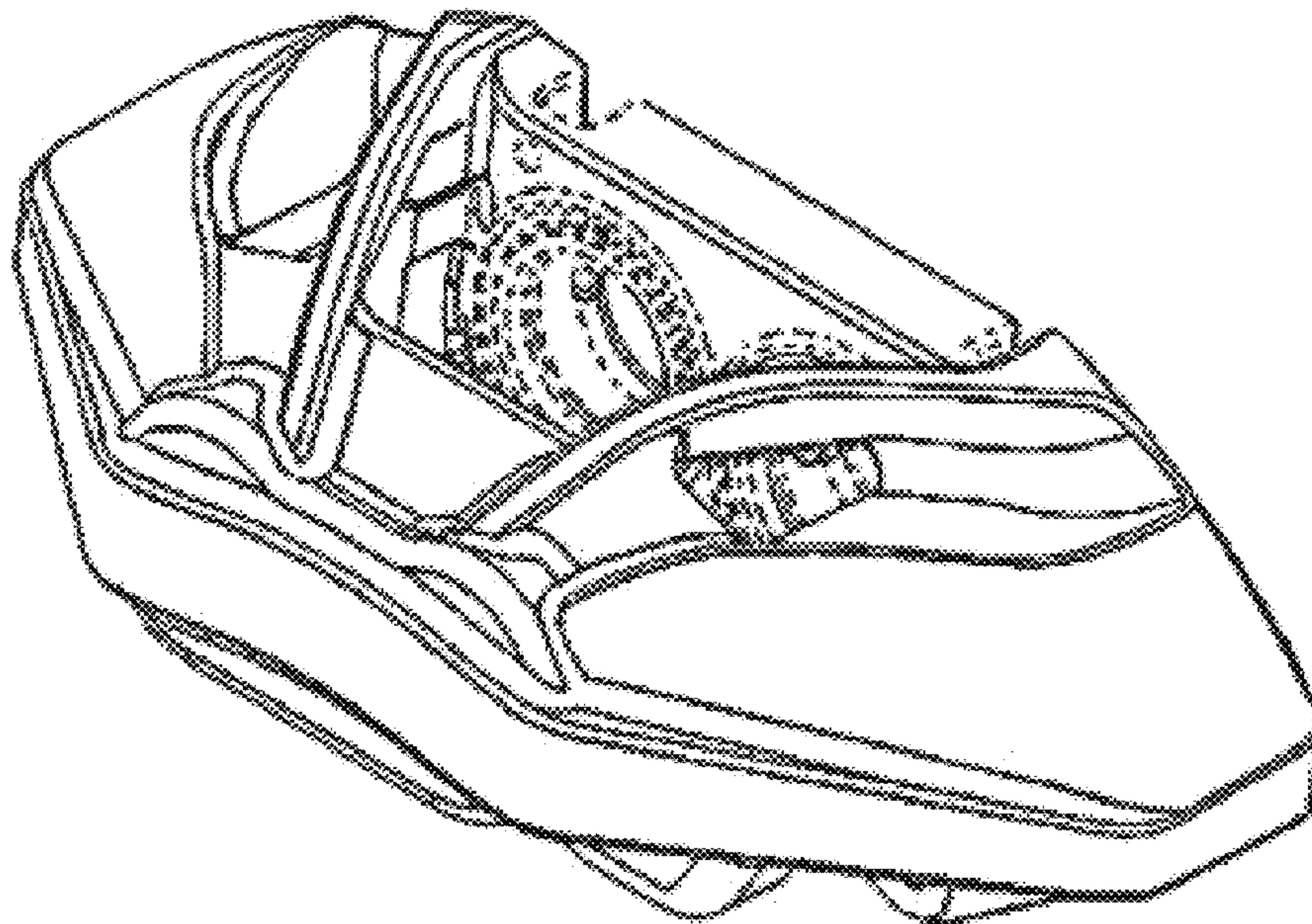
5,343,985 A 9/1994 Thiel et al.

D588,513 S \* 3/2009 Crippa ..... D12/180

D607,793 S \* 1/2010 Maroni ..... D12/180

D610,059 S \* 2/2010 Azimonti ..... D12/180

**1 Claim, 4 Drawing Sheets**



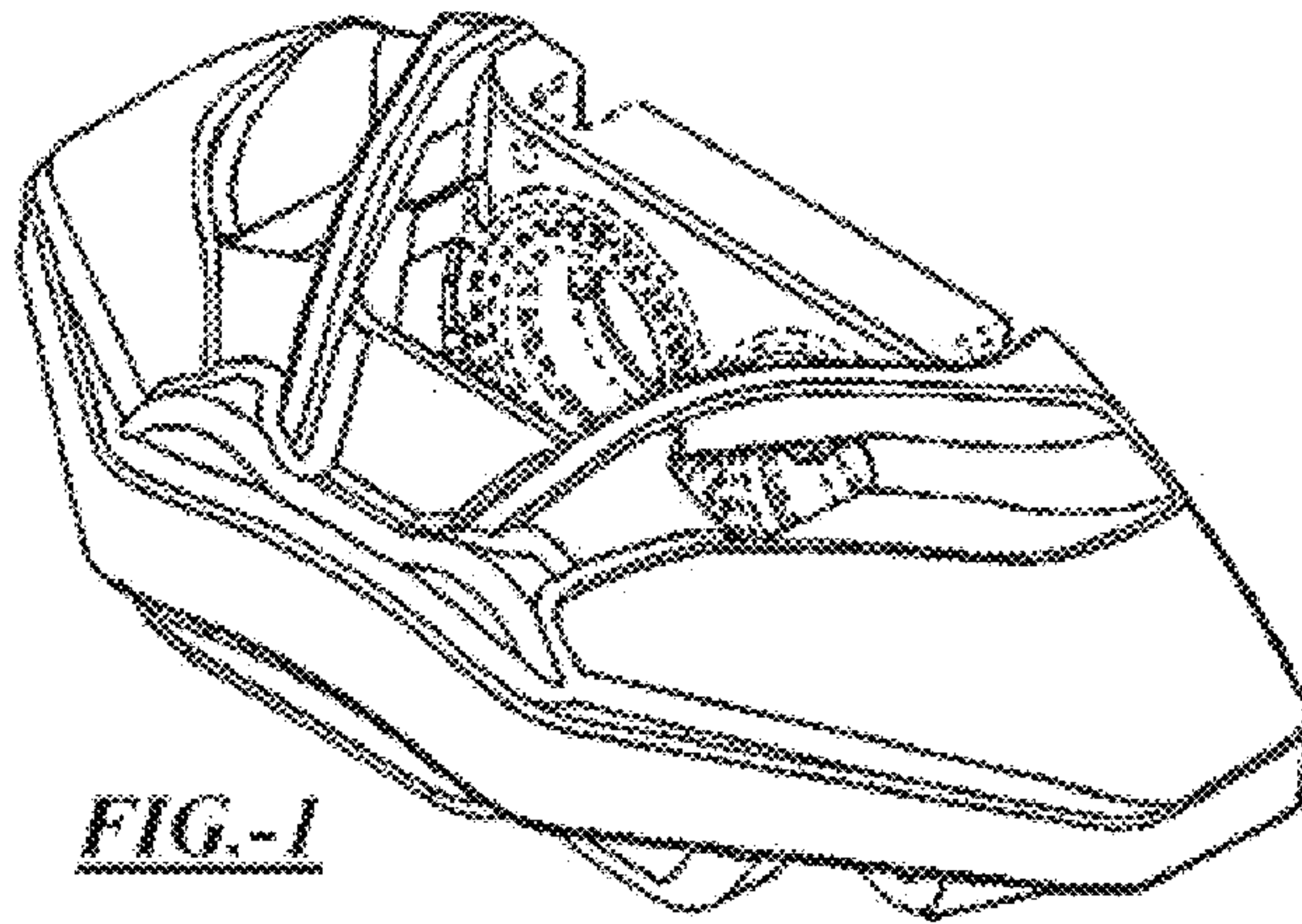


FIG.-1

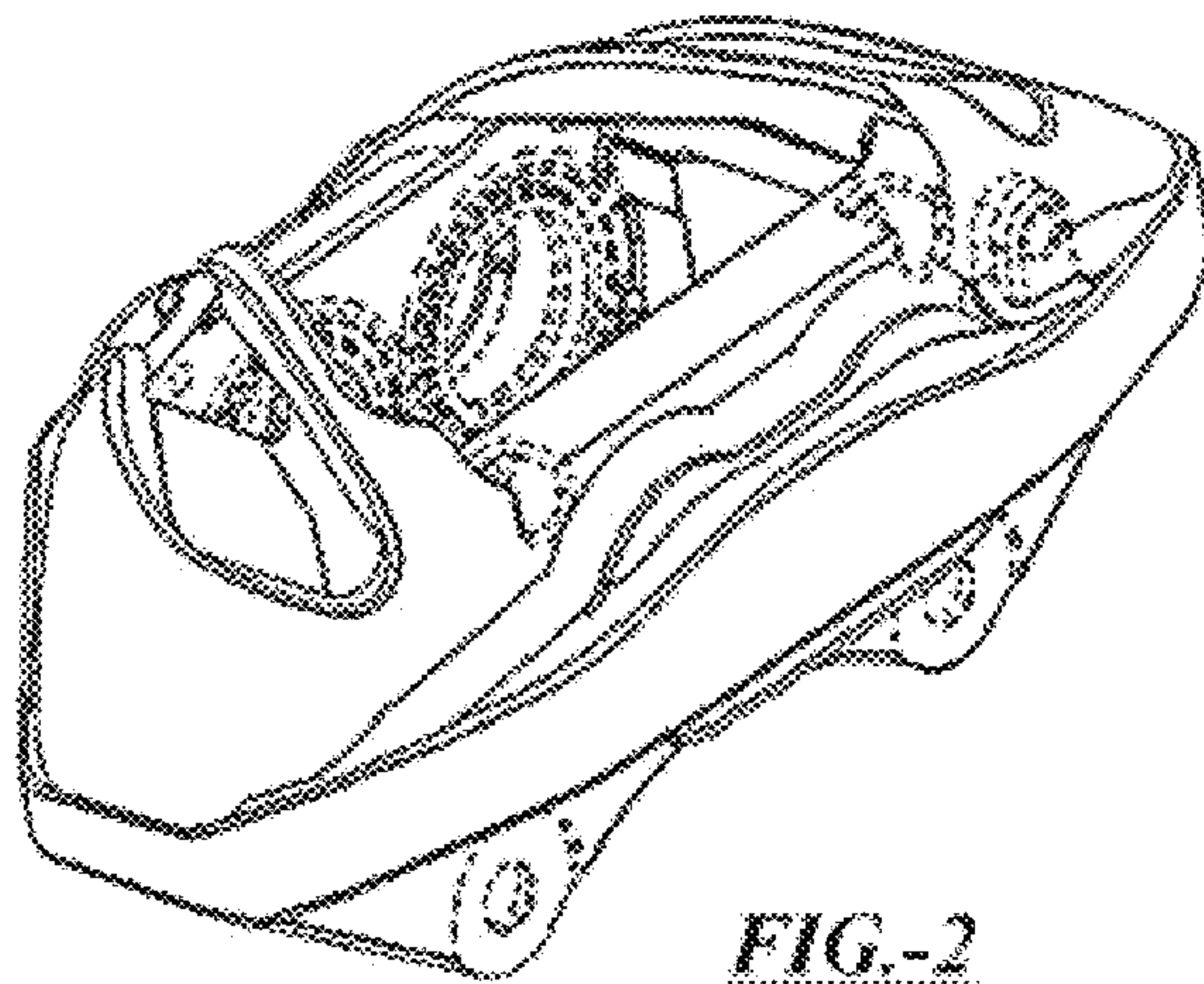


FIG.-2



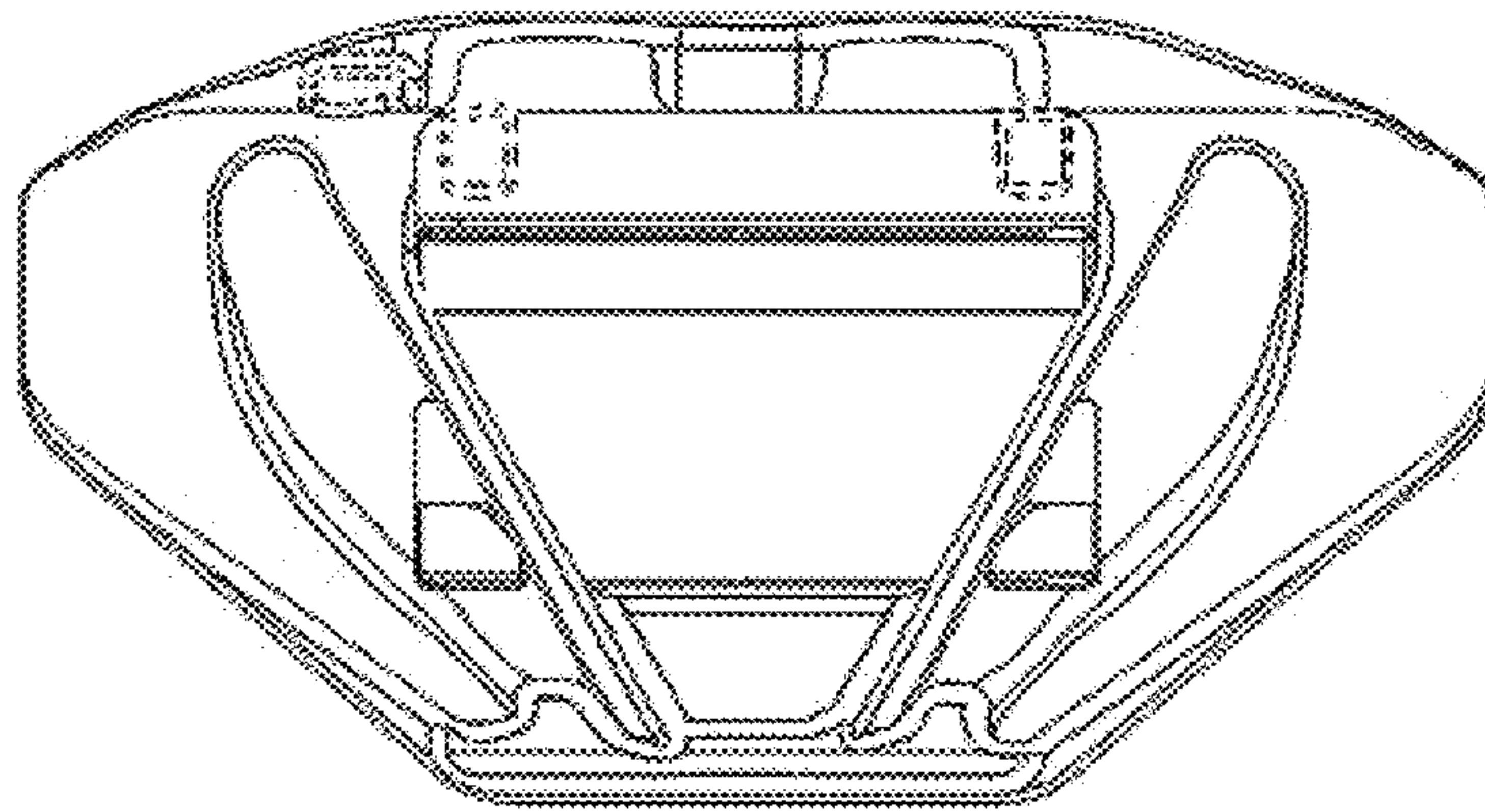


FIG.-3

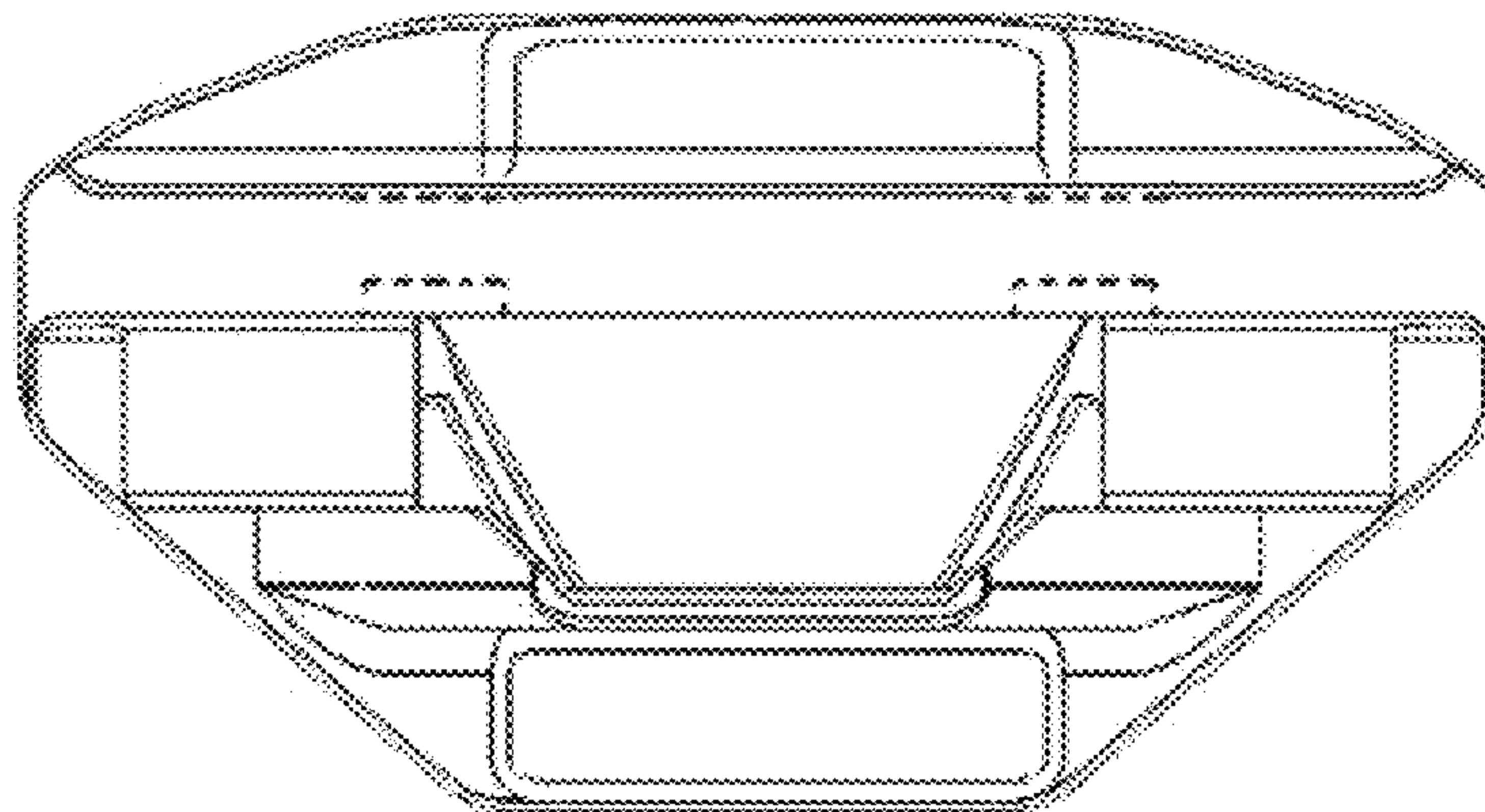


FIG.-4

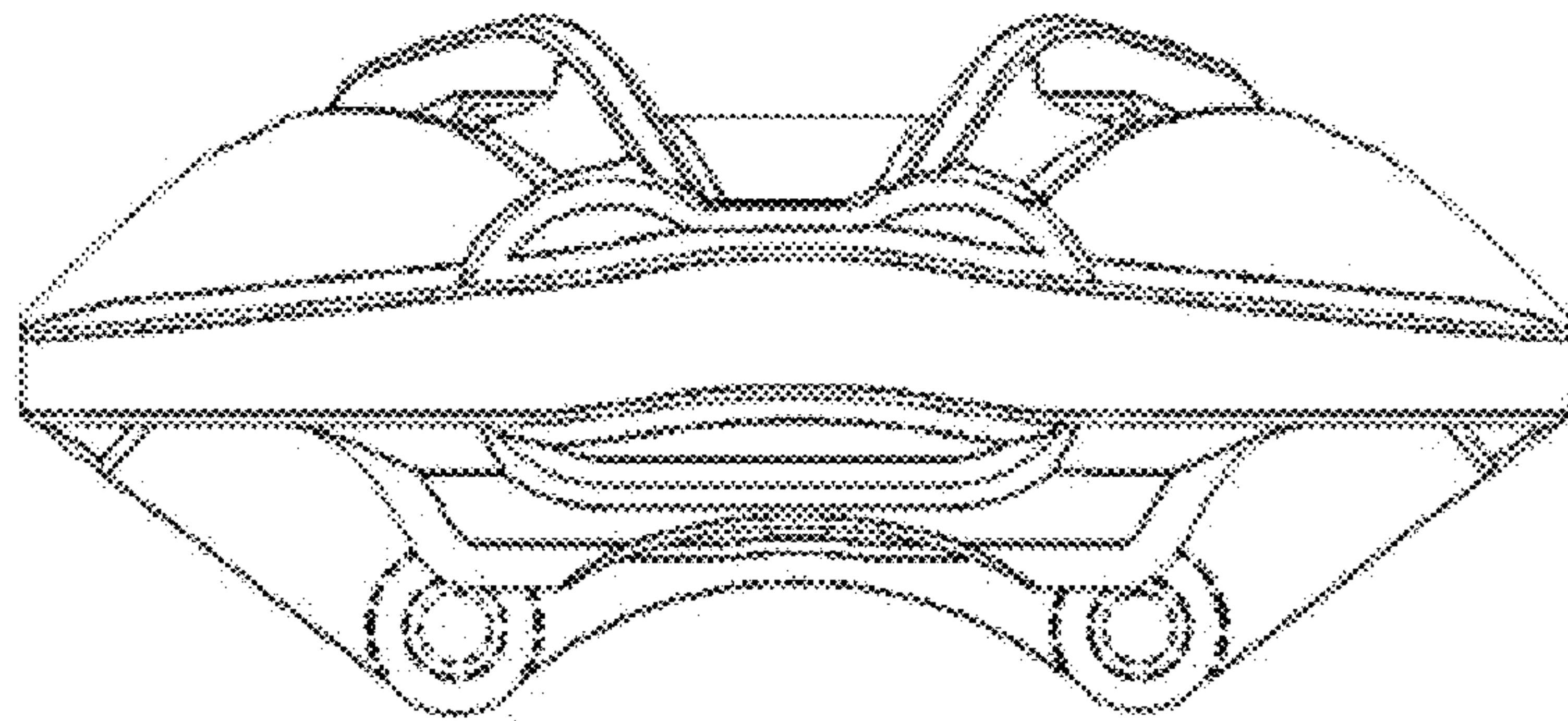


FIG.-5

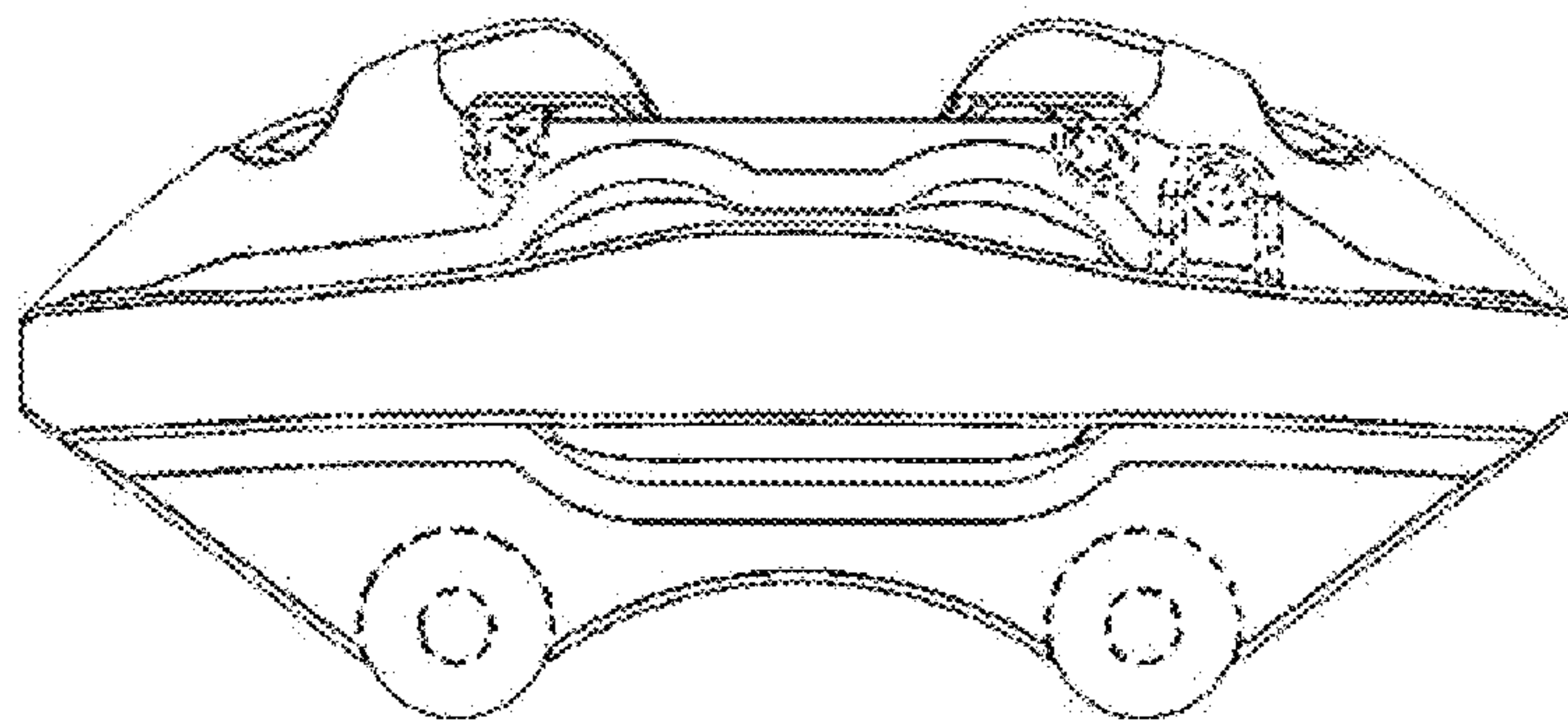


FIG.-6

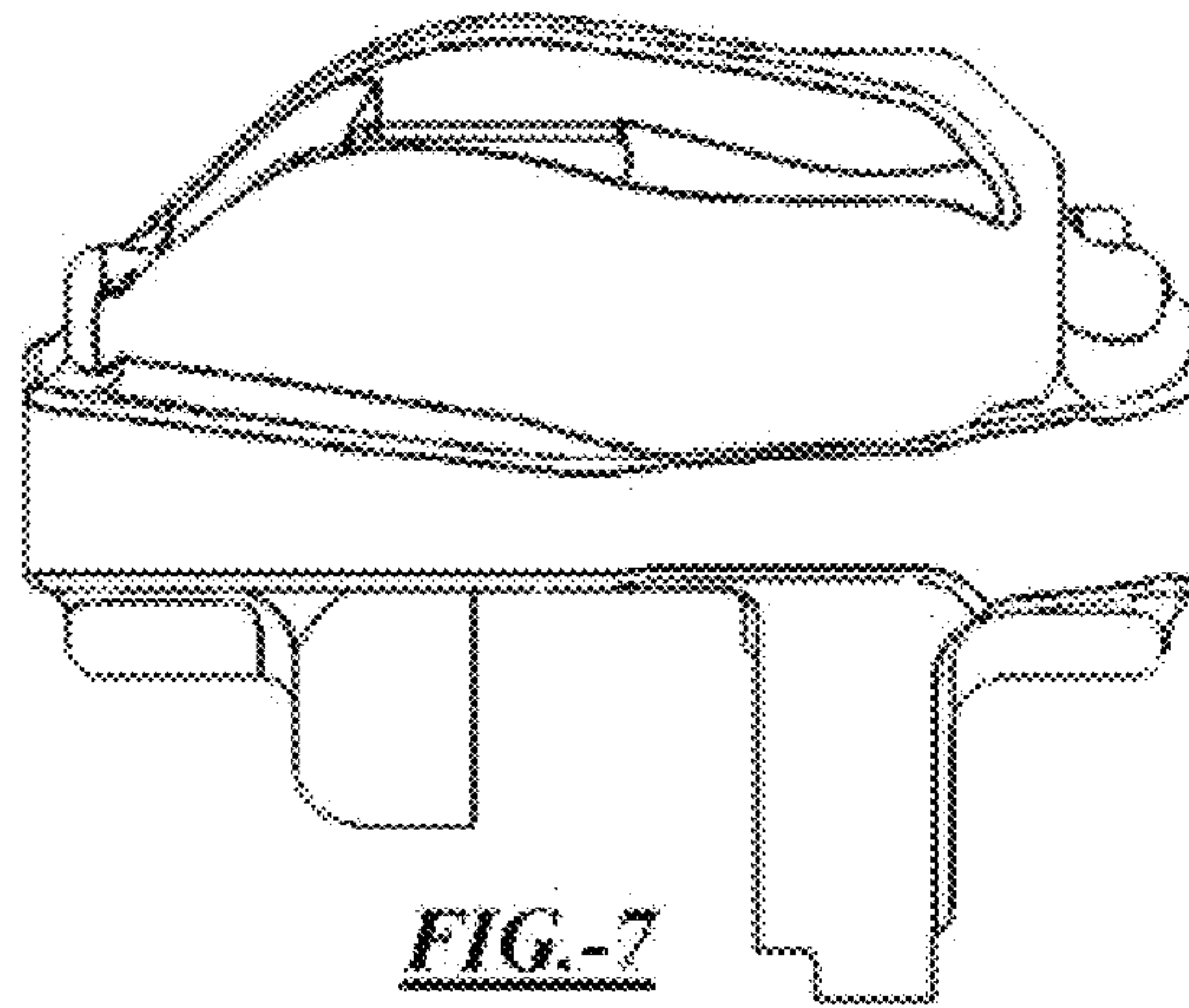


FIG.-7

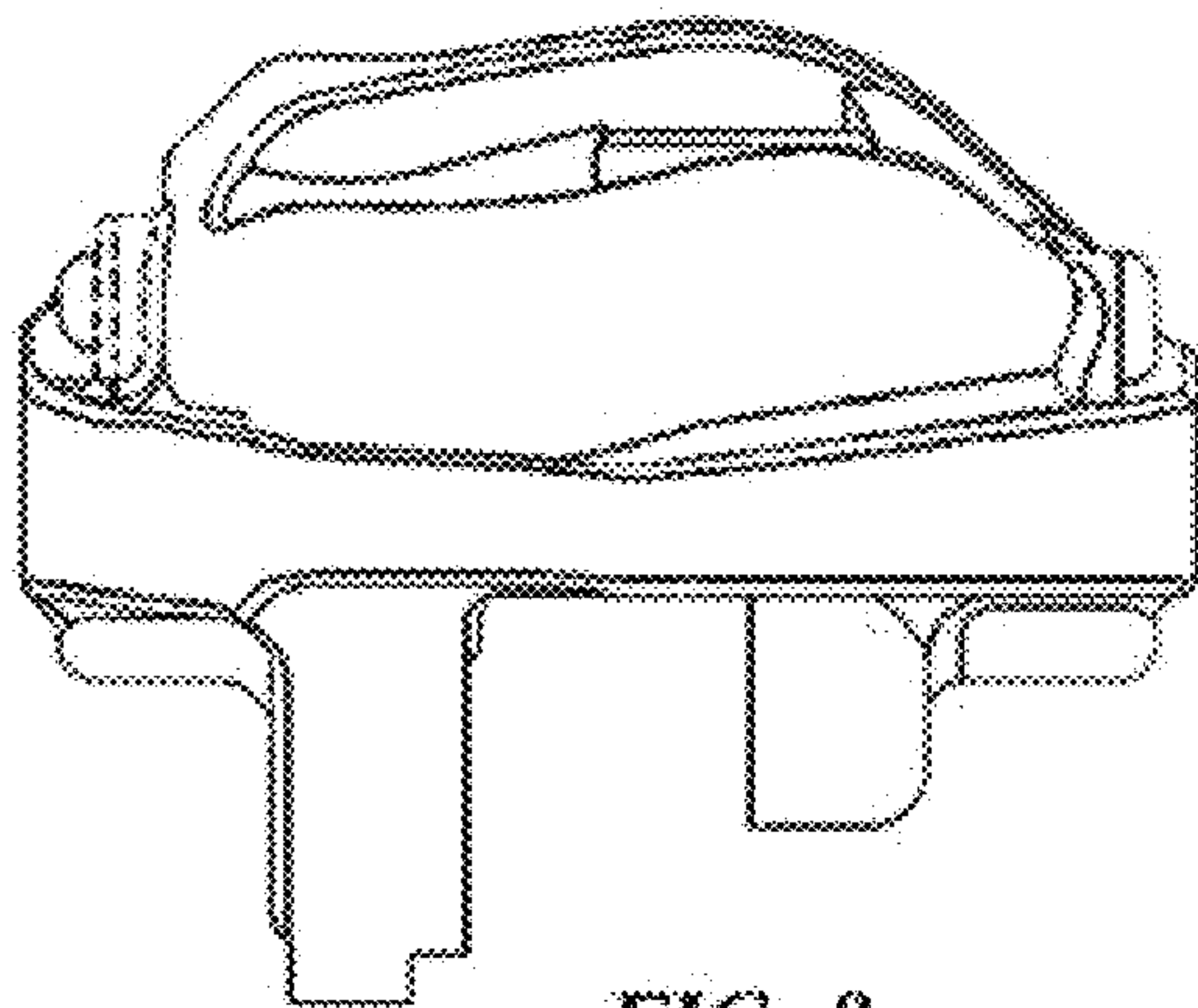


FIG.-8