



US00D856227S

(12) **United States Design Patent** (10) **Patent No.:** **US D856,227 S**
Mariotti et al. (45) **Date of Patent:** **** Aug. 13, 2019**

- (54) **CONTROL AND INDICATOR UNIT FOR A FORKLIFT**
- (71) Applicant: **OM Carrelli Elevatori S.p.A.**, Lainate (IT)
- (72) Inventors: **Fabio Mariotti**, Guastalla (IT);
Fabrizio Castagnoli, Suzzara (IT)
- (73) Assignee: **OM CARRELLI ELEVATORI S.P.A.**, Lainate (IT)
- (**) Term: **15 Years**
- (21) Appl. No.: **29/666,618**
- (22) Filed: **Oct. 15, 2018**

Related U.S. Application Data

- (62) Division of application No. 29/592,242, filed on Jan. 27, 2017.

Foreign Application Priority Data

- Jul. 29, 2016 (EM) 003324011-0001
- Jul. 29, 2016 (EM) 003324011-0002
- Jul. 29, 2016 (EM) 003324011-0003
- Jul. 29, 2016 (EM) 003324011-0004
- Jul. 29, 2016 (EM) 003324011-0005
- Jul. 29, 2016 (EM) 003324011-0006
- Jul. 29, 2016 (EM) 003324011-0007
- Jul. 29, 2016 (EM) 003324011-0008
- Jul. 29, 2016 (EM) 003324011-0009
- Jul. 29, 2016 (EM) 003324011-0010
- Jul. 29, 2016 (EM) 003324011-0011
- Jul. 29, 2016 (EM) 003324011-0012

- (51) **LOC (12) Cl.** **12-16**
- (52) **U.S. Cl.**
USPC **D12/175; D34/35**

- (58) **Field of Classification Search**
USPC D15/10, 28, 17; D12/175, 176, 177;
D34/35
CPC B60R 16/037; B62D 1/00; B62D 1/02;
B62D 1/04; B62D 1/16; B62D 5/003;
G05G 1/10
See application file for complete search history.

(56) **References Cited**

U.S. PATENT DOCUMENTS

- D362,098 S 9/1995 Heiler
- D364,029 S 11/1995 Noonan et al.
- D384,478 S 9/1997 Prehn et al.
- D393,493 S 4/1998 Lee
- D441,515 S 5/2001 Brandt et al.
- D445,552 S 7/2001 Pulskamp et al.
- D445,553 S 7/2001 Pulskamp et al.
- D497,463 S 10/2004 Swetish
- D515,770 S 2/2006 Ryan et al.
- D563,074 S 2/2008 Standke
- D566,132 S 4/2008 Mack

(Continued)

Primary Examiner — Mark A Goodwin

(74) *Attorney, Agent, or Firm* — The Webb Law Firm

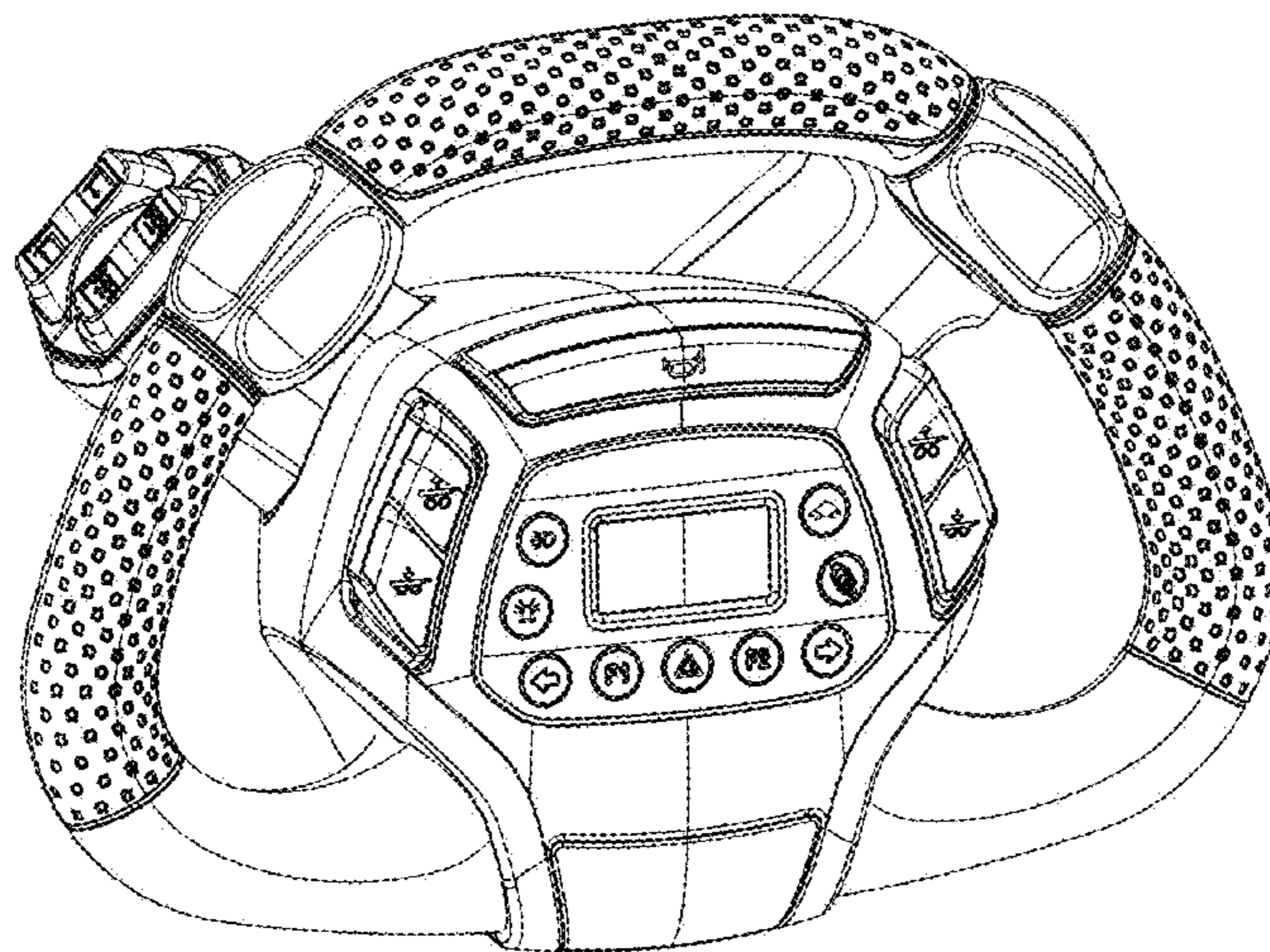
(57) **CLAIM**

The ornamental design for a control and indicator unit for a forklift, as shown and described.

DESCRIPTION

FIG. 1 is a front perspective view of an embodiment of a control and indicator unit for a forklift in accordance with the present design;
 FIG. 2 is a left side perspective view thereof;
 FIG. 3 is a rear perspective view thereof;
 FIG. 4 is a front elevation view thereof;
 FIG. 5 is a left side elevation view thereof;
 FIG. 6 is a rear elevation view thereof;
 FIG. 7 is a right side elevation view thereof;
 FIG. 8 is a top plan view thereof; and,
 FIG. 9 is a bottom plan view thereof.

1 Claim, 9 Drawing Sheets



(56)

References Cited

U.S. PATENT DOCUMENTS

D569,773	S	5/2008	Niebuhr	
D590,122	S	4/2009	Shaw et al.	
D593,274	S	5/2009	Knie et al.	
D598,023	S	8/2009	Miller et al.	
D619,516	S	7/2010	Niebuhr	
D626,714	S	11/2010	Standke	
D659,343	S	5/2012	Saitou et al.	
D659,939	S	5/2012	Saitou et al.	
D685,397	S	7/2013	Anderson et al.	
D685,398	S	7/2013	Graham et al.	
D737,184	S *	8/2015	Oosuda	D12/175
D760,632	S	7/2016	Muhl	
2001/0007294	A1	7/2001	Nigrin et al.	
2005/0121889	A1 *	6/2005	Enders	B60R 21/203 280/731
2005/0199436	A1 *	9/2005	Schroder	B62D 1/046 180/402

* cited by examiner

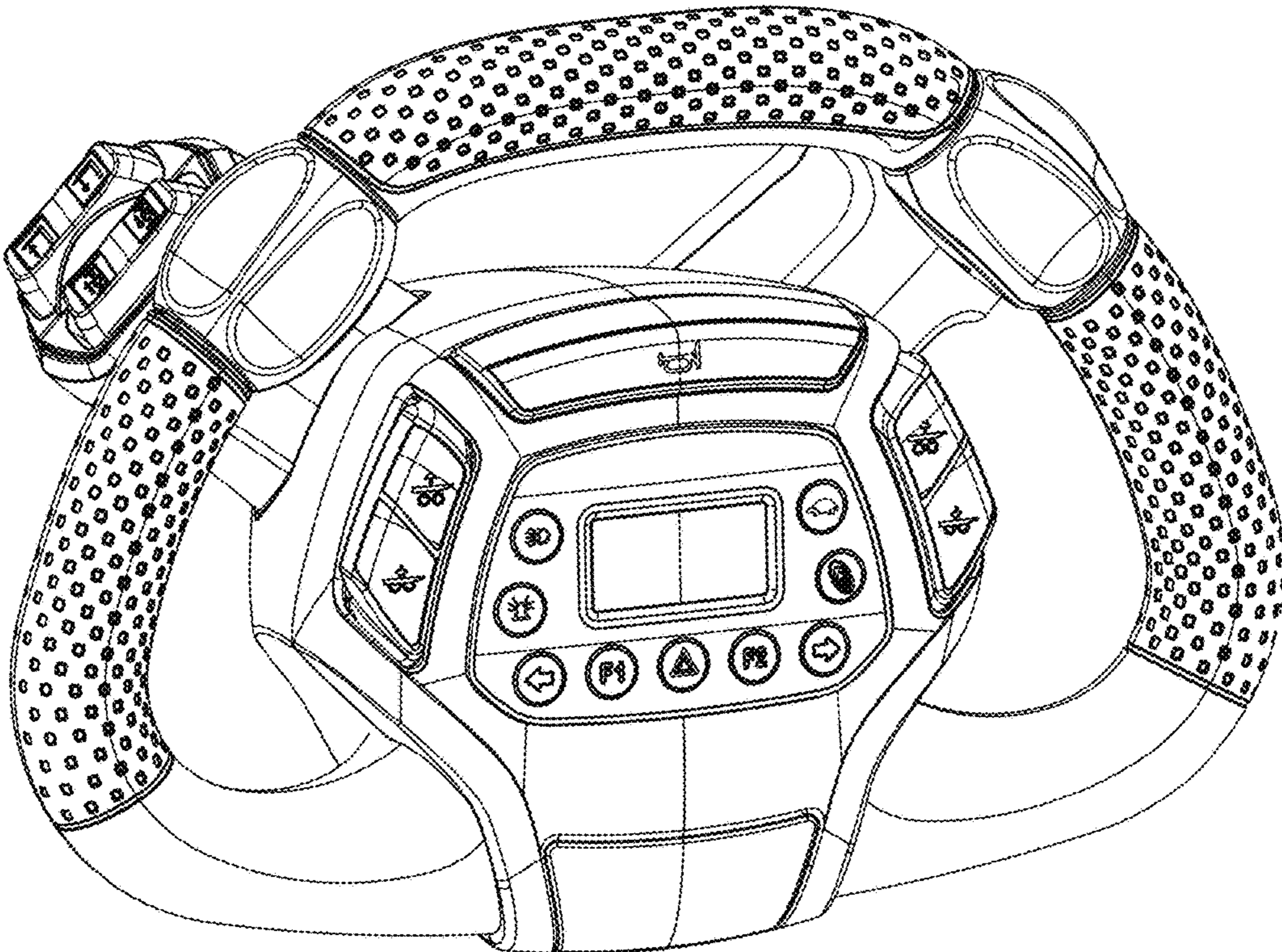


FIG. 1

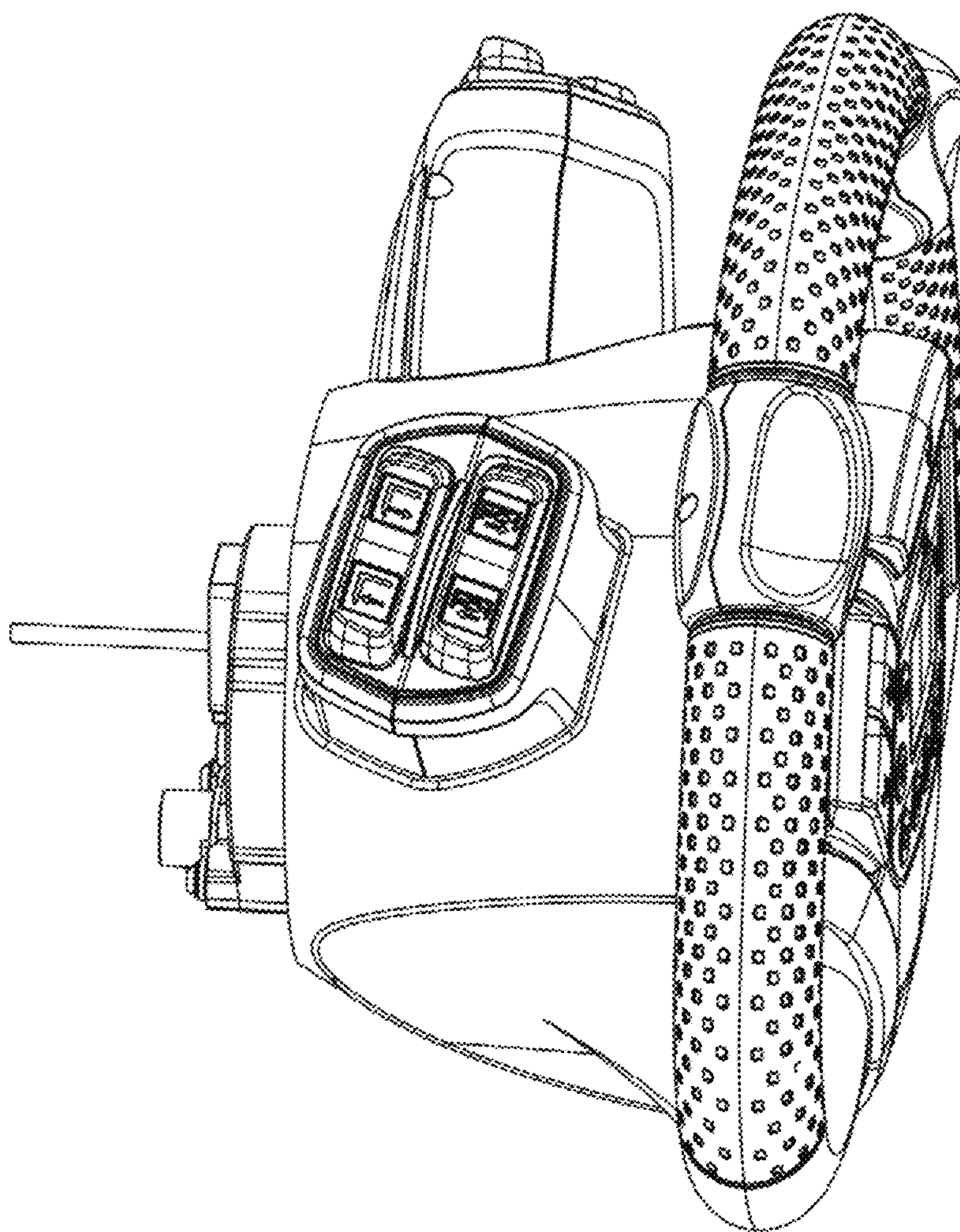


FIG. 2

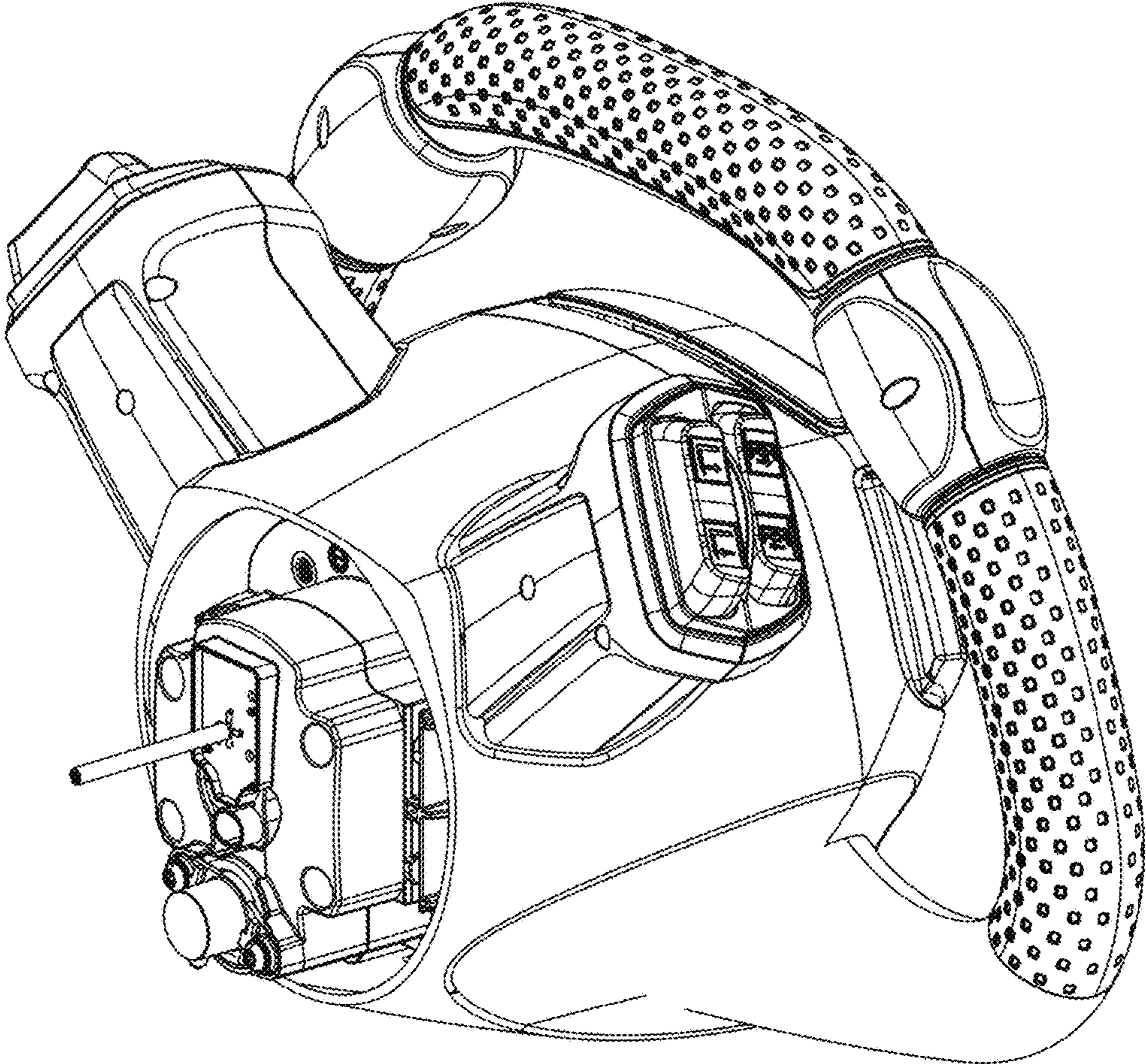


FIG. 3

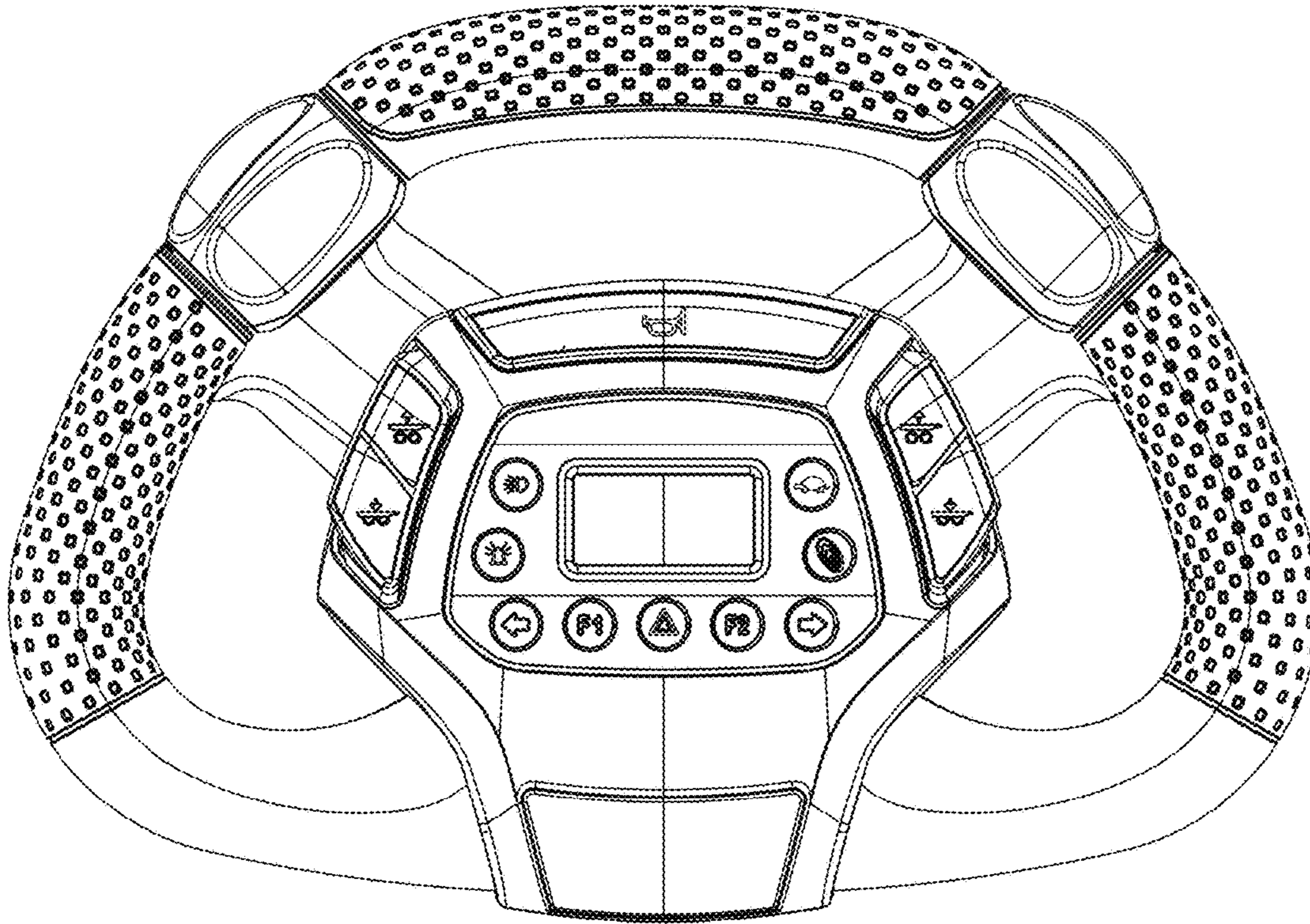


FIG. 4

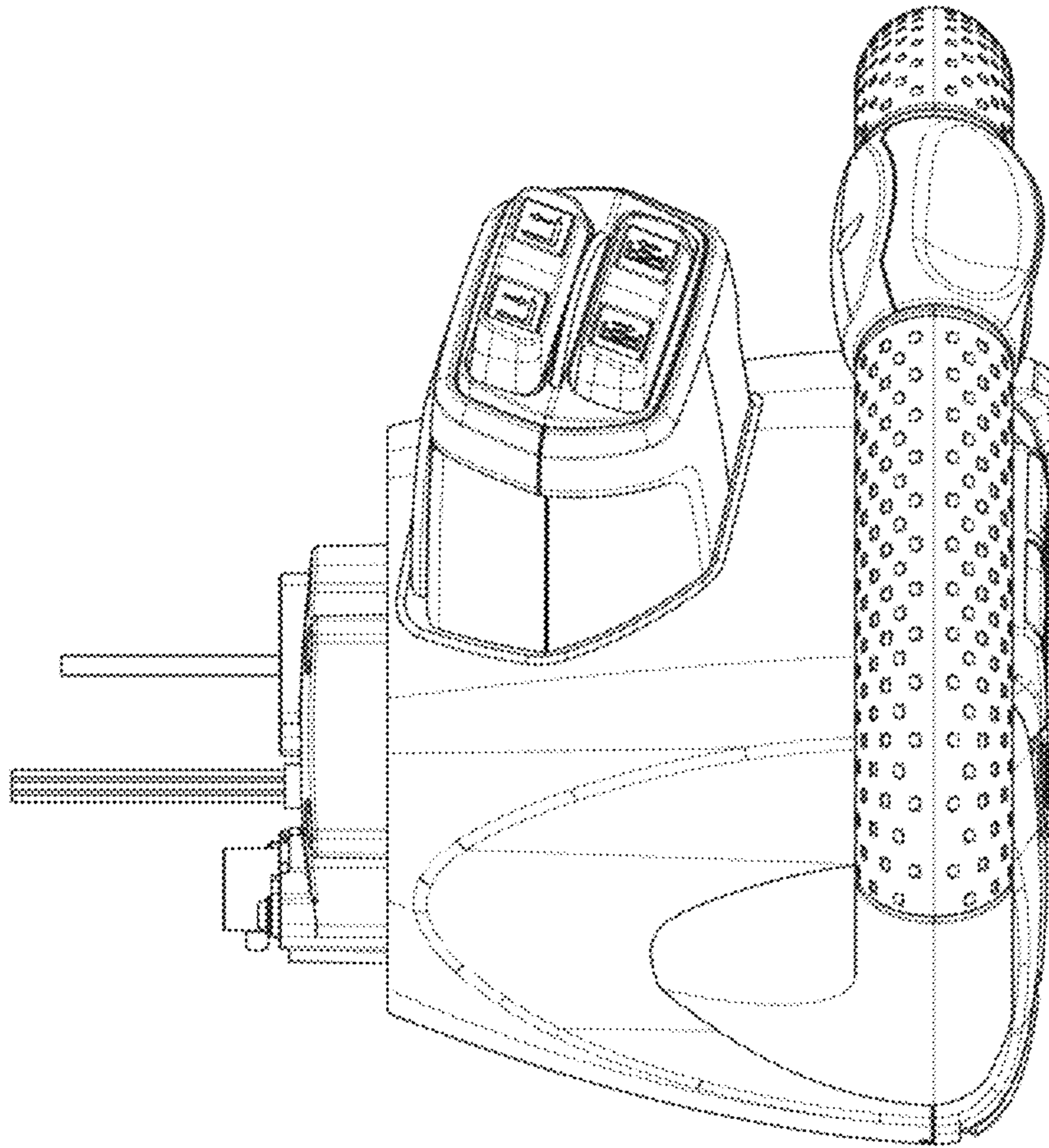


FIG. 5

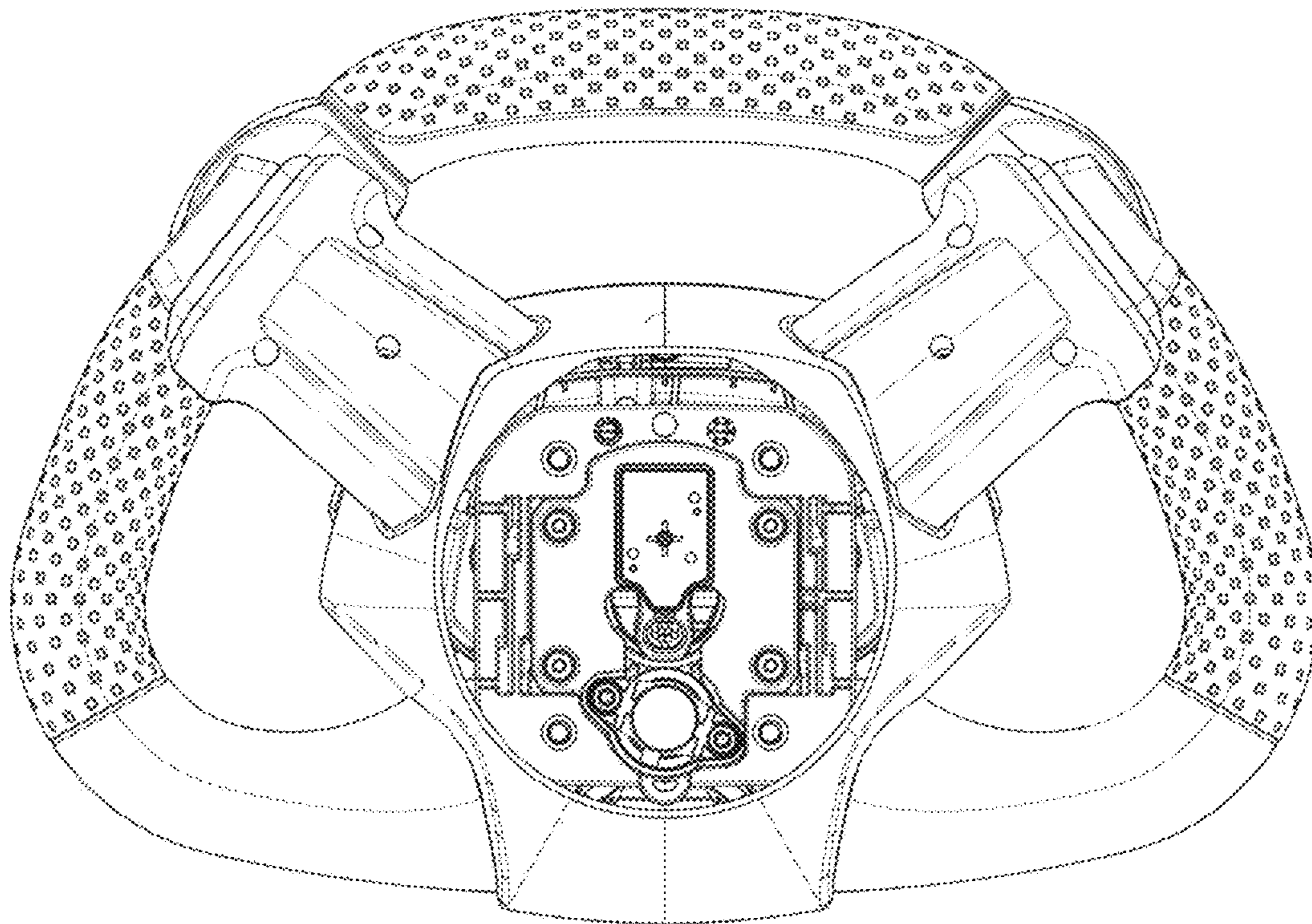


FIG. 6

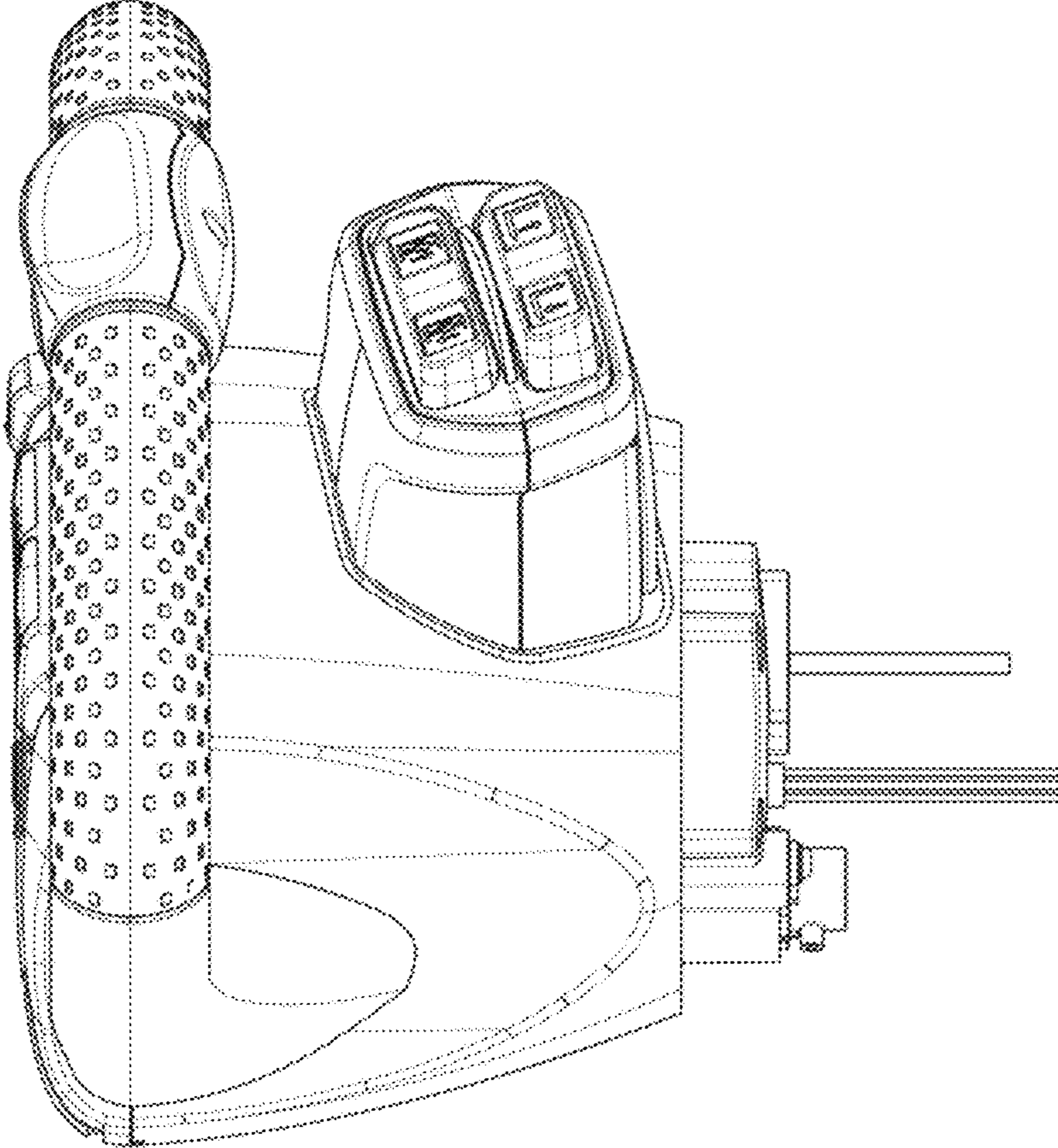


FIG. 7

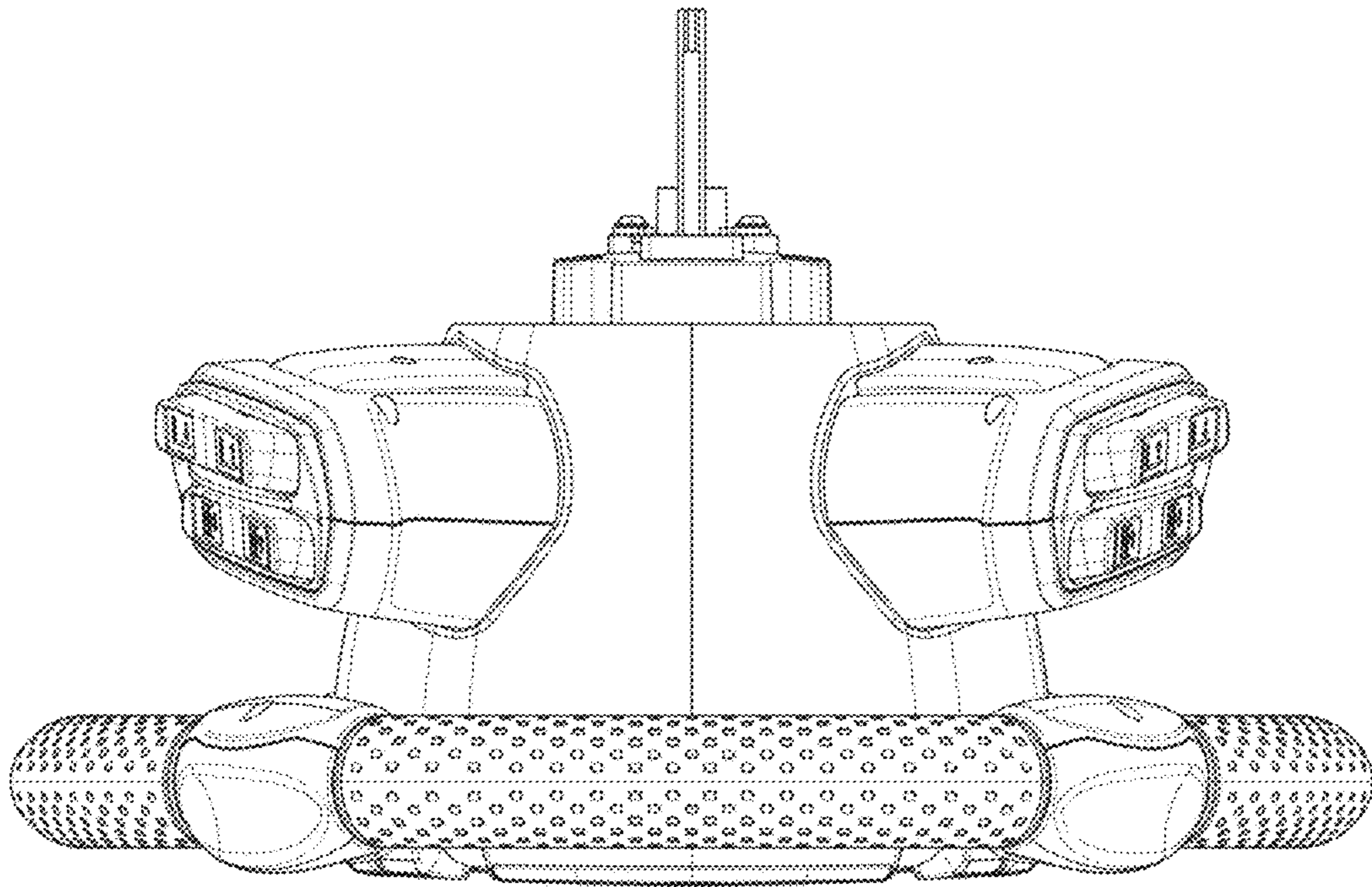


FIG. 8

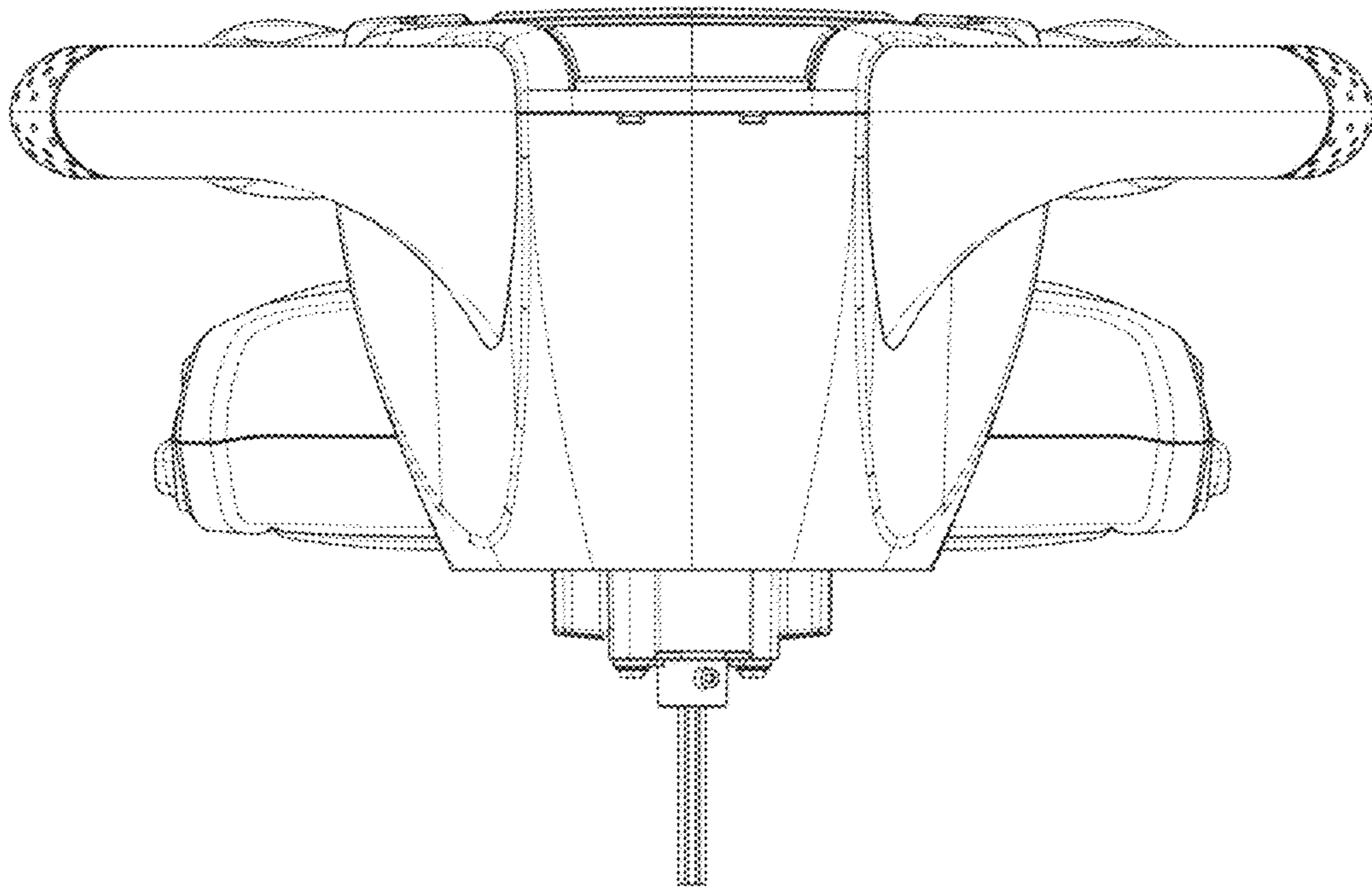


FIG. 9