

US00D856225S

(12) **United States Design Patent**
Kim et al.

(10) **Patent No.:** **US D856,225 S**

(45) **Date of Patent:** **** Aug. 13, 2019**

(54) **AUTOMOBILE BUMPER**

(71) Applicant: **HYUNDAI MOTOR COMPANY,**
Seoul (KR)

(72) Inventors: **Yong-Cheol Kim,** Daejeon (KR);
Hyung-Jin Park, Incheon (KR);
Sang-Jin Hong, Suwon-si (KR);
Dae-Keun Ryu, Seoul (KR); **Jin-Hyuk**
Bae, Daegu (KR); **Sung-No Kim,**
Ansan-si (KR)

(**) Term: **15 Years**

(21) Appl. No.: **35/505,090**

(22) Filed: **Apr. 17, 2018**

(80) **Hague Agreement Data**

Int. Filing Date: **Apr. 17, 2018**

Int. Reg. No.: **DM/101210**

Int. Reg. Date: **Apr. 17, 2018**

Int. Reg. Pub. Date: **Jun. 8, 2018**

(30) **Foreign Application Priority Data**

Feb. 26, 2018 (KR) 30-2018-0009407

(51) **LOC (12) Cl.** **12-16**

(52) **U.S. Cl.**
USPC **D12/169**

(58) **Field of Classification Search**

USPC D12/86, 90, 91, 92, 163, 164, 169, 171,
D12/196, 216

CPC B60R 19/02; B60R 19/18; B60R 19/24;
B60R 19/56; B60R 2019/007

See application file for complete search history.

(56) **References Cited**

U.S. PATENT DOCUMENTS

D678,146 S * 3/2013 Behmer D12/169

D749,469 S * 2/2016 Curic D12/169

D751,003 S * 3/2016 Rupar D12/163
D751,009 S * 3/2016 Behmer D12/169
D751,010 S * 3/2016 Behmer D12/169
D763,744 S * 8/2016 Behmer D12/169
D775,038 S * 12/2016 Frascella D12/169
D776,021 S * 1/2017 Kapitonov D12/169
D793,294 S * 8/2017 Lee D12/169
D797,616 S * 9/2017 Lee D12/169
D803,738 S * 11/2017 Granlund D12/169
D807,253 S * 1/2018 Piscitelli D12/169
D807,255 S * 1/2018 Piscitelli D12/169
D811,963 S * 3/2018 Sullivan D12/169
D813,743 S * 3/2018 Lee D12/169
D813,745 S * 3/2018 Behmer D12/169
D813,756 S * 3/2018 Loeb D12/169
D816,563 S * 5/2018 McMahan D12/169
D819,524 S * 6/2018 Behmer D12/169
D823,193 S * 7/2018 Kamiura D12/169
D825,408 S * 8/2018 Bucher D12/169

* cited by examiner

Primary Examiner — Darlington Ly

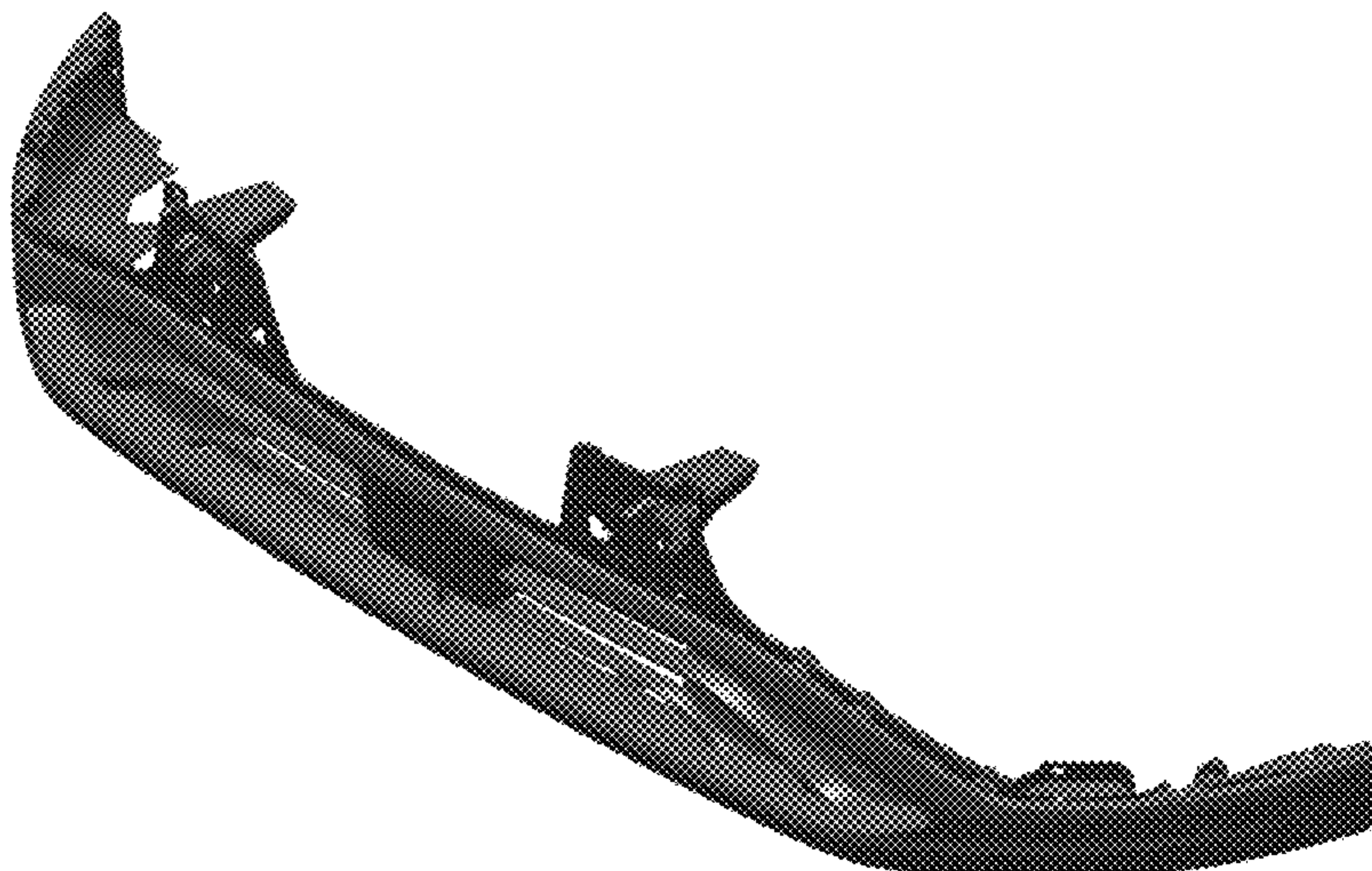
(57) **CLAIM**

The ornamental design for an automobile bumper, as shown and described.

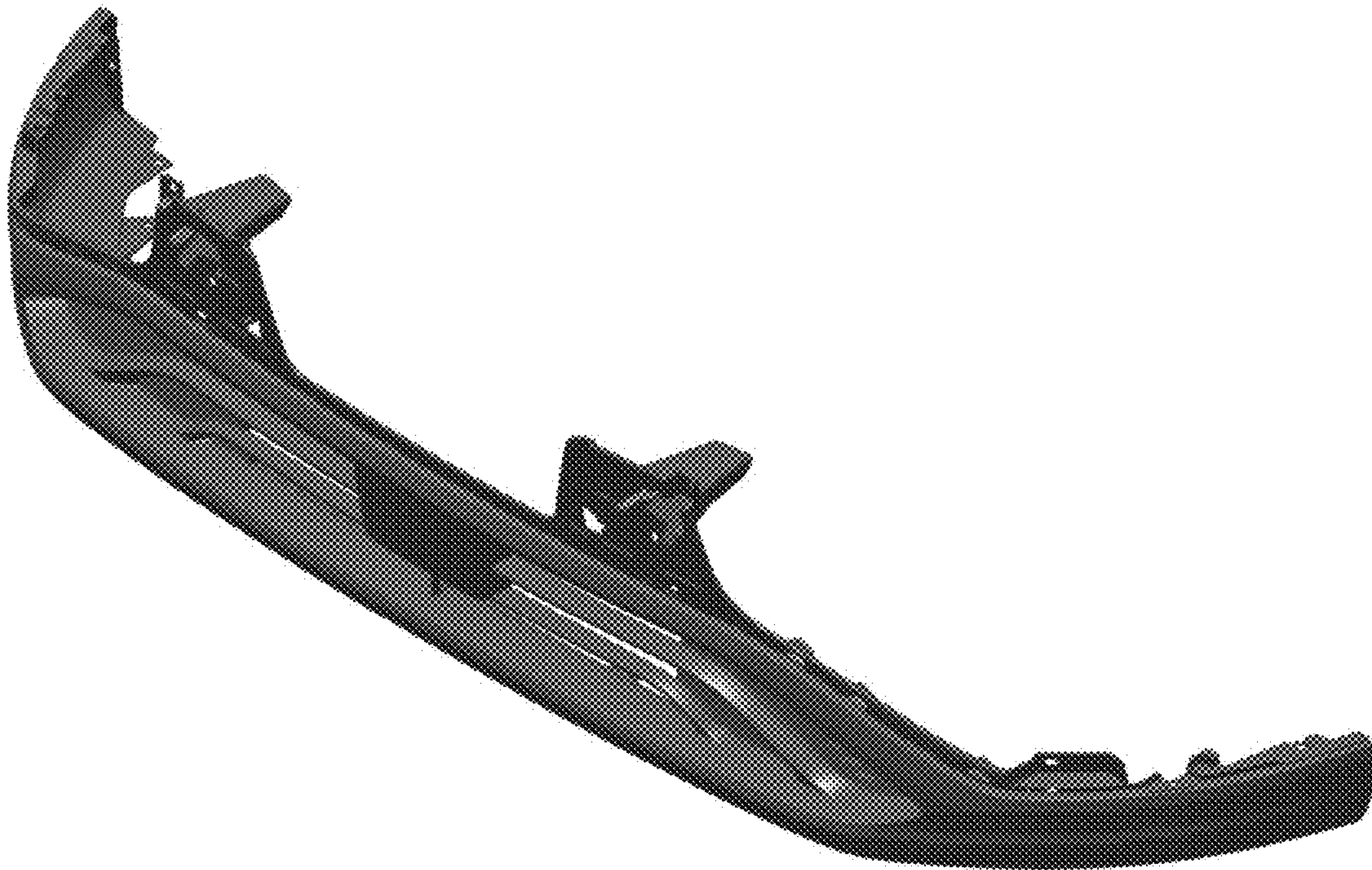
DESCRIPTION

1. Automobile bumper
1.1 is a front and left side perspective view of an automobile bumper showing our new design;
1.2 is a front elevation view thereof;
1.3 is a rear elevation view thereof;
1.4 is a right side elevation view thereof;
1.5 is a left side elevation view thereof;
1.6 is a top plan view thereof; and
1.7 is a bottom plan view thereof.

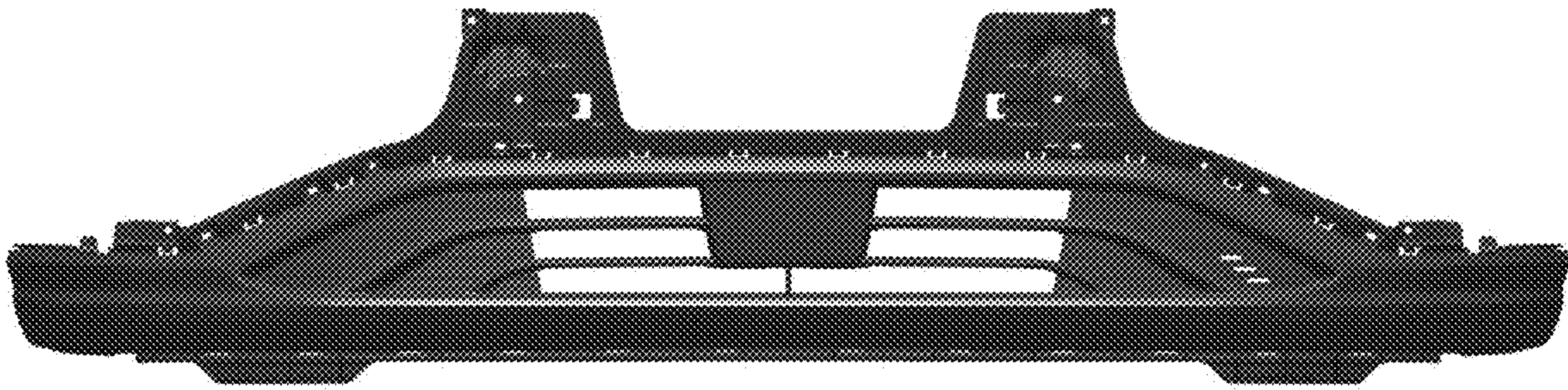
1 Claim, 7 Drawing Sheets



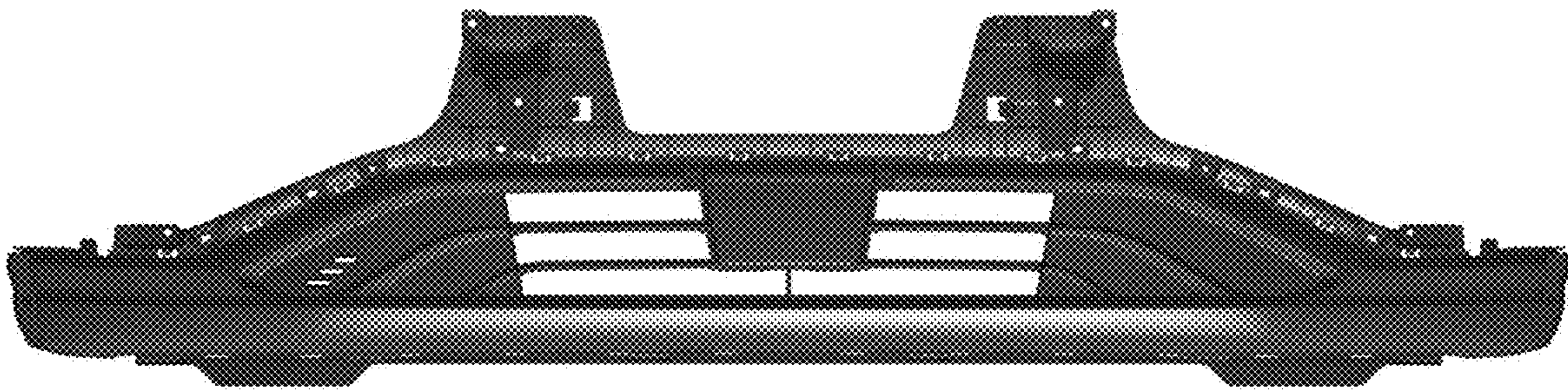
1.1



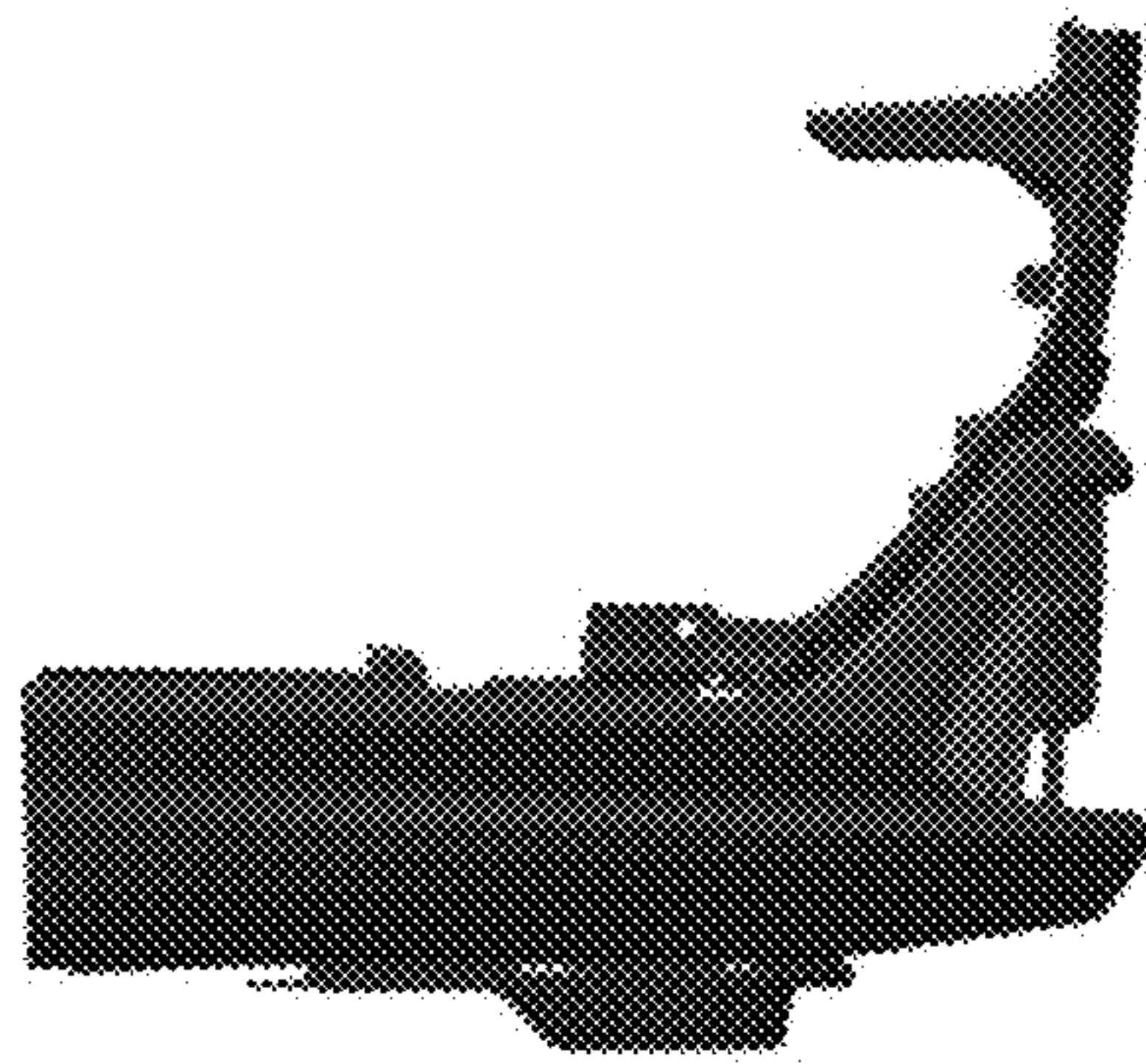
1.2



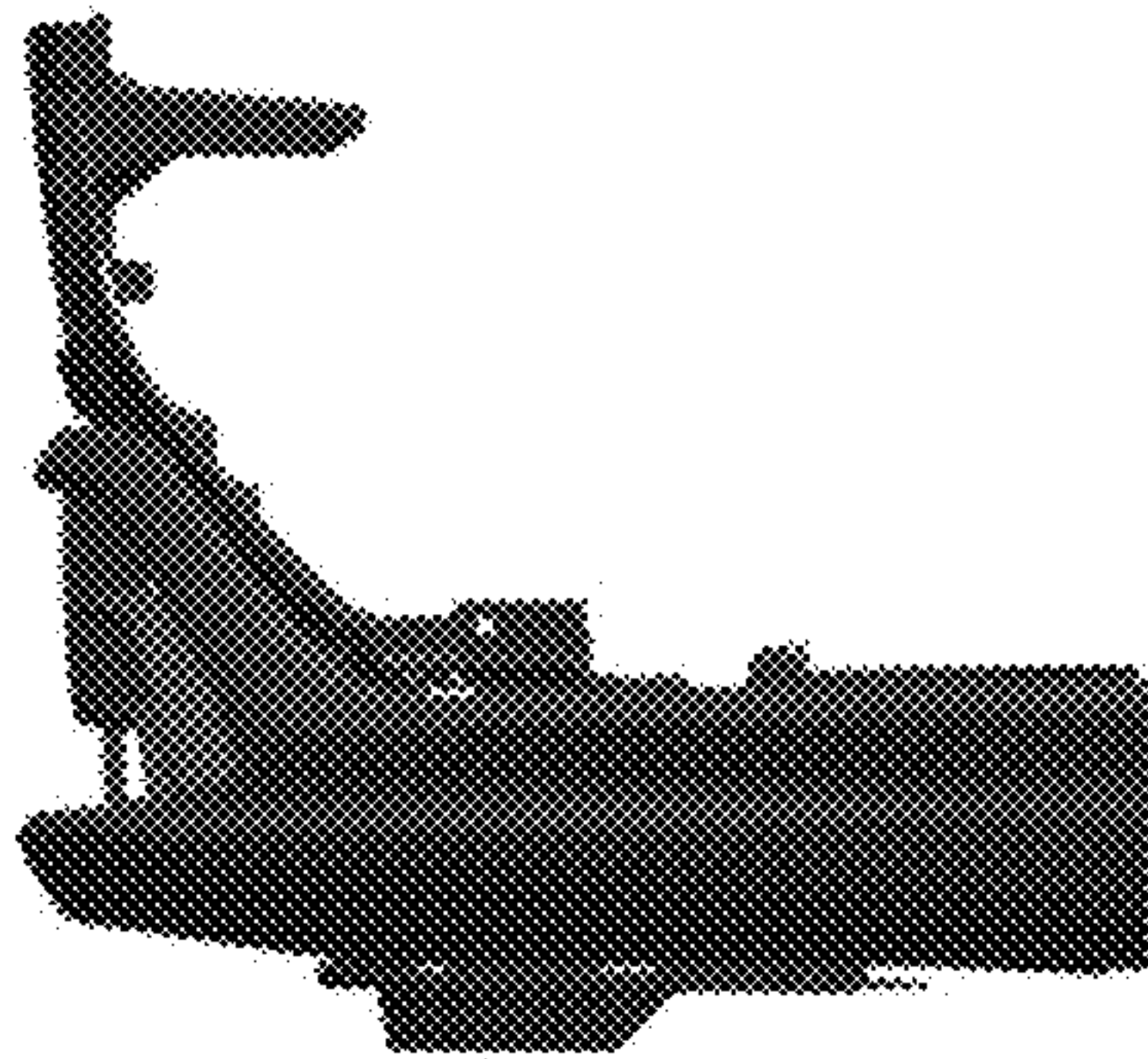
1.3



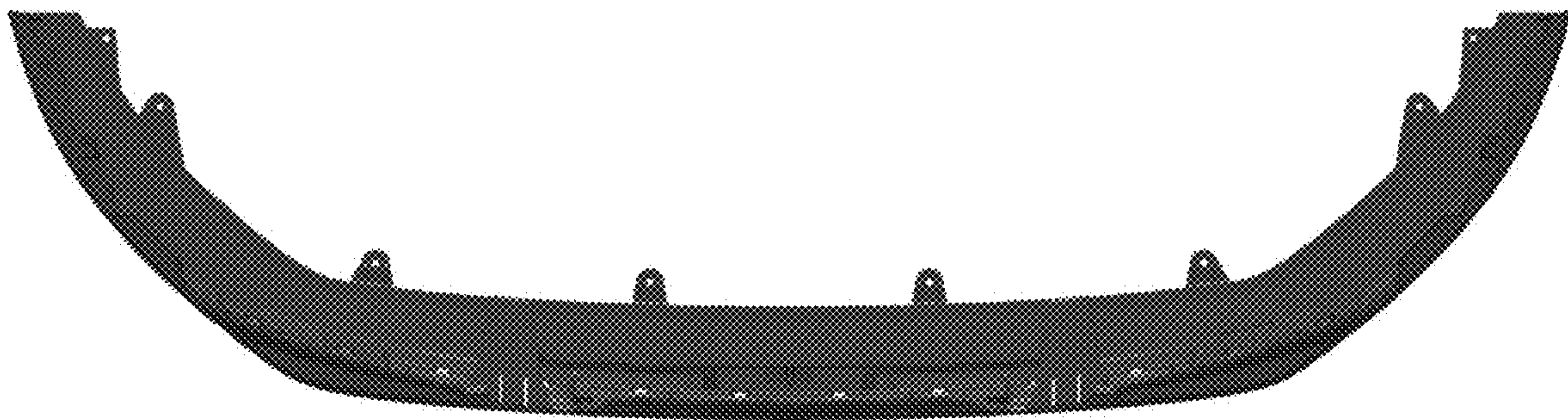
1.4



1.5



1.6



1.7

