

US00D856223S

(12) **United States Design Patent**
Thogersen

(10) **Patent No.:** **US D856,223 S**

(45) **Date of Patent:** **** Aug. 13, 2019**

(54) **REAR BUMPER FOR A VEHICLE**
(71) Applicant: **Bayerische Motoren Werke**
Aktiengesellschaft, Munich (DE)

(72) Inventor: **Anders Thogersen, Munich (DE)**

(73) Assignee: **Bayerische Motoren Werke**
Aktiengesellschaft, Munich (DE)

(**) Term: **15 Years**

(21) Appl. No.: **29/646,413**

(22) Filed: **May 4, 2018**

(30) **Foreign Application Priority Data**

Nov. 10, 2017 (DE) 40 2017 101 231

(51) **LOC (12) Cl.** **12-16**

(52) **U.S. Cl.**
USPC **D12/169**

(58) **Field of Classification Search**
USPC D12/169, 216, 90-92, 86, 171, 196, 163,
D12/164; 293/102, 113, 115, 117, 120;
296/180.1, 180.2

CPC B60R 19/02; B60R 19/04; B62D 25/08
See application file for complete search history.

(56) **References Cited**

U.S. PATENT DOCUMENTS

D772,121 S 11/2016 Luk
D792,291 S * 7/2017 Suga D12/169
D813,110 S * 3/2018 Whitla D12/169
D824,301 S * 7/2018 Lim D12/169

D824,818 S * 8/2018 Morikawa D12/169
D826,113 S * 8/2018 Kanai D12/169
D827,517 S * 9/2018 Whang D12/169
D842,777 S * 3/2019 Austin D12/169

FOREIGN PATENT DOCUMENTS

WO WO DM/076560 2/2012
WO WO DM/078976 2/2013

* cited by examiner

Primary Examiner — Melody N Brown

(74) *Attorney, Agent, or Firm* — Crowell & Moring LLP

(57) **CLAIM**

The ornamental design for a rear bumper for a vehicle, as shown and described.

DESCRIPTION

This application contains subject matter related to the following co-pending U.S. design patent applications:

Application Ser. No. 29/646,403, filed herewith and entitled “Vehicle, Toy, and/or Replicas Thereof”; and

Application Ser. No. 29/646,414, filed herewith and entitled “Rear Bumper for a Vehicle”.

FIG. 1 is a front view of a rear bumper for a vehicle according to the design;

FIG. 2 is a left, front perspective view thereof;

FIG. 3 is a right, front perspective view thereof;

FIG. 4 is a left side view thereof;

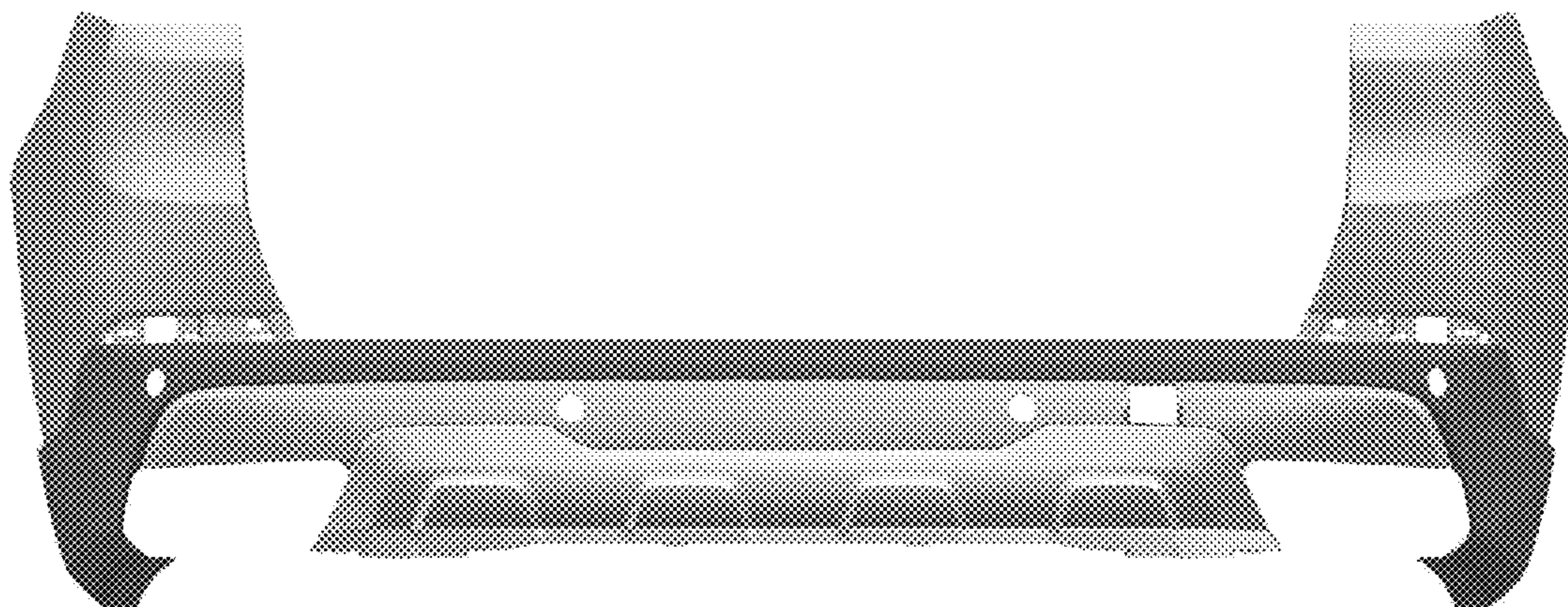
FIG. 5 is a right side view thereof;

FIG. 6 is a top view thereof;

FIG. 7 is a bottom view thereof; and,

FIG. 8 is a rear view thereof.

1 Claim, 8 Drawing Sheets



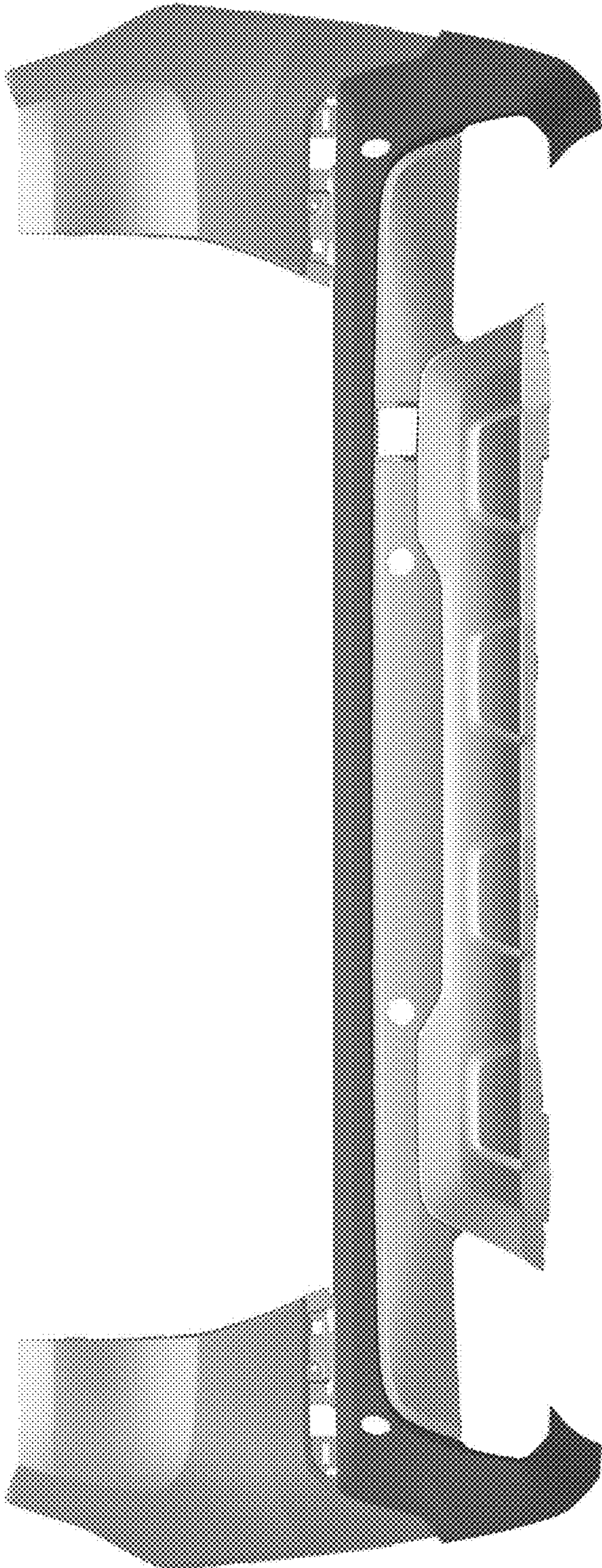


Fig. 1

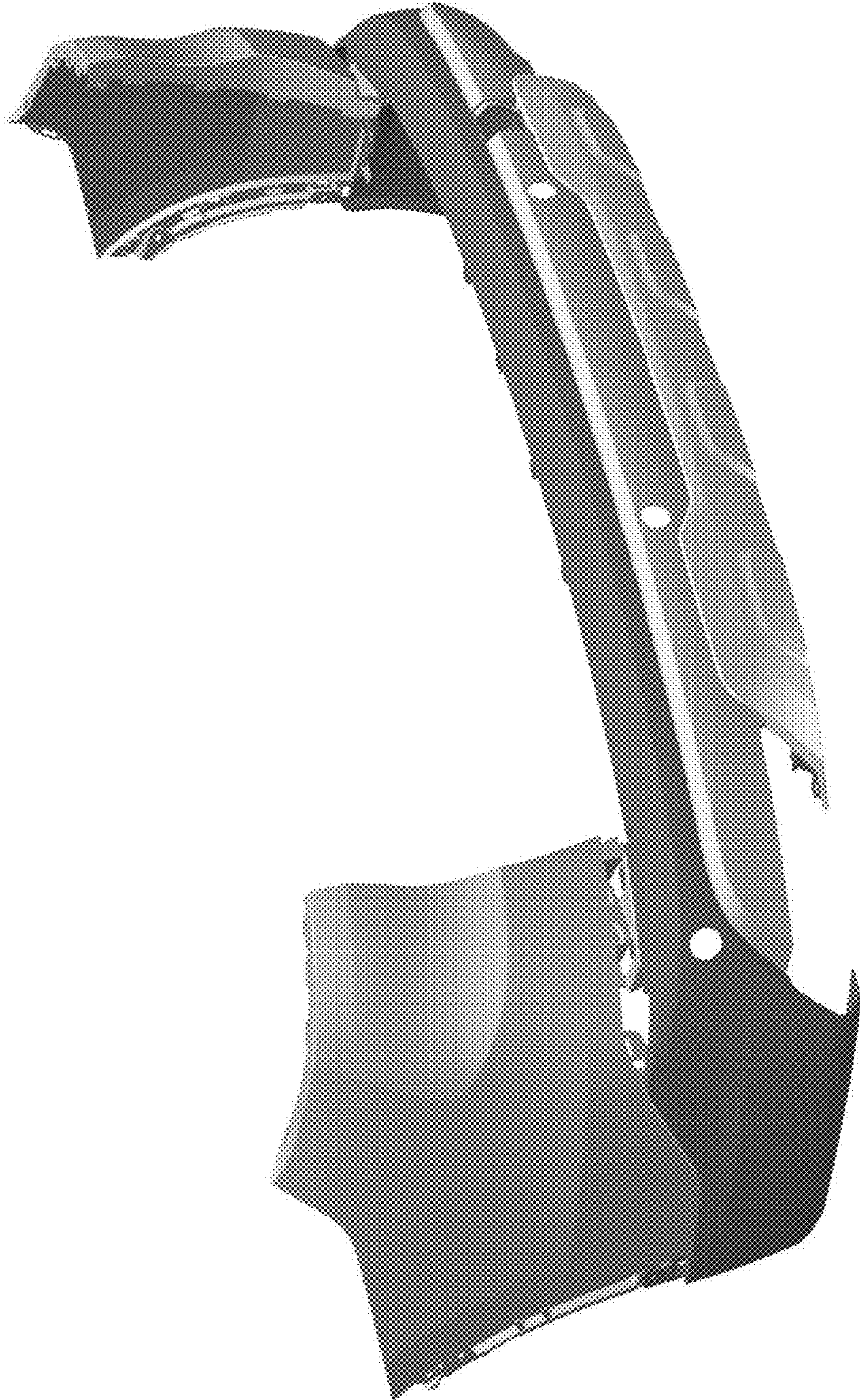


Fig. 2

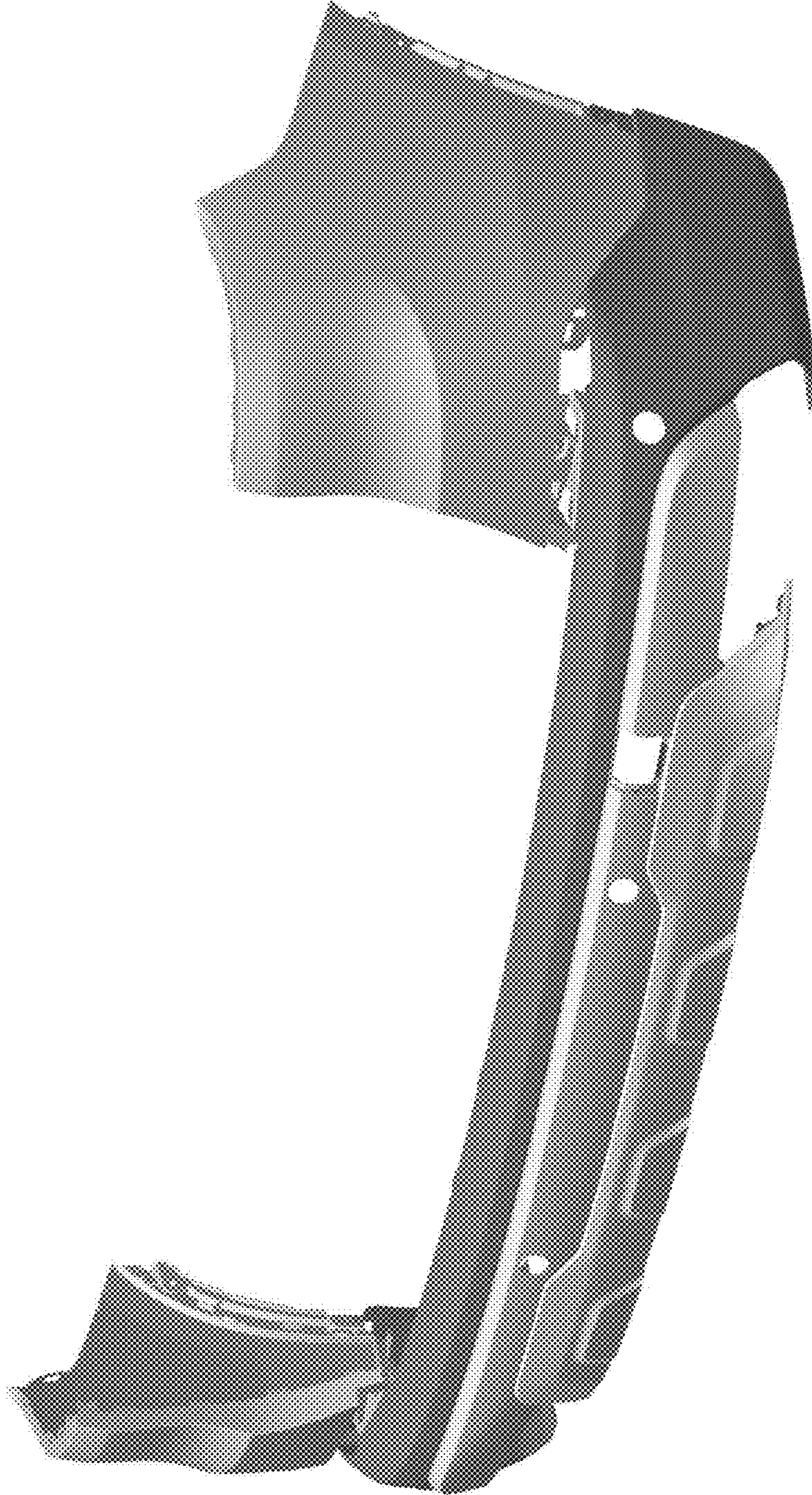


Fig. 3

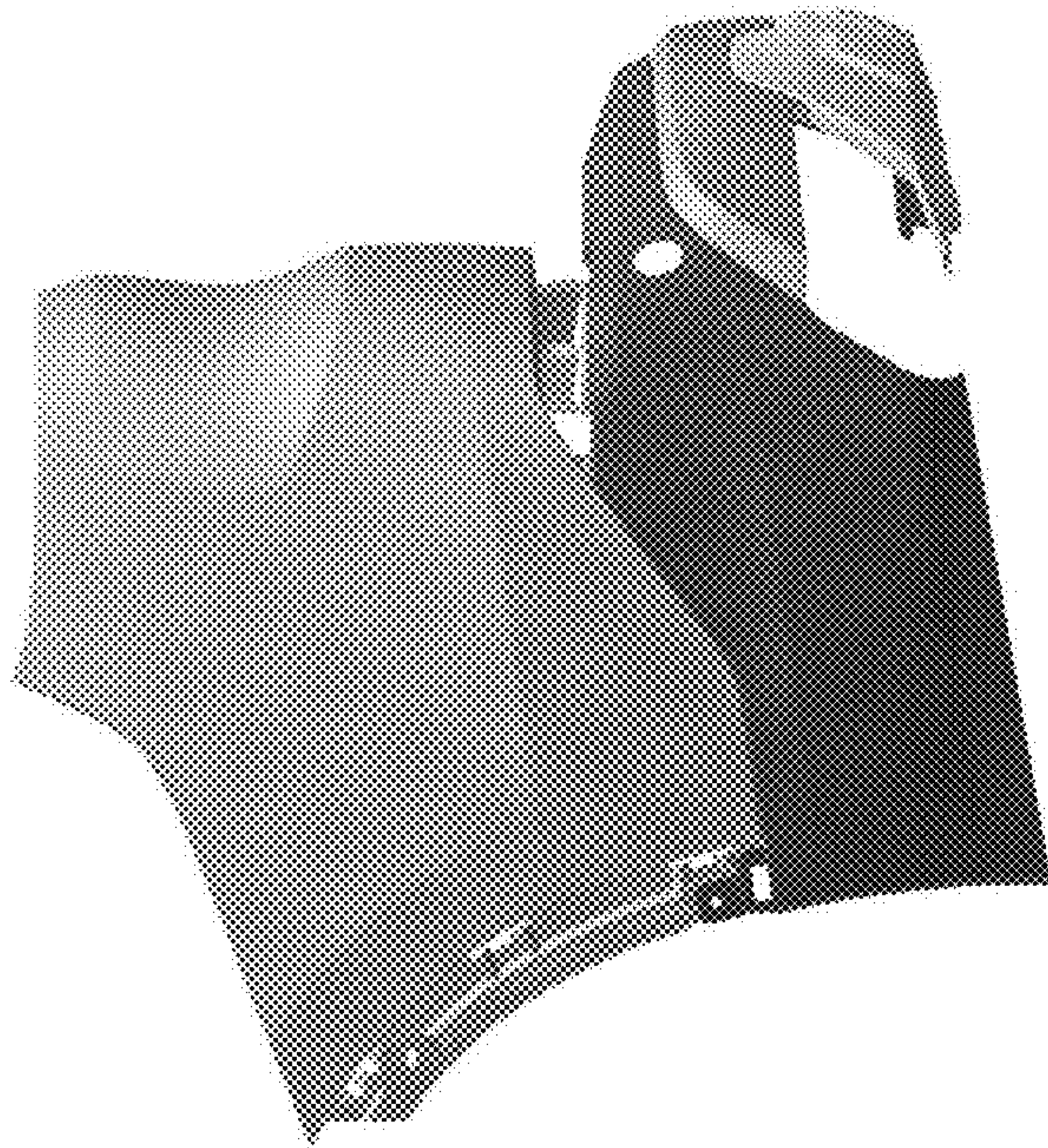


Fig. 4

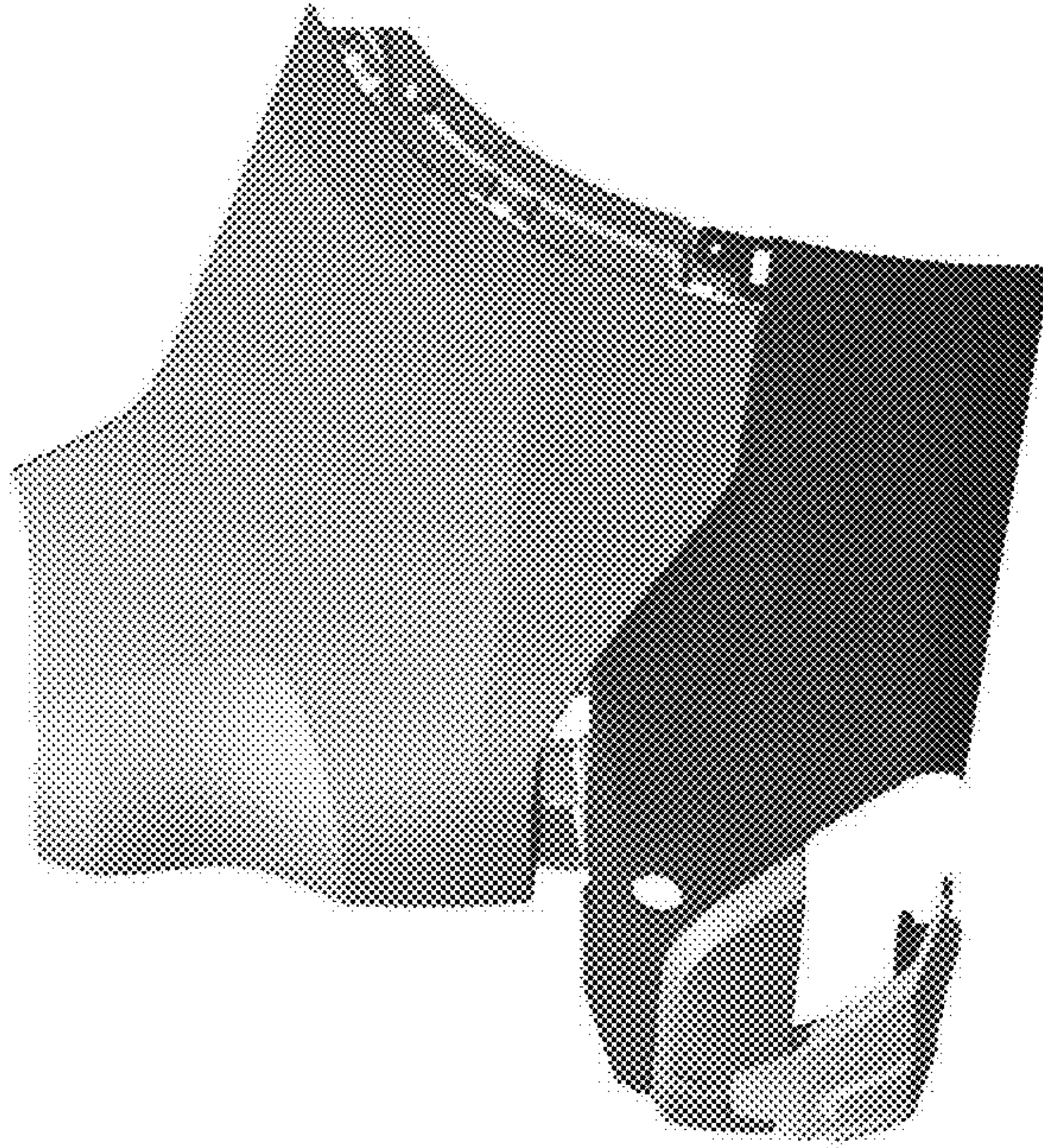


Fig. 5

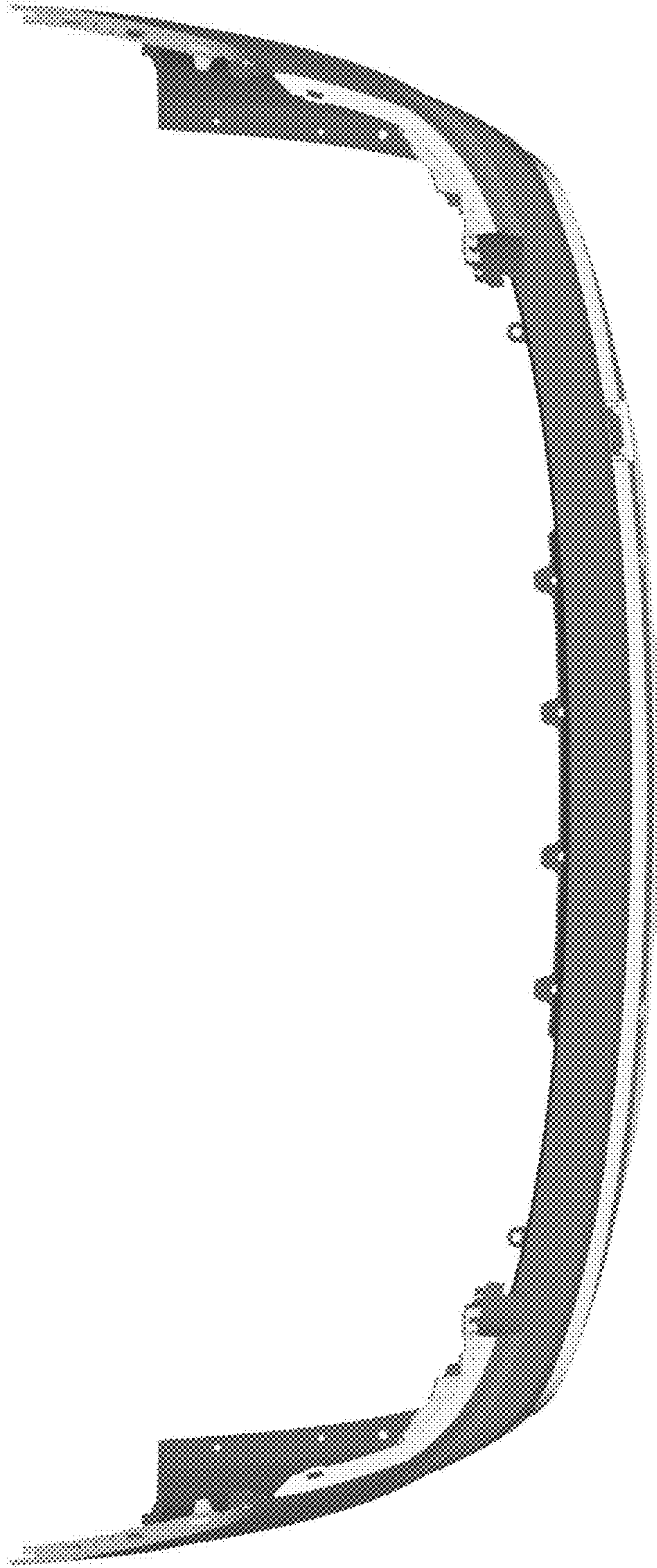


Fig. 6

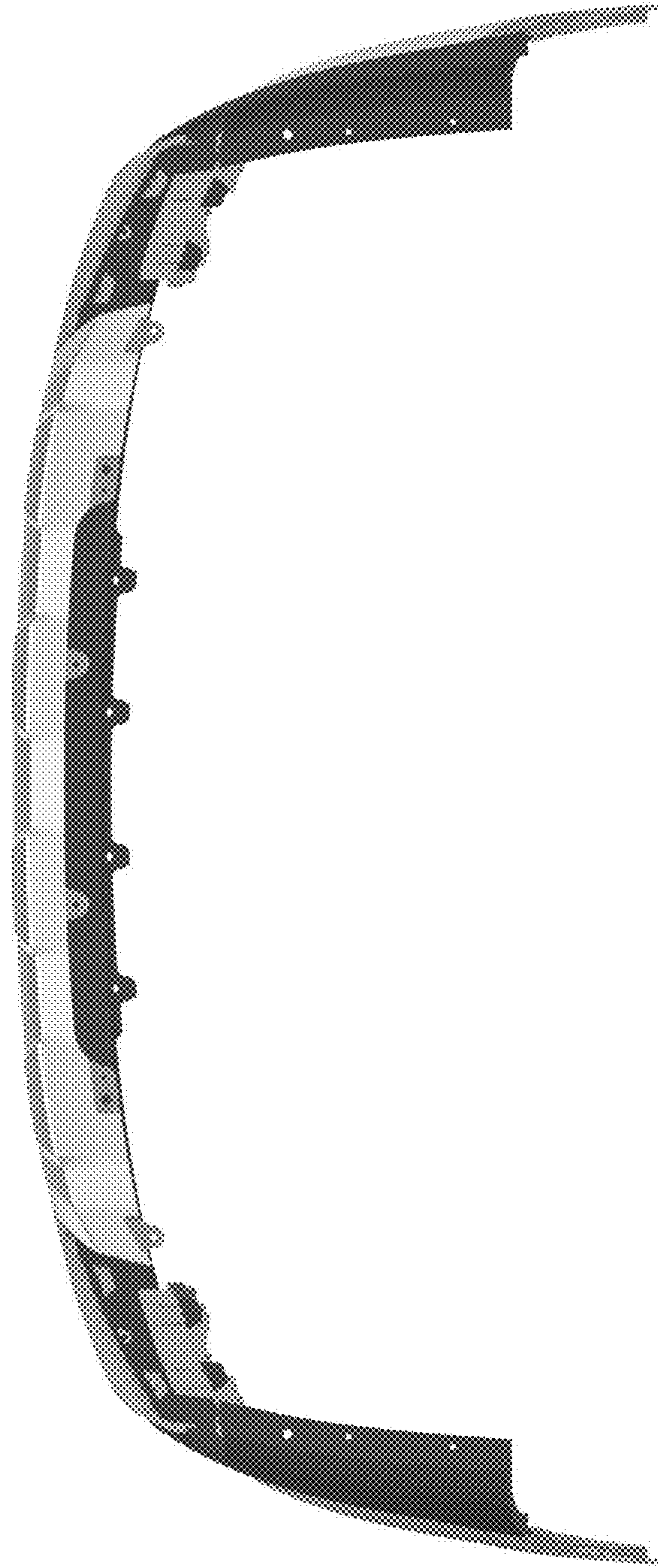


Fig. 7

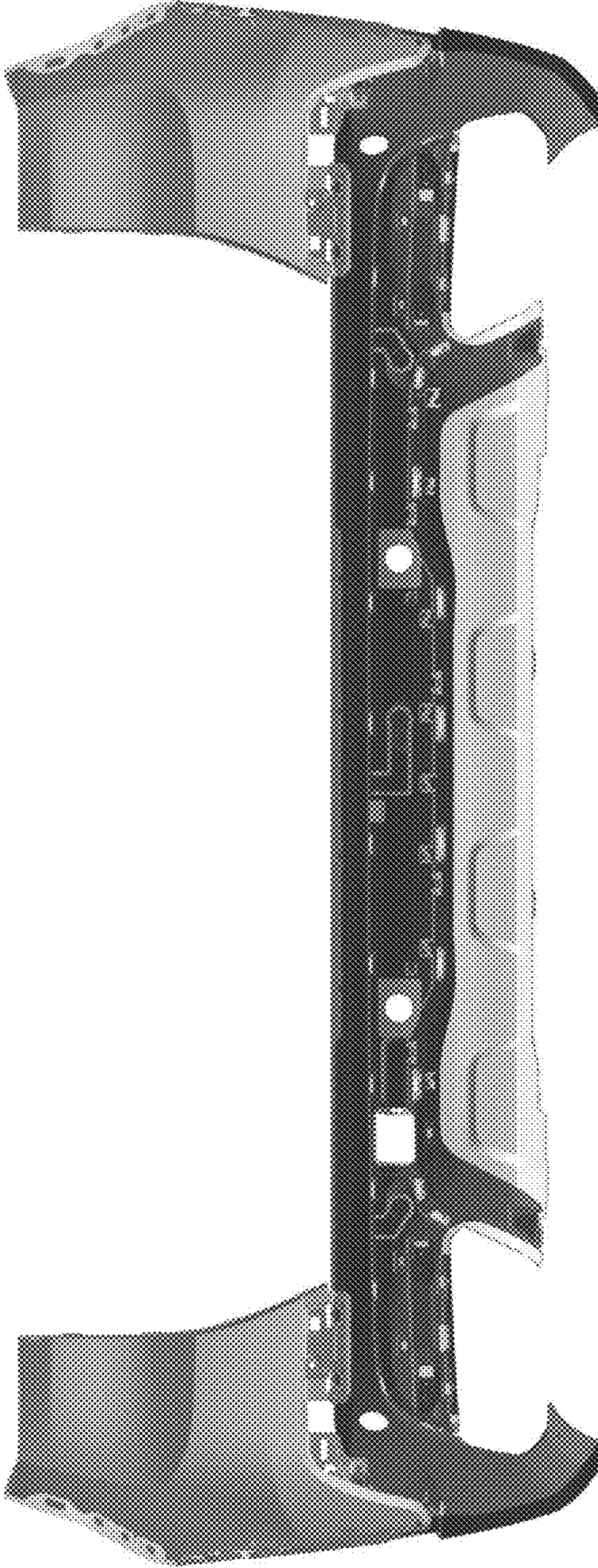


Fig. 8