



US00D856222S

(12) **United States Design Patent**  
**Thogersen**

(10) **Patent No.:** **US D856,222 S**

(45) **Date of Patent:** **\*\* Aug. 13, 2019**

(54) **FRONT BUMPER FOR A VEHICLE**

D811,288 S \* 2/2018 Bucher ..... D12/169  
D811,291 S \* 2/2018 Ishigaki ..... D12/169  
D813,113 S \* 3/2018 Zurian ..... D12/169

(Continued)

(71) Applicant: **Bayerische Motoren Werke**  
**Aktiengesellschaft, Munich (DE)**

(72) Inventor: **Anders Thogersen, Munich (DE)**

(73) Assignee: **Bayerische Motoren Werke**  
**Aktiengesellschaft, Munich (DE)**

(\*\*) Term: **15 Years**

(21) Appl. No.: **29/646,406**

(22) Filed: **May 4, 2018**

(30) **Foreign Application Priority Data**

Nov. 10, 2017 (DE) ..... 40 2017 101 231

(51) **LOC (12) Cl.** ..... **12-16**

(52) **U.S. Cl.**  
USPC ..... **D12/169**

(58) **Field of Classification Search**  
USPC ..... D12/86, 90, 91, 92, 163, 164, 169, 171,  
D12/196, 216

CPC ..... B60R 19/02; B60R 19/18; B60R 19/24;  
B60R 19/56; B60R 2019/007

See application file for complete search history.

(56) **References Cited**

**U.S. PATENT DOCUMENTS**

D479,699 S \* 9/2003 Boyer ..... D12/169  
D570,261 S \* 6/2008 Baum ..... D12/169  
D610,956 S \* 3/2010 Truebsbach ..... D12/169  
D636,303 S \* 4/2011 Frei ..... D12/169  
D673,086 S \* 12/2012 Frenzel ..... D12/169  
D684,099 S \* 6/2013 McCabe ..... D12/169  
D699,166 S \* 2/2014 Abe ..... D12/169  
D704,604 S \* 5/2014 Okumoto ..... D12/169  
D716,199 S \* 10/2014 Beermann ..... D12/169  
D810,638 S \* 2/2018 Kwon ..... D12/169

**FOREIGN PATENT DOCUMENTS**

WO WO DM/094978 8/2017  
WO WO DM/096281 11/2017

(Continued)

*Primary Examiner* — Darlington Ly

(74) *Attorney, Agent, or Firm* — Crowell & Moring LLP

(57) **CLAIM**

The ornamental design for a front bumper for a vehicle, as shown and described.

**DESCRIPTION**

This application contains subject matter related to the following co-pending U.S. design patent applications:

Application Ser. No. 29/607,494, filed Jun. 14, 2017 and entitled “Front Bumper for a Vehicle”;

Application Ser. No. 29/637,227, filed Feb. 15, 2018 and entitled “Front Bumper for a Vehicle”;

Application Ser. No. 29/605,290, filed May 25, 2017 and entitled “Front Bumper for a Vehicle”;

Application Ser. No. 29/646,403, filed herewith and entitled “Vehicle, Toy, and/or Replicas Thereof”; and

Application Ser. No. 29/646,407, filed herewith and entitled “Front Bumper for a Vehicle”.

FIG. 1 is a front elevation view of a front bumper for a vehicle showing my new design;

FIG. 2 is a front and left side perspective view thereof;

FIG. 3 is a front, bottom, and right side perspective view thereof;

FIG. 4 is a left side elevation view thereof;

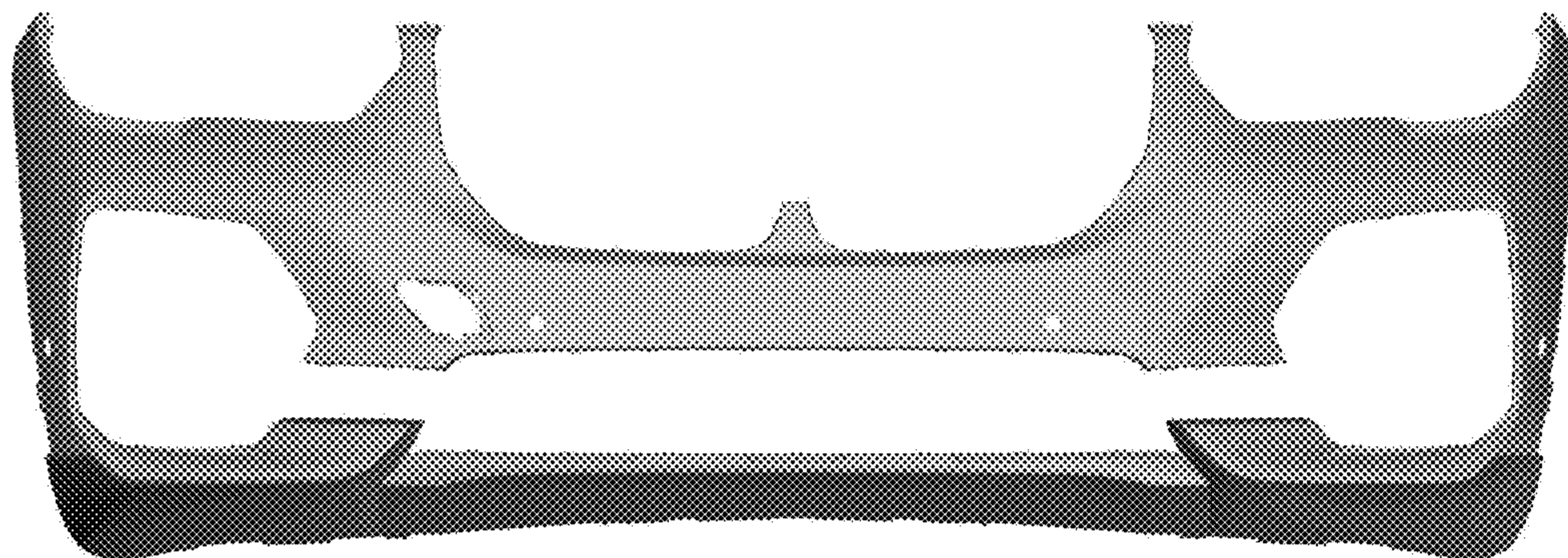
FIG. 5 is a right side elevation view thereof;

FIG. 6 is a top plan view thereof;

FIG. 7 is a bottom plan view thereof; and,

FIG. 8 is a rear elevation view thereof.

**1 Claim, 8 Drawing Sheets**



(56)

**References Cited**

U.S. PATENT DOCUMENTS

D814,369 S \* 4/2018 Loeb ..... D12/169  
D817,823 S 5/2018 Simm  
D817,826 S \* 5/2018 Seo ..... D12/169  
D820,174 S \* 6/2018 Whitla ..... D12/169  
D822,558 S \* 7/2018 Kim ..... D12/169  
D823,746 S \* 7/2018 Lim ..... D12/169  
D823,747 S \* 7/2018 Tsarukyan ..... D12/169  
D825,414 S \* 8/2018 De Bono ..... D12/169  
D826,114 S \* 8/2018 Smith ..... D12/169  
D829,620 S \* 10/2018 Lim ..... D12/169  
D835,549 S \* 12/2018 Tamura ..... D12/169

FOREIGN PATENT DOCUMENTS

WO WO DM/096612 12/2017  
WO WO DM/099883 2/2018

\* cited by examiner

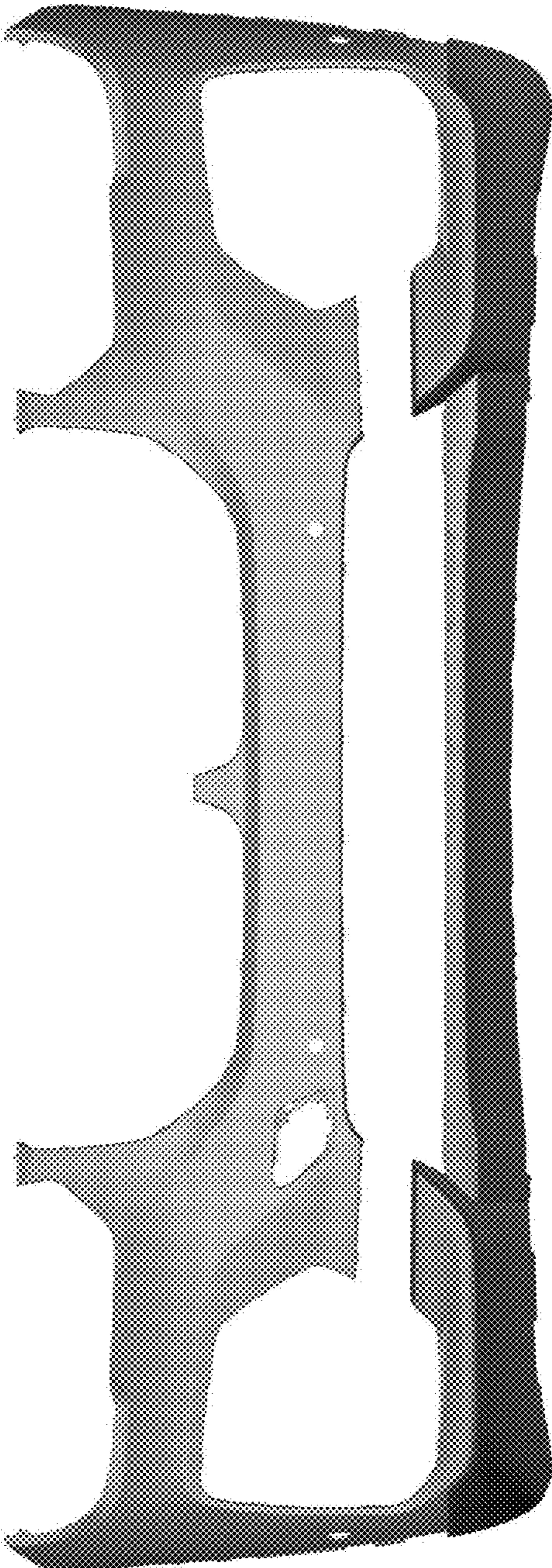


Fig. 1

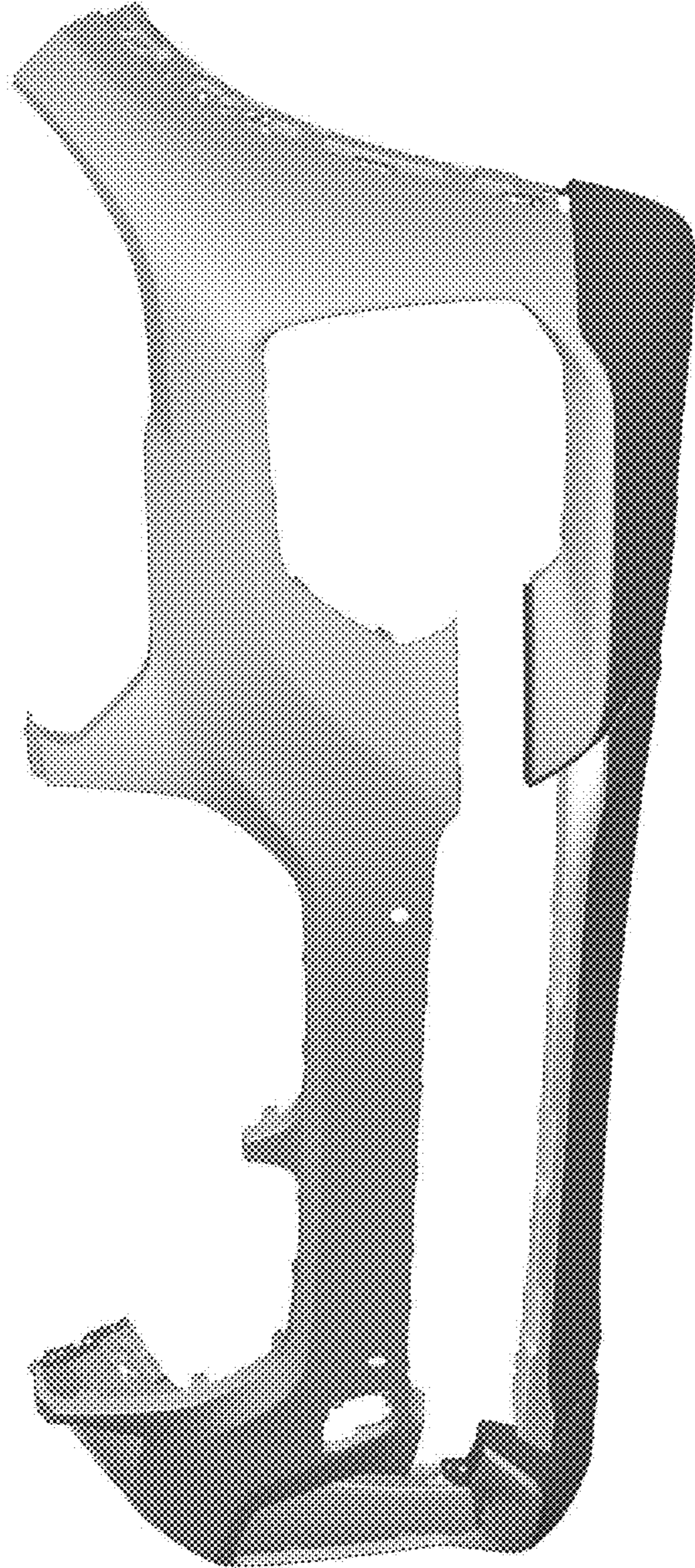


Fig. 2

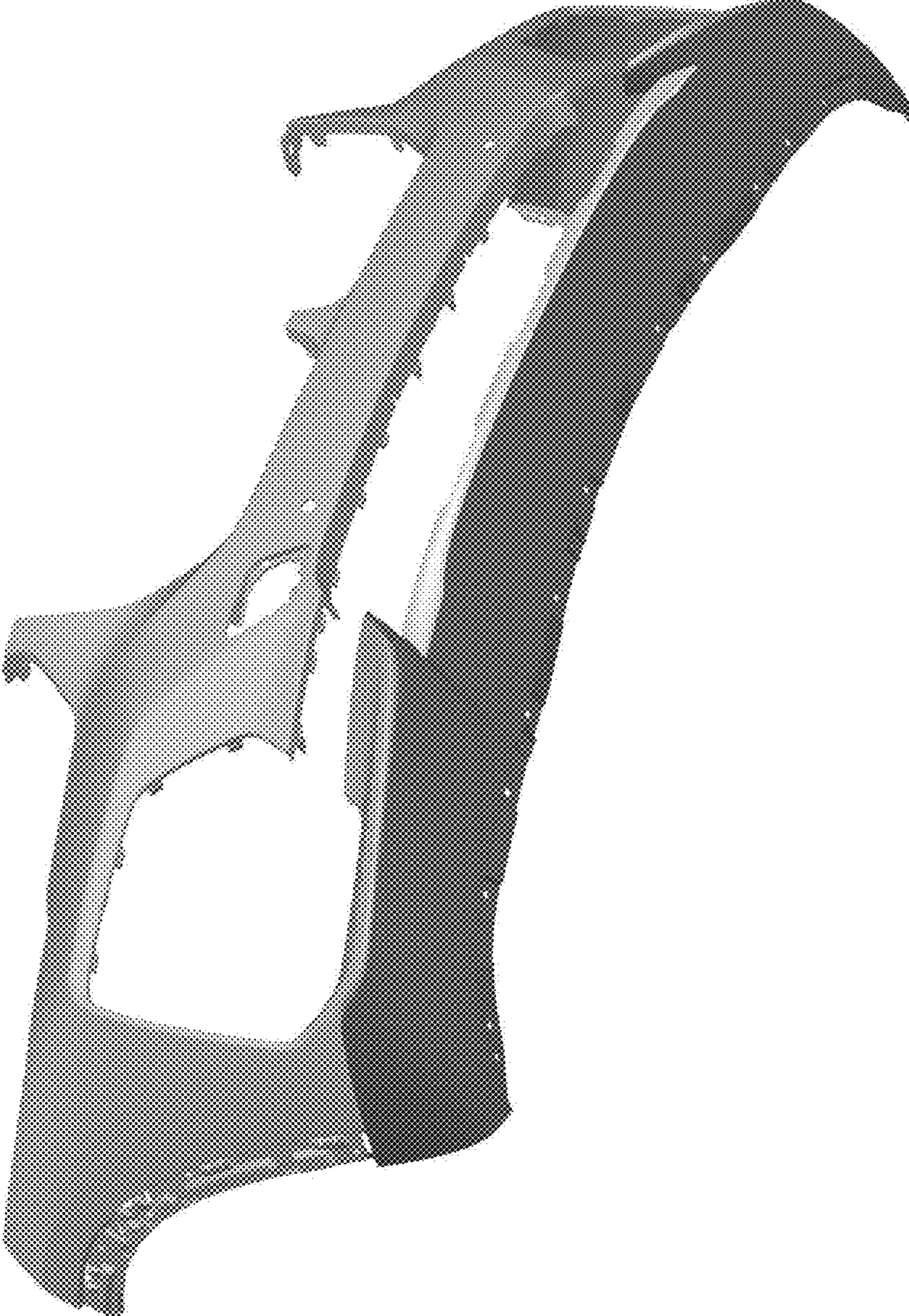


Fig. 3

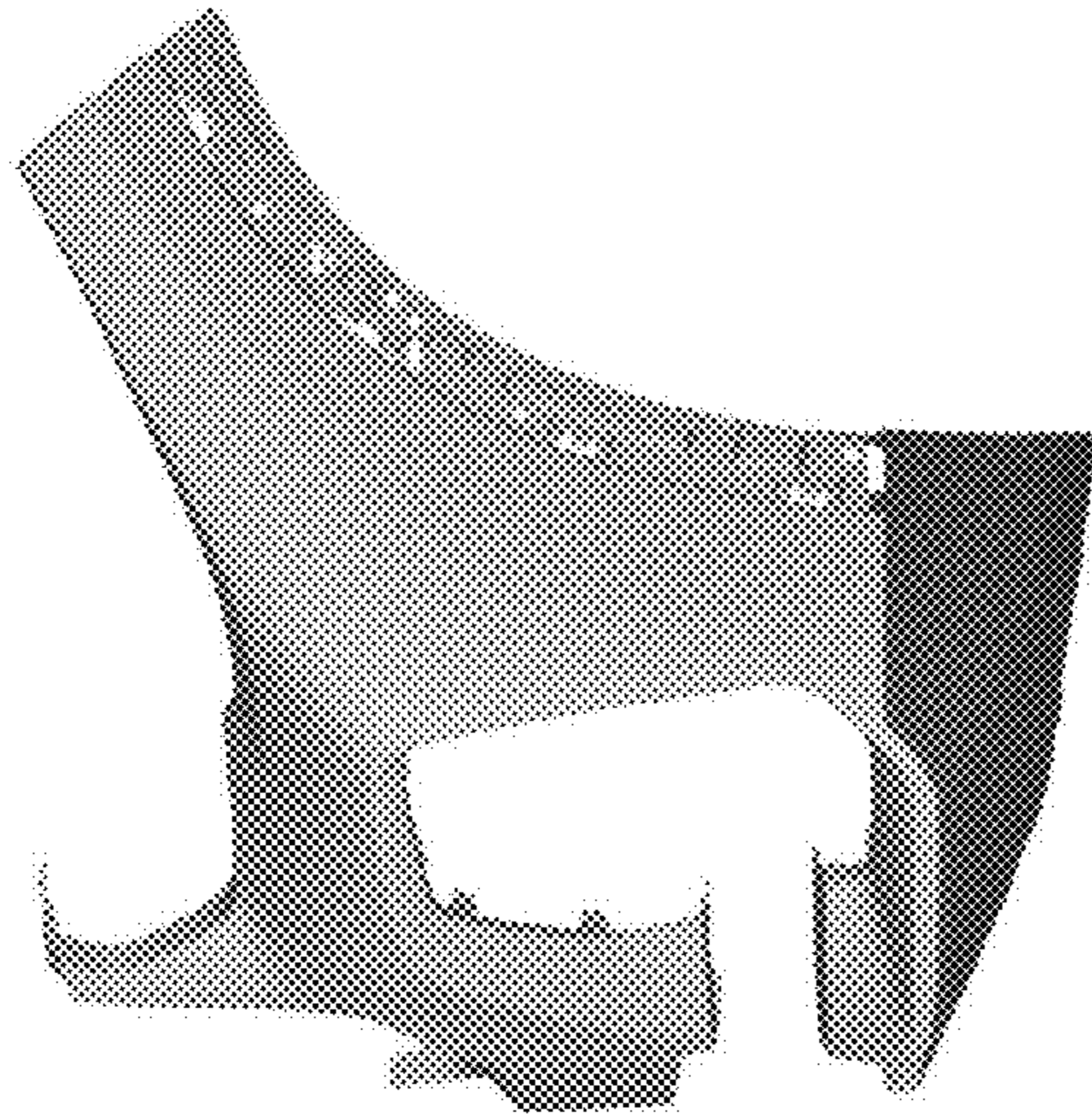


Fig. 4

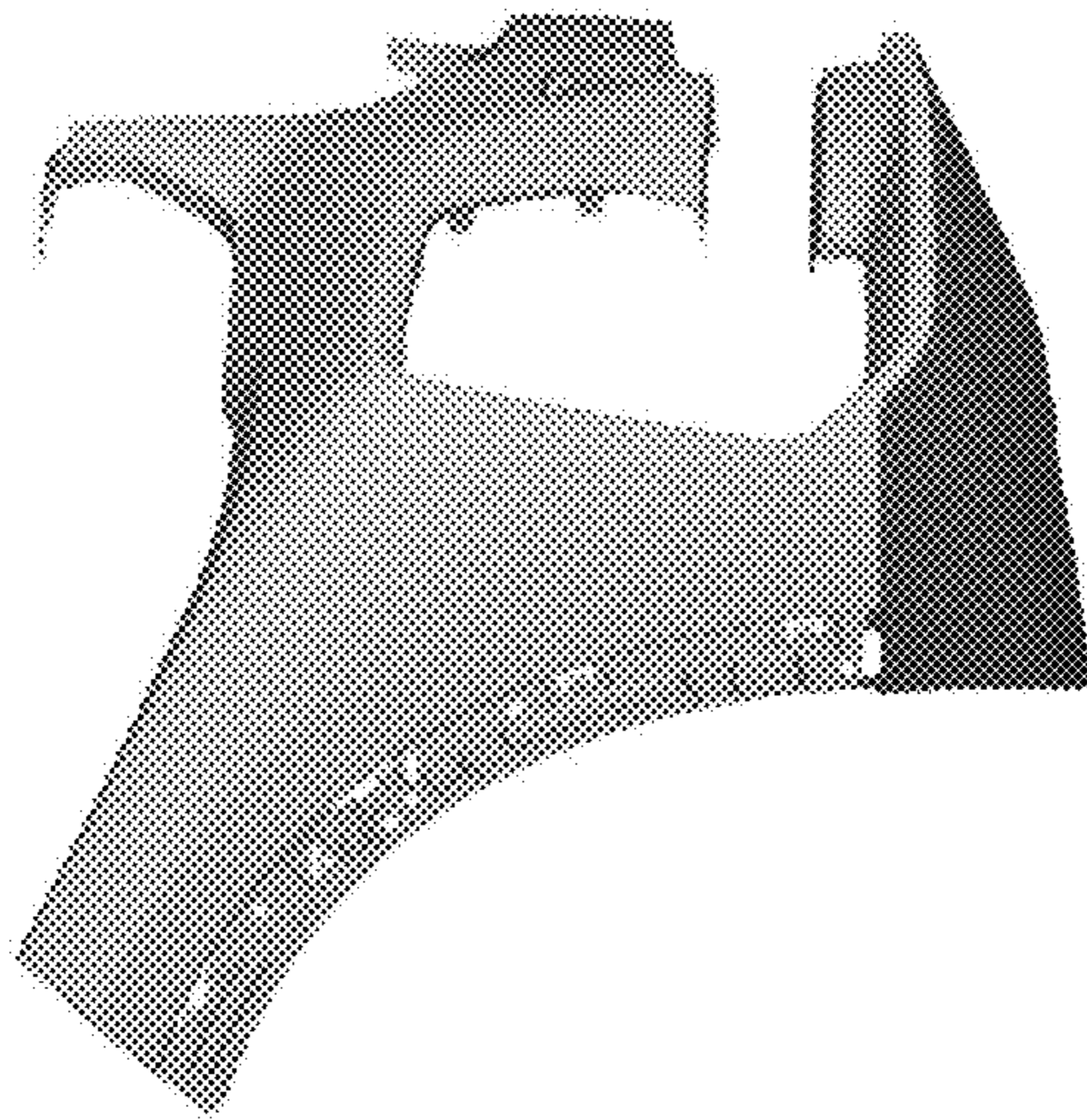


Fig. 5

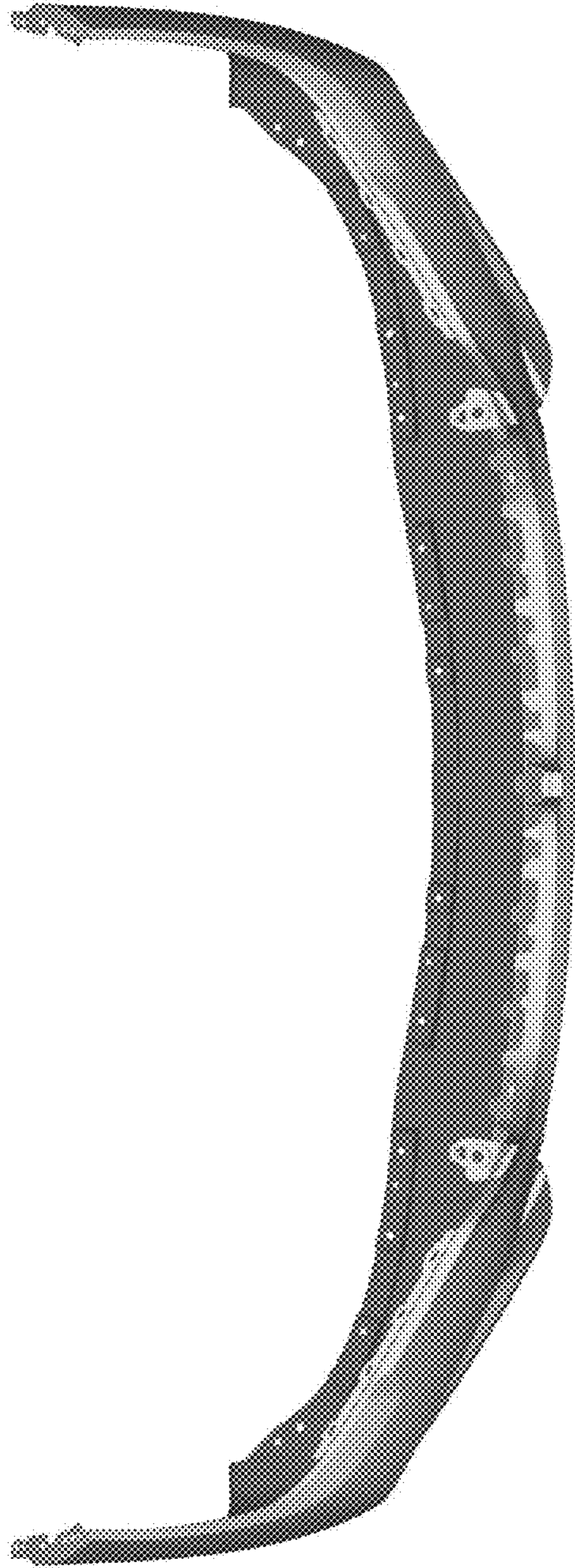


Fig. 6



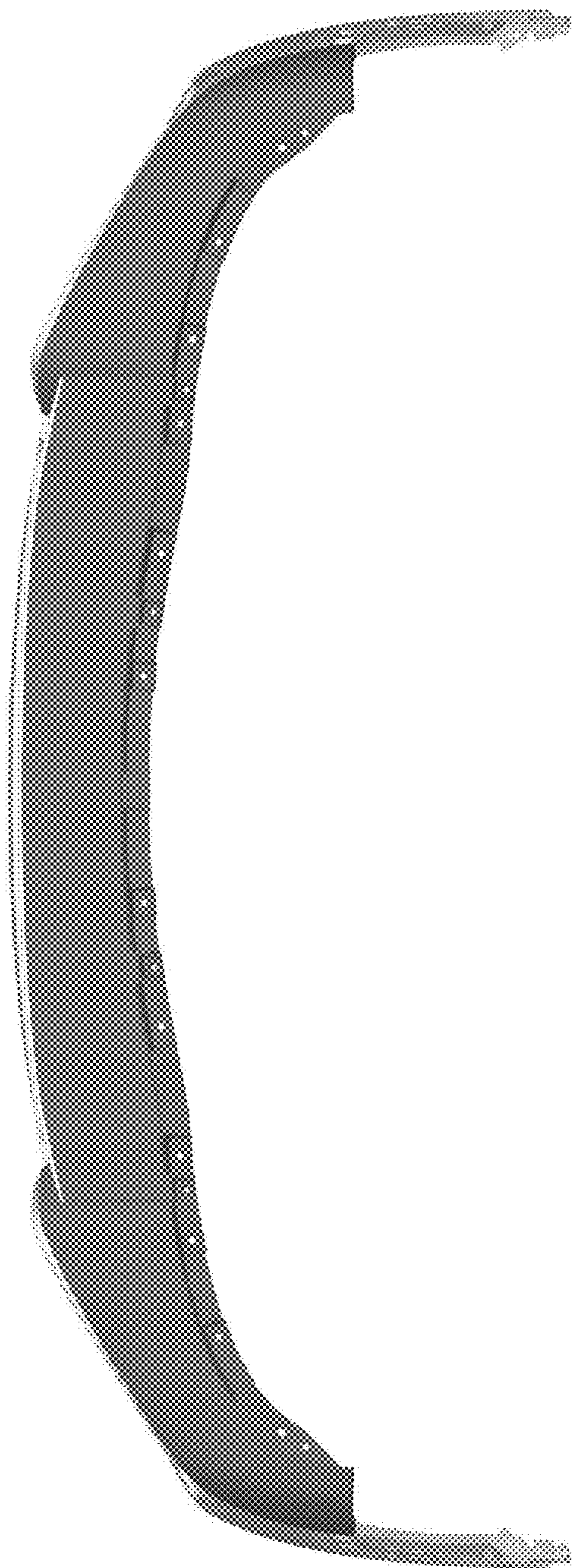


Fig. 7

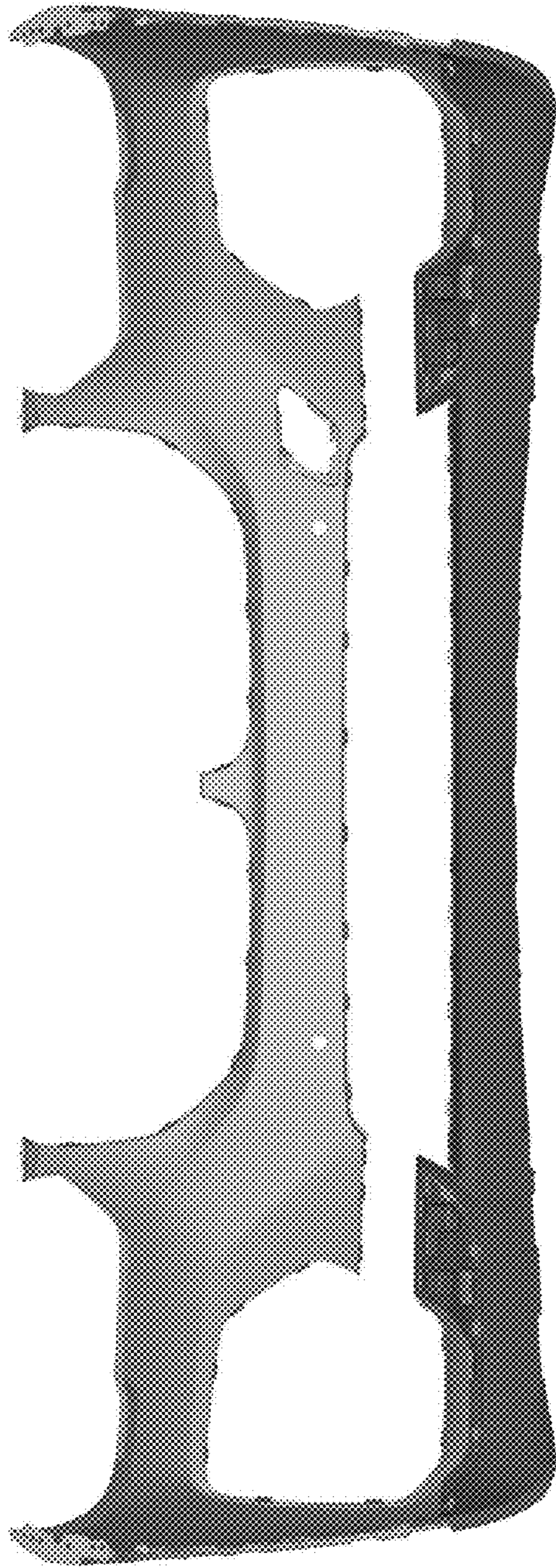


Fig. 8