



US00D856221S

(12) **United States Design Patent** (10) **Patent No.:** **US D856,221 S**  
**Sakaue** (45) **Date of Patent:** **\*\* Aug. 13, 2019**

(54) **FRONT BUMPER FOR AN AUTOMOBILE**

D835,014 S \* 12/2018 Ea ..... D12/169  
D839,150 S \* 1/2019 Roller ..... D12/169  
D839,151 S \* 1/2019 Cartabiano ..... D12/169

(71) Applicant: **Motoaki Sakaue**, Handa (JP)

(72) Inventor: **Motoaki Sakaue**, Handa (JP)

(73) Assignee: **TOYOTA JIDOSHA KABUSHIKI KAISHA** (JP)

(\*\*) Term: **15 Years**

(21) Appl. No.: **29/645,113**

(22) Filed: **Apr. 24, 2018**

(30) **Foreign Application Priority Data**

Oct. 25, 2017 (JP) ..... 2017-023726

(51) **LOC (12) Cl.** ..... **12-16**

(52) **U.S. Cl.**  
USPC ..... **D12/169**

(58) **Field of Classification Search**  
USPC .... D12/169, 216, 90-92, 86, 171, 196, 163;  
293/102, 113, 115, 117, 120; 296/180.1,  
296/180.2

CPC ..... B60R 19/02; B60R 19/04; B62D 25/08  
See application file for complete search history.

(56) **References Cited**

**U.S. PATENT DOCUMENTS**

D824,820 S \* 8/2018 Nakamura ..... D12/169  
D825,410 S \* 8/2018 Nakamura ..... D12/169  
D829,616 S \* 10/2018 Fuchino ..... D12/169  
D829,617 S \* 10/2018 Takamatsu ..... D12/169  
D829,618 S \* 10/2018 Kamahara ..... D12/169  
D830,250 S \* 10/2018 Tomita ..... D12/169

**OTHER PUBLICATIONS**

Netcarshow, Toyota Tacoma (2016), <[https://www.netcarshow.com/toyota/2016-tacoma\\_trd\\_off-road/](https://www.netcarshow.com/toyota/2016-tacoma_trd_off-road/)>, available as early as Jul. 27, 2017.

Netcarshow, Toyota Land Cruiser (2016), <[https://www.netcarshow.com/toyota/2016-land\\_cruiser/](https://www.netcarshow.com/toyota/2016-land_cruiser/)>, available as early as Jul. 27, 2017.

\* cited by examiner

*Primary Examiner* — Melody N Brown

(74) *Attorney, Agent, or Firm* — Saidman DesignLaw Group, LLC

(57) **CLAIM**

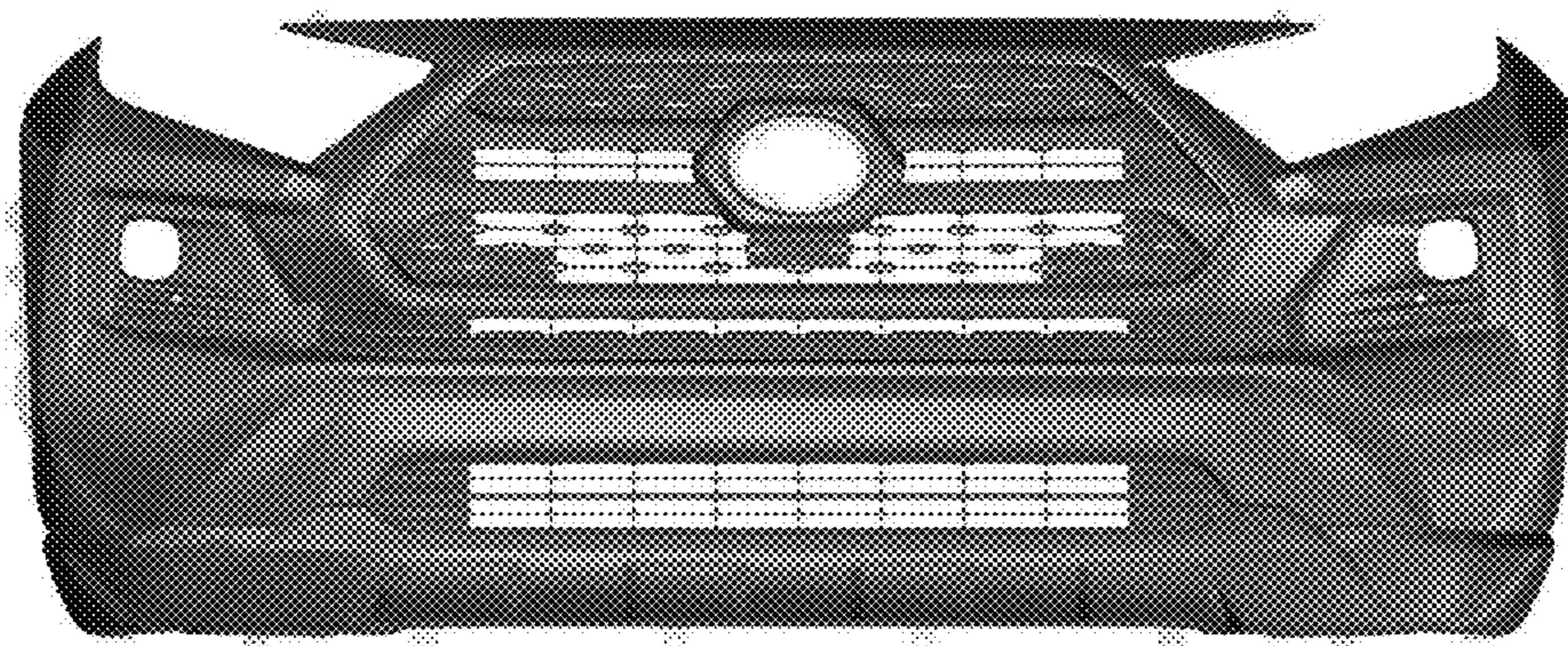
The ornamental design for a front bumper for an automobile, as shown and described.

**DESCRIPTION**

FIG. 1 is a perspective view of a front bumper for an automobile showing my new design; FIG. 2 is a front view thereof; FIG. 3 is a rear view thereof; FIG. 4 is a left side view thereof; FIG. 5 is a right side view thereof; FIG. 6 is a top view thereof; and, FIG. 7 is a bottom view thereof.

The claimed design is indicated by the relatively dark portions in the figures. The relatively light portions form no part of the claimed design.

**1 Claim, 7 Drawing Sheets**



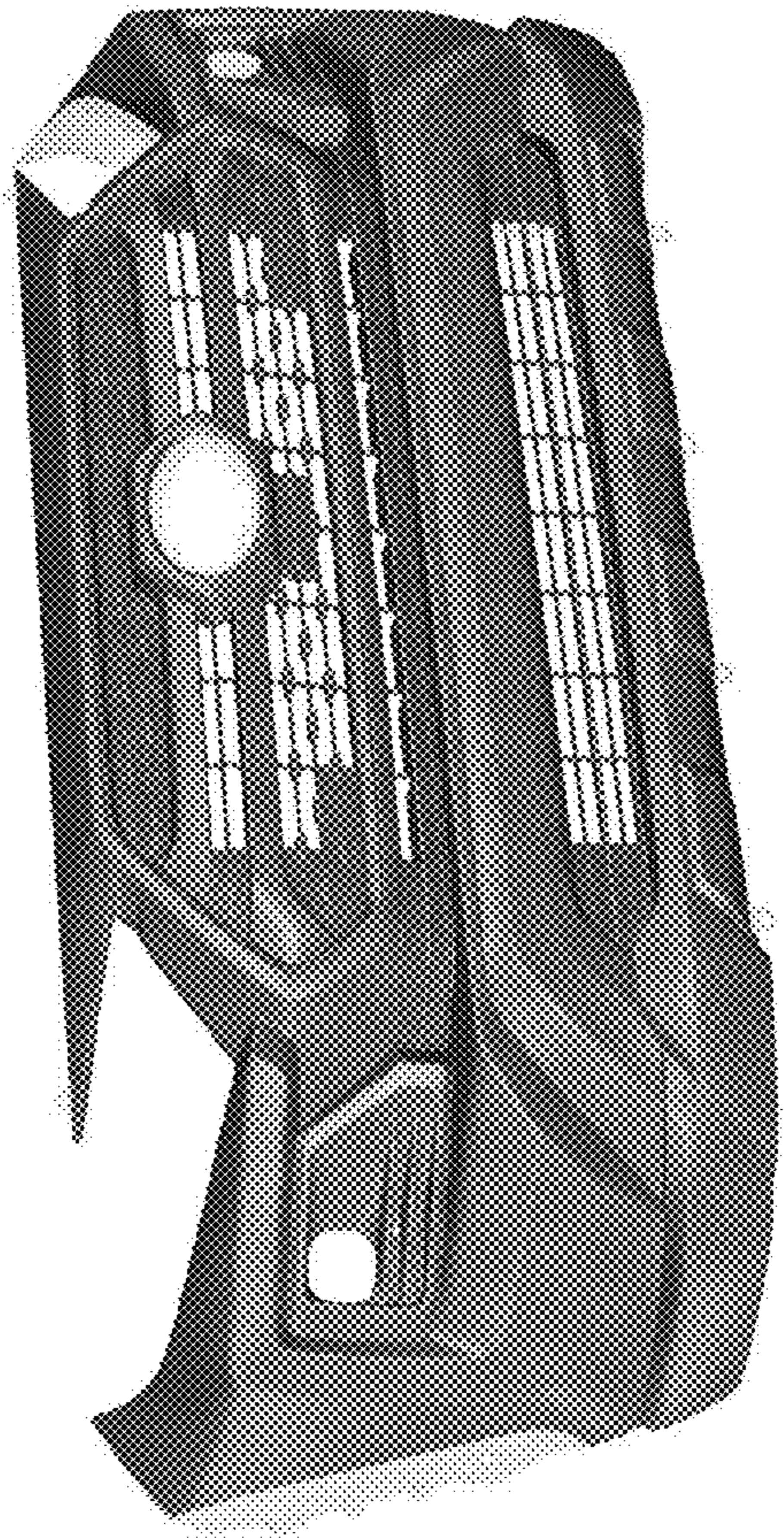


FIG. 1

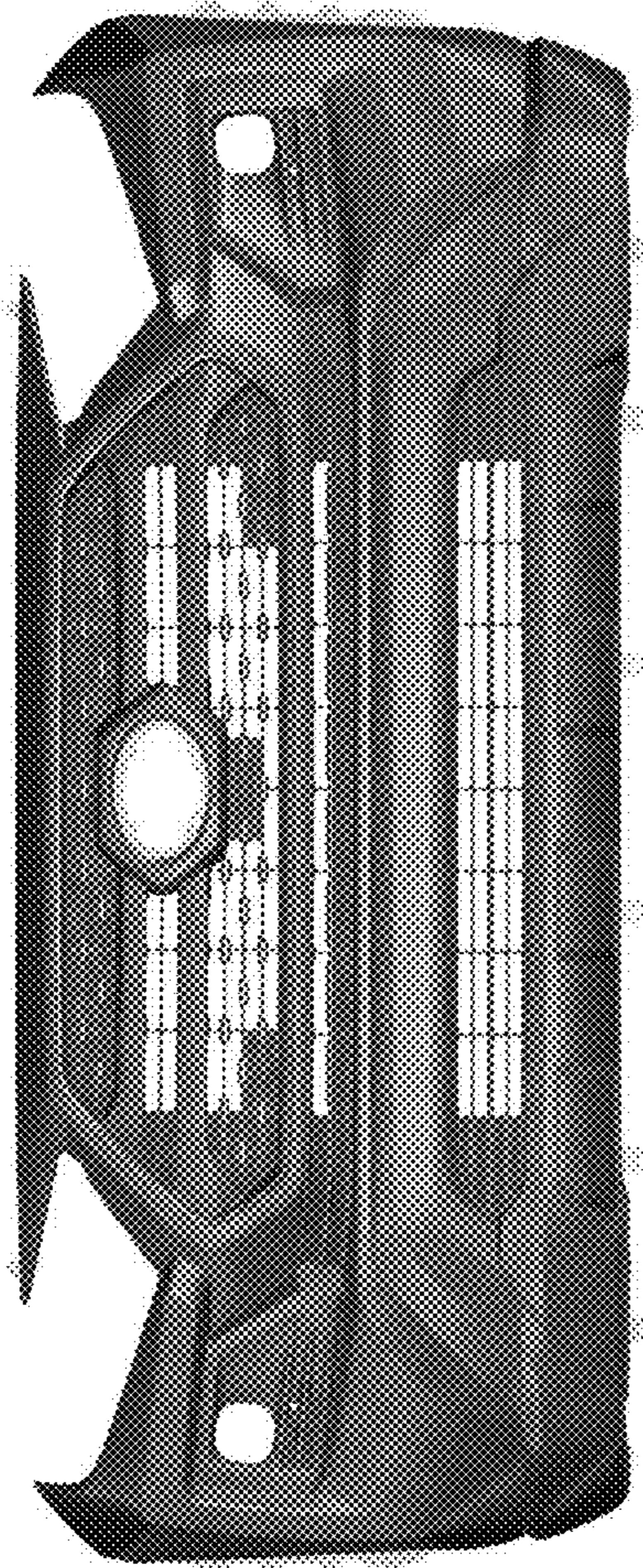


FIG. 2

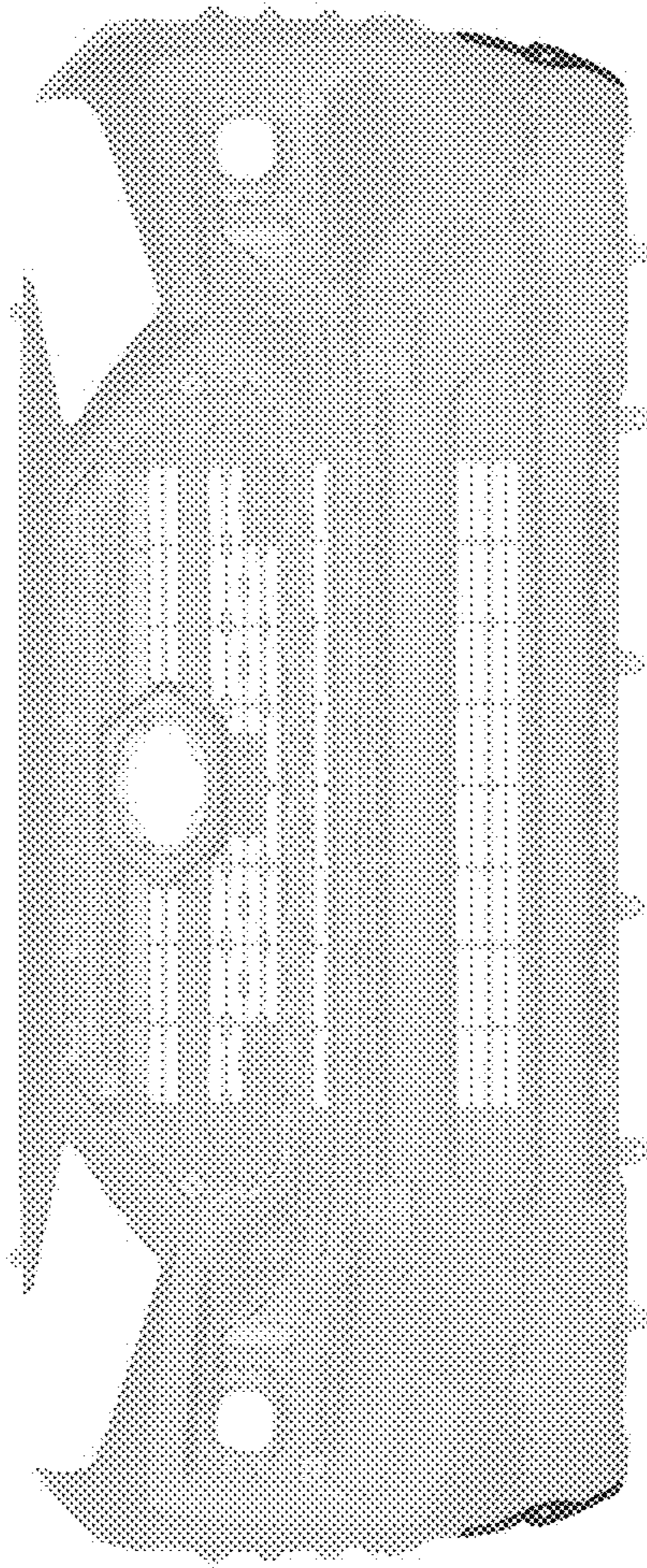


FIG. 3

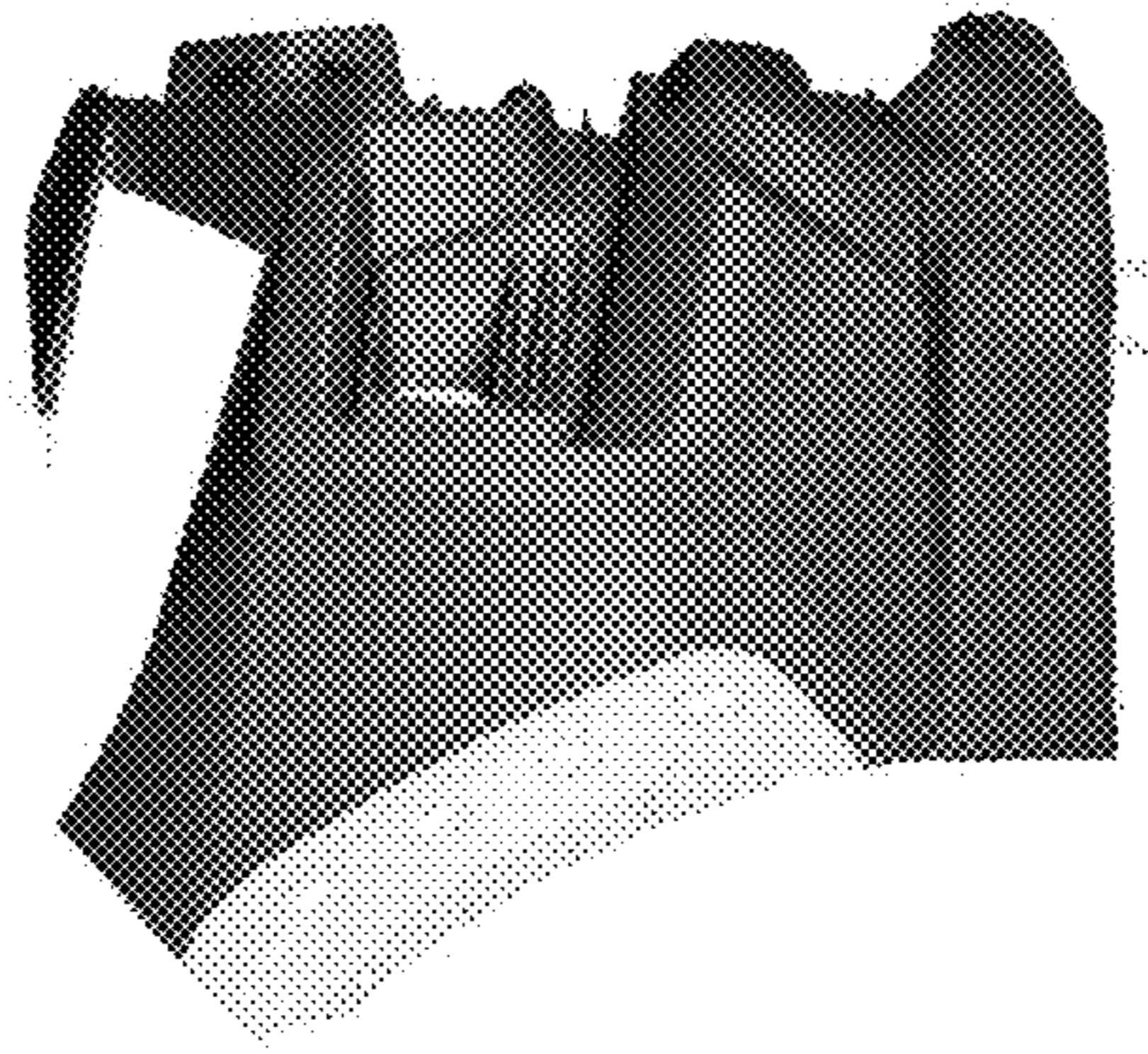


FIG. 4

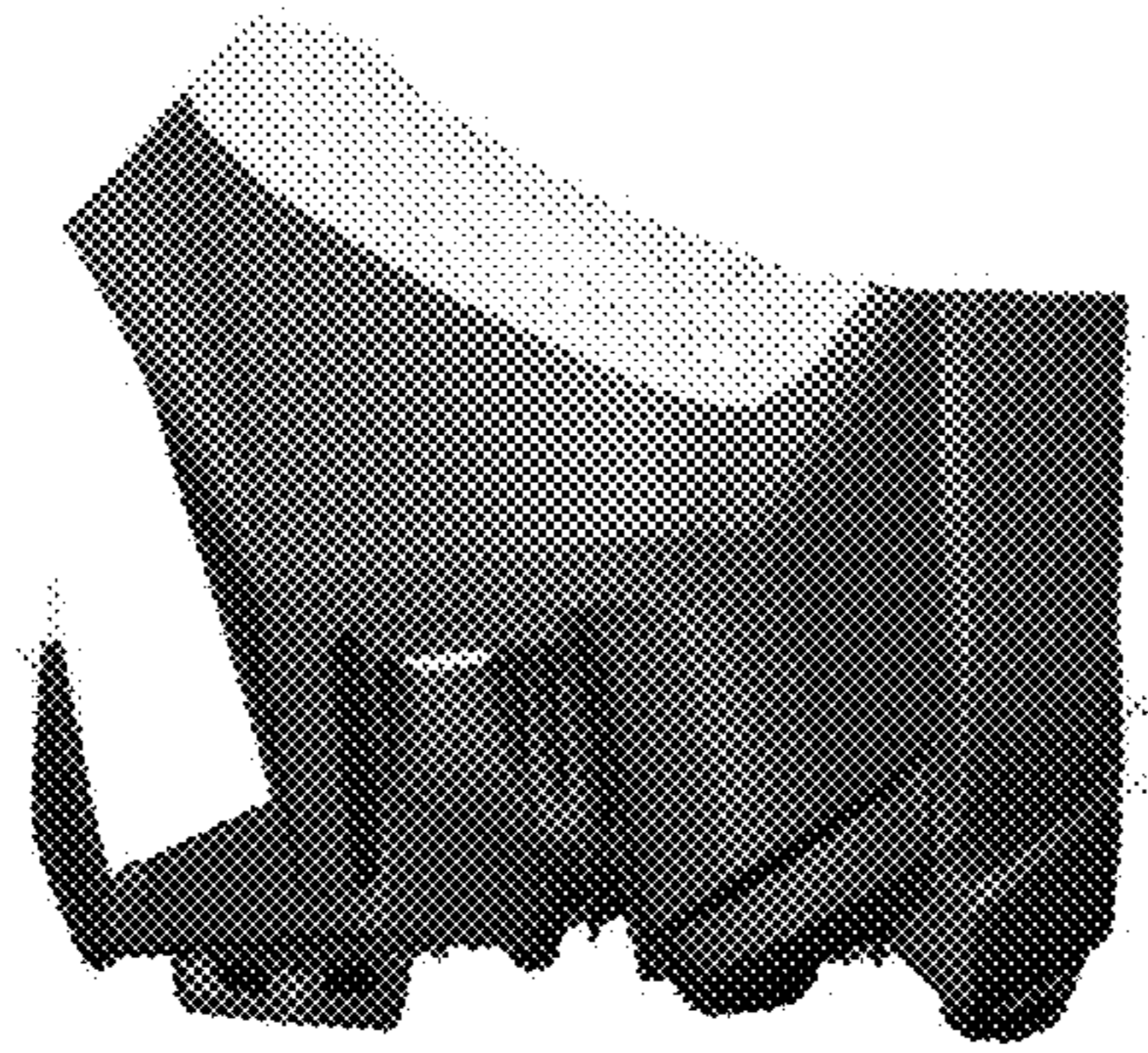


FIG. 5

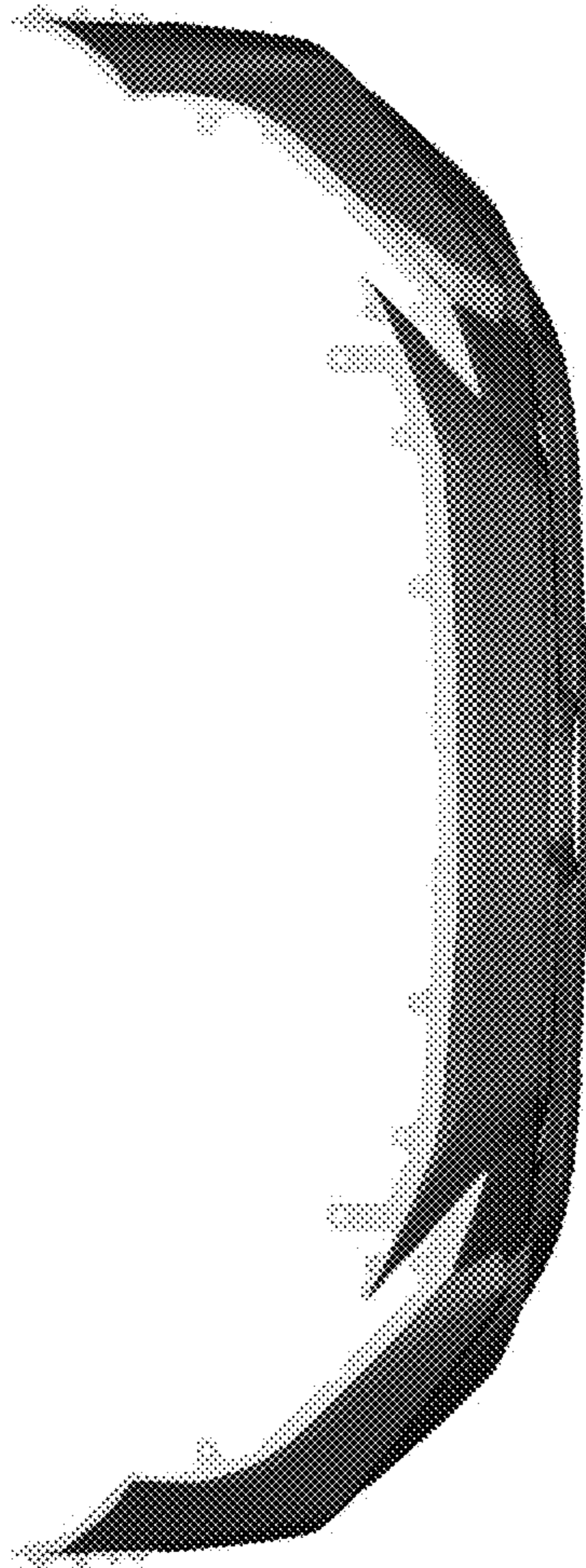


FIG. 6

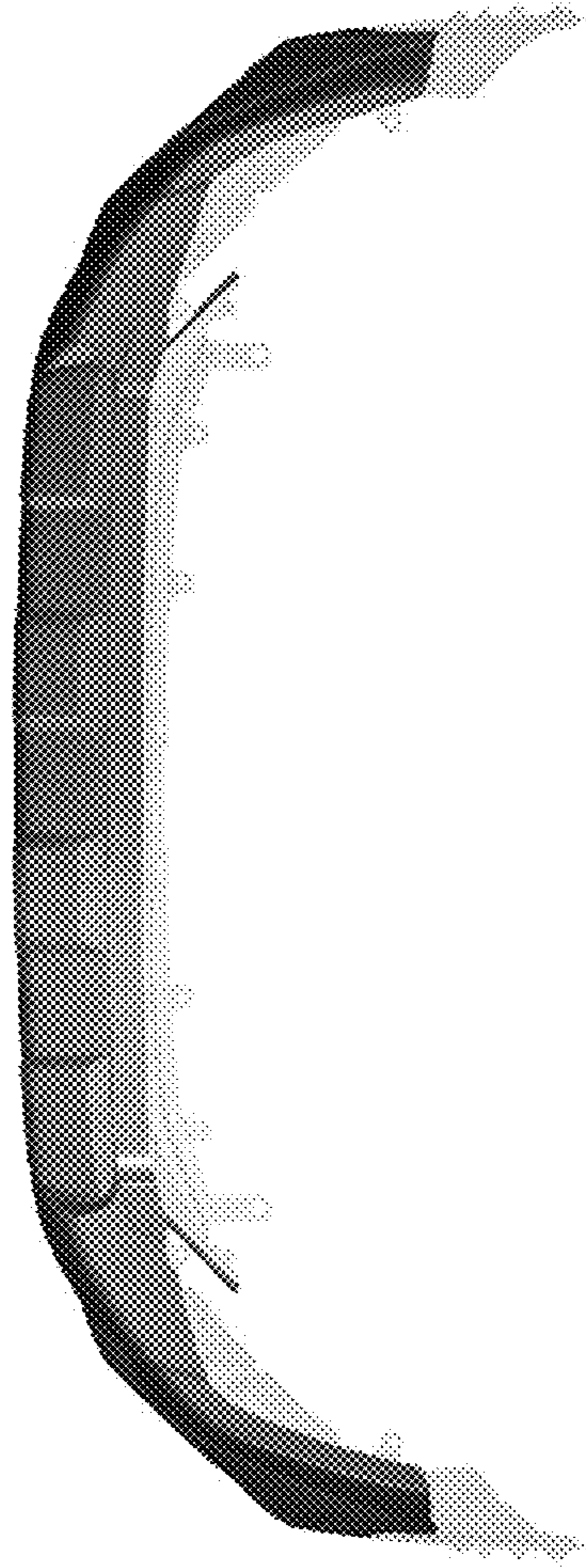


FIG. 7