



US00D856216S

(12) **United States Design Patent** (10) **Patent No.:** **US D856,216 S**  
**Woodhouse et al.** (45) **Date of Patent:** **\*\* Aug. 13, 2019**

(54) **VEHICLE FRONT UPPER BUMPER COVER**

(56) **References Cited**

(71) Applicant: **Ford Global Technologies, LLC**,  
Dearborn, MI (US)

(72) Inventors: **David Woodhouse**, Troy, MI (US);  
**Kemal Curic**, Irvine, CA (US); **Xitij Mistry**, Ann Arbor, MI (US);  
**Gurminder Bhandal**, Ferndale, MI (US); **John C. Caswell**, Grosse Pointe, MI (US)

(73) Assignee: **Ford Global Technologies, LLC**,  
Dearborn, MI (US)

(\*\*) Term: **15 Years**

(21) Appl. No.: **29/641,686**

(22) Filed: **Mar. 23, 2018**

(51) **LOC (12) Cl.** ..... **12-16**

(52) **U.S. Cl.**  
USPC ..... **D12/169**

(58) **Field of Classification Search**  
USPC .... D12/169, 216, 90-92, 86, 171, 196, 163;  
293/102, 113, 115, 117, 120; 296/180.1,  
296/180.2  
CPC ..... B60R 19/02; B60R 19/04; B62D 25/08  
See application file for complete search history.

U.S. PATENT DOCUMENTS

D540,723 S *	4/2007	Schiavone .....	D12/169
D727,224 S *	4/2015	Wolff .....	D12/169
D753,034 S *	4/2016	Thole .....	D12/169
D792,295 S *	7/2017	McCabe .....	D12/169
D793,296 S *	8/2017	Smith .....	D12/169
D819,527 S *	6/2018	Woodhouse .....	D12/169

\* cited by examiner

*Primary Examiner* — Melody N Brown

(74) *Attorney, Agent, or Firm* — Vichit Chea

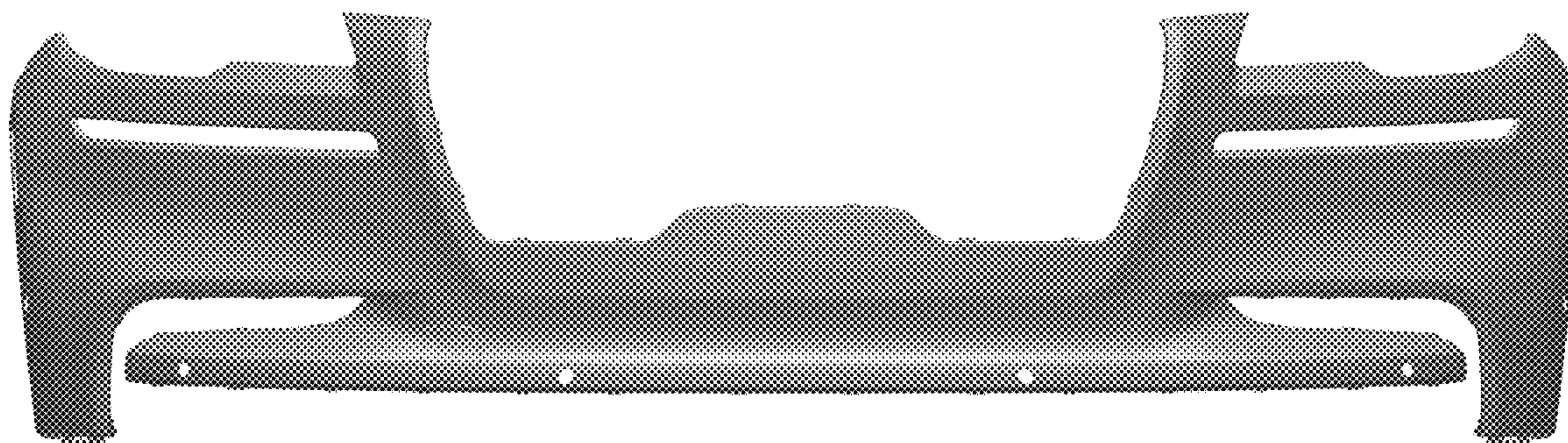
(57) **CLAIM**

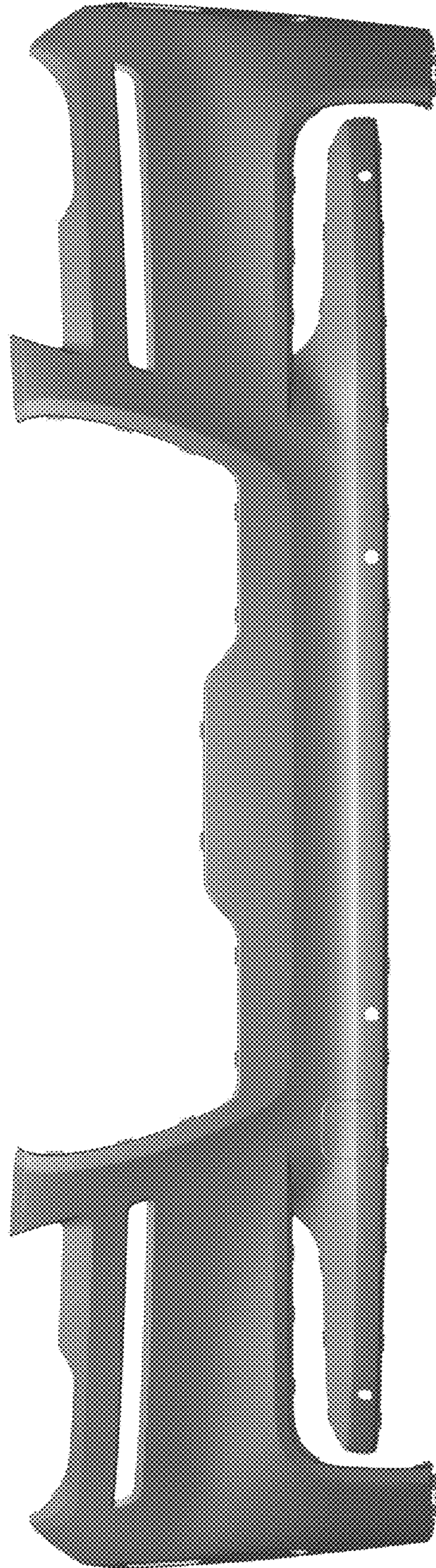
The ornamental design for a vehicle front upper bumper cover, as shown and described.

**DESCRIPTION**

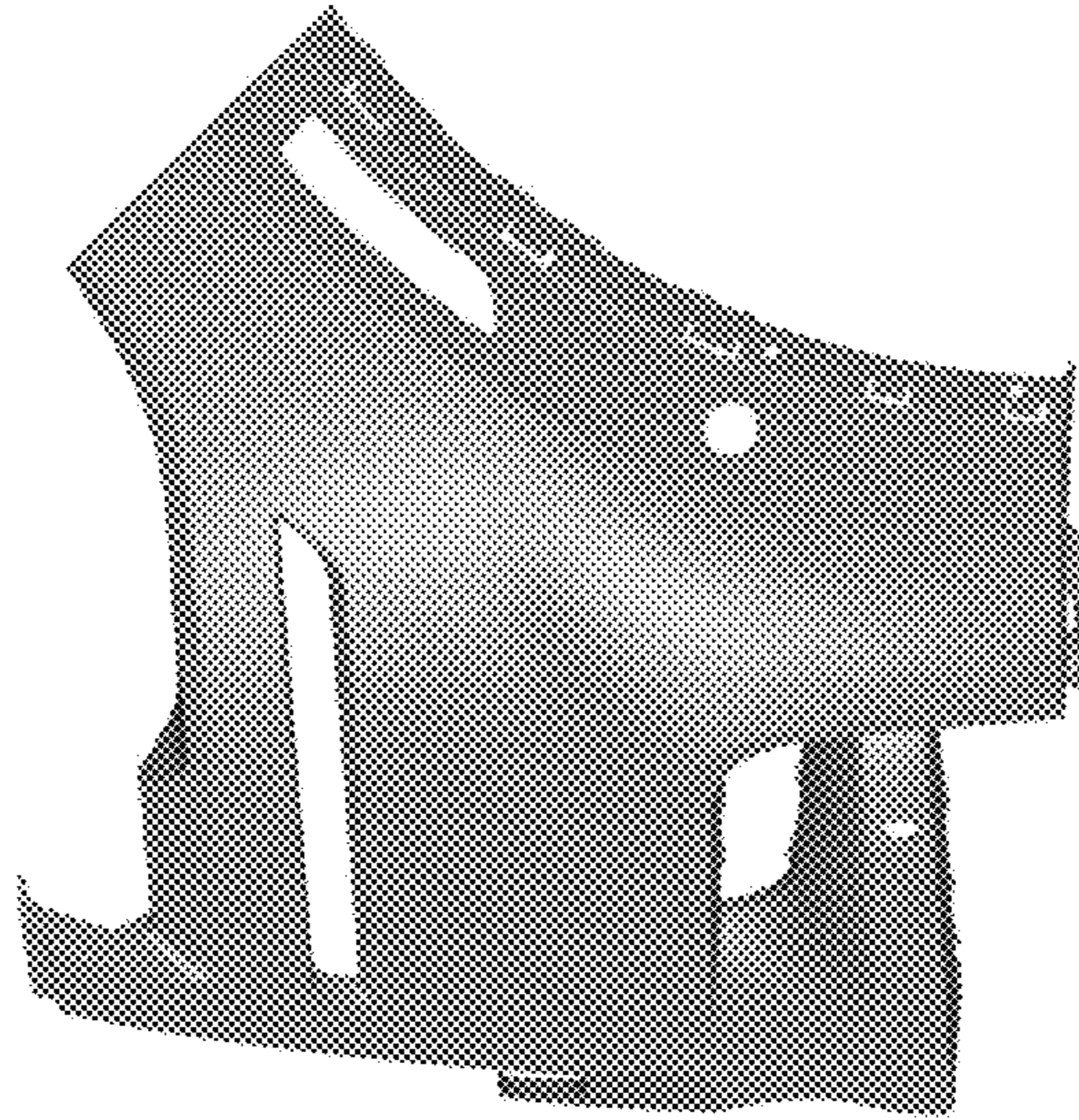
FIG. 1 is a front elevational view of a vehicle front upper bumper cover, showing our new design;  
 FIG. 2 is a left side elevational view thereof;  
 FIG. 3 is a right side elevational view thereof;  
 FIG. 4 is a top plan view thereof;  
 FIG. 5 is a bottom plan view thereof.  
 FIG. 6 is a top, front and left side perspective view thereof;  
 and,  
 FIG. 7 is a bottom, front and left side perspective view thereof.

**1 Claim, 7 Drawing Sheets**





*Fig. 1*



*Fig. 2*

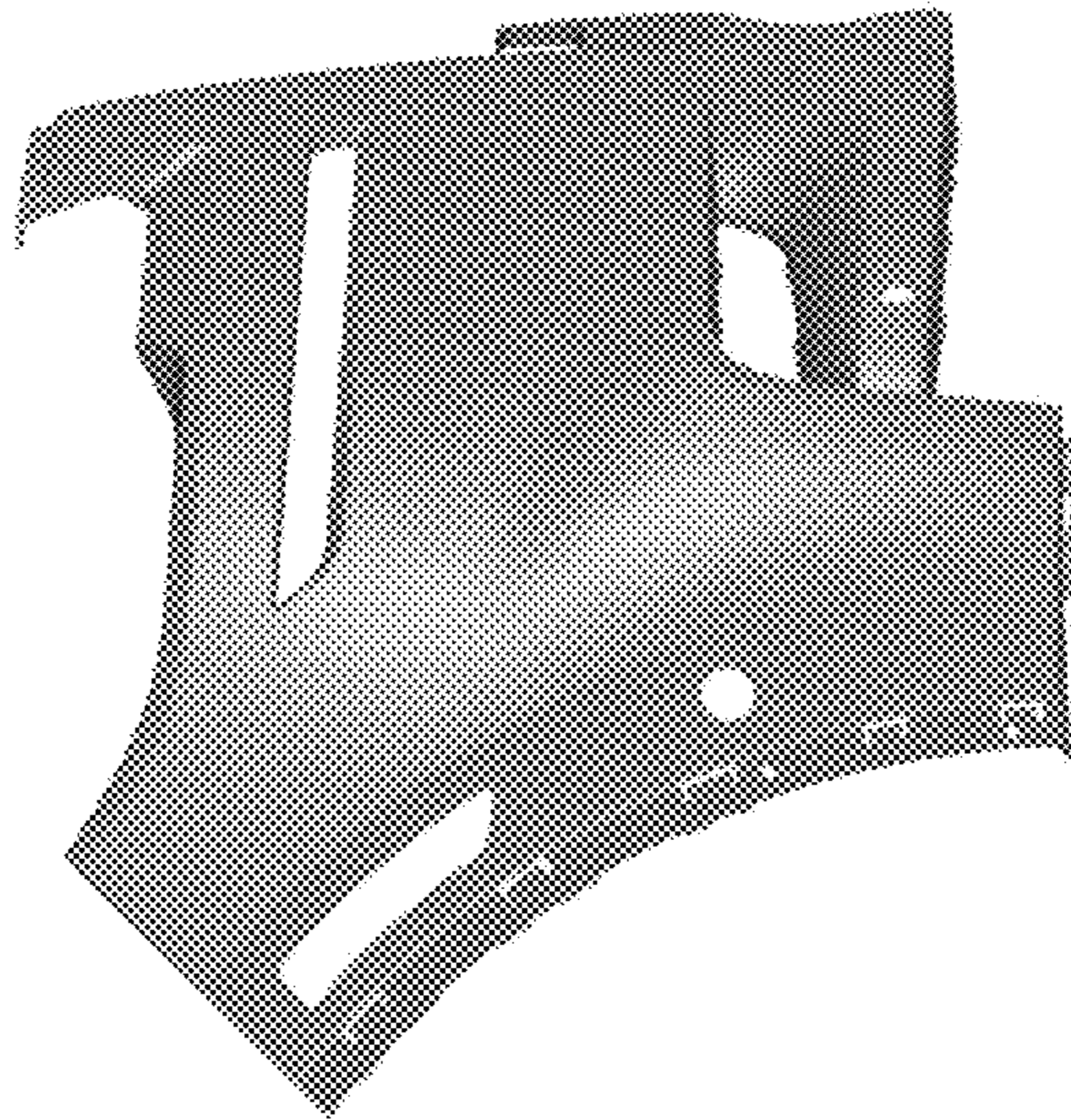


Fig. 3

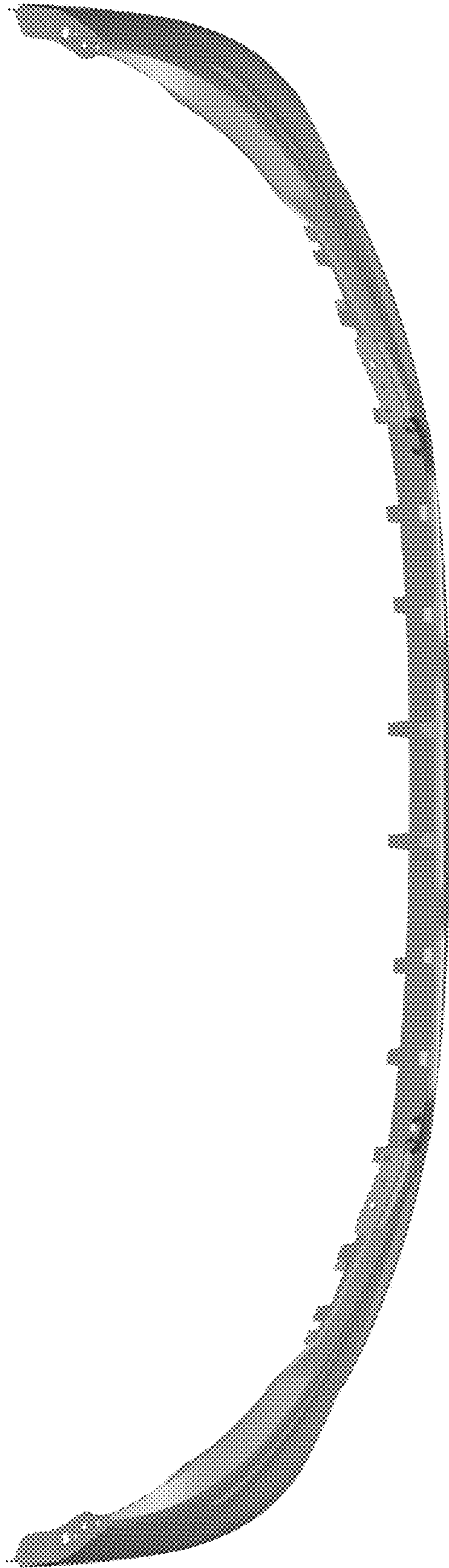
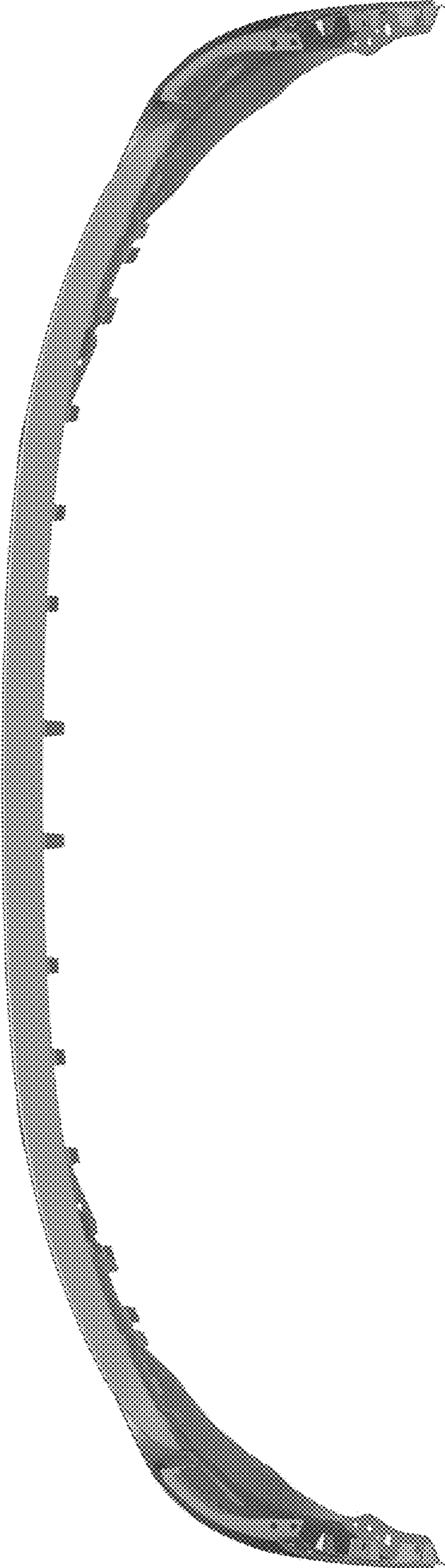


Fig. 4

Fig. 5



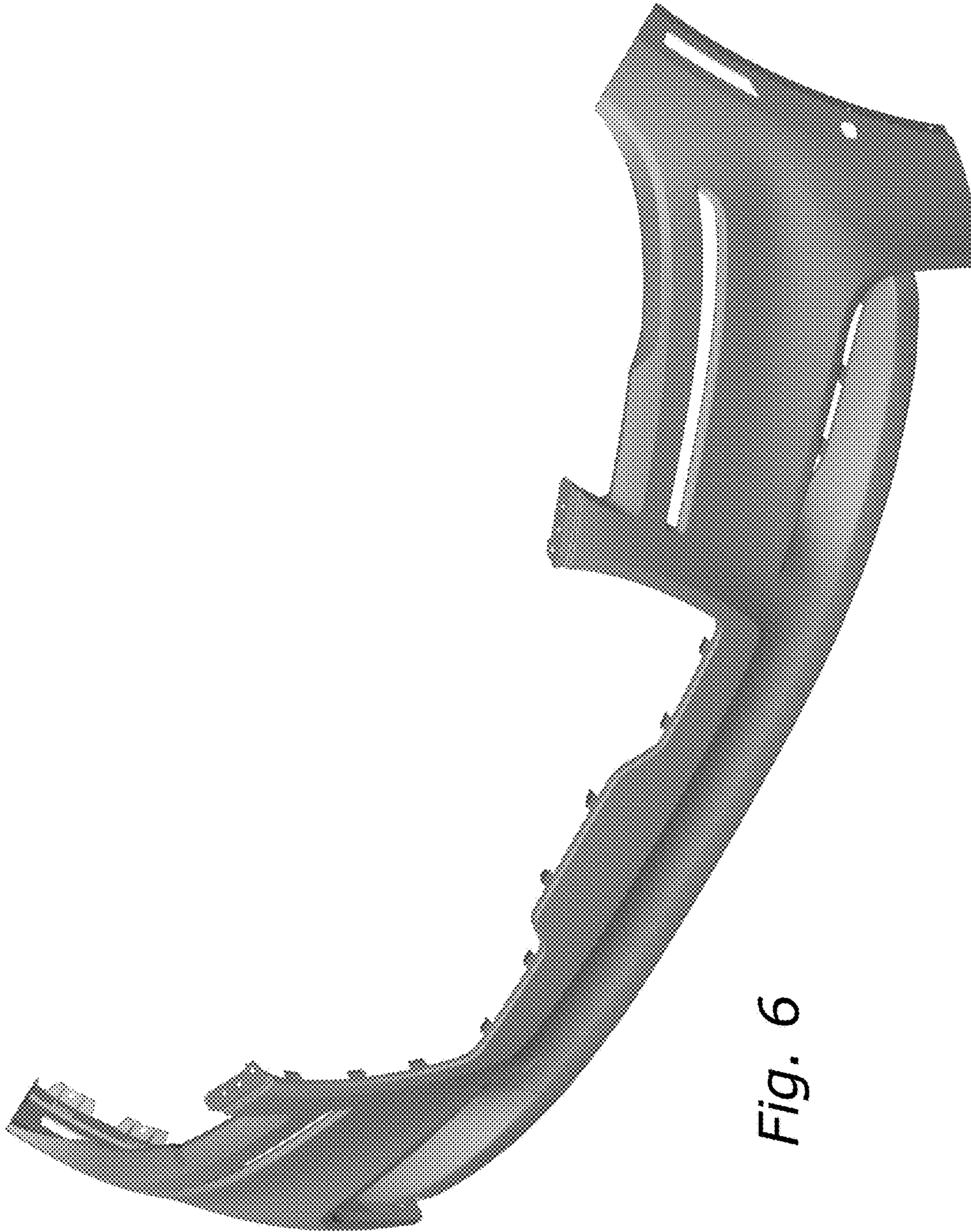


Fig. 6

