



US00D856214S

(12) **United States Design Patent** (10) **Patent No.:** **US D856,214 S**  
**Nakajima et al.** (45) **Date of Patent:** **\*\* Aug. 13, 2019**

(54) **REAR BUMPER FOR AUTOMOBILE**  
(71) Applicant: **Nissan Motor Co., Ltd.**, Yokohama, Kanagawa (JP)  
(72) Inventors: **Takeshi Nakajima**, Kanagawa (JP); **Hiroshi Oda**, Kanagawa (JP); **Junichi Nishikubo**, Kanagawa (JP)  
(73) Assignee: **Nissan Motor Co., Ltd.**, Yokohama (JP)  
(\*\*) Term: **15 Years**

D688,990 S \* 9/2013 Song ..... D12/169  
D690,631 S \* 10/2013 Kazama ..... D12/169  
D704,106 S \* 5/2014 Borkert ..... D12/169  
D717,220 S \* 11/2014 Murakawa ..... D12/169  
D735,624 S \* 8/2015 Sperling ..... D12/169  
D791,654 S \* 7/2017 Cartabiano ..... D12/169  
D801,088 S \* 10/2017 Henonin ..... D6/675  
D802,500 S \* 11/2017 Han ..... D12/169  
D819,518 S \* 6/2018 Minamiyama ..... D12/169  
D823,194 S \* 7/2018 Gueler ..... D12/169

\* cited by examiner

*Primary Examiner* — Melody N Brown

(21) Appl. No.: **29/639,162**  
(22) Filed: **Mar. 5, 2018**  
(30) **Foreign Application Priority Data**

Sep. 6, 2017 (JP) ..... 2017-019331

(51) **LOC (12) Cl.** ..... **12-16**  
(52) **U.S. Cl.**

USPC ..... **D12/169**

(58) **Field of Classification Search**

USPC .... D12/169, 216, 90-92, 86, 171, 196, 163,  
D12/190; 293/193.11; 296/180.1, 180.2;  
180/68.1, 68.6

CPC ..... B62D 25/08; B62B 9/16; B60K 11/08;  
B60R 19/52; B60R 19/02; B60R 19/04

See application file for complete search history.

(56) **References Cited**

U.S. PATENT DOCUMENTS

D677,202 S \* 3/2013 Hamilton ..... D12/169  
D683,282 S \* 5/2013 Fuchigami ..... D12/169

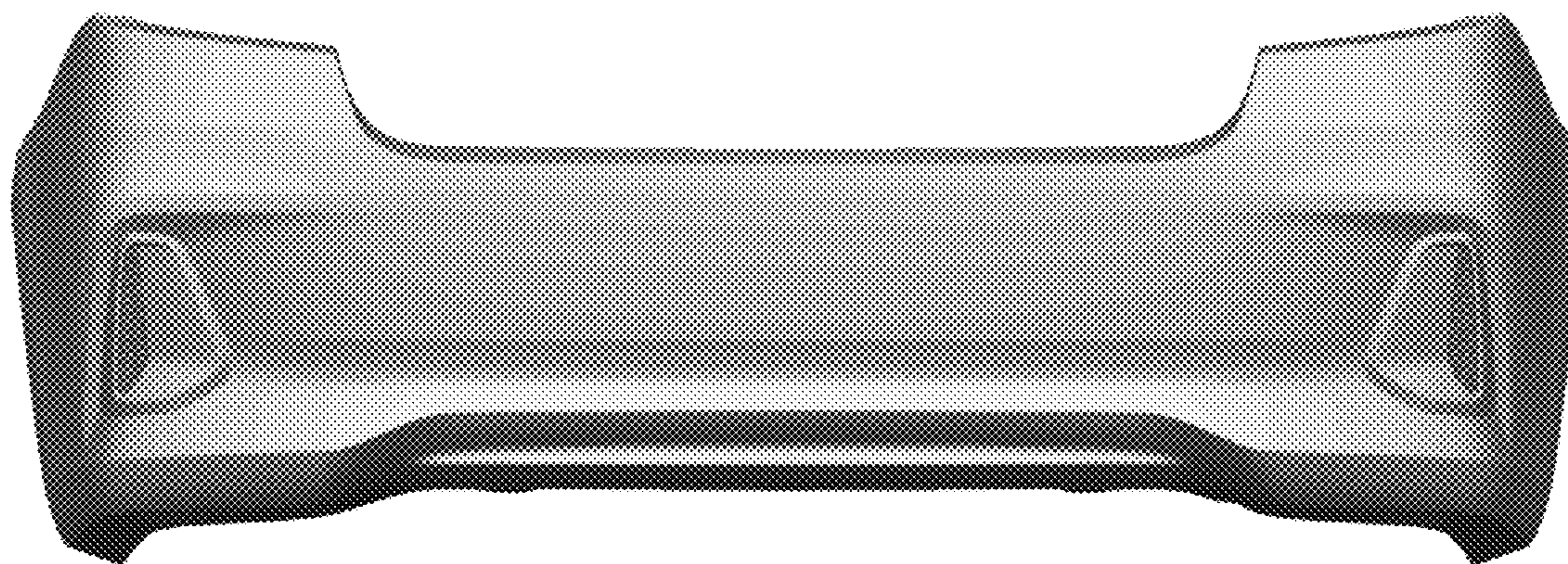
(57) **CLAIM**

The ornamental design for a rear bumper for automobile, as shown and described.

**DESCRIPTION**

FIG. 1 is a front elevational view of a rear bumper for automobile in accordance with our new design;  
FIG. 2 is a top plan view thereof;  
FIG. 3 is a bottom plan view thereof;  
FIG. 4 is a left side elevational view thereof;  
FIG. 5 is a right side elevational view thereof;  
FIG. 6 is a bottom, front and left side perspective view thereof; and,  
FIG. 7 is a top, front and right side perspective view thereof.  
The rear view of the rear bumper forms no part of the claimed design. The inside surfaces of the rear bumper, shown in broken lines in FIGS. 2, 3, 6 and 7, form no part of the claimed design since the inside surfaces are hidden when the rear bumper is mounted to the automobile.

**1 Claim, 7 Drawing Sheets**



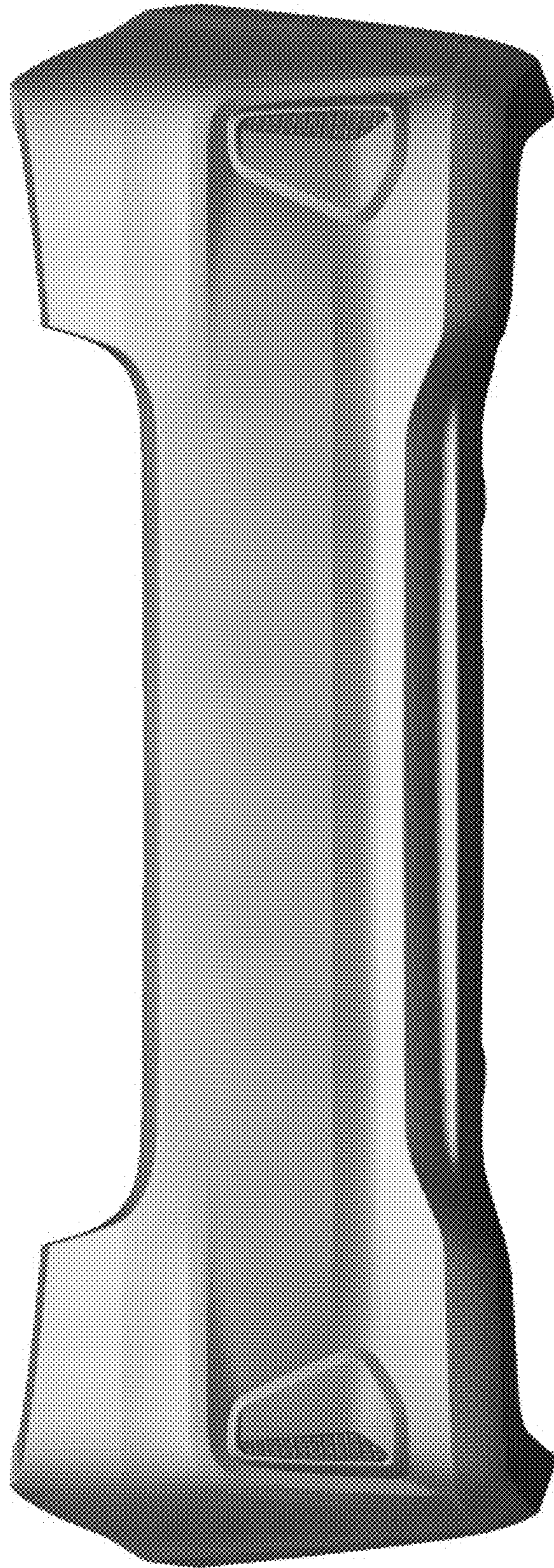


FIG. 1

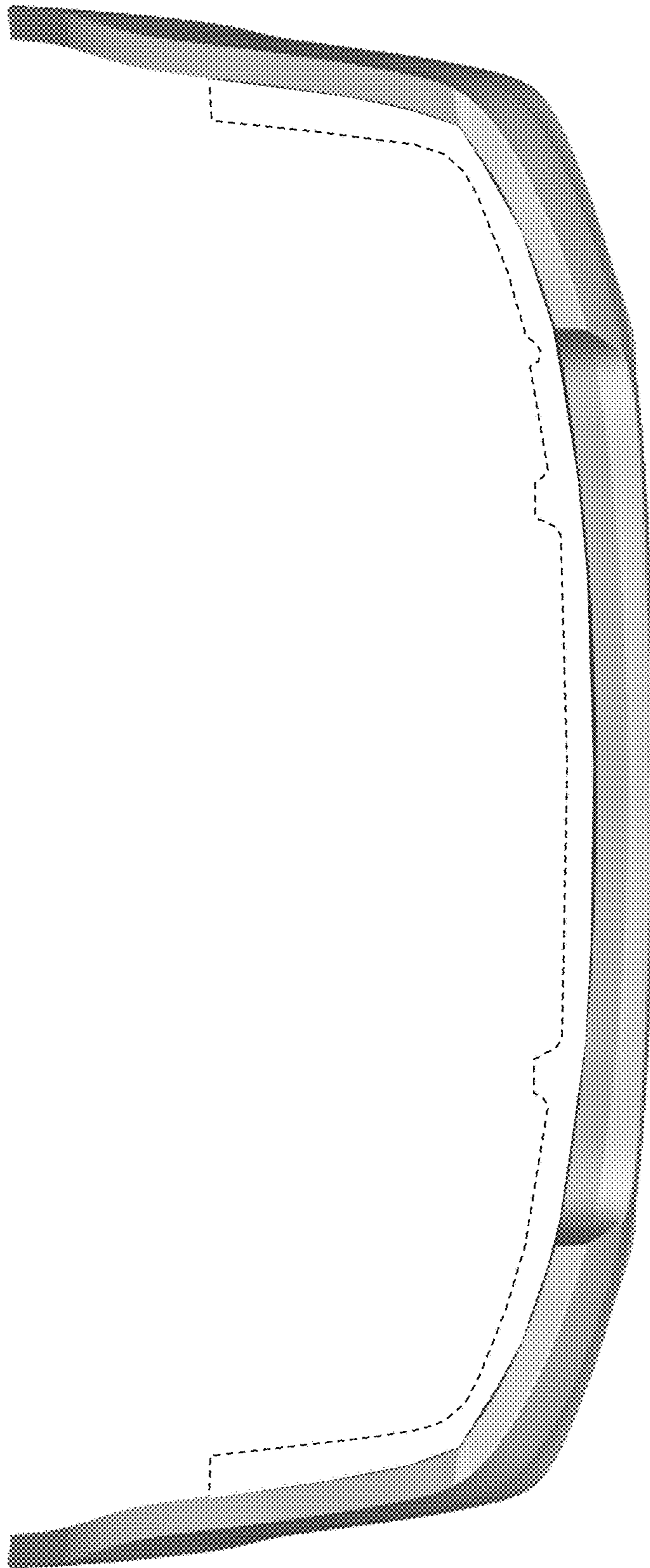


FIG. 2

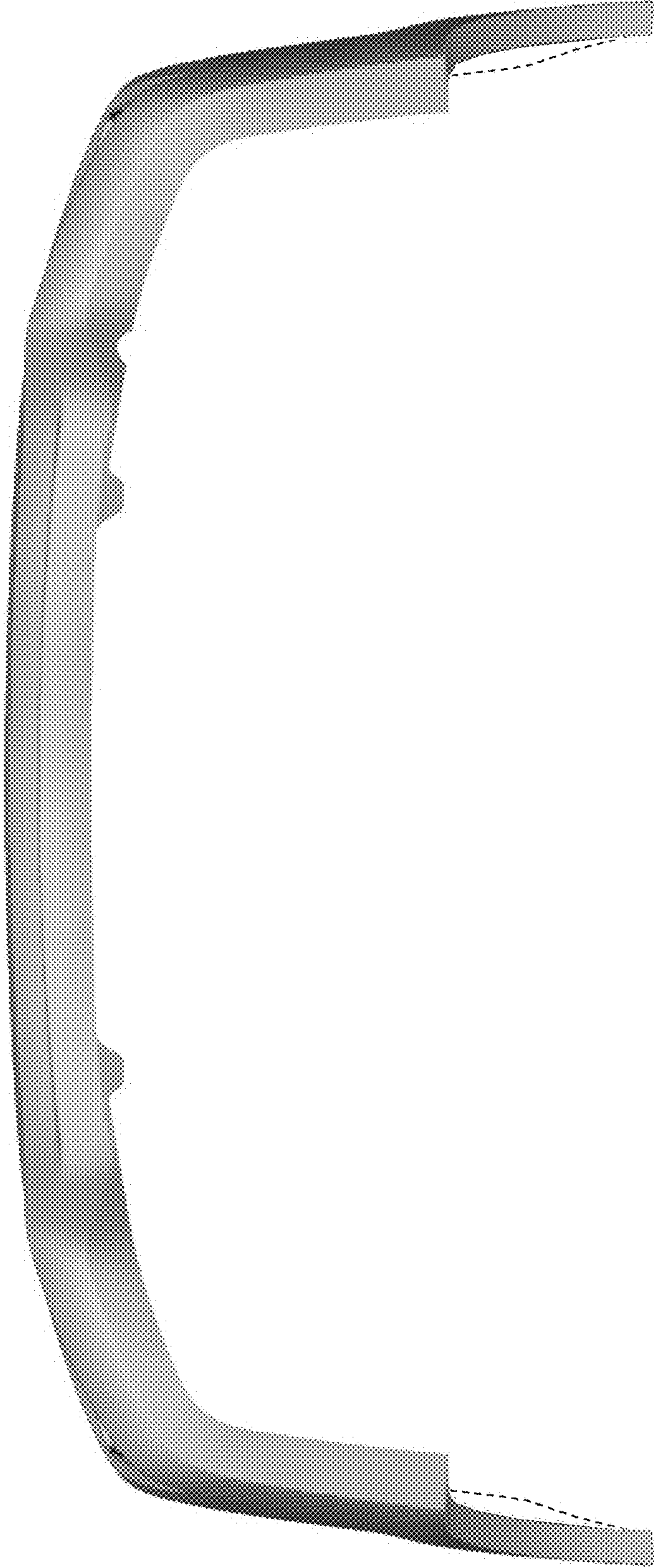


FIG. 3

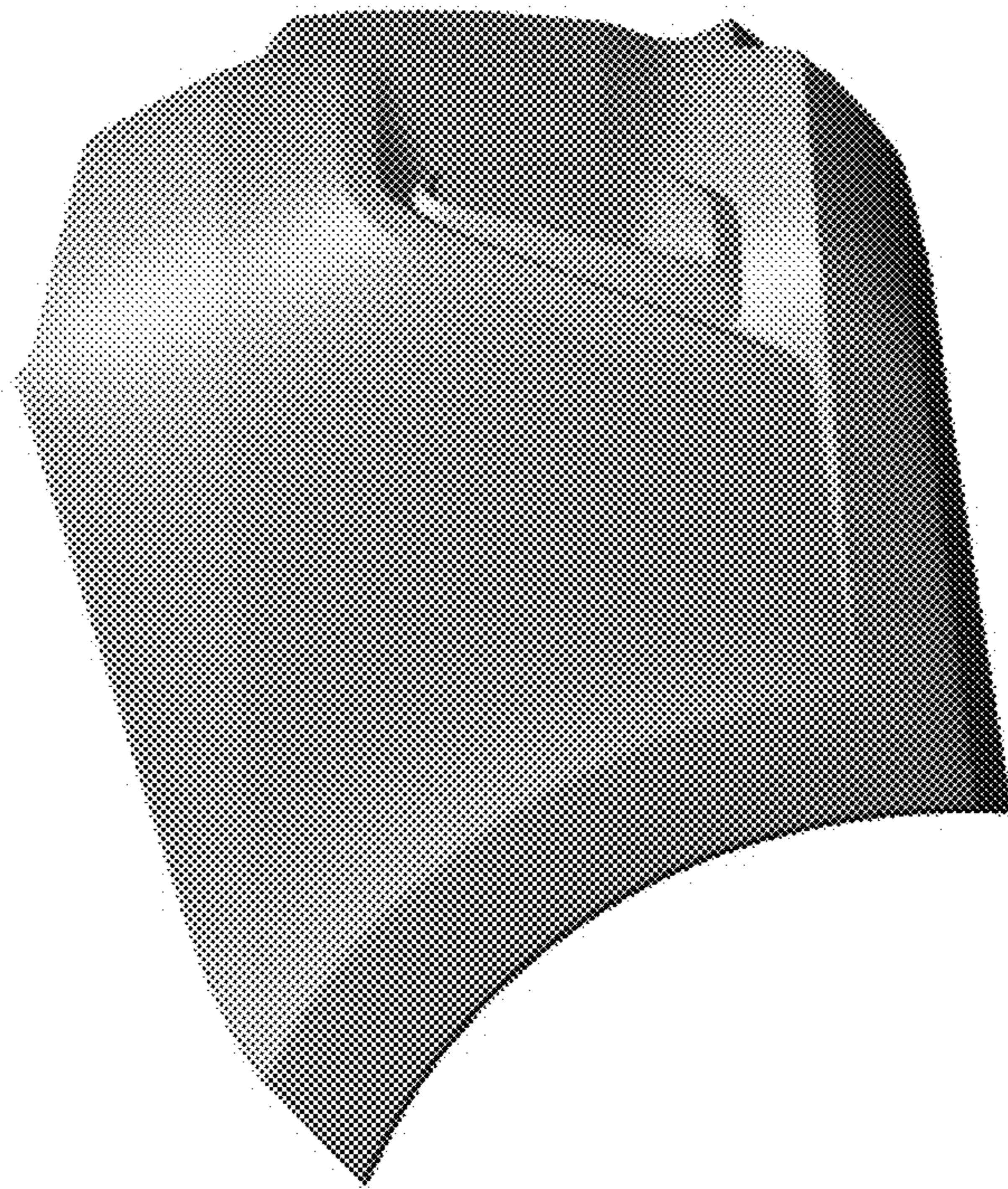


FIG. 4

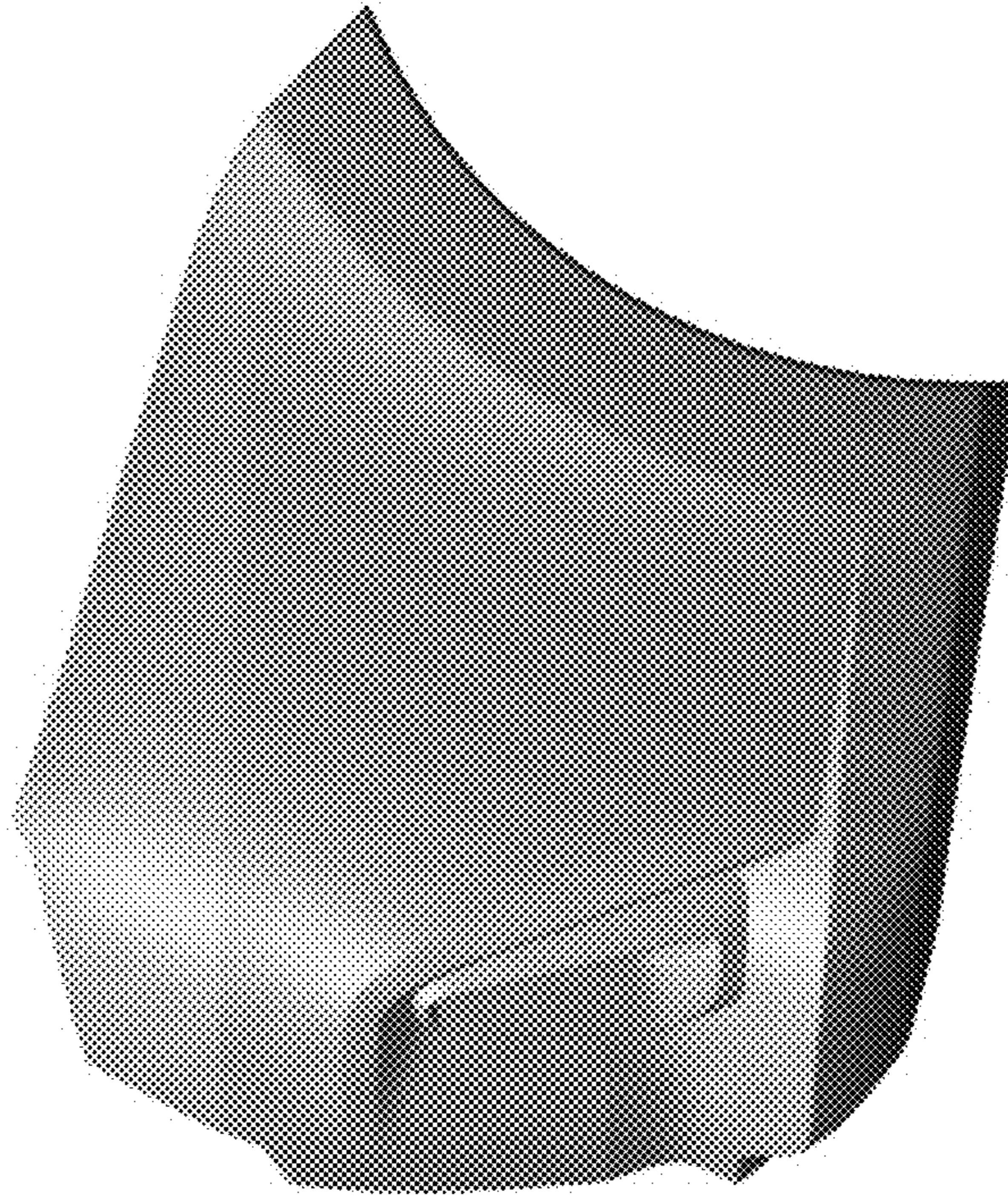


FIG. 5

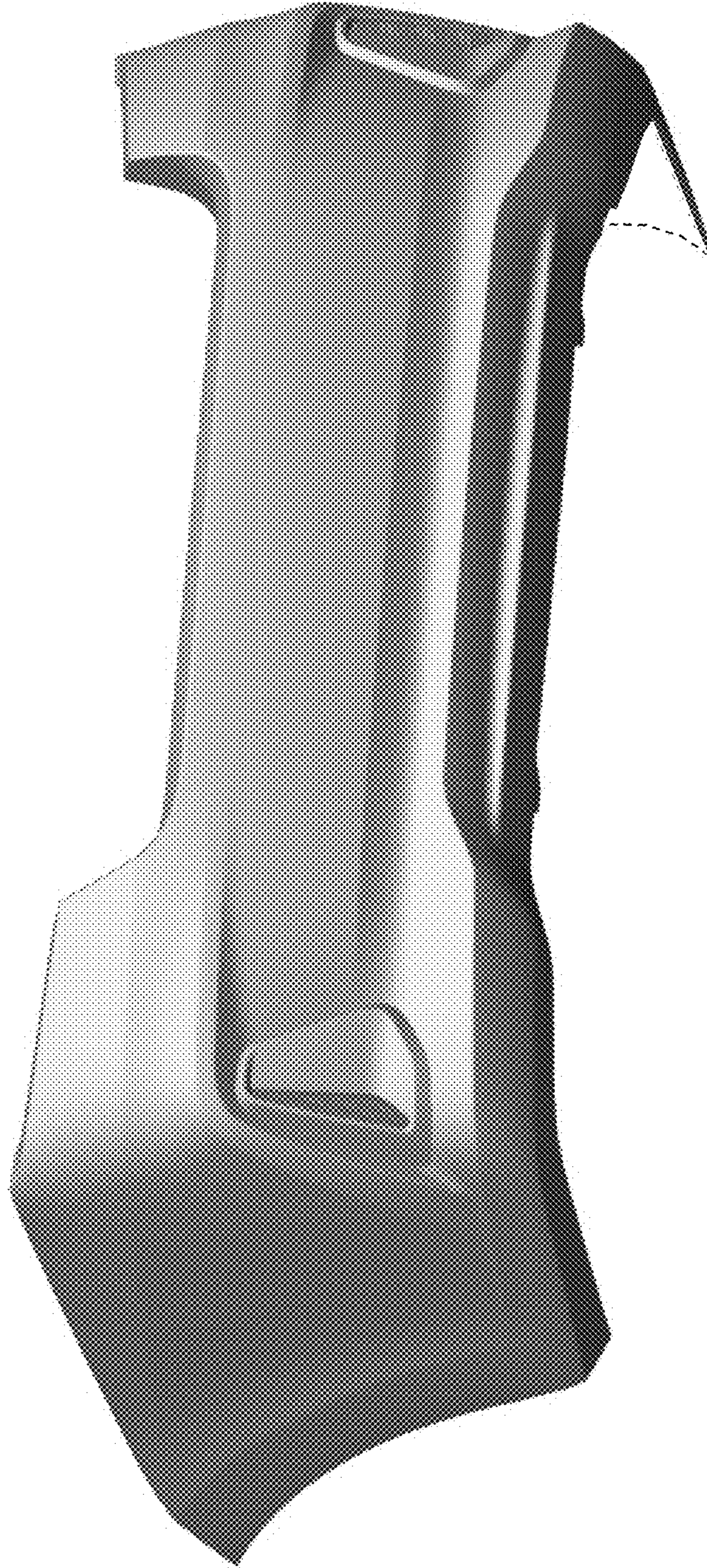


FIG. 6



FIG. 7