



US00D856212S

(12) **United States Design Patent** (10) **Patent No.:** **US D856,212 S**
Grewer (45) **Date of Patent:** **** Aug. 13, 2019**

(54) **REAR BUMPER FOR A VEHICLE**
(71) Applicant: **Jaguar Land Rover Limited**, Whitley,
Coventry (GB)

(72) Inventor: **Dale Grewer**, Coventry (GB)

(73) Assignee: **Jaguar Land Rover Limited**, Whitley,
Coventry (GB)

(**) Term: **15 Years**

(21) Appl. No.: **29/637,684**

(22) Filed: **Feb. 21, 2018**

(30) **Foreign Application Priority Data**

Aug. 31, 2017 (EM) 004174720

(51) **LOC (12) Cl.** **12-16**

(52) **U.S. Cl.**
USPC **D12/169**

(58) **Field of Classification Search**
USPC D12/169, 163, 164, 190, 196, 86, 90-92;
293/102, 113, 115, 117, 120; 296/180.1,
296/180.2

CPC B60R 19/02; B60R 19/04; B62D 25/08
See application file for complete search history.

(56) **References Cited**

U.S. PATENT DOCUMENTS

D775,038 S * 12/2016 Frascella D12/169
D786,746 S * 5/2017 Wheel D12/169
D801,883 S * 11/2017 Fujiwara D12/169
D801,885 S * 11/2017 Melikian D12/169
D816,565 S * 5/2018 Kim D12/169

D822,553 S * 7/2018 Austin D12/169
D840,292 S * 2/2019 Wheel D12/169
D842,771 S * 3/2019 Nishii D12/169
D842,777 S * 3/2019 Austin D12/169

* cited by examiner

Primary Examiner — Melody N Brown

(74) *Attorney, Agent, or Firm* — Wood Herron & Evans
LLP

(57) **CLAIM**

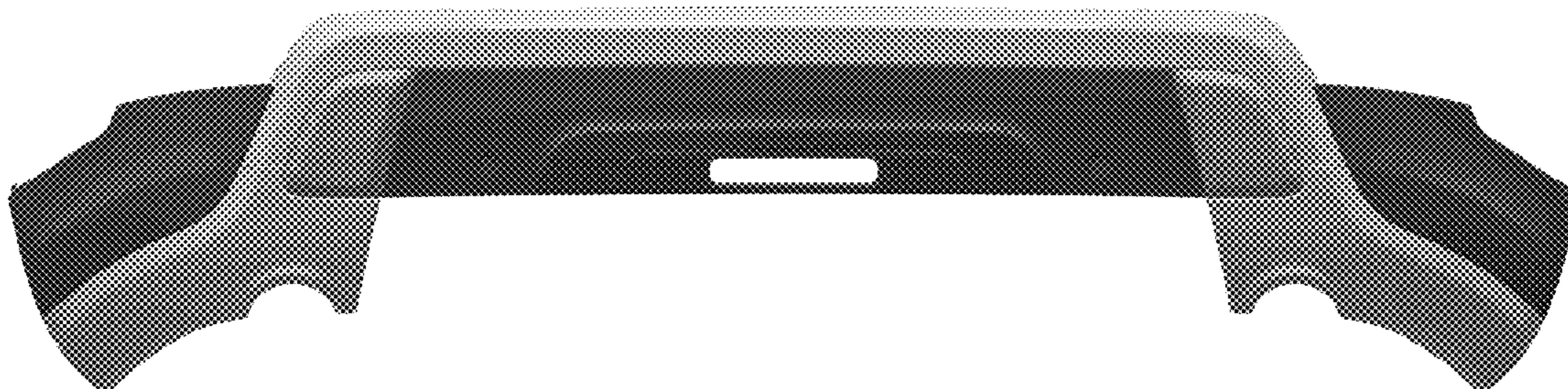
The ornamental design for a rear bumper for a vehicle, as
shown and described.

DESCRIPTION

FIG. 1 is a right, front perspective view of a rear bumper for
a vehicle showing my new design;
FIG. 2 is a left, front perspective view thereof;
FIG. 3 is a left, rear perspective view thereof;
FIG. 4 is a right, rear perspective view thereof;
FIG. 5 is a front elevational view thereof;
FIG. 6 is a rear elevational view thereof;
FIG. 7 is a right side elevational view thereof;
FIG. 8 is a left side elevational view thereof;
FIG. 9 is a top plan view thereof;
FIG. 10 is a bottom plan view thereof; and,
FIG. 11 is another front elevational view thereof shown on
a vehicle.

The portions of the vehicle shown in the FIG. 11 drawing
view in a de-emphasized and half-tone form outside the
broken lines and the broken lines representing the boundary
and configuration of what is claimed as the design are all for
environmental and illustrative purposes only and form no
part of the claimed design.

1 Claim, 11 Drawing Sheets



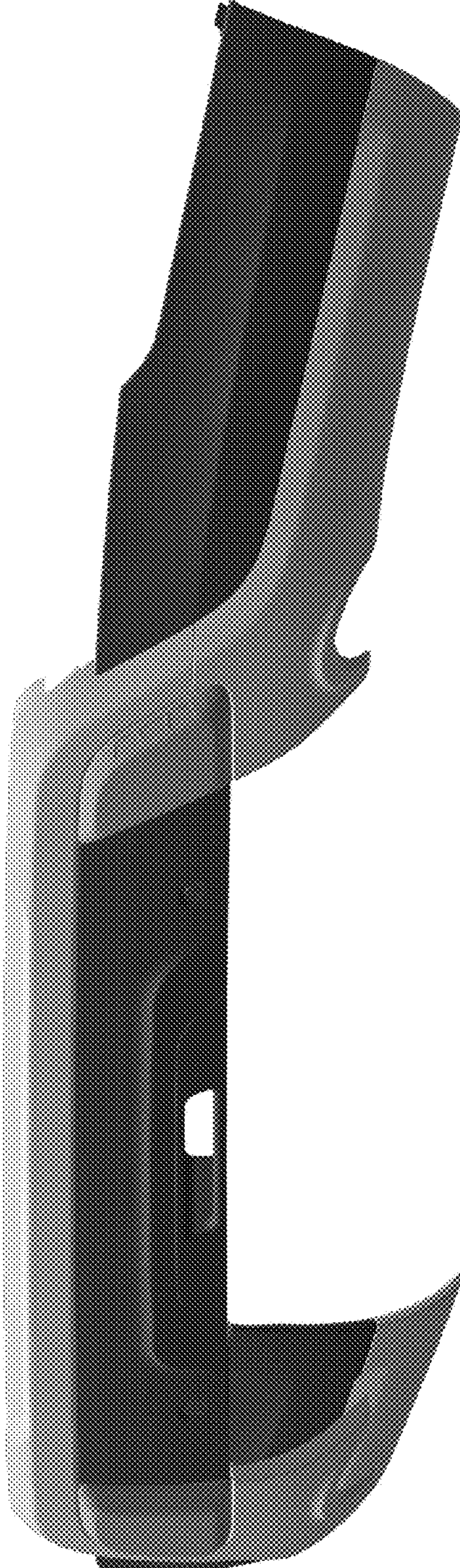


FIG. 1

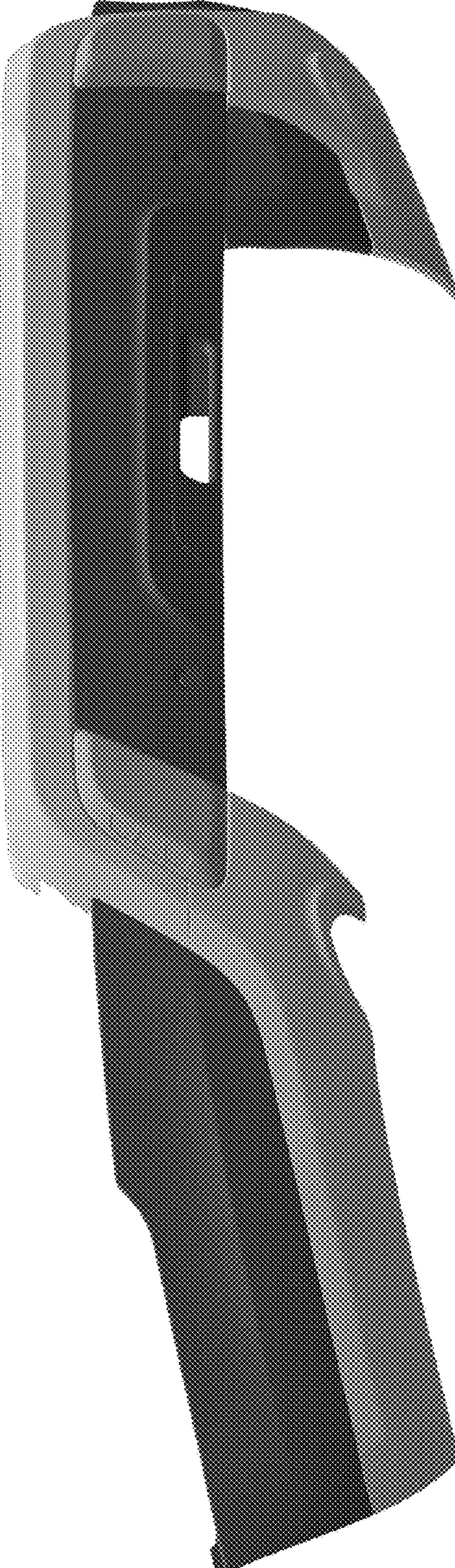


FIG. 2

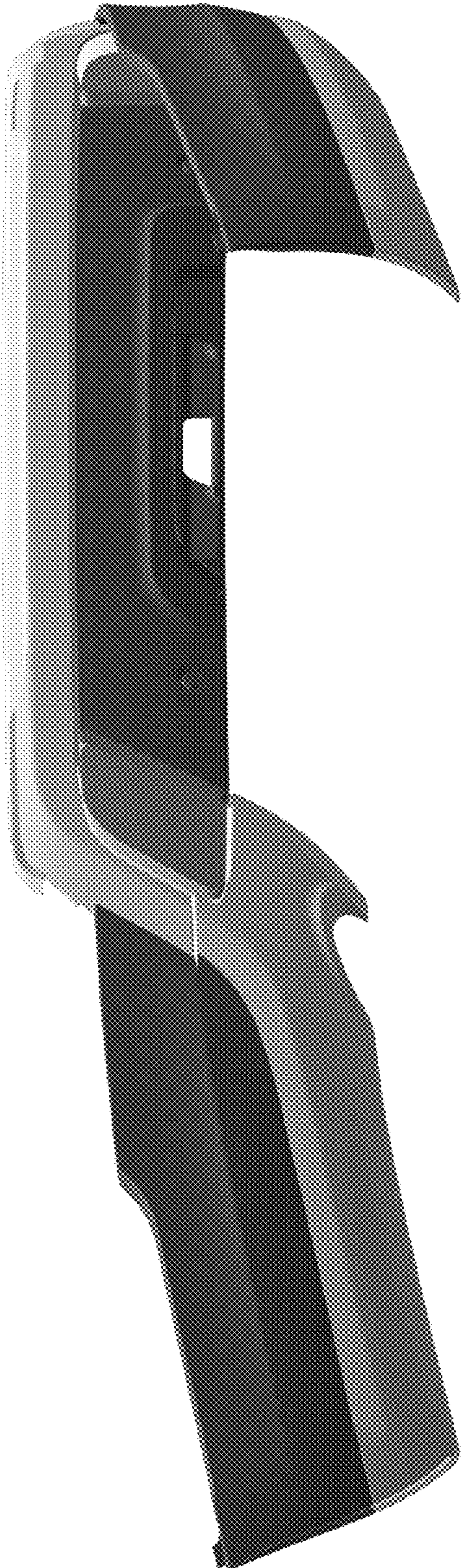


FIG. 3

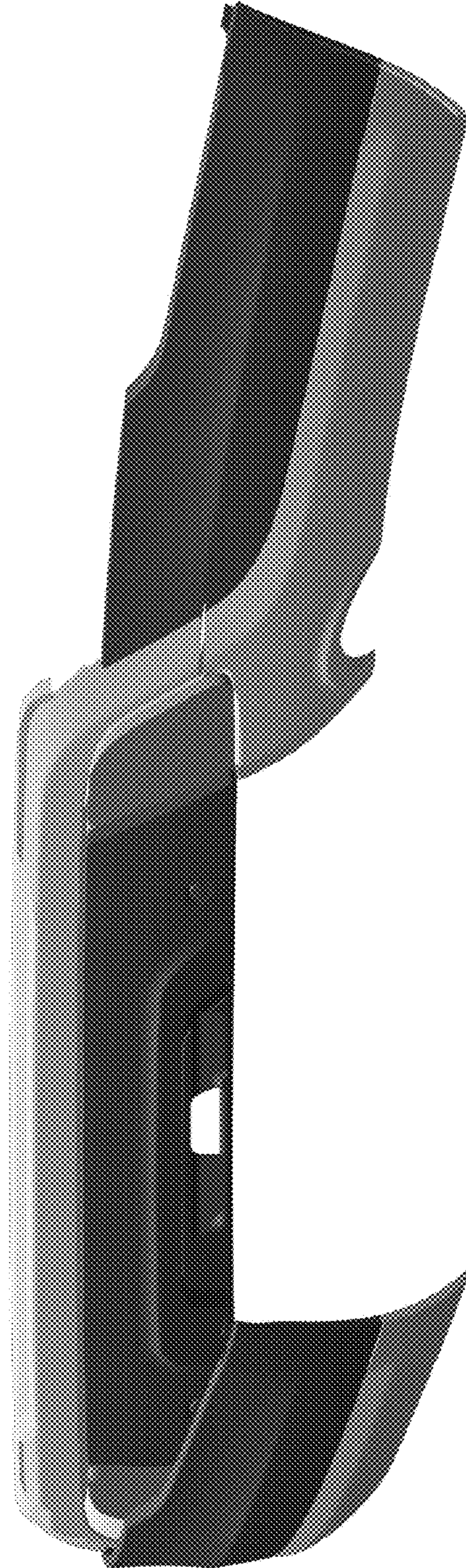


FIG. 4

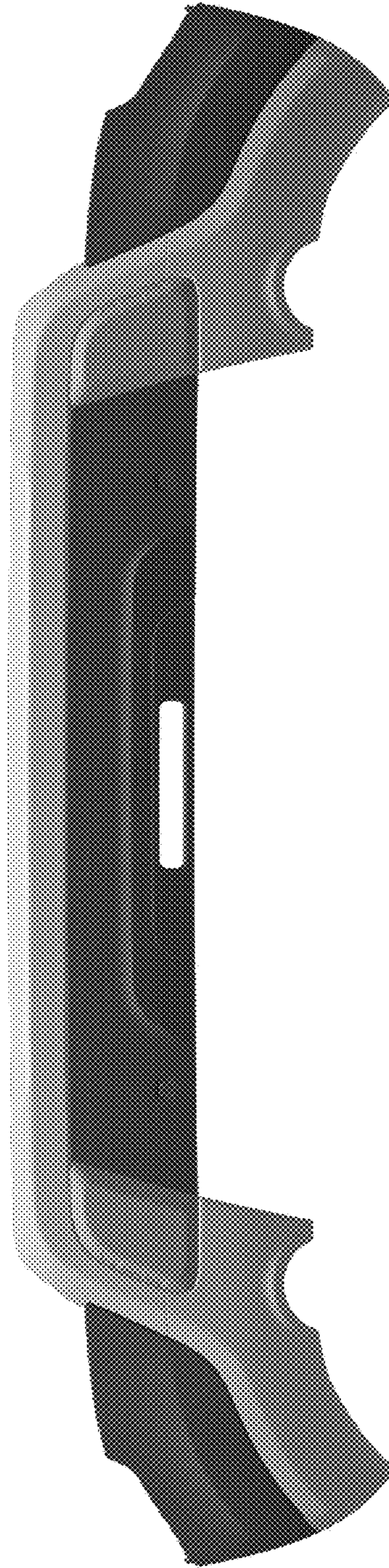


FIG. 5

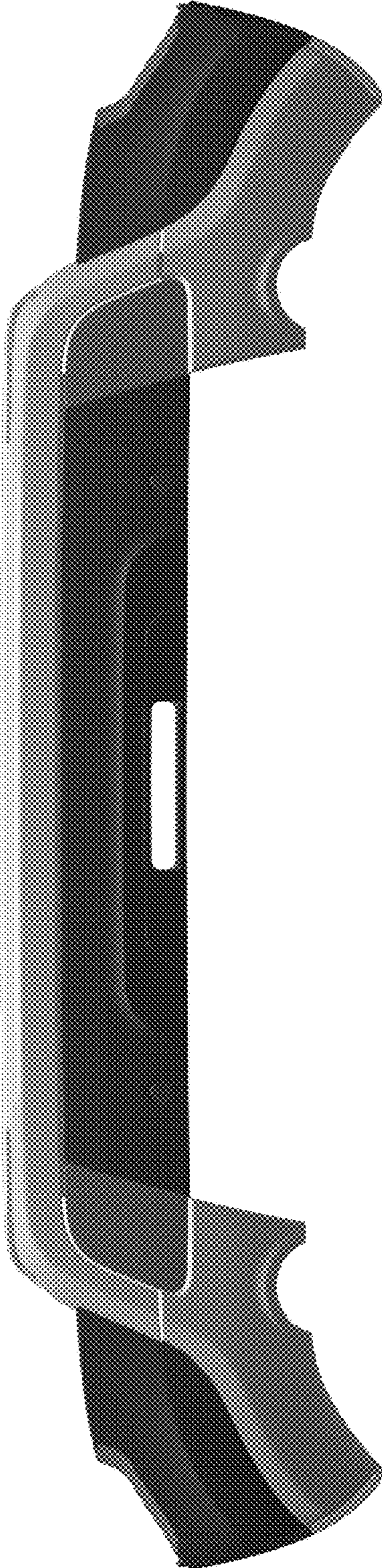


FIG. 6

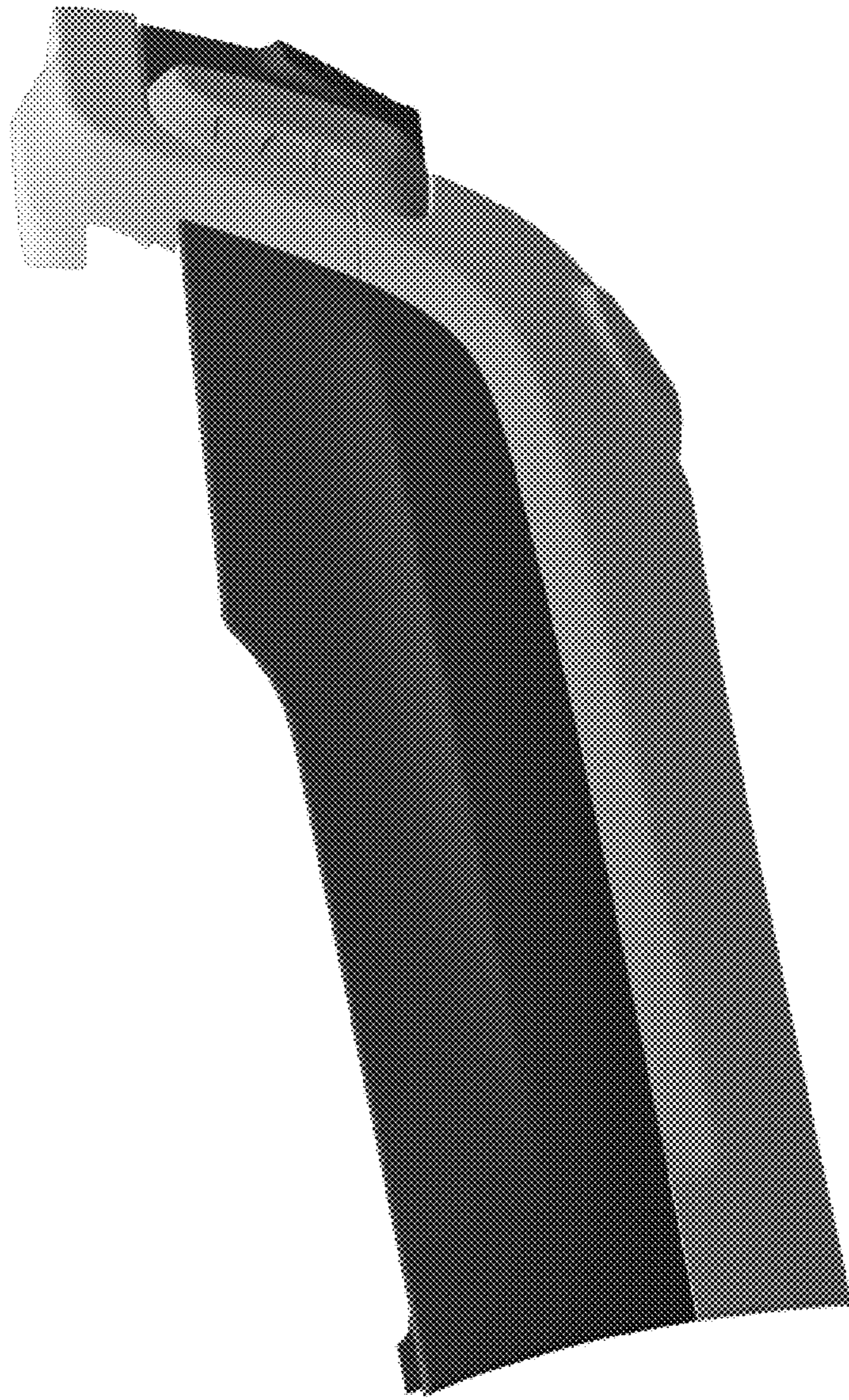


FIG. 7

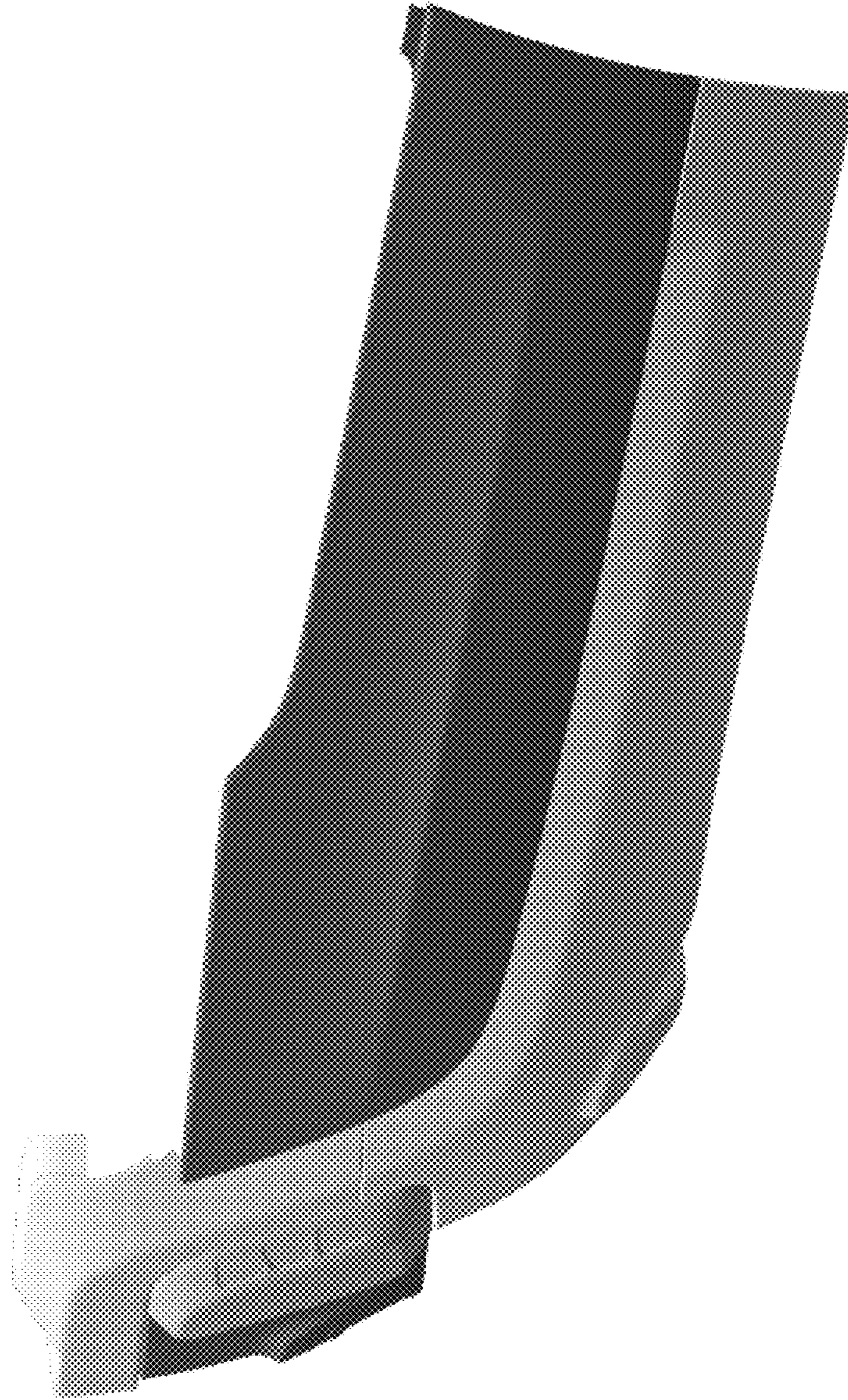


FIG. 8

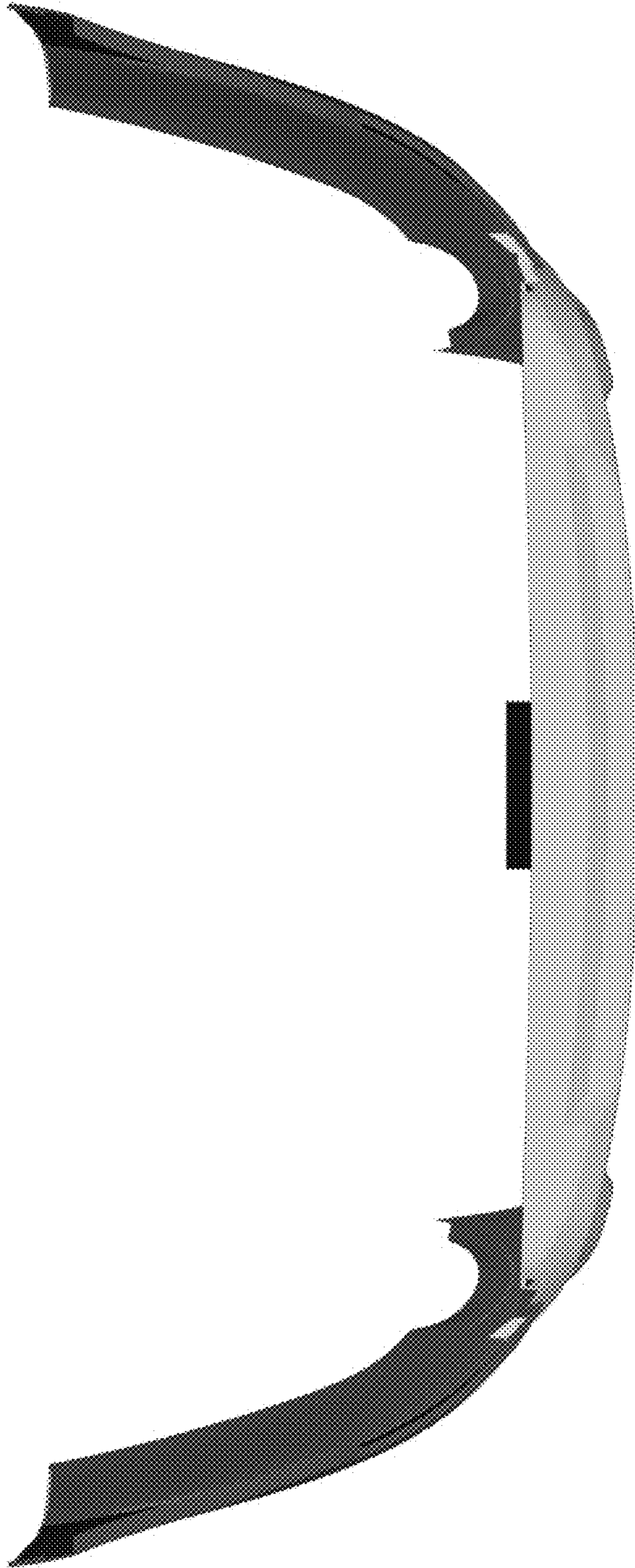


FIG. 9

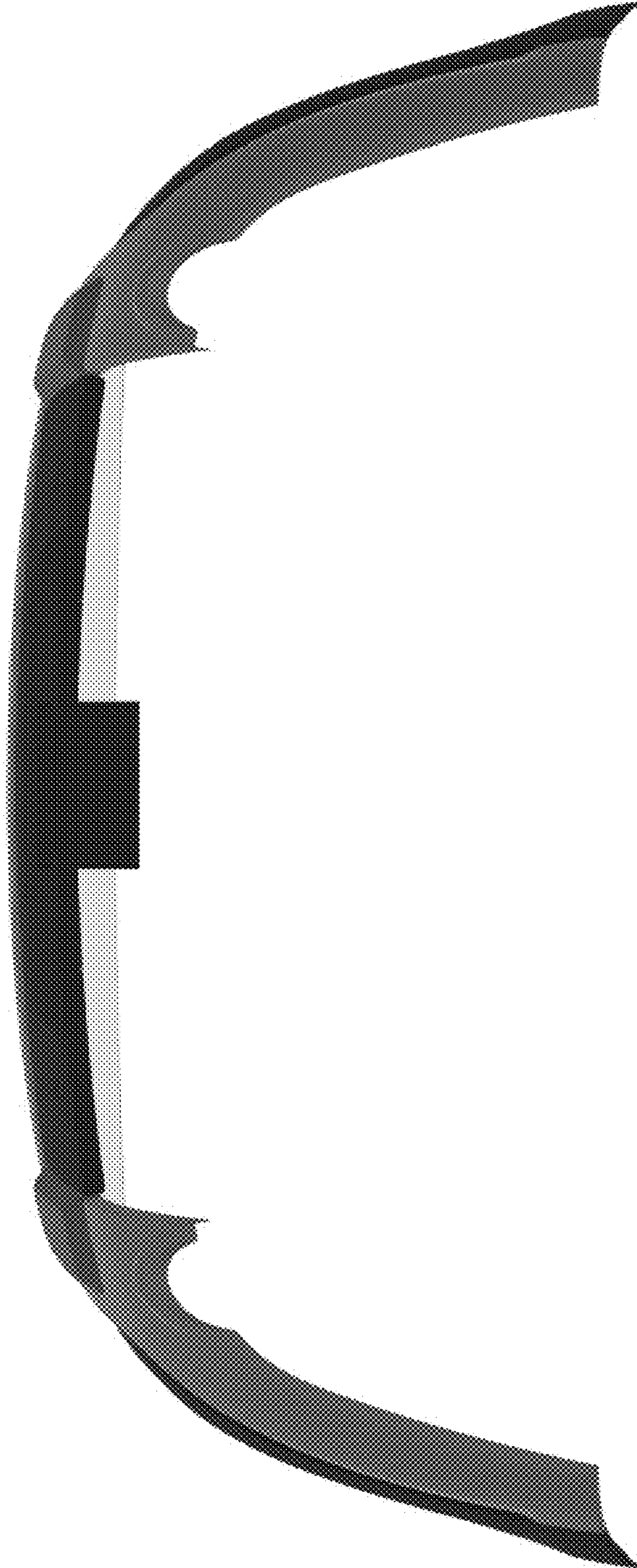


FIG. 10

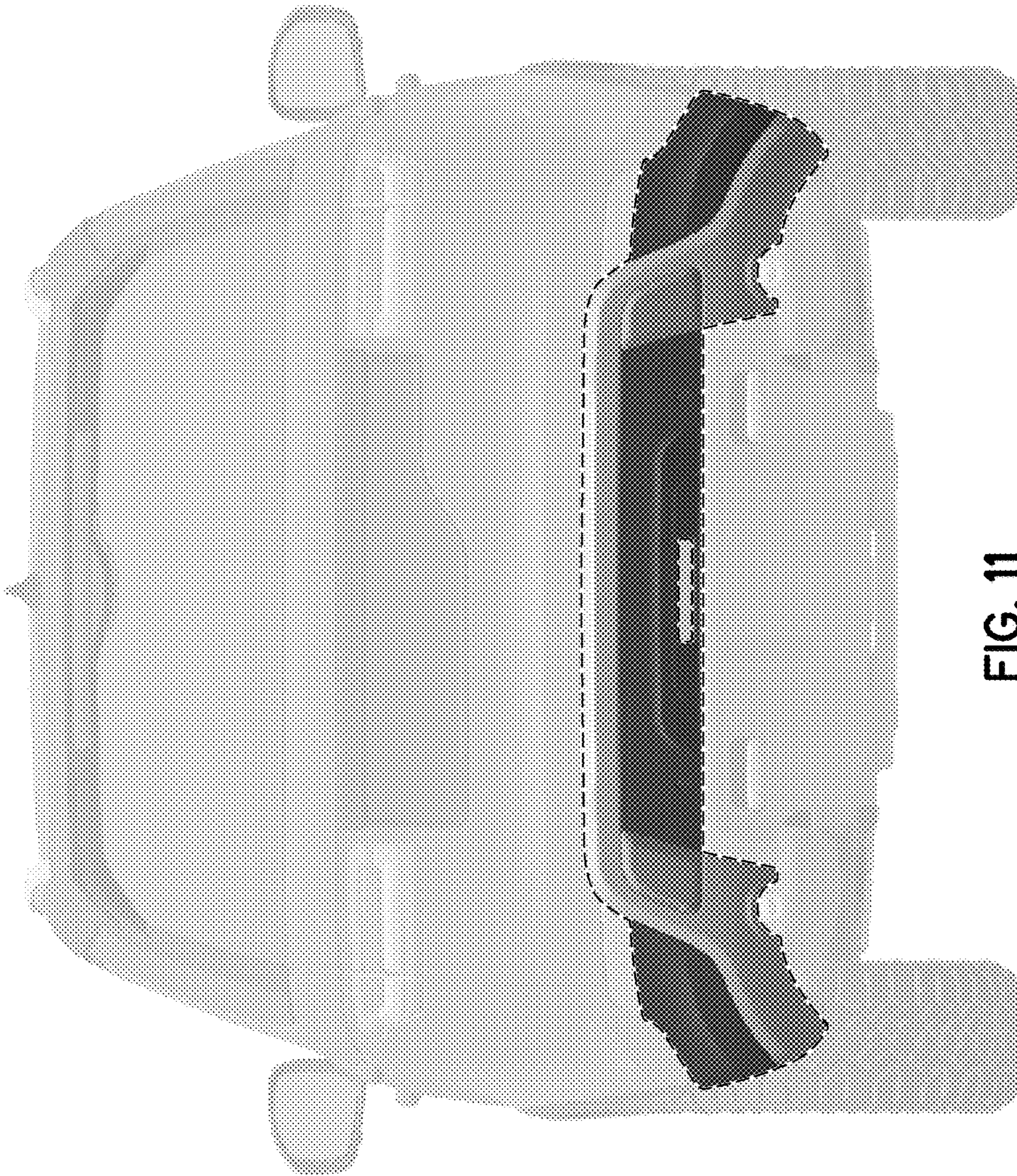


FIG. 11

UNITED STATES PATENT AND TRADEMARK OFFICE
CERTIFICATE OF CORRECTION

PATENT NO. : D856,212 S
APPLICATION NO. : 29/637684
DATED : August 13, 2019
INVENTOR(S) : Dale Grewer

Page 1 of 1

It is certified that error appears in the above-identified patent and that said Letters Patent is hereby corrected as shown below:

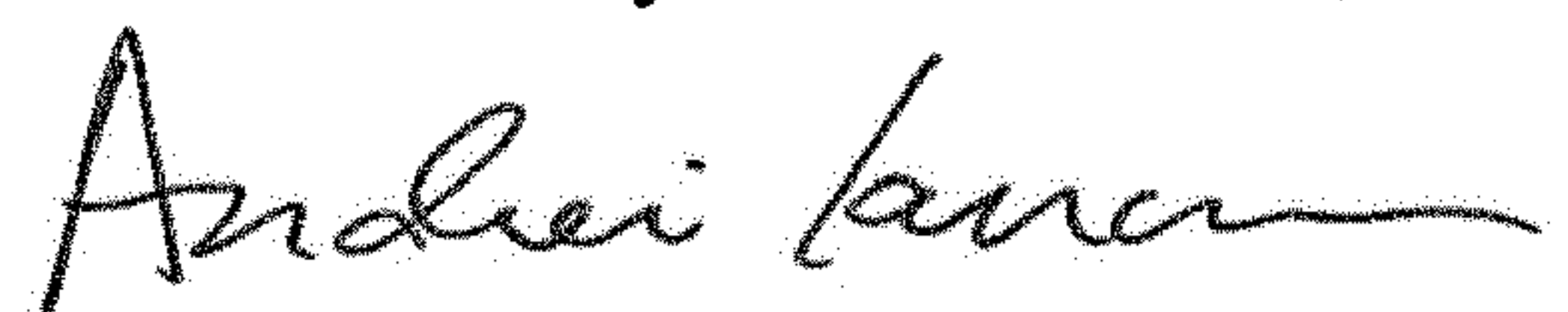
On the Title Page

Column 2, Under "Description"

Line 8, "right side" should read ---left side---.

Line 9, "left side" should read ---right side---.

Signed and Sealed this
Nineteenth Day of November, 2019



Andrei Iancu
Director of the United States Patent and Trademark Office