



US00D856211S

(12) **United States Design Patent** (10) **Patent No.:** **US D856,211 S**
Buck et al. (45) **Date of Patent:** **** Aug. 13, 2019**

- (54) **REAR BUMPER FOR A VEHICLE**
- (71) Applicant: **Jaguar Land Rover Limited**, Whitley, Coventry (GB)
- (72) Inventors: **Joe Buck**, Coventry (GB); **Adam Setter**, Coventry (GB); **Phil Hall**, Coventry (GB)
- (73) Assignee: **Jaguar Land Rover Limited**, Whitley, Coventry (GB)
- (**) Term: **15 Years**
- (21) Appl. No.: **29/637,295**
- (22) Filed: **Feb. 15, 2018**

D818,402 S *	5/2018	Kawakami	D12/169
D819,525 S *	6/2018	Behmer	D12/169
D824,816 S *	8/2018	Nakajima	D12/169
D840,292 S *	2/2019	Wheel	D12/169

* cited by examiner

Primary Examiner — Melody N Brown
(74) *Attorney, Agent, or Firm* — Wood Herron & Evans LLP

(30) **Foreign Application Priority Data**

Aug. 30, 2017 (EM) 004172039

(51) **LOC (12) Cl.** **12-16**

(52) **U.S. Cl.**
USPC **D12/169**

(58) **Field of Classification Search**
USPC D12/169; 293/102, 113, 115, 117, 120;
296/180.1, 180.2
CPC B60R 19/02; B60R 19/04; B62D 25/08
See application file for complete search history.

(56) **References Cited**

U.S. PATENT DOCUMENTS

D798,200 S *	9/2017	Zavatski	D12/169
D798,203 S *	9/2017	Shiu	D12/169
D813,110 S *	3/2018	Whitla	D12/169
D813,753 S *	3/2018	Loeb	D12/169
D813,754 S *	3/2018	Loeb	D12/169
D814,994 S *	4/2018	Varga	D12/169

(57) **CLAIM**

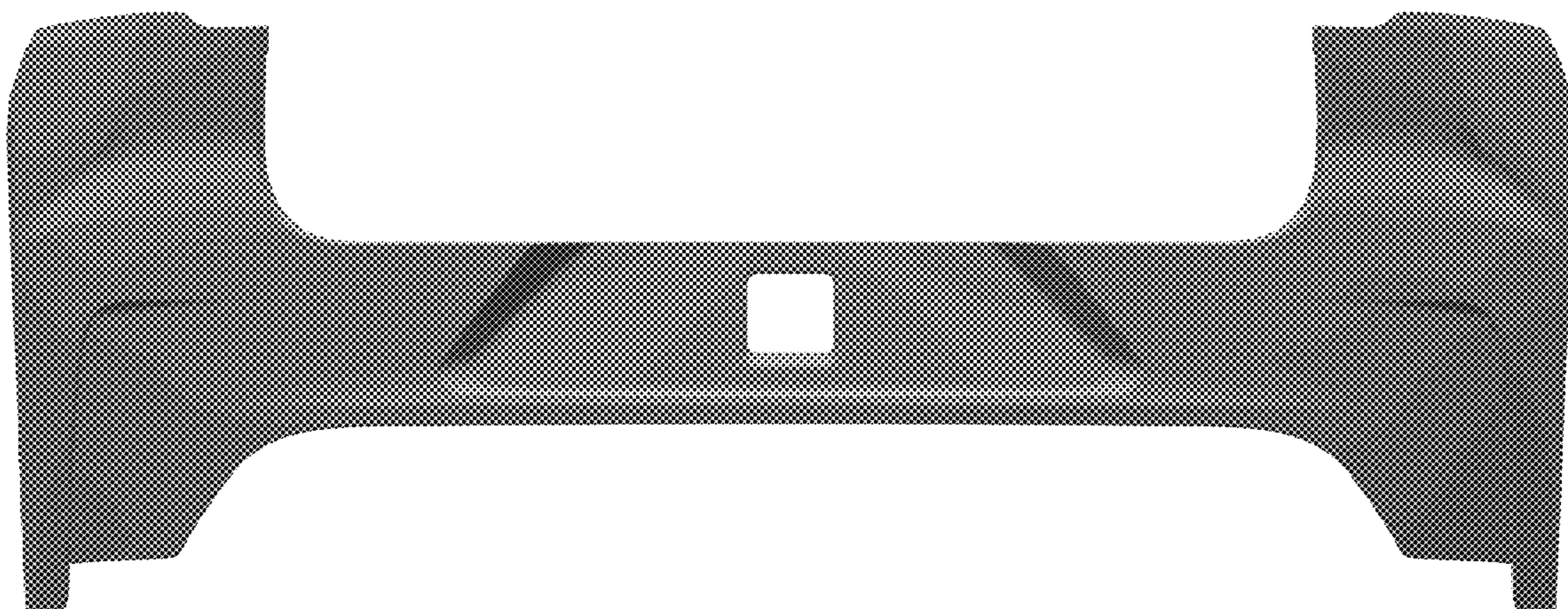
The ornamental design for a rear bumper for a vehicle, as shown and described.

DESCRIPTION

FIG. 1 is a right, front perspective view of a rear bumper for a vehicle showing our new design;
FIG. 2 is a left, front perspective view thereof;
FIG. 3 is a left, rear perspective view thereof;
FIG. 4 is a right, rear perspective view thereof;
FIG. 5 is a front elevational view thereof;
FIG. 6 is a rear elevational view thereof;
FIG. 7 is a right side elevational view thereof;
FIG. 8 is a left side elevational view thereof;
FIG. 9 is a top plan view thereof;
FIG. 10 is a bottom plan view thereof; and,
FIG. 11 is another front elevational view thereof shown on a vehicle.

The portions of the vehicle shown in the FIG. 11 drawing view in a de-emphasized and half-tone form outside the broken lines and the broken lines representing the boundary and configuration of what is claimed as the design are all for environmental and illustrative purposes only and form no part of the claimed design.

1 Claim, 11 Drawing Sheets



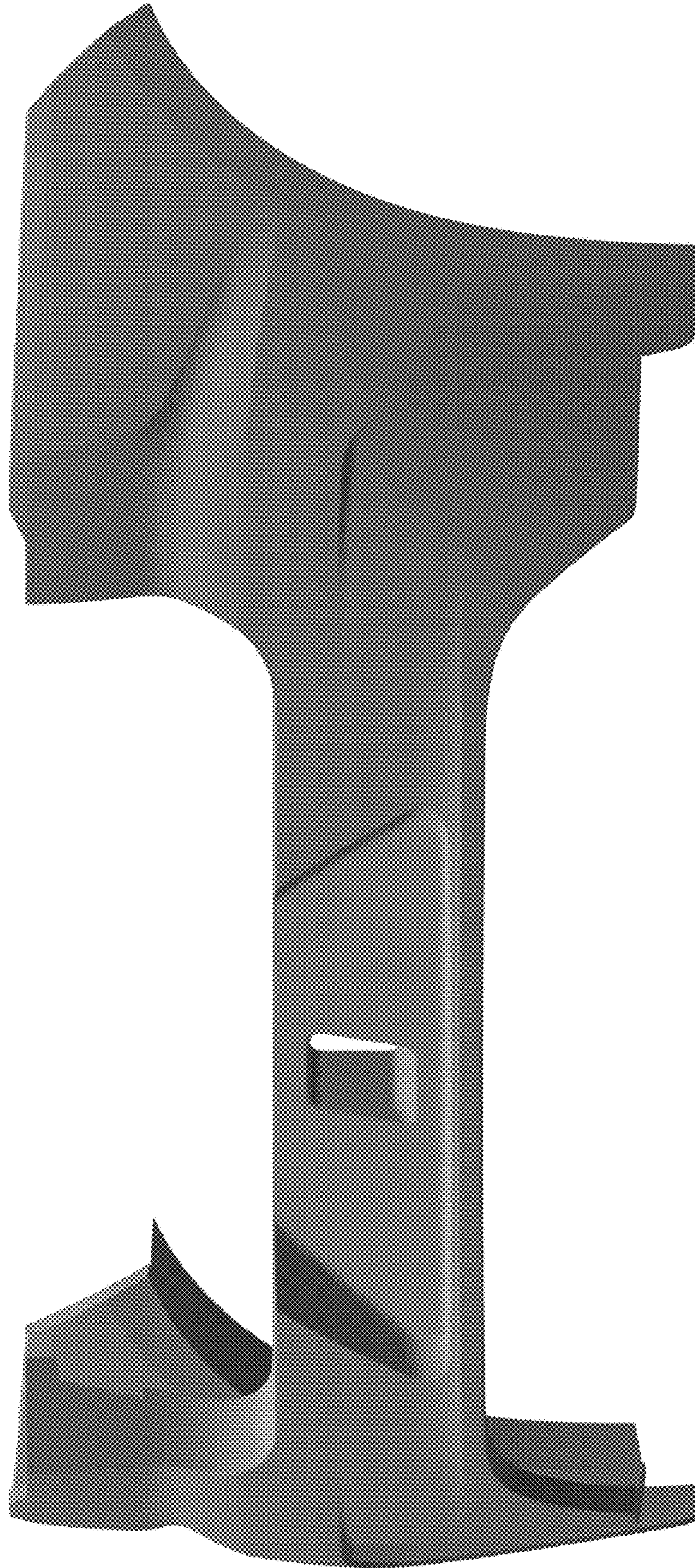


FIG. 1

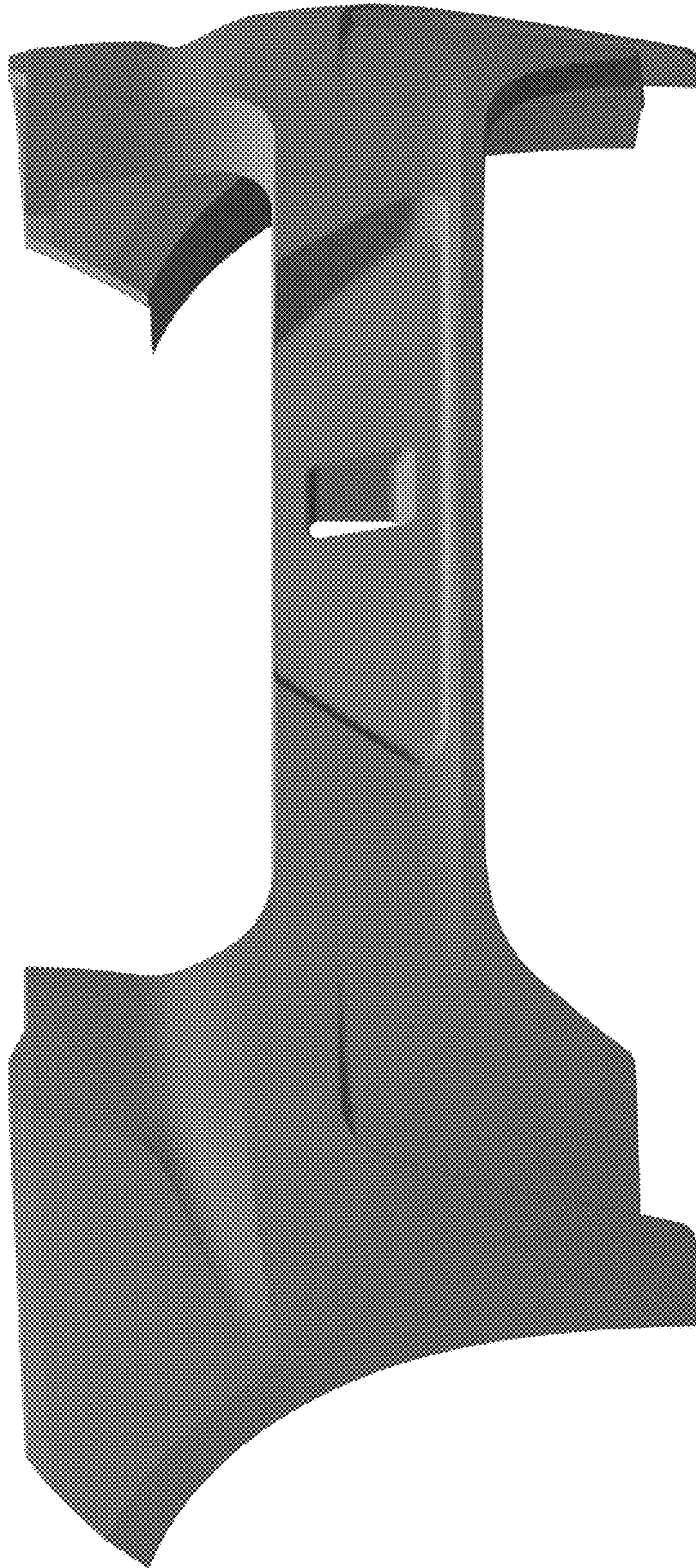


FIG. 2

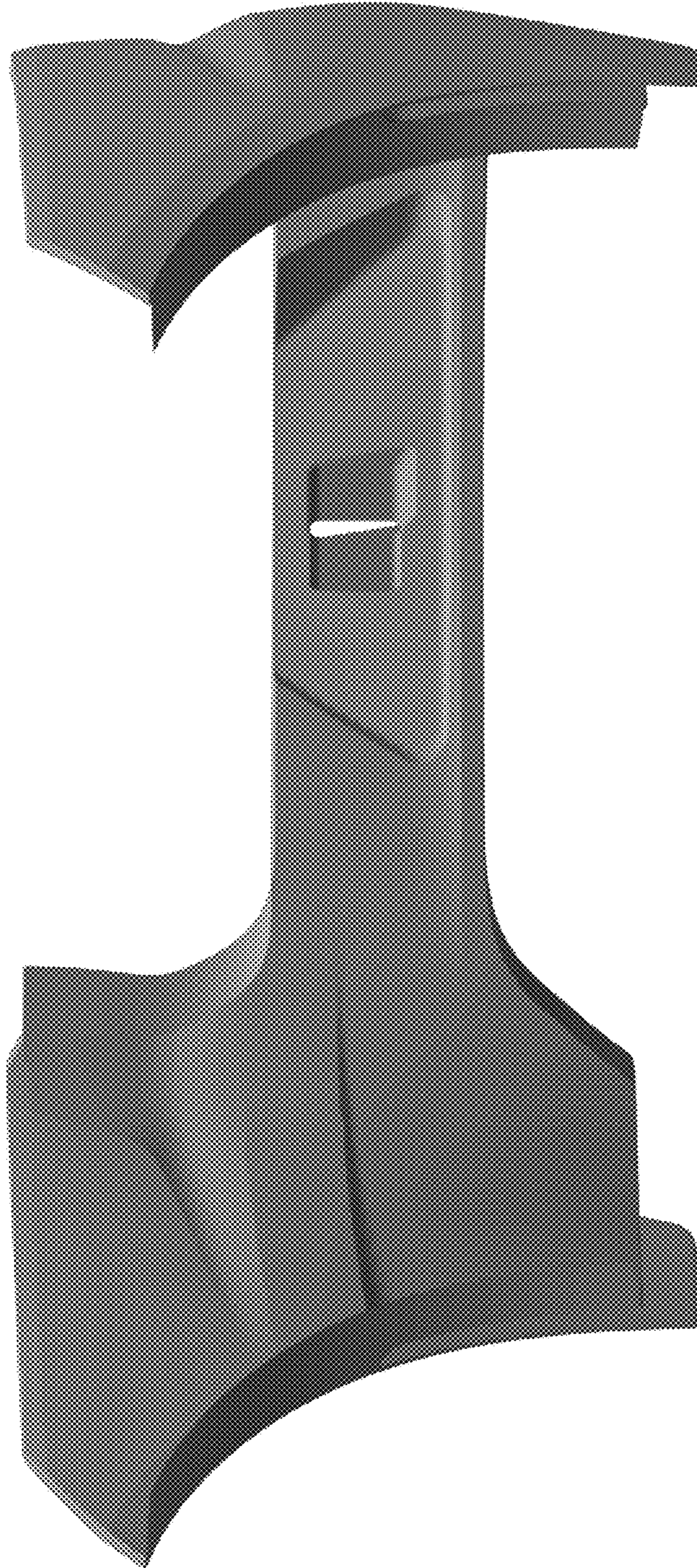


FIG. 3

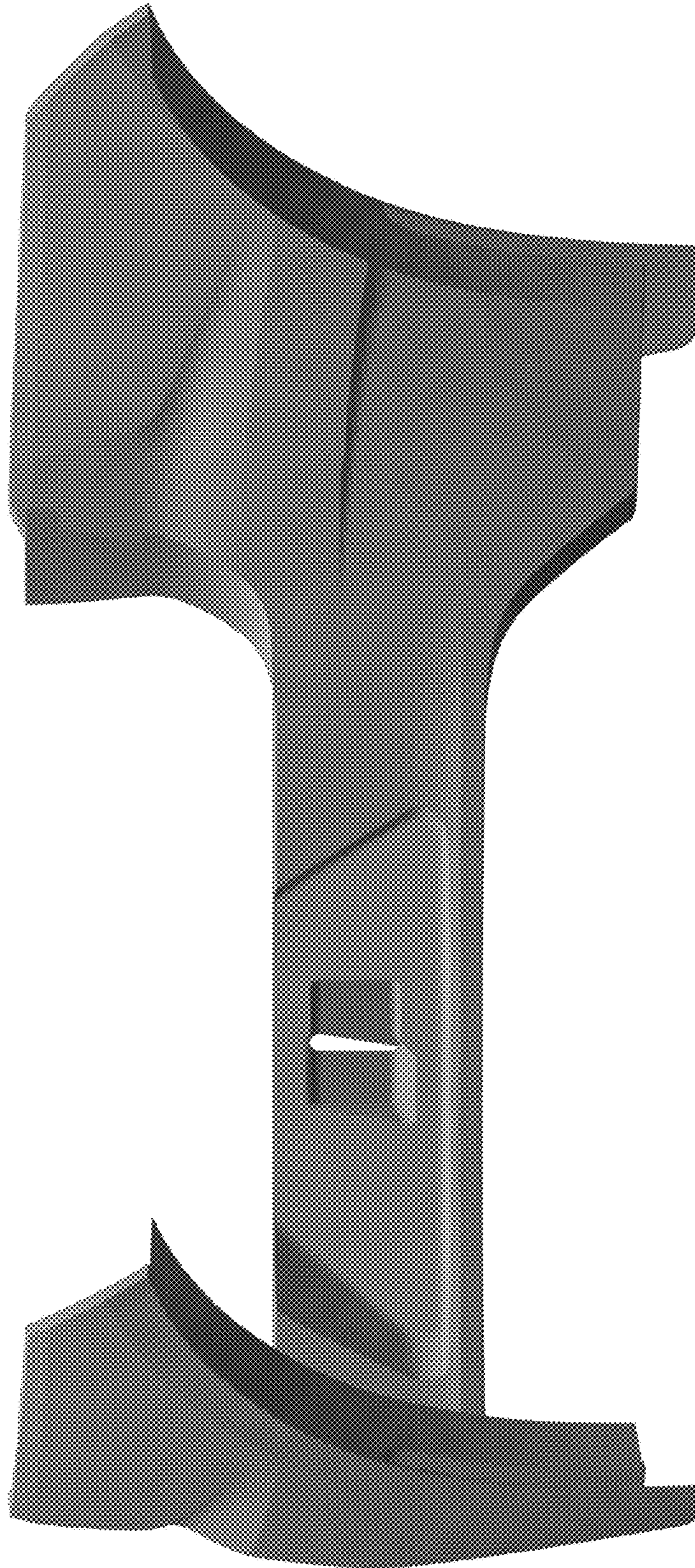


FIG. 4

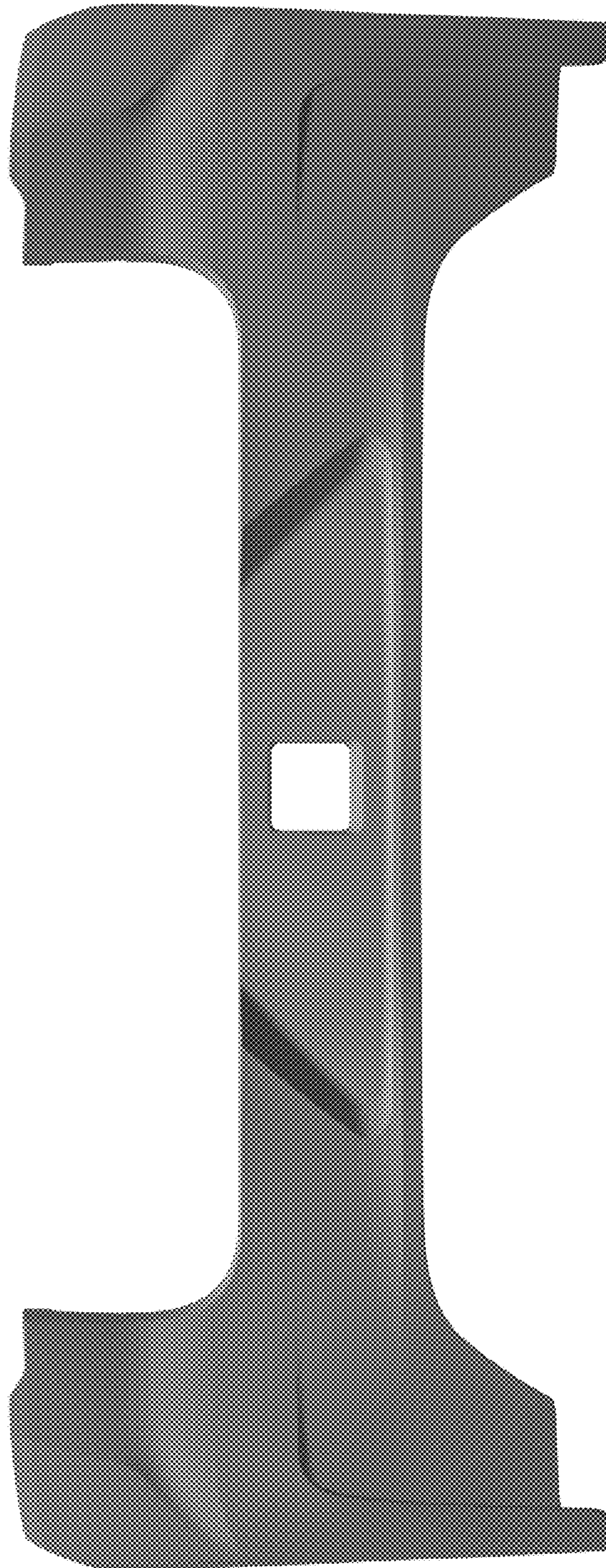


FIG. 5

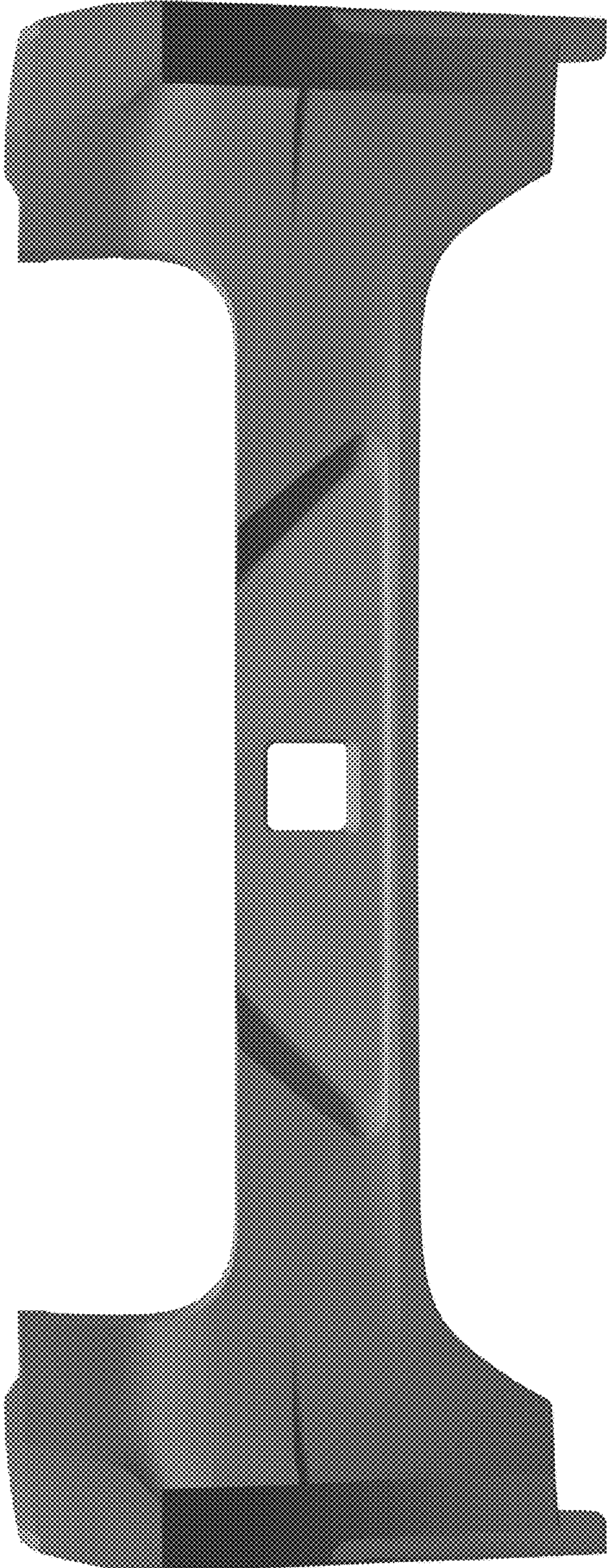


FIG. 6

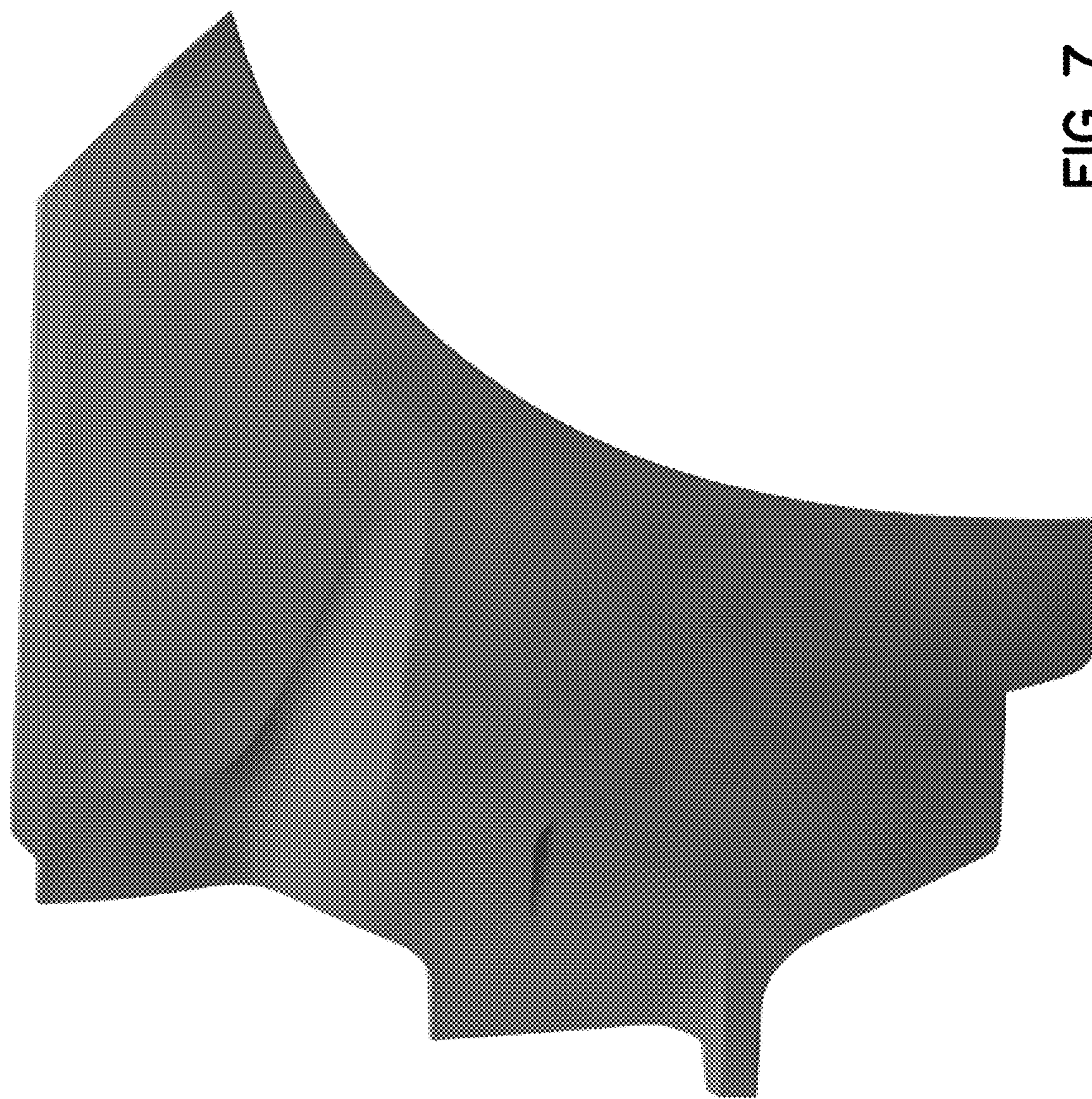


FIG. 7

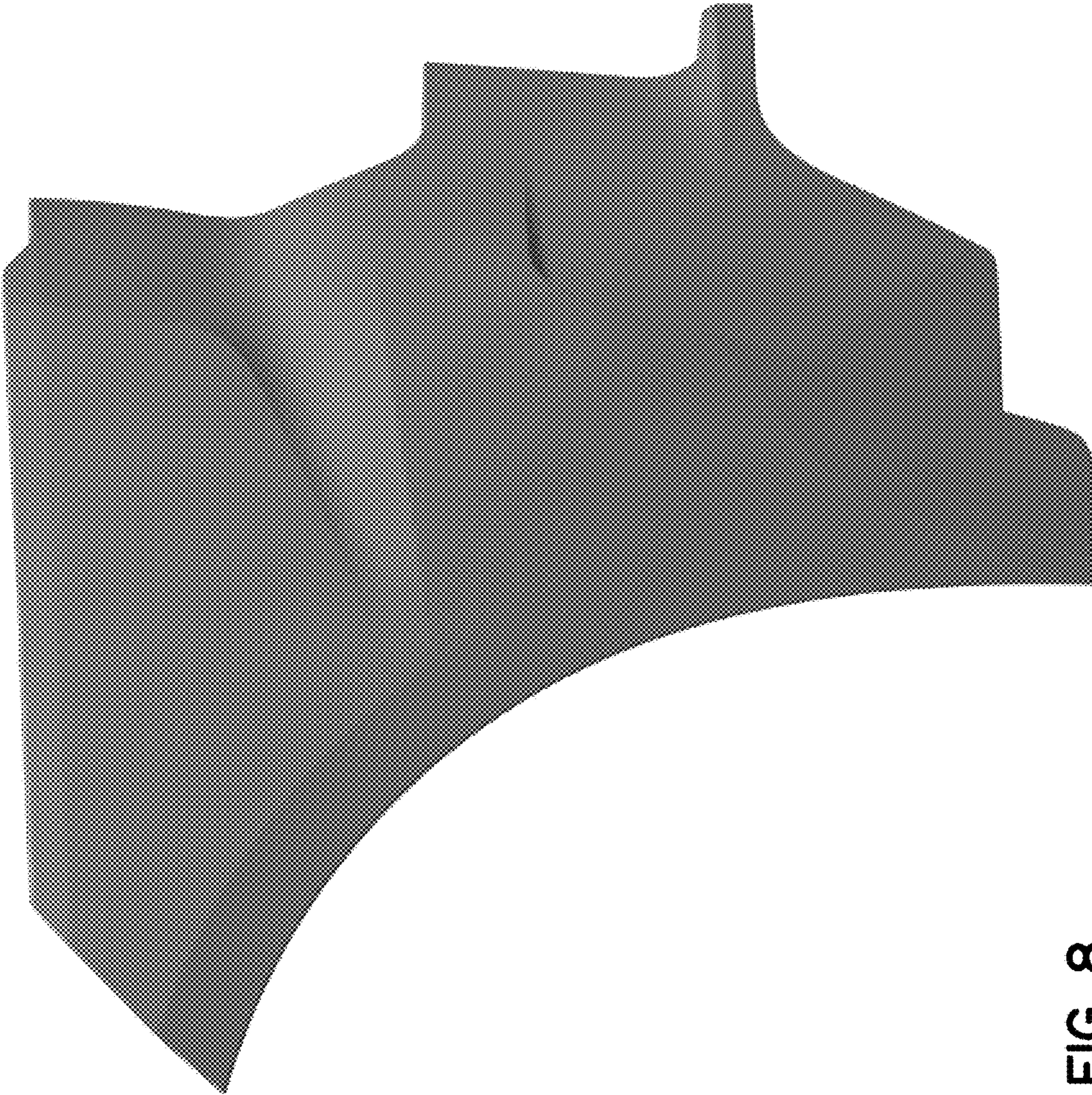


FIG. 8

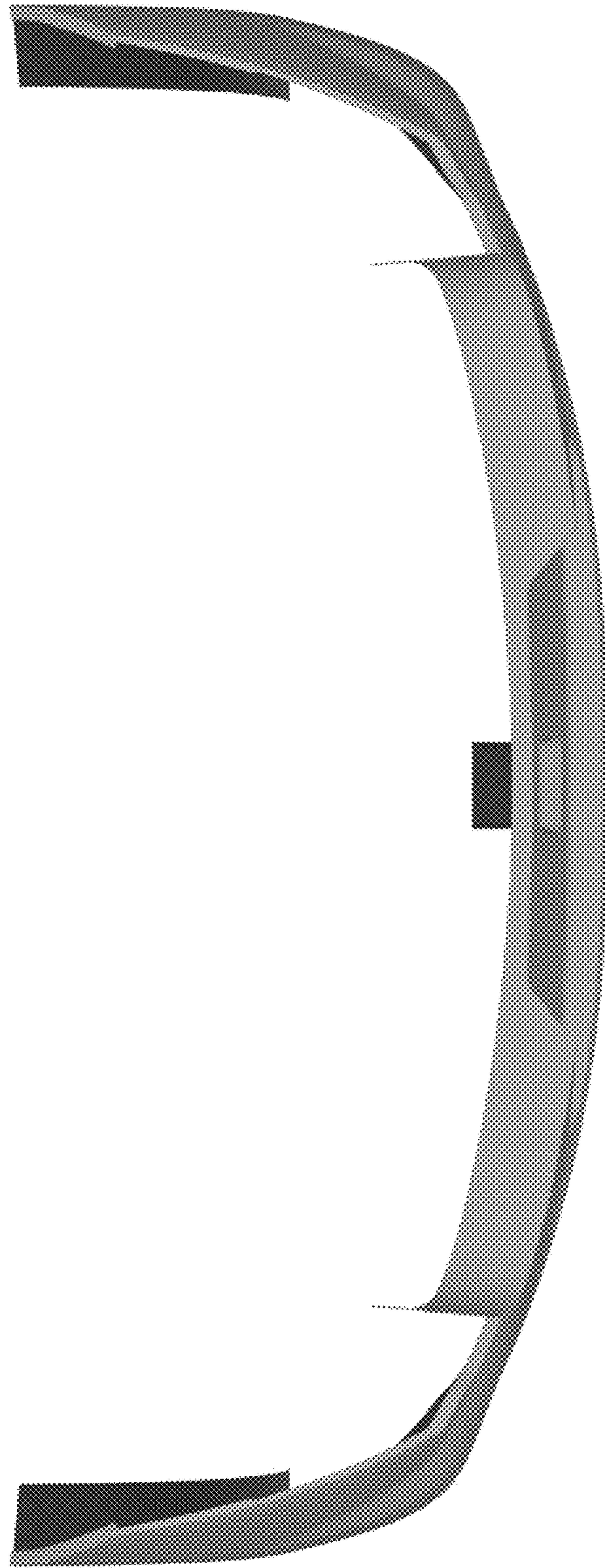


FIG. 9

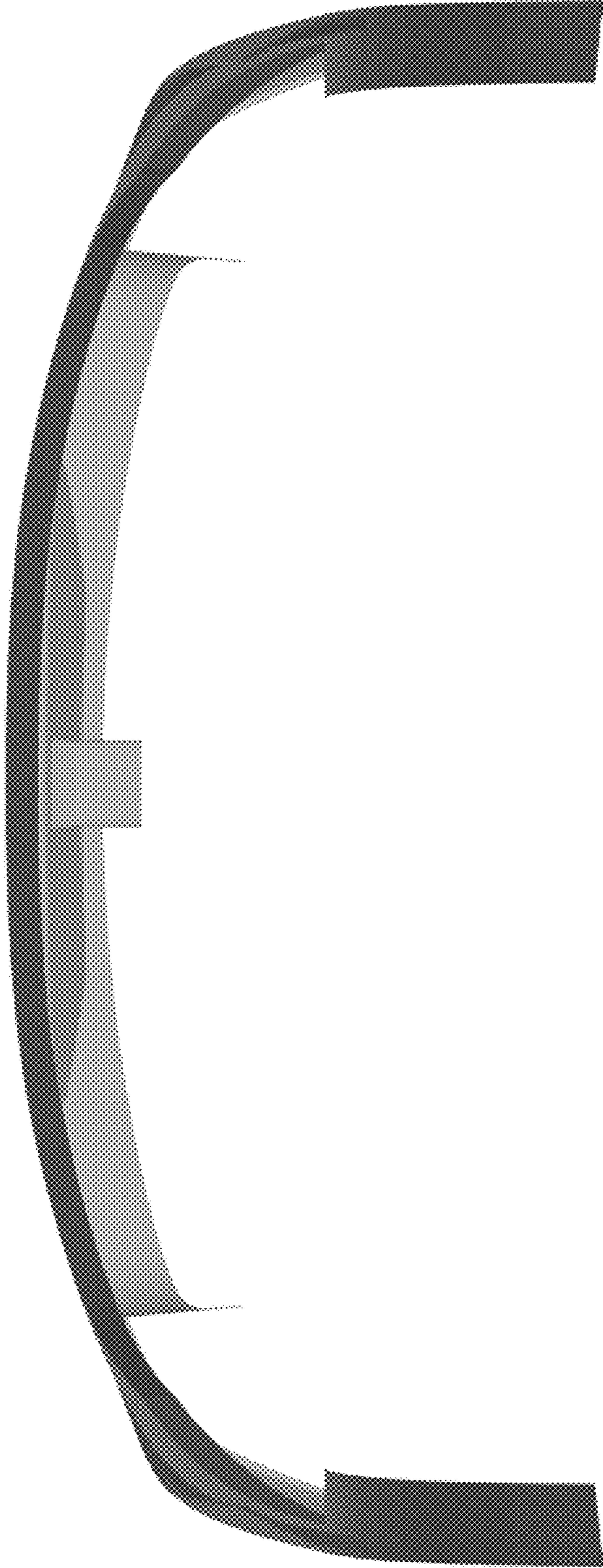


FIG. 10

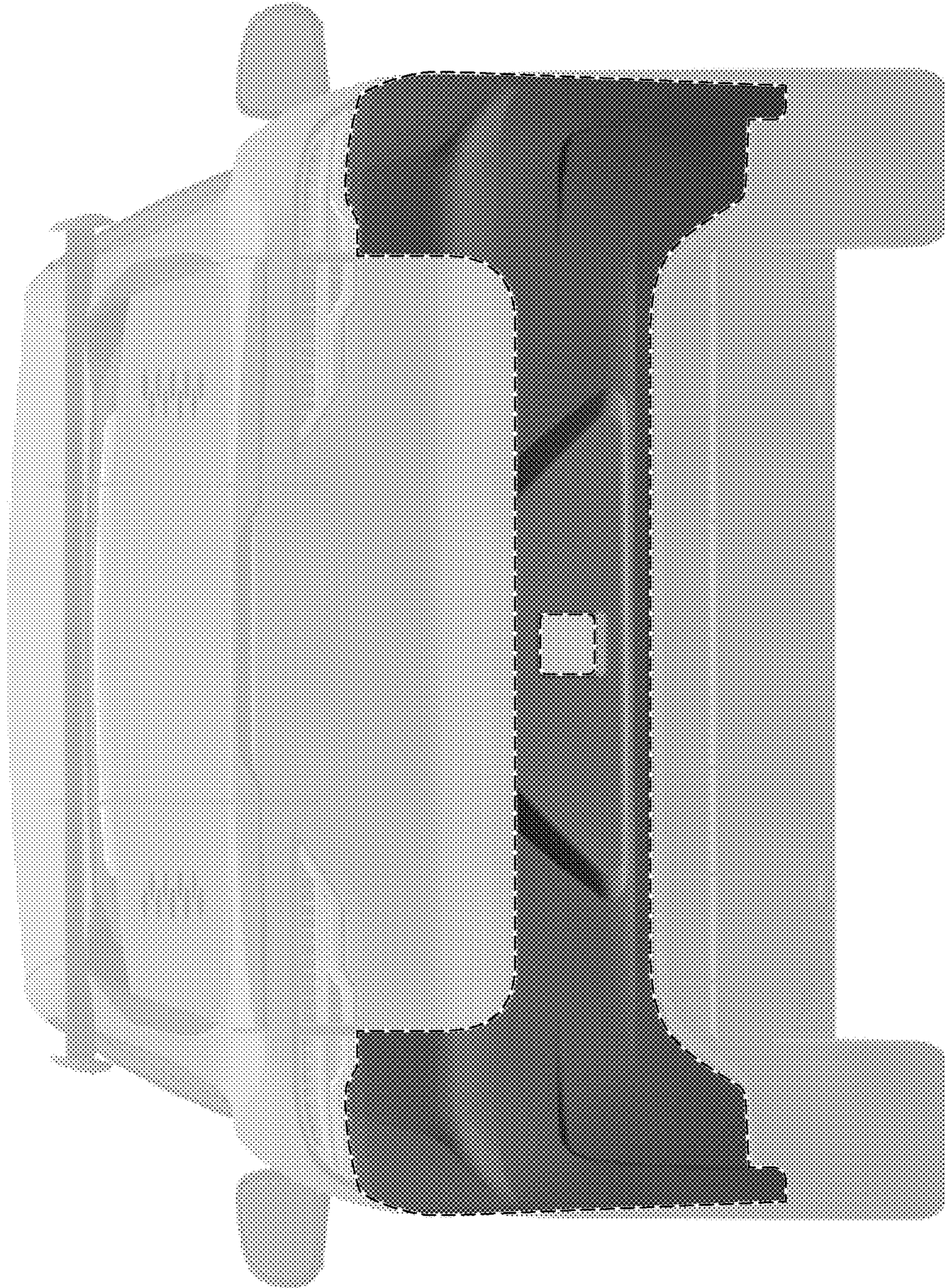


FIG. 11