



US00D856210S

(12) **United States Design Patent** (10) **Patent No.:** **US D856,210 S**  
**De Bono** (45) **Date of Patent:** **\*\* Aug. 13, 2019**

(54) **REAR BUMPER FOR A VEHICLE**

D824,298 S \* 7/2018 Cartabiano ..... D12/169  
D824,301 S \* 7/2018 Lim ..... D12/169  
D840,883 S \* 2/2019 Cartabiano ..... D12/169

(71) Applicant: **Bayerische Motoren Werke Aktiengesellschaft, Munich (DE)**

**FOREIGN PATENT DOCUMENTS**

(72) Inventor: **Michael Theodore De Bono, Munich (DE)**

EM 002250027-0006 3/2014  
WO WO DM/082796 8/2014  
WO WO DM/084038 1/2015  
WO WO DM/084986 5/2015  
WO WO DM/094978 8/2017  
WO WO DM/099883 2/2018

(73) Assignee: **Bayerische Motoren Werke Aktiengesellschaft, Munich (DE)**

(\*\*) Term: **15 Years**

\* cited by examiner

(21) Appl. No.: **29/637,231**

*Primary Examiner* — Melody N Brown

(22) Filed: **Feb. 15, 2018**

(74) *Attorney, Agent, or Firm* — Crowell & Moring LLP

(30) **Foreign Application Priority Data**

(57) **CLAIM**

Aug. 24, 2017 (DE) ..... 40 2017 100 943

The ornamental design for a rear bumper for a vehicle, as shown and described.

(51) **LOC (12) Cl.** ..... **12-16**

**DESCRIPTION**

(52) **U.S. Cl.**

USPC ..... **D12/169**

(58) **Field of Classification Search**

USPC .... D12/169, 216, 90-92, 86, 171, 196, 163, D12/164; 293/102, 113, 115, 117, 120; 296/180.1, 180.2

CPC ..... B60R 19/02; B60R 19/04; B62D 25/08  
See application file for complete search history.

This application contains subject matter related to the following co-pending U.S. design patent applications:

Application Ser. No. 29/594,696, filed Feb. 22, 2017 and entitled "Rear Bumper for a Vehicle"; and  
Application Ser. No. 29/637,230, filed herewith and entitled "Rear Bumper for a Vehicle".

FIG. 1 is a front view of a rear bumper for a vehicle according to the design;

FIG. 2 is a left, front perspective view thereof;

FIG. 3 is a right, front perspective view thereof;

FIG. 4 is a left side view thereof;

FIG. 5 is a right side view thereof;

FIG. 6 is a top view thereof;

FIG. 7 is a bottom view thereof; and,

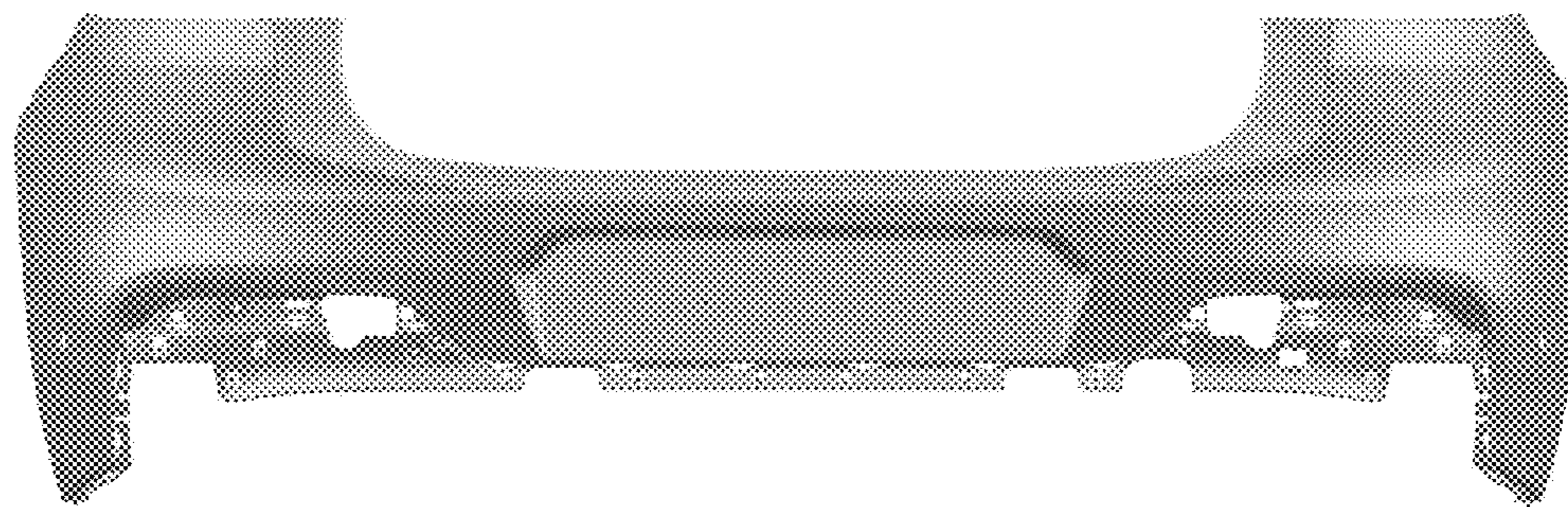
FIG. 8 is a rear view thereof.

(56) **References Cited**

**U.S. PATENT DOCUMENTS**

D712,800 S 9/2014 Kang  
D813,110 S \* 3/2018 Whitla ..... D12/169  
D813,114 S \* 3/2018 Zurian ..... D12/169  
D813,115 S \* 3/2018 Holstein ..... D12/169  
D813,753 S \* 3/2018 Loeb ..... D12/169  
D819,525 S \* 6/2018 Behmer ..... D12/169

**1 Claim, 8 Drawing Sheets**



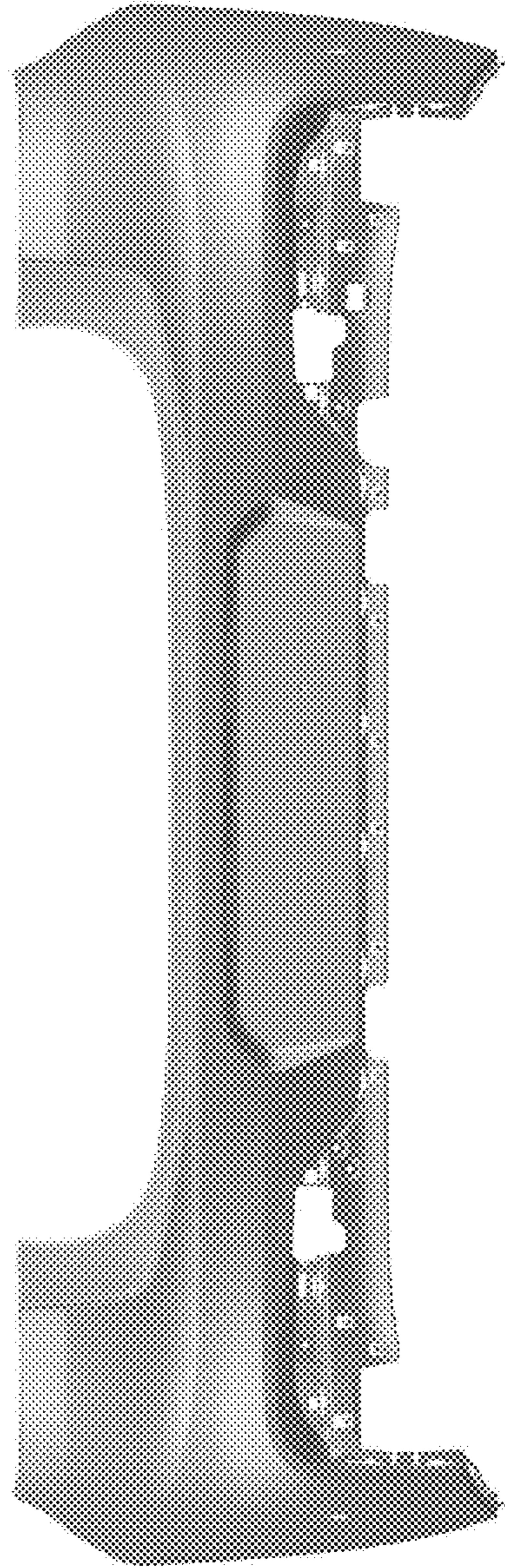


Fig. 1



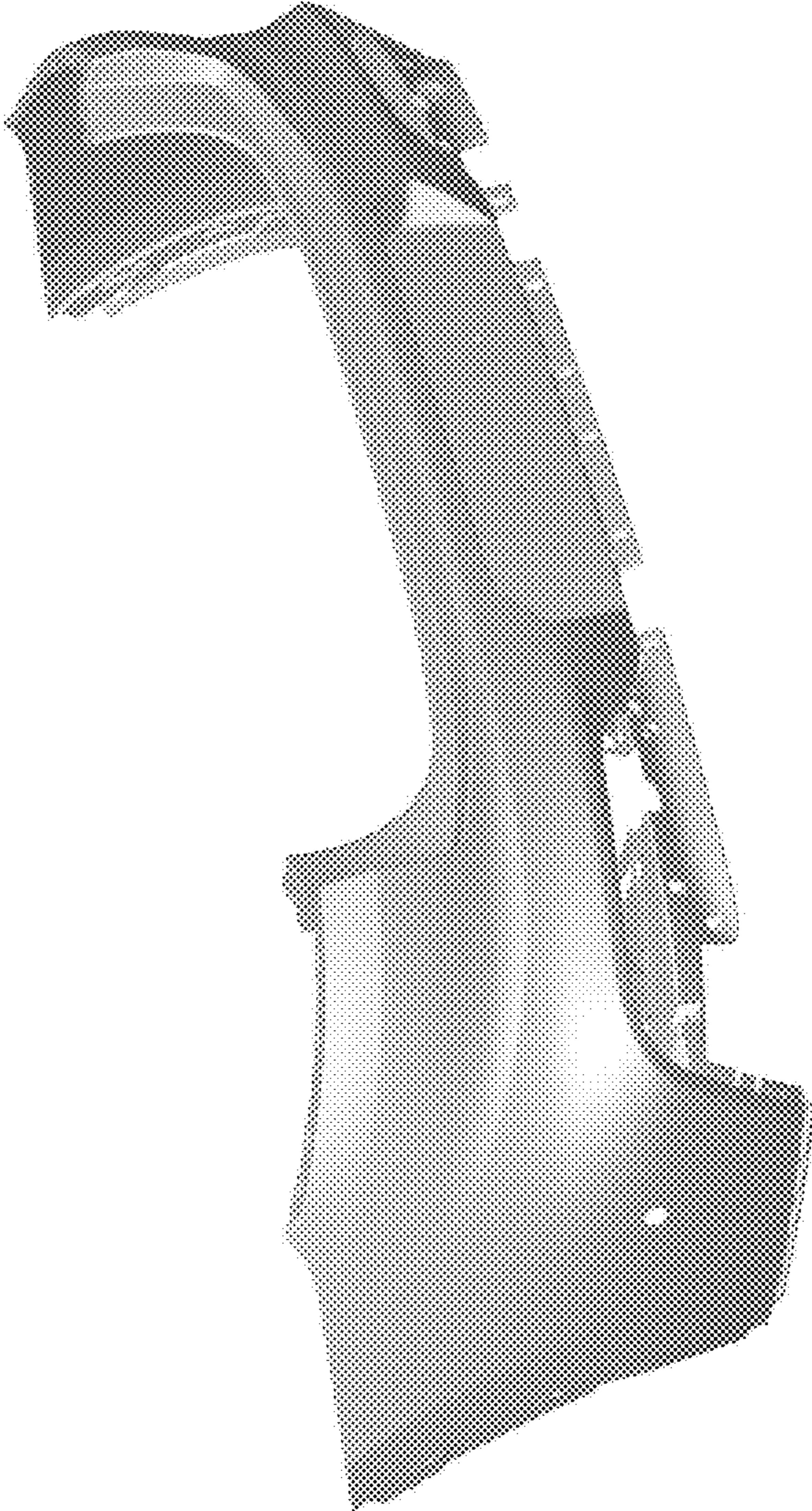


Fig. 2

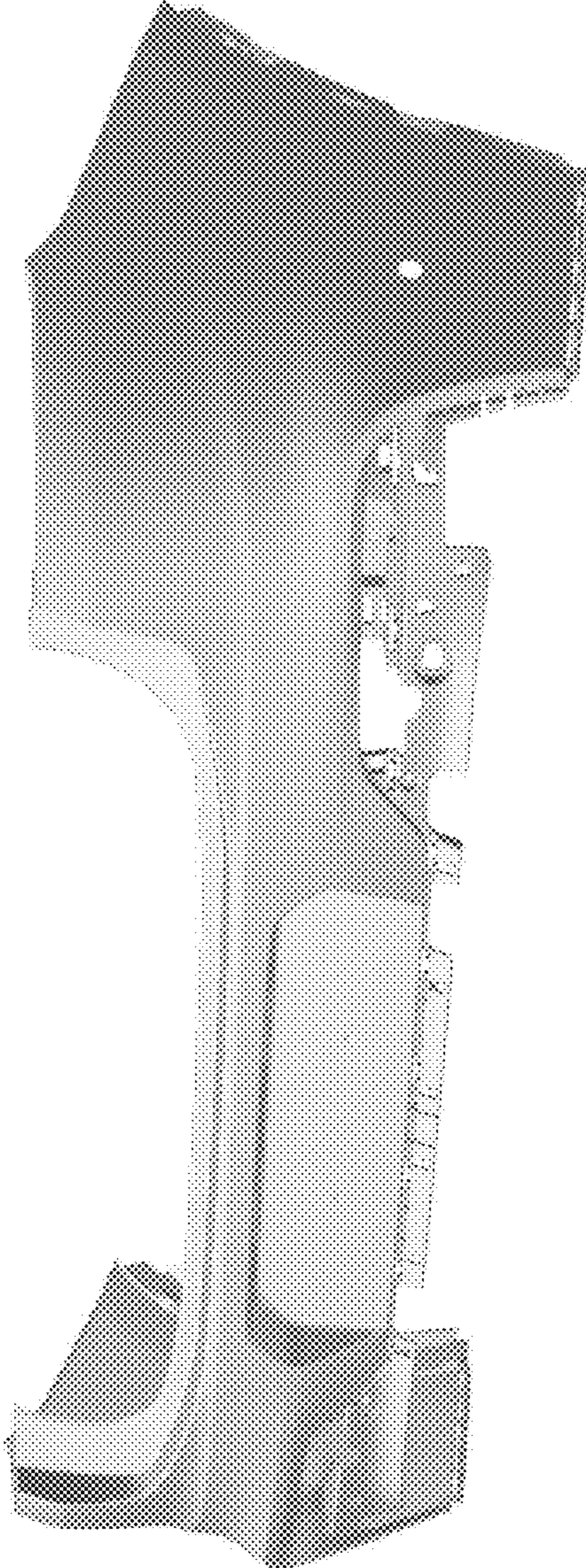


Fig. 3

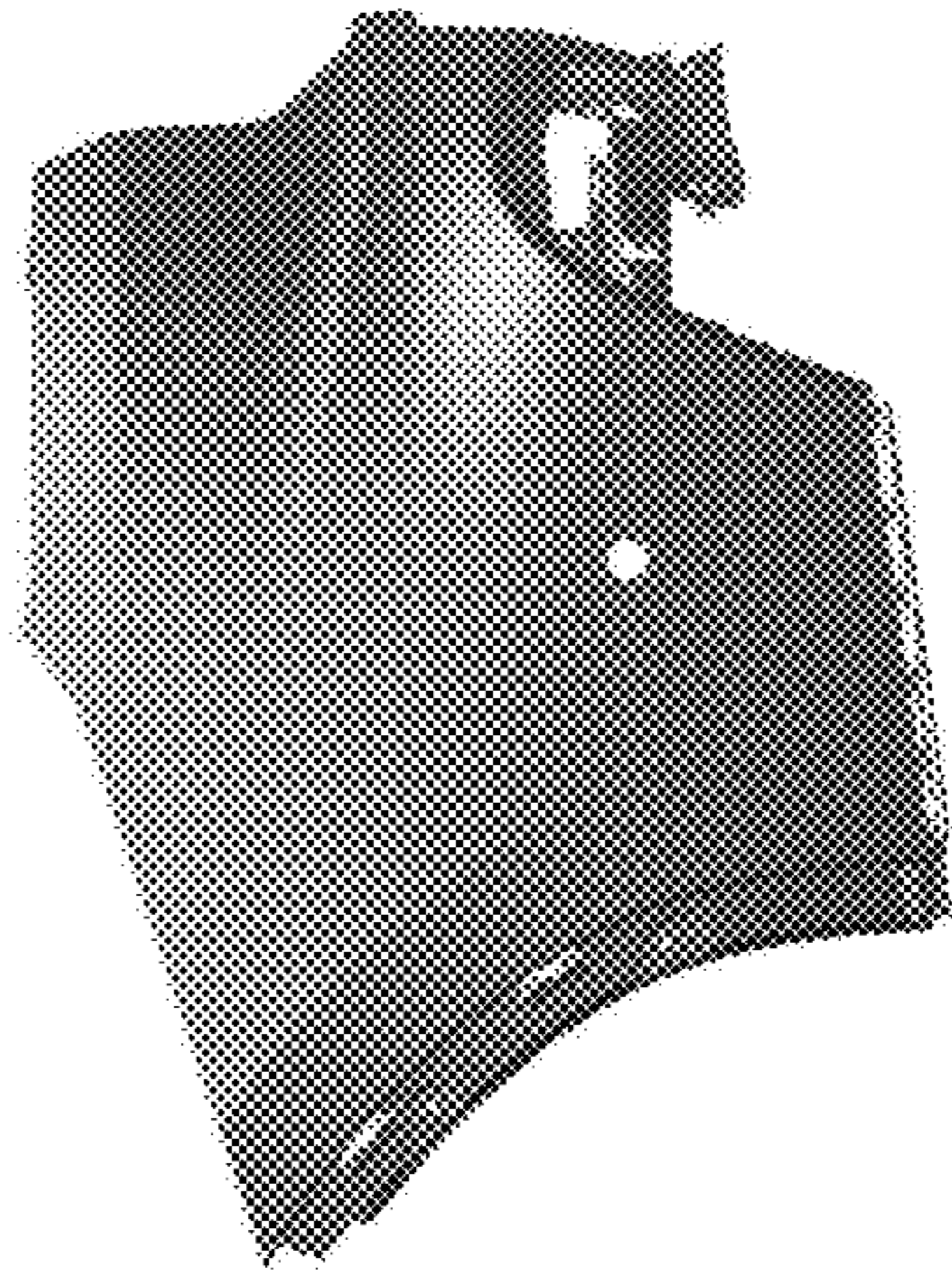


Fig. 4

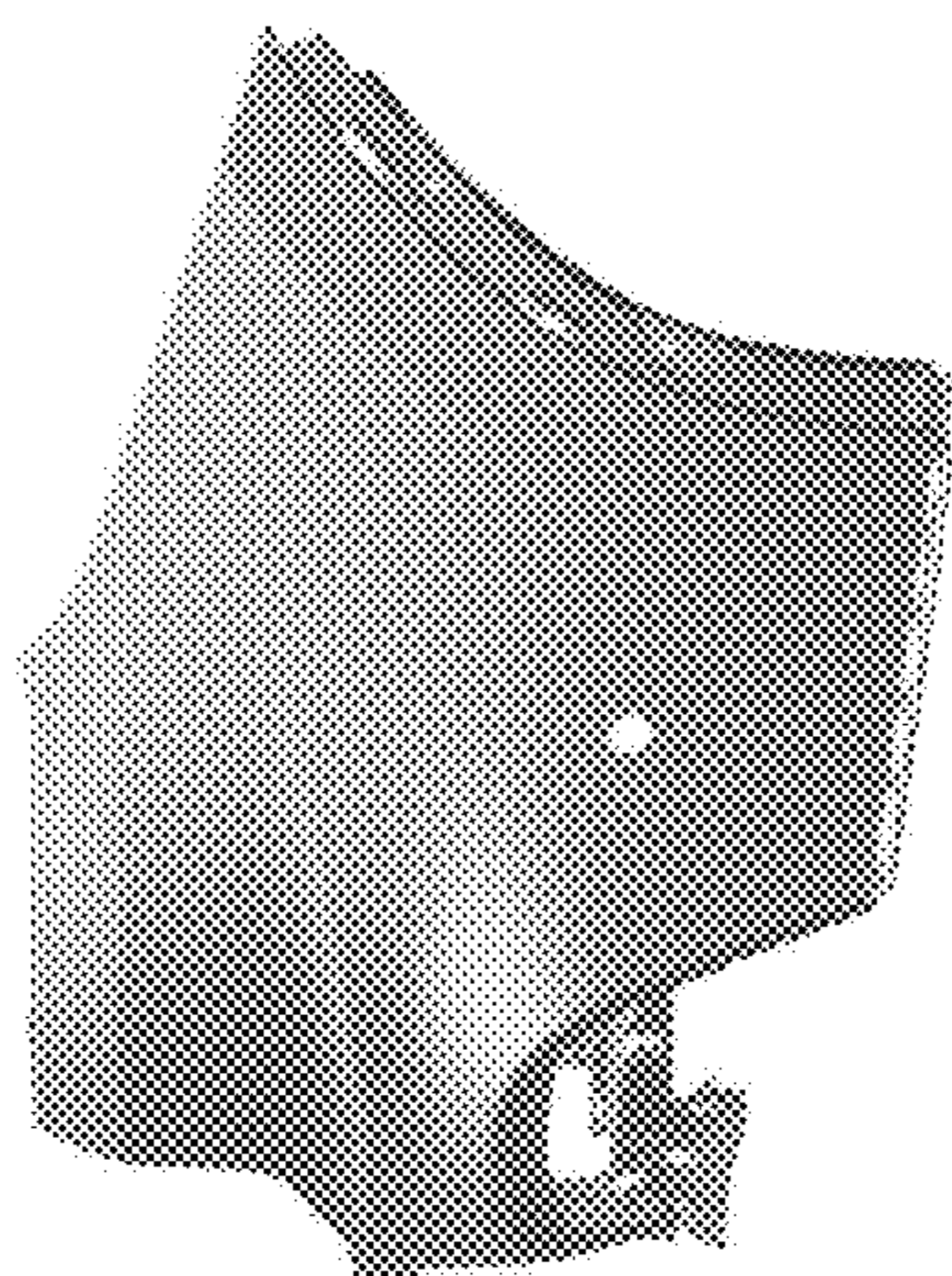


Fig. 5



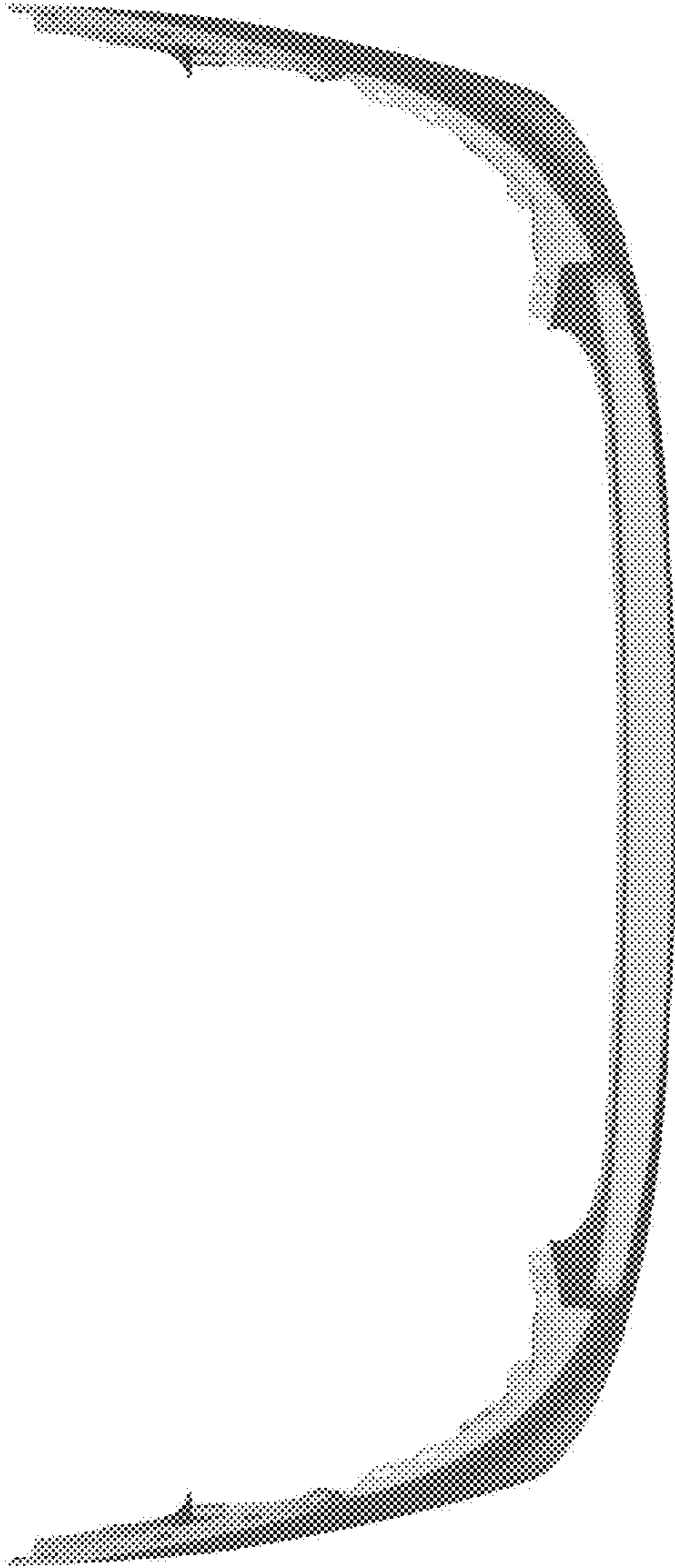


Fig. 6

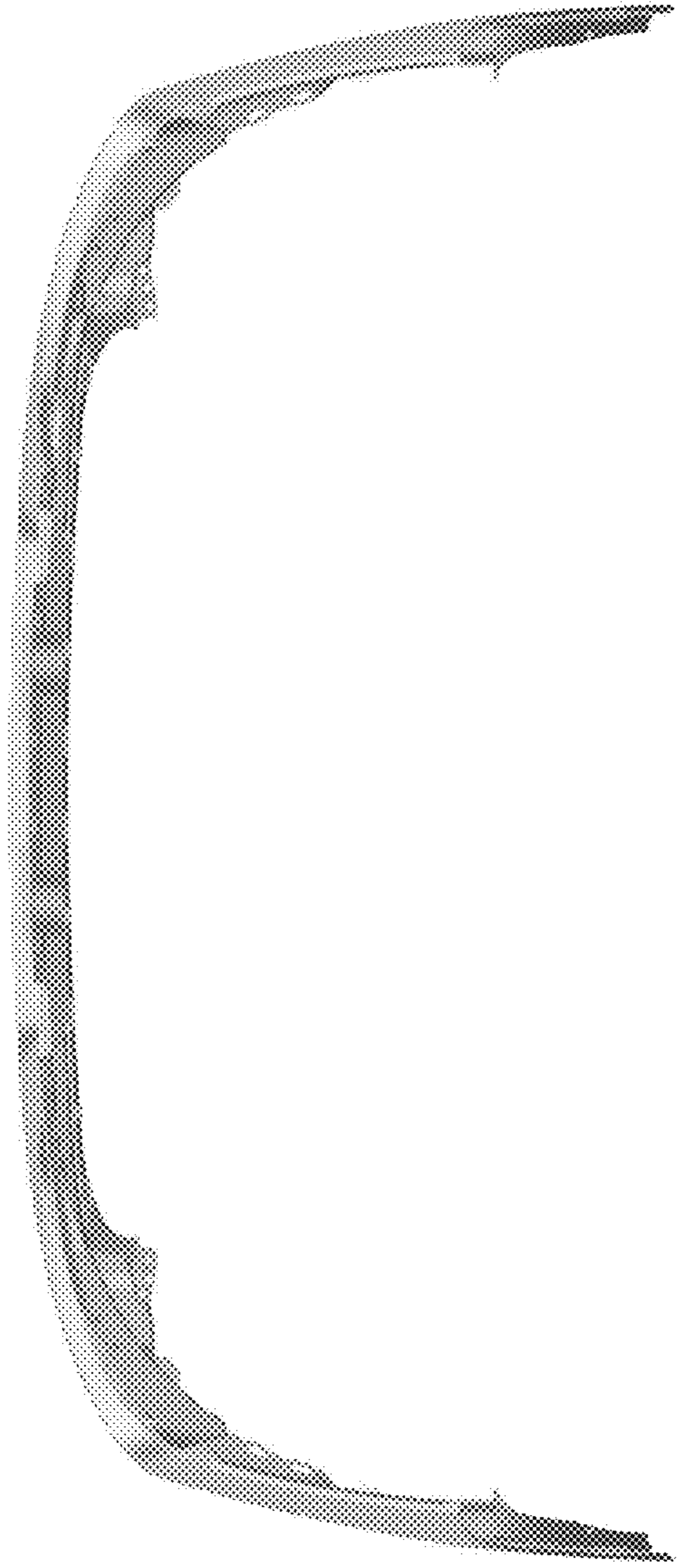


Fig. 7



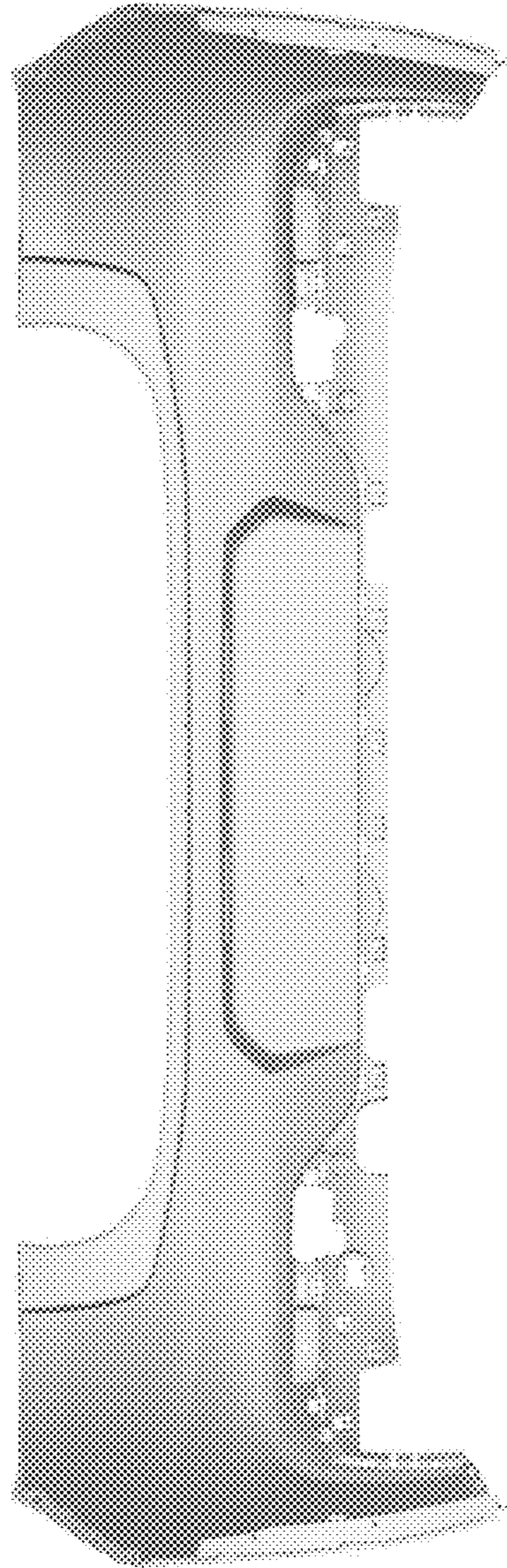


Fig. 8