



US00D856209S

(12) **United States Design Patent** (10) **Patent No.:** **US D856,209 S**
Dewitt et al. (45) **Date of Patent:** **** Aug. 13, 2019**

(54) **VEHICLE FRONT UPPER BUMPER COVER**

(71) Applicant: **Ford Global Technologies, LLC**,
Dearborn, MI (US)

(72) Inventors: **David Dewitt**, Docklands (AU); **Todd Willing**, East Melbourne (AU); **Max Wolff**, Birmingham, MI (US); **Mark Wright**, Nunawading (AU)

(73) Assignee: **Ford Global Technologies, LLC**,
Dearborn, MI (US)

(**) Term: **15 Years**

(21) Appl. No.: **29/635,023**

(22) Filed: **Jan. 26, 2018**

(51) **LOC (12) Cl.** **12-16**

(52) **U.S. Cl.**
USPC **D12/169**

(58) **Field of Classification Search**
USPC D12/169, 196, 86, 90-92, 163, 190, 98,
D12/164; 293/102, 113, 115, 117, 120,
293/193.11; 296/180.1, 180.2; 180/68.1,
180/68.6
CPC B60R 19/52; B60K 11/08; B62D 25/08;
B62B 9/16

See application file for complete search history.

(56) **References Cited**

U.S. PATENT DOCUMENTS

D696,168 S	*	12/2013	Ito	D12/169
D698,712 S	*	2/2014	Sato	D12/169
D699,167 S	*	2/2014	Sato	D12/169
D705,139 S	*	5/2014	Jevremovic	D12/169
D718,678 S	*	12/2014	Ishizuka	D12/169
D718,680 S	*	12/2014	Galante	D12/169
D721,306 S	*	1/2015	George	D12/169
D721,625 S	*	1/2015	George	D12/169
D725,009 S	*	3/2015	Hirai	D12/169

D725,010 S	*	3/2015	Takei	D12/169
D733,624 S	*	7/2015	Morikawa	D12/169
D735,097 S	*	7/2015	Nissl	D12/169
D740,186 S	*	10/2015	Gunnarson	D12/169
D749,473 S	*	2/2016	Lee	D12/169
D763,746 S	*	8/2016	Tsutamori	D12/169
D765,567 S	*	9/2016	De Bono	D12/169
D771,535 S	*	11/2016	Wolff	D12/169
D784,868 S	*	4/2017	Yamamoto	D12/169
D807,248 S	*	1/2018	Piscitelli	D12/169
D807,256 S	*	1/2018	Piscitelli	D12/169
D817,235 S	*	5/2018	Bucher	D12/169

(Continued)

Primary Examiner — Melody N Brown

(74) *Attorney, Agent, or Firm* — Vichit Chea

(57) **CLAIM**

The ornamental design for a vehicle front upper bumper cover, as shown and described.

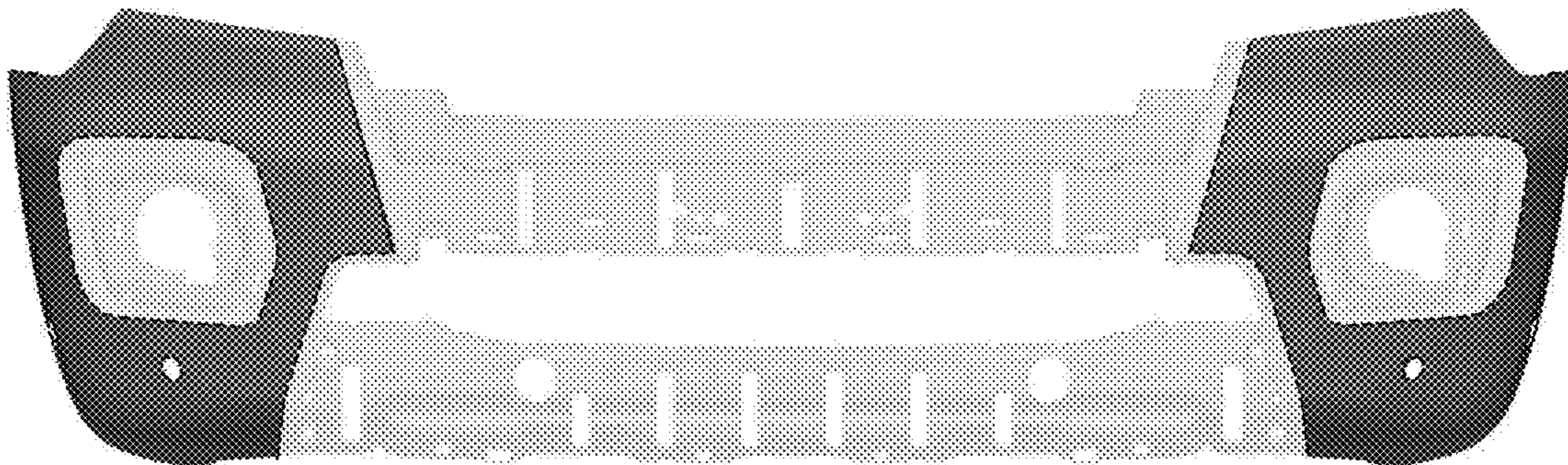
DESCRIPTION

FIG. 1 is a front elevational view of a vehicle front upper bumper cover, showing our new design;
FIG. 2 is a left side elevational view thereof;
FIG. 3 is a right side elevational view thereof;
FIG. 4 is a top plan view thereof;
FIG. 5 is a bottom plan view thereof;
FIG. 6 is a top, front, and left side perspective view thereof;
and,
FIG. 7 is a bottom, front, and left side perspective view thereof.

Any broken lines represent boundaries of the design; the line itself and the area within, or outside the boundary form no part of the claim.

The portions of the bumper cover shown throughout the drawing views in de-emphasized and half-tone portions outside the broken lines and the broken lines representing the boundary and configuration of what is claimed as the design are for environmental and illustrative purposes only and form no part of the claimed design.

1 Claim, 7 Drawing Sheets



(56)

References Cited

U.S. PATENT DOCUMENTS

D819,520 S	*	6/2018	Platto	D12/169
D835,549 S	*	12/2018	Tamura	D12/169
D839,153 S	*	1/2019	Wada	D12/169
D839,800 S	*	2/2019	Dewitt	D12/169
D840,299 S	*	2/2019	Dewitt	D12/169

* cited by examiner

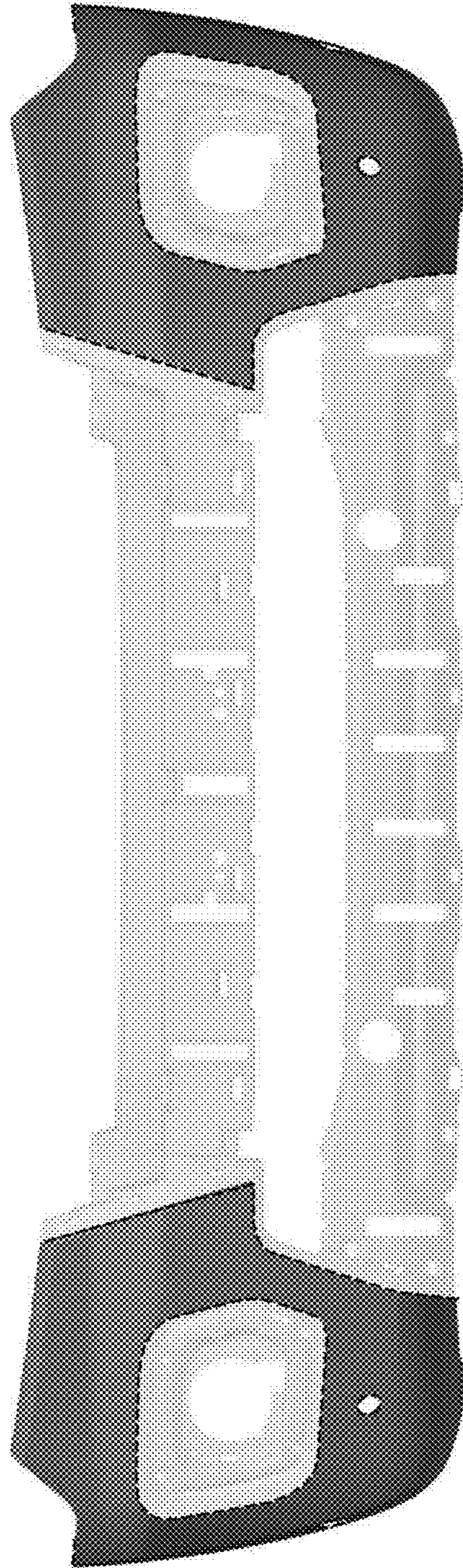


Fig. 1

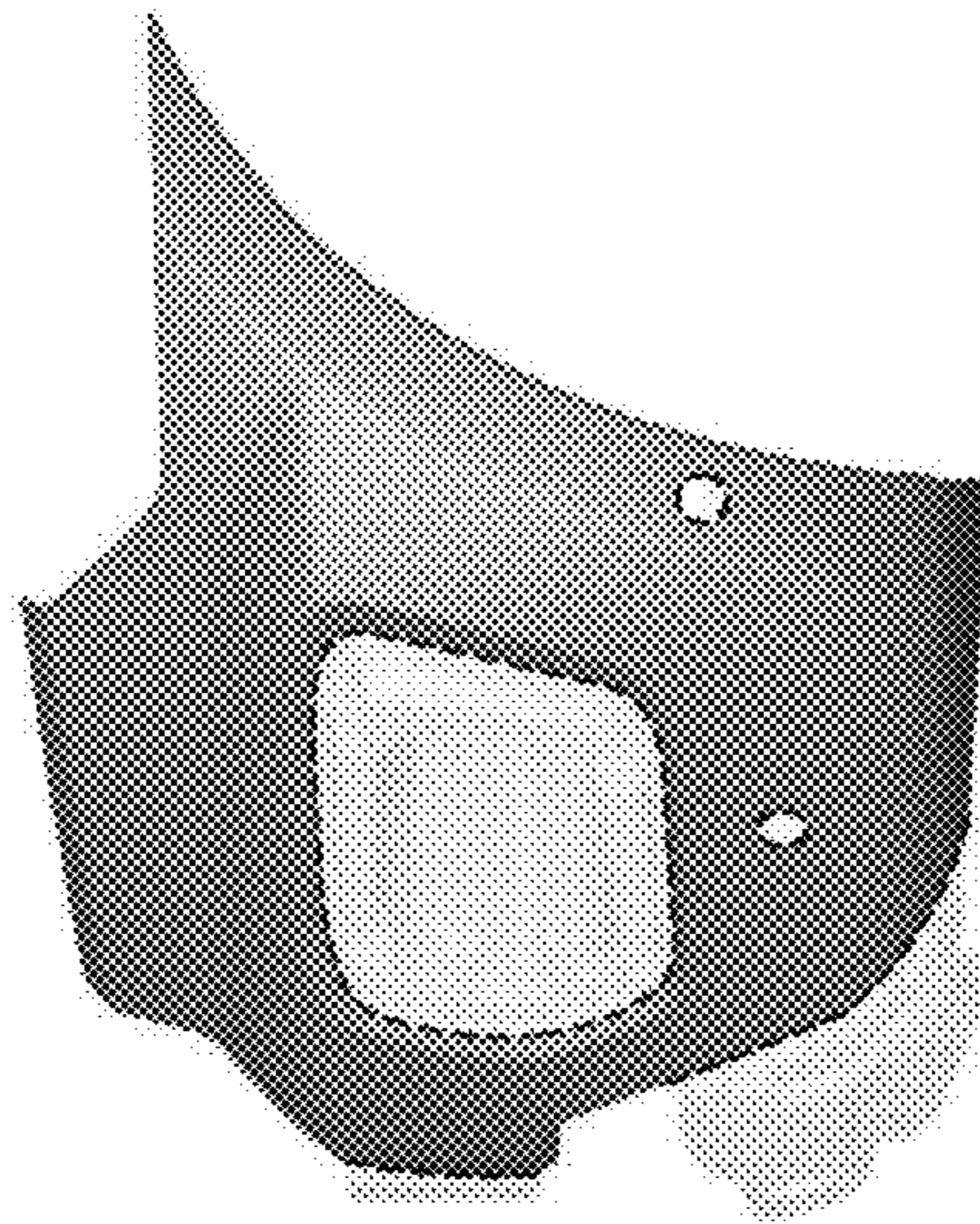


Fig. 2

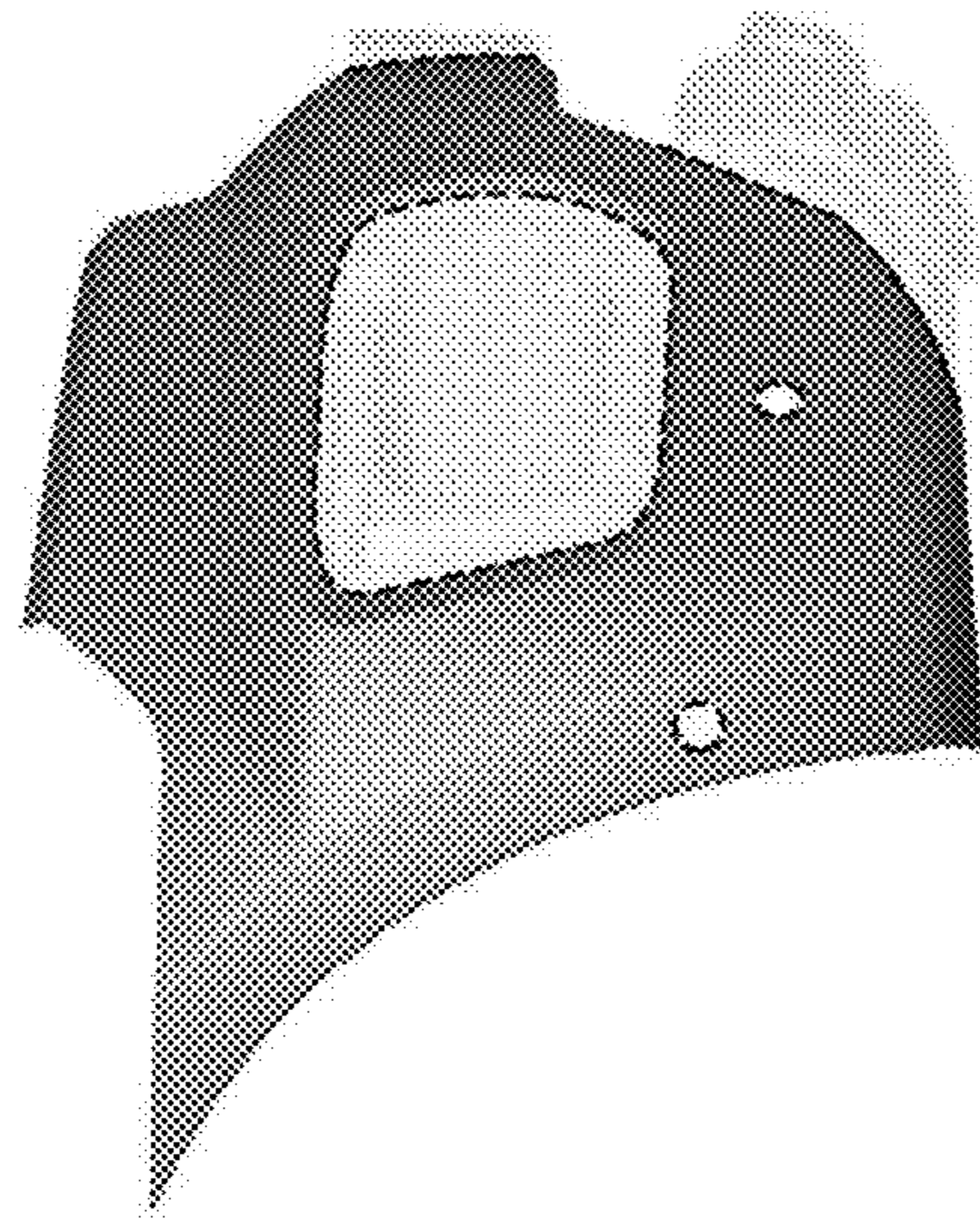


Fig. 3

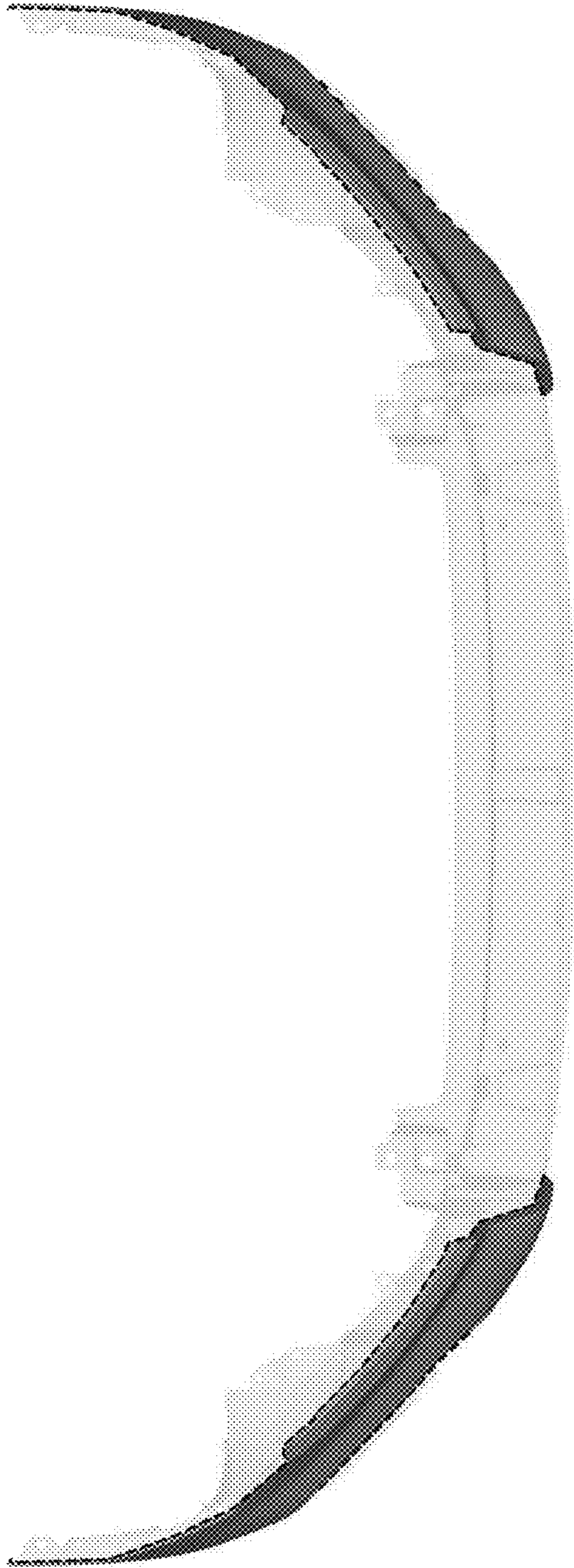


Fig. 4

Fig. 5

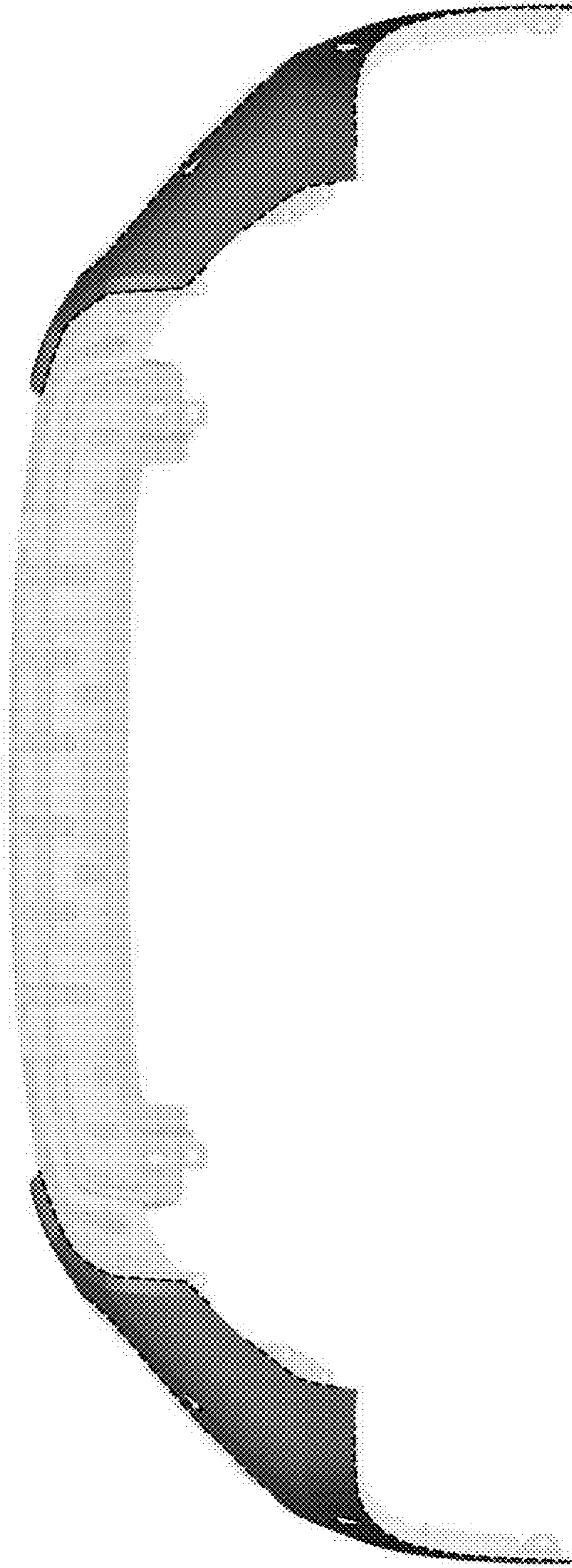




Fig. 6

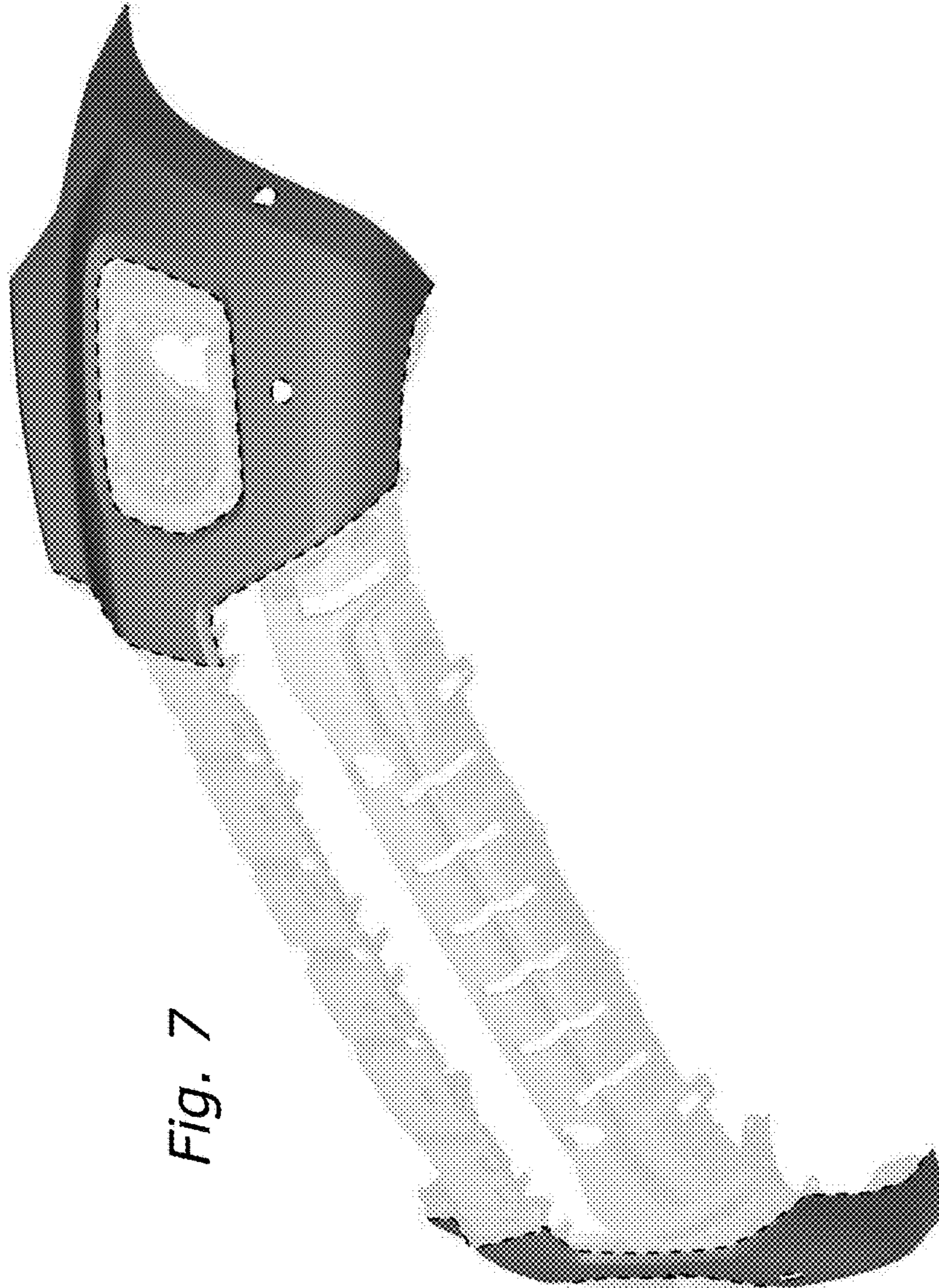


Fig. 7