



US00D856207S

(12) **United States Design Patent** (10) **Patent No.:** **US D856,207 S**
Luk (45) **Date of Patent:** **** Aug. 13, 2019**

(54) **REAR BUMPER FOR A VEHICLE**
(71) Applicant: **Bayerische Motoren Werke Aktiengesellschaft, Munich (DE)**
(72) Inventor: **Calvin Luk, Munich (DE)**
(73) Assignee: **Bayerische Motoren Werke Aktiengesellschaft, Munich (DE)**

D692,808 S * 11/2013 Morioka D12/169
D695,168 S * 12/2013 Kawasaki D12/169
D705,140 S * 5/2014 Kawasaki D12/169
D712,805 S * 9/2014 Murkett D12/169
D713,766 S * 9/2014 Katou D12/169
D721,306 S * 1/2015 George D12/169
D721,625 S * 1/2015 George D12/169

(Continued)

(**) Term: **15 Years**
(21) Appl. No.: **29/631,780**
(22) Filed: **Jan. 3, 2018**

FOREIGN PATENT DOCUMENTS

WO WO DM/066845 8/2005
WO WO DM/080113 8/2013

(Continued)

Primary Examiner — Melody N Brown
(74) *Attorney, Agent, or Firm* — Crowell & Moring LLP

(30) **Foreign Application Priority Data**

Jul. 11, 2017 (DE) 40 2017 100 810

(51) **LOC (12) Cl.** **12-16**
(52) **U.S. Cl.**
USPC **D12/169**

(58) **Field of Classification Search**
USPC D12/169, 216, 90-92, 86, 171, 196, 163,
D12/164; 293/102, 113, 115, 117, 120;
296/180.1, 180.2
CPC B60R 19/02; B60R 19/04; B62D 25/08
See application file for complete search history.

(57) **CLAIM**

The ornamental design for a rear bumper for a vehicle, as shown and described.

DESCRIPTION

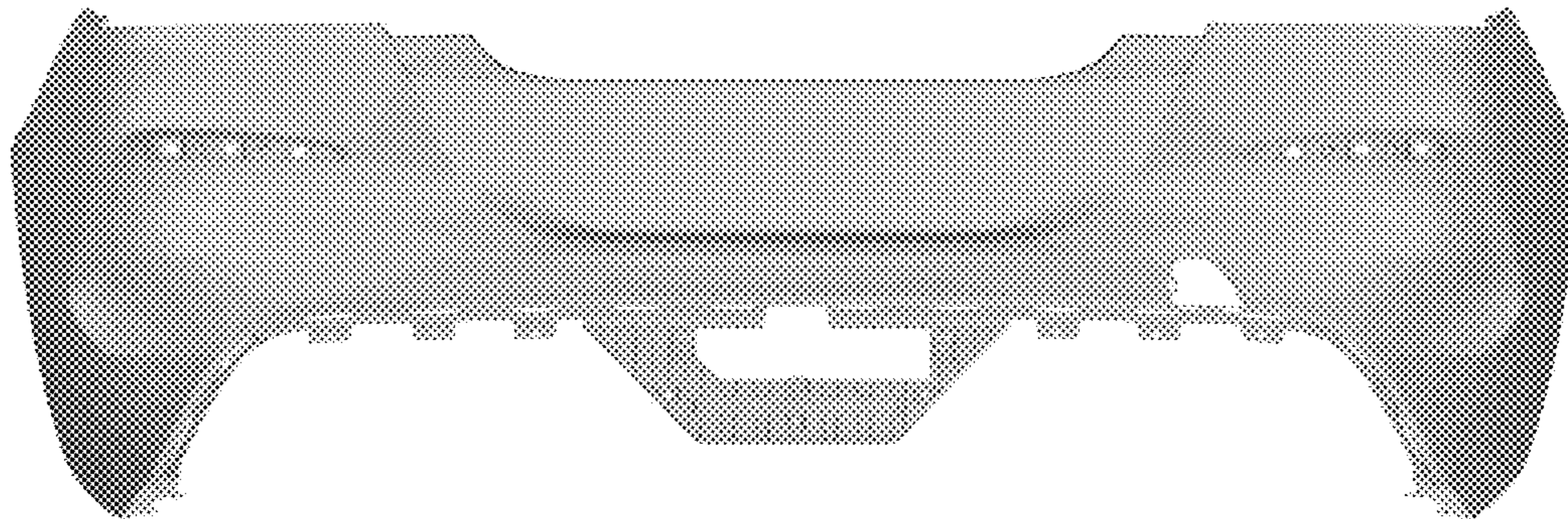
This application contains subject matter related to the following co-pending U.S. design patent applications: Application Ser. No. 29/624,742, filed Nov. 3, 2017 and entitled "Rear Bumper for a Vehicle"; Application Ser. No. 29/631,774, filed herewith and entitled "Vehicle, Toy, and/or Replicas Thereof"; and Application Ser. No. 29/631,783, filed herewith and entitled "Rear Bumper for a Vehicle".
FIG. 1 is a front view of a rear bumper for a vehicle according to the design;
FIG. 2 is a left, front perspective view thereof;
FIG. 3 is a right, front perspective view thereof;
FIG. 4 is a left side view thereof;
FIG. 5 is a right side view thereof;
FIG. 6 is a top view thereof;
FIG. 7 is a bottom view thereof; and,
FIG. 8 is a rear view thereof.

(56) **References Cited**

U.S. PATENT DOCUMENTS

D533,487 S 12/2006 Truebsbach
D559,744 S * 1/2008 Hieke D12/169
D559,746 S * 1/2008 Hieke D12/169
D578,449 S * 10/2008 Jodo D12/169
D580,834 S * 11/2008 Saridakis D12/169
D592,567 S * 5/2009 Saracoglu D12/169
D600,176 S * 9/2009 Yamazaki D12/169
D614,545 S * 4/2010 Ono D12/169
D639,215 S * 6/2011 Faghihzadeh D12/169
D640,613 S * 6/2011 Bauer D12/169
D683,285 S * 5/2013 Yoshida D12/169

1 Claim, 8 Drawing Sheets



(56)

References Cited

U.S. PATENT DOCUMENTS

D725,009	S	*	3/2015	Hirai	D12/169
D725,010	S	*	3/2015	Takei	D12/169
D733,004	S	*	6/2015	Huang	D12/91
D736,125	S	*	8/2015	Kamiura	D12/169
D749,468	S	*	2/2016	Frascella	D12/169
D754,576	S	*	4/2016	Nissl	D12/169
D773,351	S	*	12/2016	Munakata	D12/169
D773,352	S	*	12/2016	Munakata	D12/169
D773,353	S	*	12/2016	Munakata	D12/169
D782,373	S	*	3/2017	Curic	D12/169
D784,864	S	*	4/2017	Patel	D12/169
D786,746	S	*	5/2017	Wheel	D12/169
D789,849	S	*	6/2017	Lee	D12/169
D792,291	S	*	7/2017	Suga	D12/169
D800,034	S	*	10/2017	Kojima	D12/169
D802,500	S	*	11/2017	Han	D12/91
D813,110	S	*	3/2018	Whitla et al.	D12/169
D813,753	S	*	3/2018	Loeb	D12/169

FOREIGN PATENT DOCUMENTS

WO	WO DM/084986	5/2015
WO	WO DM/098427	11/2017

* cited by examiner

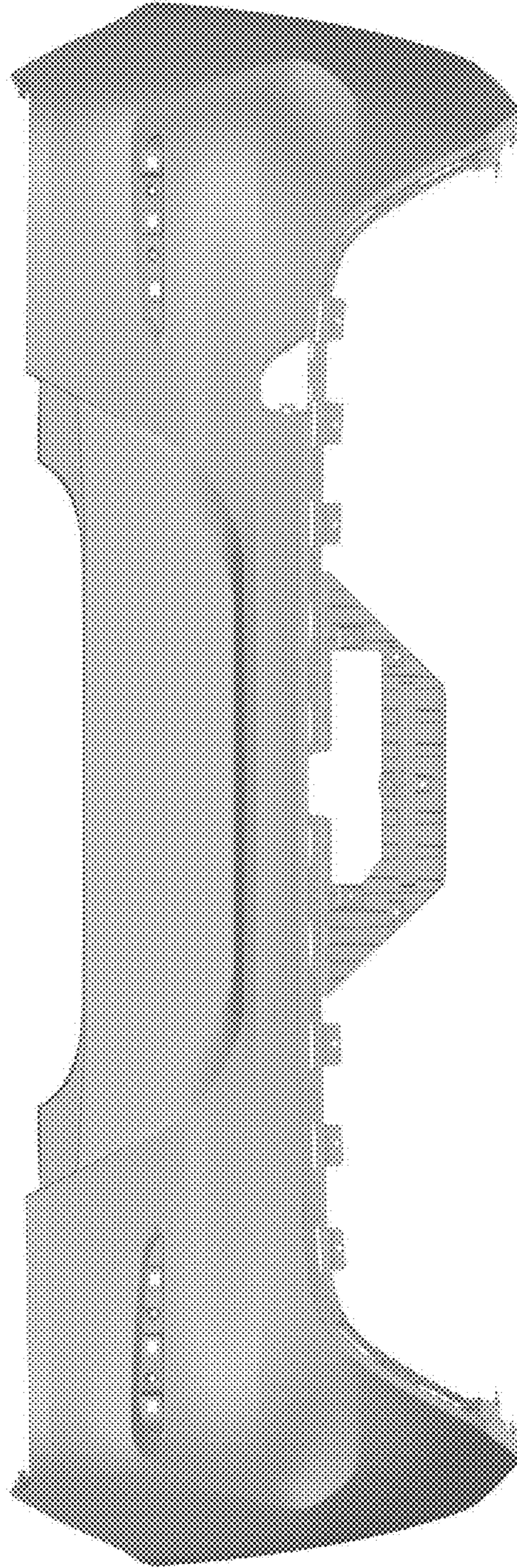


Fig. 1

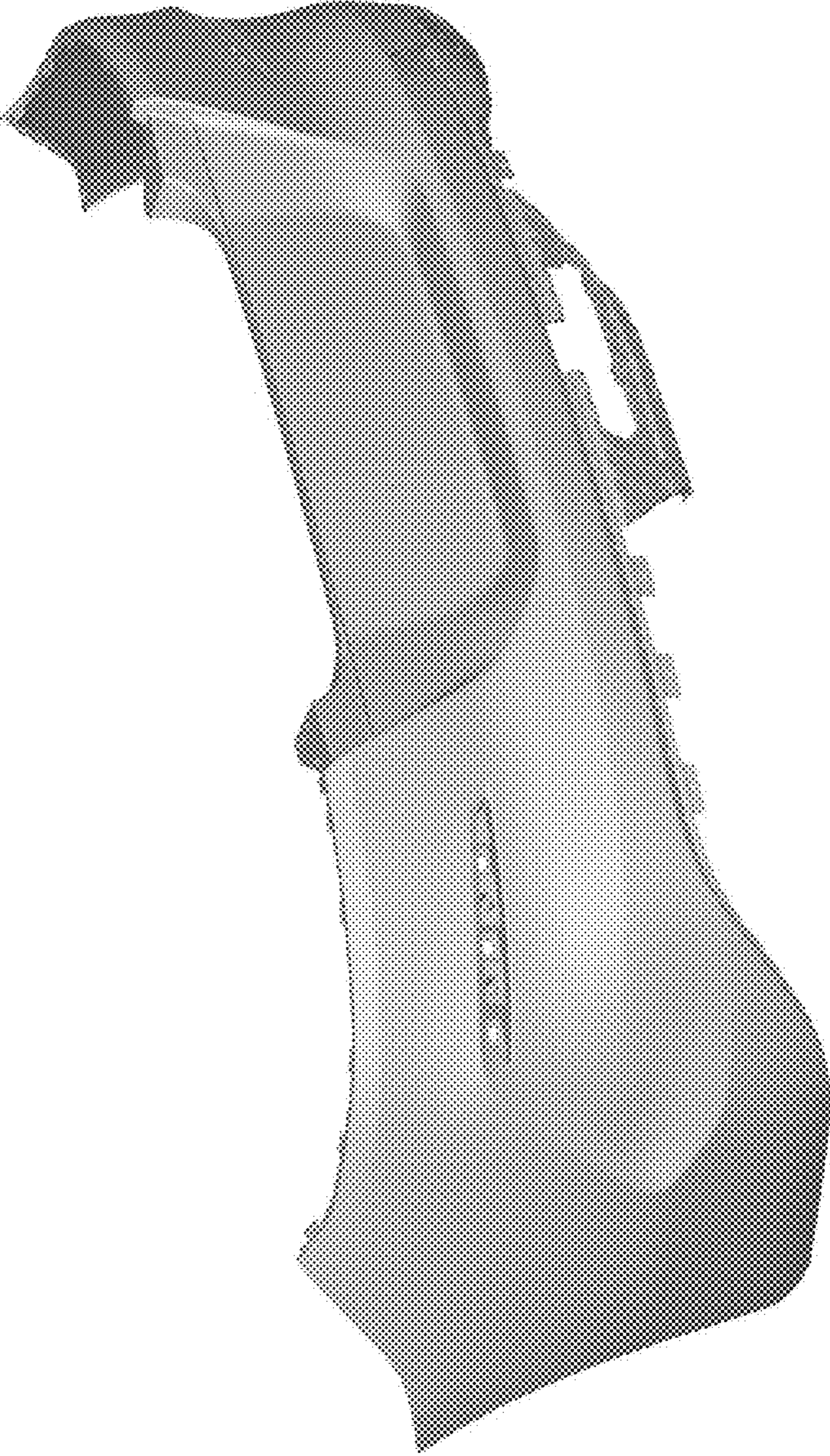


Fig. 2

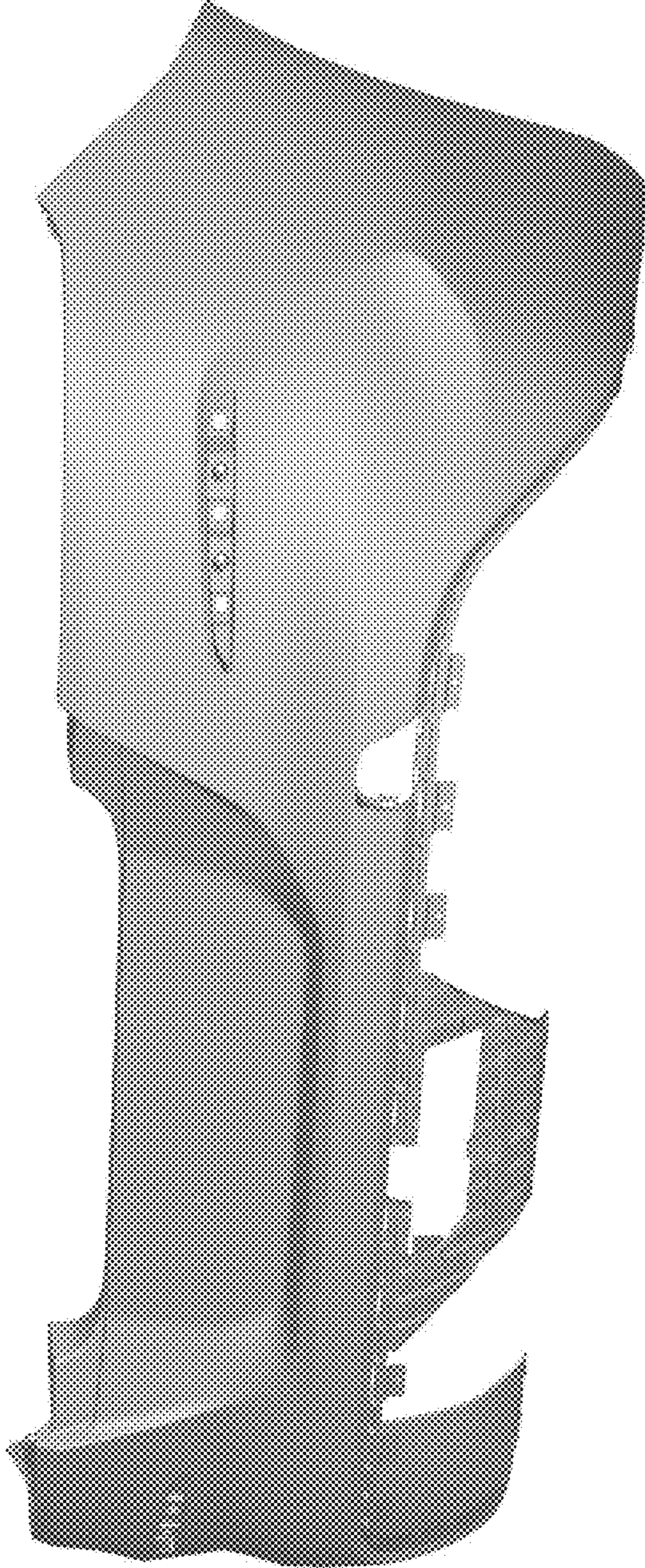


Fig. 3

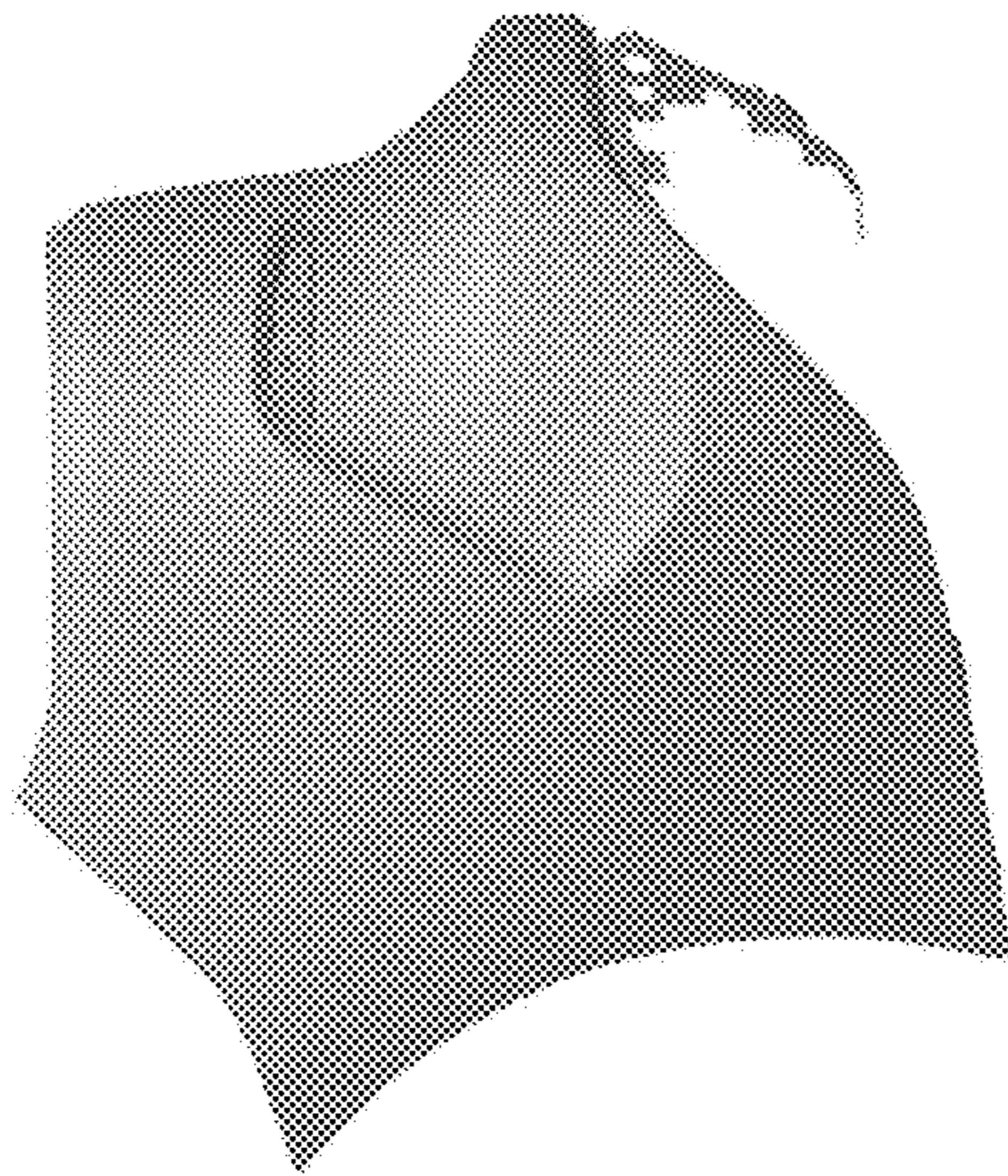


Fig. 4

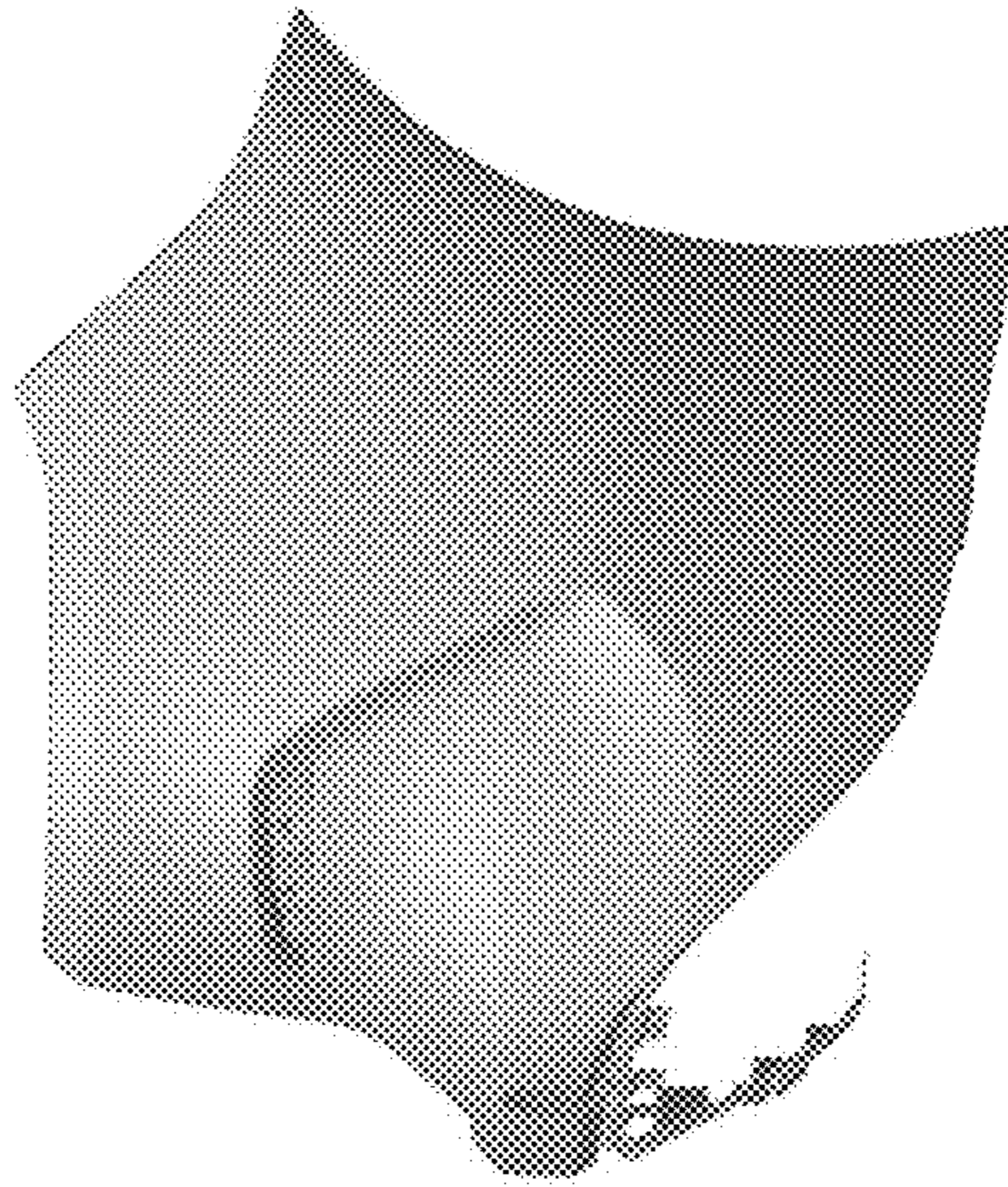


Fig. 5

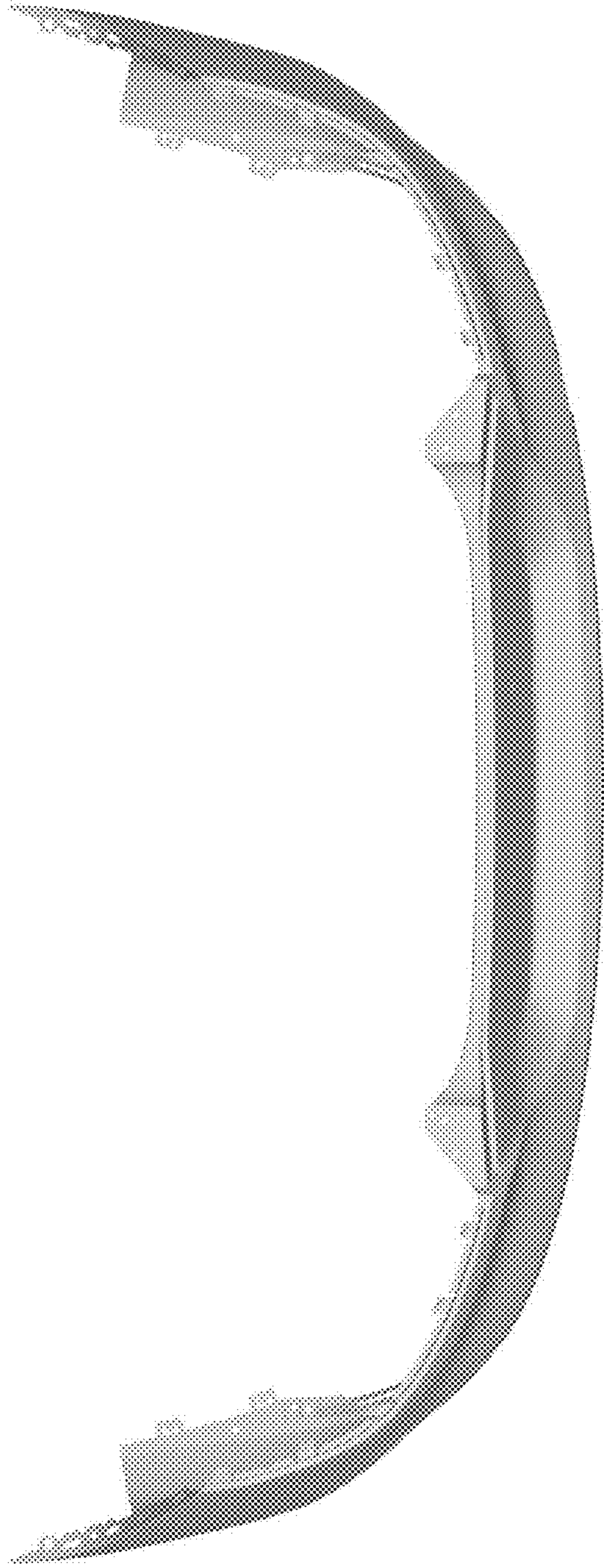


Fig. 6



Fig. 7

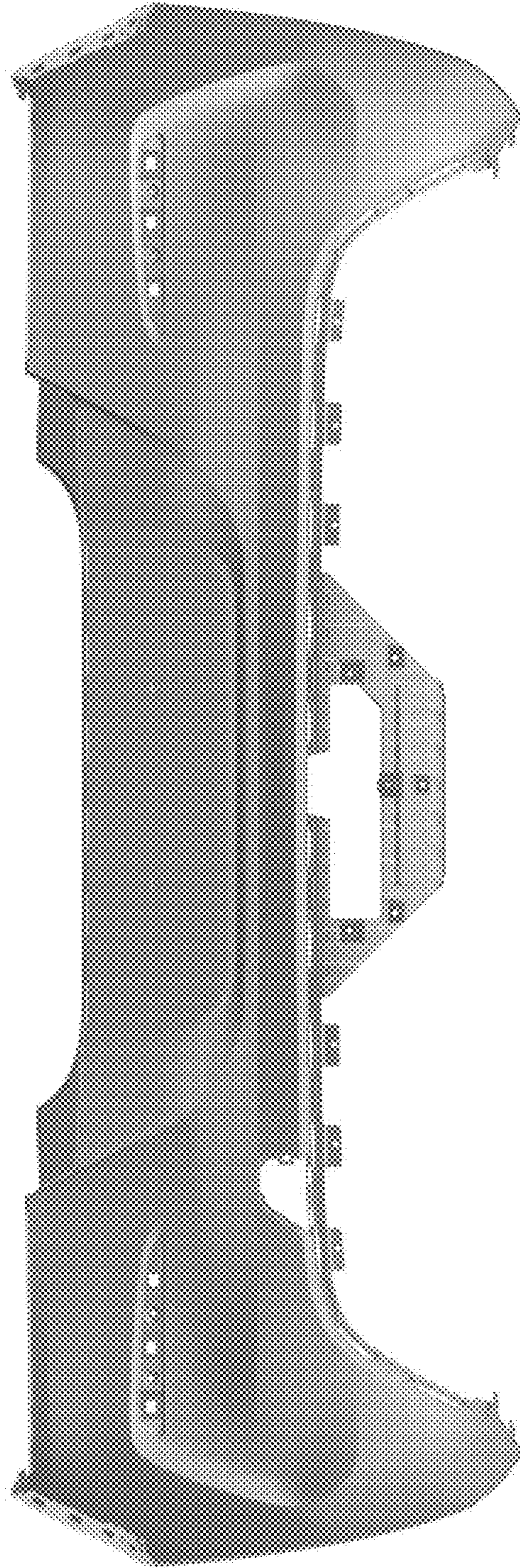


Fig. 8