



US00D856204S

(12) **United States Design Patent**  
**Kapitonov**

(10) **Patent No.:** **US D856,204 S**

(45) **Date of Patent:** **\*\* Aug. 13, 2019**

(54) **VEHICLE FRONT LOWER BUMPER FASCIA**

(71) Applicant: **GM GLOBAL TECHNOLOGY OPERATIONS LLC**, Detroit, MI (US)

(72) Inventor: **Vladimir Kapitonov**, Farmington, MI (US)

(73) Assignee: **GM GLOBAL TECHNOLOGY OPERATIONS LLC**, Detroit, MI (US)

(\*\*) Term: **15 Years**

(21) Appl. No.: **29/607,537**

(22) Filed: **Jun. 14, 2017**

(51) **LOC (12) Cl.** ..... **12-16**

(52) **U.S. Cl.**  
USPC ..... **D12/169**

(58) **Field of Classification Search**  
USPC ..... D12/169, 196, 86, 90-92; 293/102, 113, 293/115, 117, 120; 296/180.1, 180.2  
CPC ..... B60R 19/02; B60R 19/04; B62D 25/08  
See application file for complete search history.

(56) **References Cited**

**U.S. PATENT DOCUMENTS**

D570,742 S	6/2008	Takagi et al.
D592,105 S	5/2009	Dean et al.
D597,447 S	8/2009	Folden
D600,595 S	9/2009	Nakamura et al.
D601,925 S	10/2009	O'Donnell
D603,755 S	11/2009	Peters
D604,203 S	11/2009	O'Donnell
D605,082 S	12/2009	Munson
D605,083 S	12/2009	Manoogian, II et al.
D605,977 S	12/2009	Zipfel et al.
D605,978 S	12/2009	Wolff et al.
D608,249 S	1/2010	Peters
D608,690 S	1/2010	Folden et al.
D608,691 S	1/2010	Zak, Jr. et al.

D609,608 S	2/2010	Boniface et al.
D611,387 S	3/2010	Thompson et al.
D611,879 S	3/2010	Kim et al.
D612,297 S	3/2010	Peters et al.
D613,645 S	4/2010	Song et al.
D615,458 S	5/2010	Thompson et al.
D618,595 S	6/2010	Ware et al.
D623,090 S	9/2010	Cox et al.
D627,262 S	11/2010	Ikeda et al.
D635,488 S	4/2011	Phipps
D644,147 S	8/2011	Suh et al.
D644,567 S	9/2011	Kozub
D657,718 S	4/2012	Zipfel et al.
D659,052 S	5/2012	Ware et al.
D659,053 S	5/2012	Ware et al.
D668,182 S	10/2012	Barba Franco et al.
D668,183 S	10/2012	Smart
D678,820 S	3/2013	Son et al.
D678,821 S	3/2013	Ikeda et al.

(Continued)

*Primary Examiner* — Melody N Brown

(57) **CLAIM**

The ornamental design for a vehicle front lower bumper fascia, as shown and described.

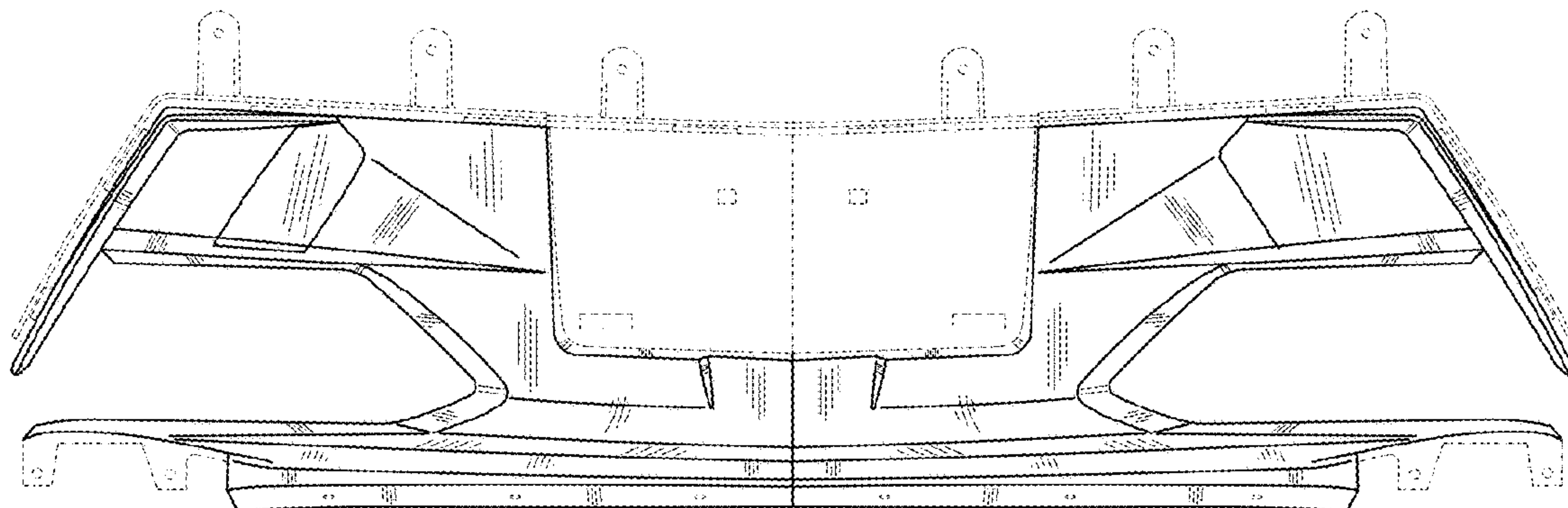
**DESCRIPTION**

FIG. 1 is a front and left side perspective view of a vehicle front lower bumper fascia showing our new design; FIG. 2 is a front elevation view thereof; FIG. 3 is a left side elevation view thereof, the right side being a mirror image of the left side shown; FIG. 4 is a top plan view thereof; and, FIG. 5 is a bottom plan view thereof.

The broken lines shown in the drawings depict portions of the vehicle front lower bumper fascia that form no part of the claimed design.

The shade lines in the figures show contour and not surface ornamentation.

**1 Claim, 3 Drawing Sheets**



(56)

References Cited

U.S. PATENT DOCUMENTS

D680,909 S	4/2013	Munson et al.	D753,560 S	4/2016	McMahan et al.
D680,910 S	4/2013	David	D753,567 S	4/2016	Boniface et al.
D684,899 S	6/2013	Baker	D754,571 S	4/2016	Boniface et al.
D686,536 S	7/2013	McCabe et al.	D754,572 S	4/2016	McMahan et al.
D692,798 S	11/2013	Thurber	D755,088 S	5/2016	McMahan et al.
D692,799 S	11/2013	Smith et al.	D756,869 S	5/2016	McMahan et al.
D696,157 S	12/2013	Loeb	D758,271 S	6/2016	McMahan et al.
D699,629 S	2/2014	Ikeda et al.	D764,975 S	8/2016	Aengenheyster
D700,871 S	3/2014	O'Donnell et al.	D764,976 S	8/2016	Aengenheyster
D703,103 S	4/2014	Lee	D767,449 S	9/2016	Pevovar et al.
D704,103 S	5/2014	Mack et al.	D767,450 S	9/2016	Lee et al.
D705,132 S	5/2014	Ware et al.	D767,451 S	9/2016	Kozub et al.
D705,699 S	5/2014	Ware et al.	D767,454 S	9/2016	McMahan et al.
D713,298 S	9/2014	Dyson	D767,458 S	9/2016	Kim
D713,764 S	9/2014	Ferlazzo et al.	D767,459 S	9/2016	Kim
D716,696 S	11/2014	Thole et al.	D767,460 S	9/2016	Kozub et al.
D716,706 S	11/2014	Thole et al.	D767,461 S	9/2016	Kozub et al.
D716,709 S	11/2014	Thole et al.	D771,528 S	11/2016	Smith et al.
D717,696 S	11/2014	Thole et al.	D771,529 S	11/2016	Thole et al.
D718,189 S	11/2014	Krieg et al.	D771,532 S	11/2016	Kapitonov
D718,683 S	12/2014	Thole et al.	D771,533 S	11/2016	Kapitonov
D722,282 S	2/2015	Loeb	D772,766 S	11/2016	Kozub et al.
D722,533 S	2/2015	Thole et al.	D772,767 S	11/2016	Kim
D722,534 S	2/2015	Munson et al.	D773,084 S	11/2016	Kapitonov
D724,510 S	3/2015	McMahan et al.	D773,086 S	11/2016	McCabe et al.
D725,001 S	3/2015	McMahan et al.	D774,226 S	12/2016	McCabe et al.
D726,591 S	4/2015	Jacob	D775,003 S	12/2016	Pevovar et al.
D730,776 S	6/2015	Smart	D775,007 S	12/2016	Thole et al.
D730,783 S	6/2015	Henriques et al.	D775,010 S	12/2016	Kim et al.
D732,427 S	6/2015	Loeb	D775,049 S	12/2016	Scheer et al.
D732,429 S	6/2015	Loeb	D775,549 S	1/2017	Karras
D732,430 S	6/2015	Loeb	D775,554 S	1/2017	Kapitonov
D732,431 S	6/2015	Loeb	D776,020 S	1/2017	Kapitonov
D732,432 S	6/2015	Aengenheyster	D776,581 S	1/2017	Pevovar et al.
D732,433 S	6/2015	Aengenheyster	D776,583 S	1/2017	Scheer et al.
D732,435 S	6/2015	Mackay	D776,841 S	1/2017	Kozub et al.
D733,002 S	6/2015	Loeb	D776,843 S	1/2017	McCabe et al.
D735,611 S	8/2015	Aengenheyster	D776,846 S	1/2017	Willett et al.
D735,627 S	8/2015	Smith	D777,359 S	1/2017	Kozub et al.
D736,451 S	8/2015	Smith	D777,360 S	1/2017	Kozub et al.
D739,306 S	9/2015	McMahan et al.	D777,361 S	1/2017	Kozub et al.
D739,317 S	9/2015	McMahan et al.	D777,604 S	1/2017	McNerney
D741,223 S	10/2015	Kim et al.	D777,605 S	1/2017	Ferlazzo et al.
D743,309 S	11/2015	Thole et al.	D777,620 S	1/2017	Pevovar et al.
D743,313 S	11/2015	Smith et al.	D777,621 S	1/2017	Kim
D743,314 S	11/2015	Thole et al.	D777,622 S	1/2017	Kozub et al.
D743,857 S	11/2015	McMahan et al.	D777,628 S	1/2017	Kozub et al.
D744,158 S	11/2015	Willett et al.	D777,955 S	1/2017	Willett et al.
D745,086 S	12/2015	Finos et al.	D778,212 S	2/2017	Kozub et al.
D745,719 S	12/2015	Boniface et al.	D778,215 S	2/2017	Kozub et al.
D745,725 S	12/2015	McMahan et al.	D780,064 S	2/2017	Smith et al.
D745,726 S	12/2015	McMahan et al.	D780,067 S	2/2017	Zipfel et al.
D745,837 S	12/2015	Smith et al.	D780,068 S	2/2017	Whitla et al.
D746,726 S	1/2016	Smith et al.	D780,077 S	2/2017	Kim et al.
D746,727 S	1/2016	Smith et al.	D780,081 S	2/2017	Lee
D746,728 S	1/2016	Smith et al.	D780,084 S	2/2017	Scheer et al.
D746,729 S	1/2016	Boniface et al.	D780,631 S	3/2017	Kozub et al.
D746,730 S	1/2016	Kim et al.	D780,644 S	3/2017	Kim et al.
D747,514 S	1/2016	McMahan et al.	D781,184 S	3/2017	Thole et al.
D747,515 S	1/2016	McMahan et al.	D781,192 S	3/2017	Kozub et al.
D747,819 S	1/2016	Thole et al.	D782,379 S	3/2017	Wassell
D749,021 S	2/2016	Boniface et al.	D783,482 S	4/2017	Smith et al.
D749,026 S	2/2016	Smith et al.	D784,213 S	4/2017	Karras
D749,027 S	2/2016	McMahan et al.	D784,223 S	4/2017	Lee
D749,246 S	2/2016	Thole et al.	D784,226 S	4/2017	Cheng
D749,249 S	2/2016	Thole et al.	D784,579 S	4/2017	Cheng et al.
D749,250 S	2/2016	Thole et al.	D784,877 S	4/2017	Lee
D749,985 S	2/2016	Kozub et al.	D784,886 S	4/2017	Smith et al.
D749,997 S	2/2016	McMahan et al.	D785,521 S	5/2017	Smith et al.
D750,001 S	2/2016	Thole et al.	D786,149 S	5/2017	Pevovar et al.
D753,032 S	4/2016	Smith et al.	D786,743 S	5/2017	Smith et al.
D753,033 S	4/2016	Thole et al.	D786,750 S	5/2017	Lee
D753,034 S	4/2016	Thole et al.	D793,294 S	* 10/2017	Jung ..... D12/169
D753,035 S	4/2016	Boniface et al.	D797,616 S	* 12/2017	Whitla ..... D12/169
D753,559 S	4/2016	McMahan et al.	D813,731 S	3/2018	McMahan
			D813,732 S	3/2018	Whitla et al.
			D813,733 S	3/2018	Lee
			D813,734 S	3/2018	Nakamura
			D813,740 S	* 3/2018	Whitla ..... D12/169



(56)

References Cited

U.S. PATENT DOCUMENTS

D813,741 S	3/2018	Perkins		D818,893 S	5/2018	Kim
D813,742 S	3/2018	McMahan et al.		D818,903 S	5/2018	Zipfel et al.
D813,743 S *	3/2018	Loeb .....	D12/169	D818,906 S	5/2018	McMahan
D813,744 S *	3/2018	Whitla et al. ....	D12/169	D818,907 S	5/2018	Whitla et al.
D813,748 S	3/2018	Kim		D818,915 S	5/2018	Kozub et al.
D813,753 S	3/2018	Loeb		D818,922 S	5/2018	Whitla et al.
D813,754 S	3/2018	Loeb		D819,505 S	6/2018	McMahan et al.
D813,755 S	3/2018	Loeb		D819,519 S	6/2018	Whitla et al.
D813,756 S	3/2018	Loeb		D821,617 S	6/2018	Perkins
D813,757 S	3/2018	Kozub		D819,524 S *	7/2018	Gueler .....
D813,758 S	3/2018	Gonzales				D12/169
D813,759 S	3/2018	Perkins		D822,550 S	7/2018	Wassell et al.
D814,369 S	4/2018	Loeb		D822,551 S	7/2018	McMahan et al.
D814,982 S	4/2018	Whitla et al.		D823,188 S	7/2018	Loeb
D814,983 S	4/2018	Whitla et al.		D823,738 S	7/2018	Kim
D815,570 S	4/2018	McMahan et al.		D823,741 S	7/2018	Kim
D815,572 S	4/2018	Perkins		D823,762 S	7/2018	Loeb
D815,573 S	4/2018	Whitla et al.		D823,763 S	7/2018	Koo et al.
D815,574 S	4/2018	Mainville		D824,811 S	8/2018	Mainville
D815,985 S	4/2018	Mueller		D824,812 S	8/2018	Loeb
D815,993 S	4/2018	Kozub et al.		D824,824 S	8/2018	Kim
D815,994 S	4/2018	Nakamura		D824,825 S	8/2018	Loeb
D816,003 S	4/2018	Perkins		D825,083 S	8/2018	Perkins
D816,558 S	5/2018	McMahan et al.		D825,388 S	8/2018	Karras et al.
D816,559 S	5/2018	McMahan et al.		D825,403 S	8/2018	Whitla et al.
D816,561 S	5/2018	McMahan		D826,114 S	8/2018	Smith et al.
D816,562 S	5/2018	Whitla et al.		D826,435 S	8/2018	Kim
D816,563 S *	5/2018	Kim .....	D12/169	D826,803 S	8/2018	Smith et al.
D816,564 S	5/2018	Kim		D827,506 S	9/2018	McMahan et al.
D816,565 S	5/2018	Kim		D827,508 S	9/2018	Whitla et al.
D816,566 S	5/2018	Loeb		D827,510 S	9/2018	Kim
D817,836 S	5/2018	McMahan et al.		D827,527 S	9/2018	Loeb
D818,156 S	5/2018	Kim et al.		D828,246 S	9/2018	Loeb
D818,157 S	5/2018	Zipfel et al.		D828,261 S	9/2018	Moffett et al.
D818,158 S	5/2018	Zipfel et al.		D828,935 S	9/2018	Hochmuth
D818,159 S	5/2018	Zipfel et al.		D829,622 S	10/2018	Jacob
D818,160 S	5/2018	Perkins		D830,241 S	10/2018	Kozub
D818,406 S	5/2018	McMahan et al.		D830,242 S	10/2018	Zipfel
D818,876 S	5/2018	Whitla et al.		D830,252 S	10/2018	Swaneger
D818,877 S	5/2018	Nakamura et al.		D830,258 S	10/2018	McMahan et al.
D818,878 S	5/2018	McMahan et al.		D830,261 S	10/2018	Jacob
D818,892 S	5/2018	Lee		D830,589 S	10/2018	Henriques
				D832,752 S	11/2018	Lee
				D835,003 S	12/2018	Thompson et al.
				D835,012 S	12/2018	Smith et al.

\* cited by examiner

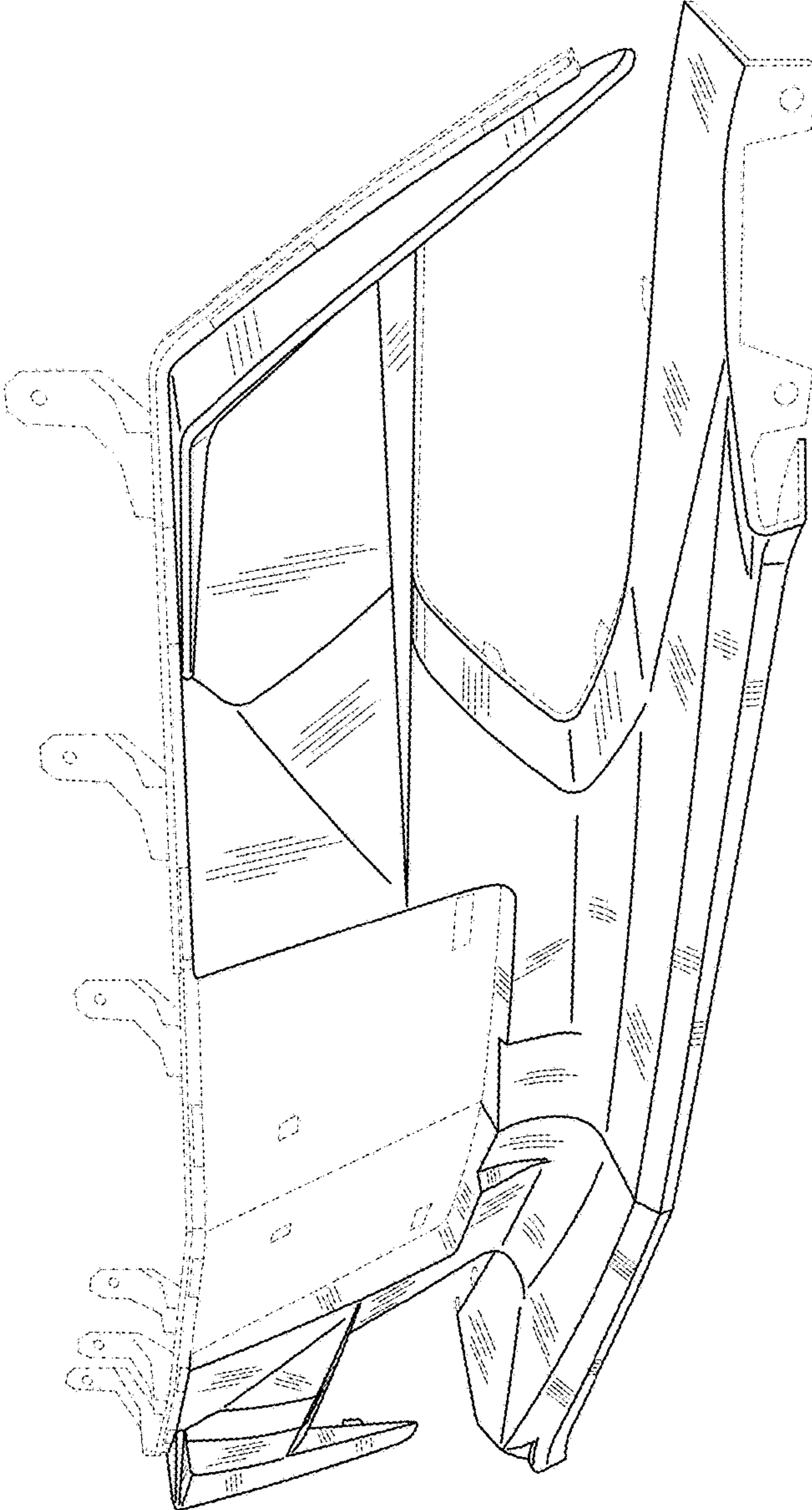


FIG-1

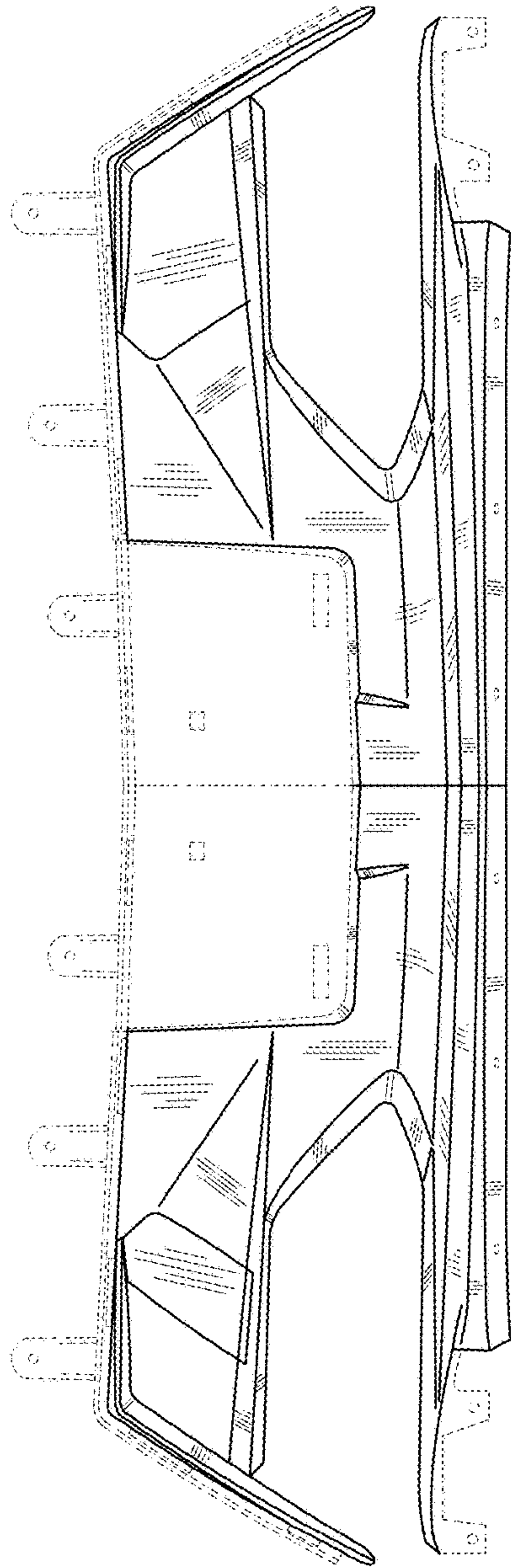


FIG-2

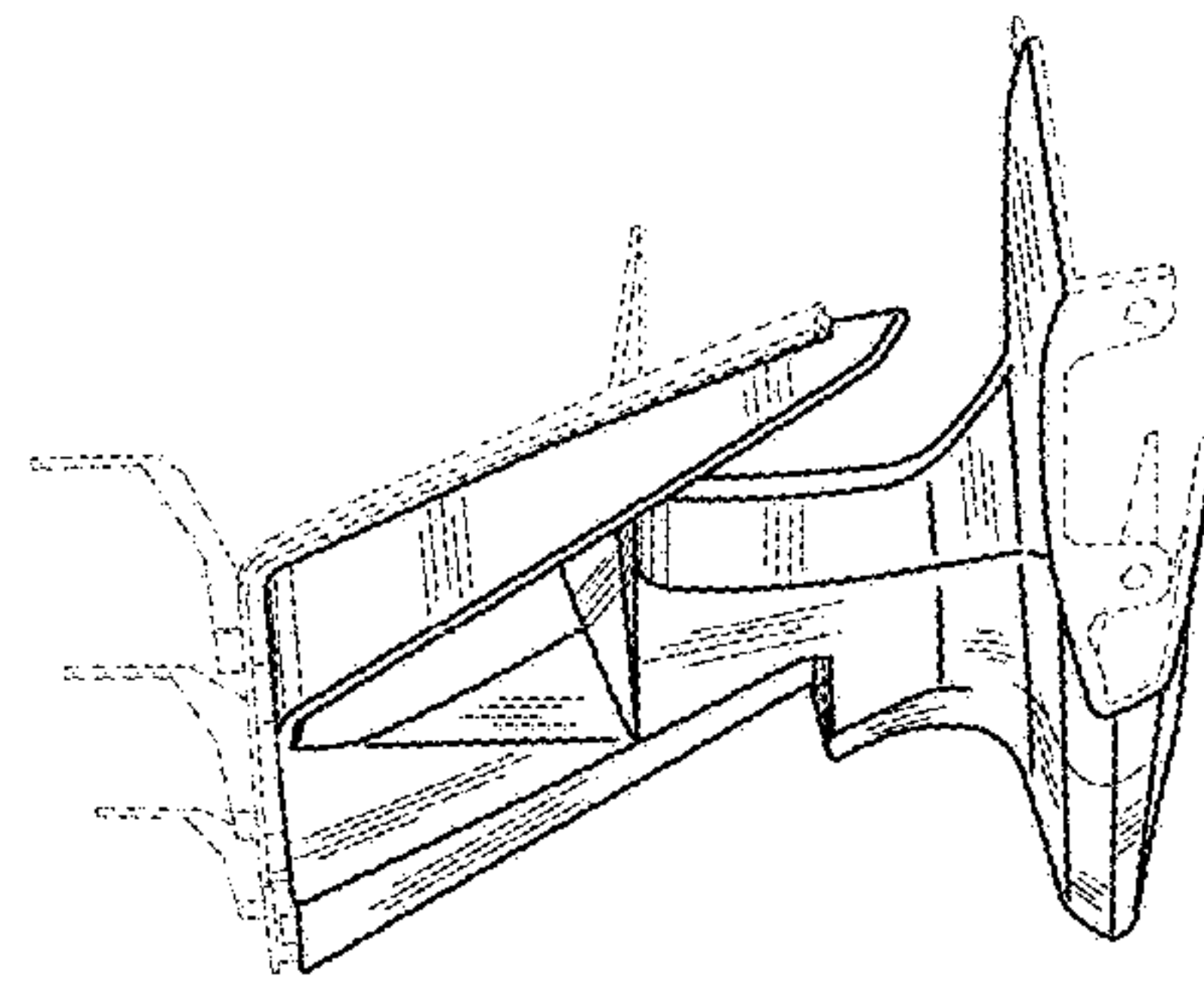


FIG-3

