



US00D856200S

(12) **United States Design Patent** (10) **Patent No.:** **US D856,200 S**
Dewitt et al. (45) **Date of Patent:** **** Aug. 13, 2019**

(54) **VEHICLE FRONT LOWER GRILLE**

(71) Applicant: **Ford Global Technologies, LLC,**
Dearborn, MI (US)

(72) Inventors: **David Dewitt,** Docklands (AU); **Todd Willing,** East Melbourne (AU); **Max Wolff,** Birmingham, MI (US)

(73) Assignee: **Ford Global Technologies, LLC,**
Dearborn, MI (US)

(**) Term: **15 Years**

(21) Appl. No.: **29/632,631**

(22) Filed: **Jan. 9, 2018**

(51) **LOC (12) Cl.** **12-16**

(52) **U.S. Cl.**
USPC **D12/163**

(58) **Field of Classification Search**
USPC D12/169, 196, 86, 90-92, 163; 293/102,
293/113, 115, 117, 120, 193.11;
296/180.1, 180.2; 180/68.1, 68.6
CPC B60R 19/52; B60K 11/08; B62D 25/08;
B62B 9/16
See application file for complete search history.

(56) **References Cited**

U.S. PATENT DOCUMENTS

D473,500 S *	4/2003	Okumoto	D12/169
D502,675 S *	3/2005	Ichinose	D12/169
D504,366 S *	4/2005	Ishibashi	D12/169
D533,819 S *	12/2006	Hogios	D12/169
D561,072 S *	2/2008	Golden	D12/169
D678,824 S *	3/2013	Behmer	D12/163

D681,514 S *	5/2013	Platto	D12/163
D712,318 S *	9/2014	Mays	D12/163
D722,923 S *	2/2015	George	D12/163
D741,224 S *	10/2015	Rupar	D12/91
D754,563 S *	4/2016	Behmer	D12/91
D769,159 S *	10/2016	Platto	D12/163
D771,533 S *	11/2016	Kapitonov	D12/169
D771,534 S *	11/2016	Bucher	D12/169
D794,517 S *	8/2017	Woolley	D12/163
D819,512 S *	6/2018	Behmer	D12/163

* cited by examiner

Primary Examiner — Melody N Brown

(74) *Attorney, Agent, or Firm* — Vichit Chea

(57) **CLAIM**

The ornamental design for a vehicle front lower grille, as shown and described.

DESCRIPTION

FIG. 1 is a front elevational view of a vehicle front lower grille, showing our new design;
FIG. 2 is a left side elevational view thereof;
FIG. 3 is a right side elevational view thereof;
FIG. 4 is a top plan view thereof;
FIG. 5 is a bottom plan view thereof;
FIG. 6 is a top, front, and left side perspective view thereof;
and,
FIG. 7 is a bottom, front, and left side perspective view thereof.

The portions of the grille shown throughout the drawing views in de-emphasized and half-tone portions outside the broken lines and the broken lines representing the boundary and configuration of what is claimed as the design are for environmental and illustrative purposes only and form no part of the claimed design.

1 Claim, 7 Drawing Sheets



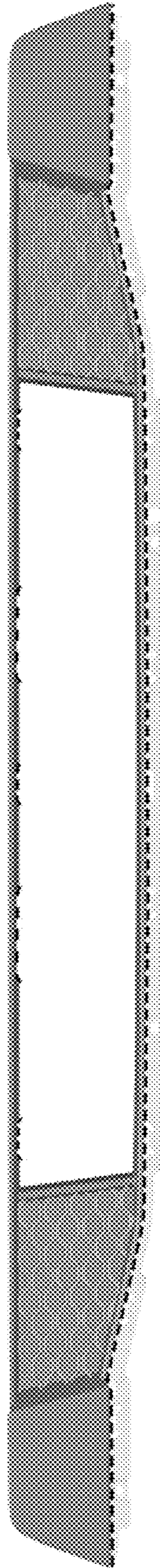


Fig. 1

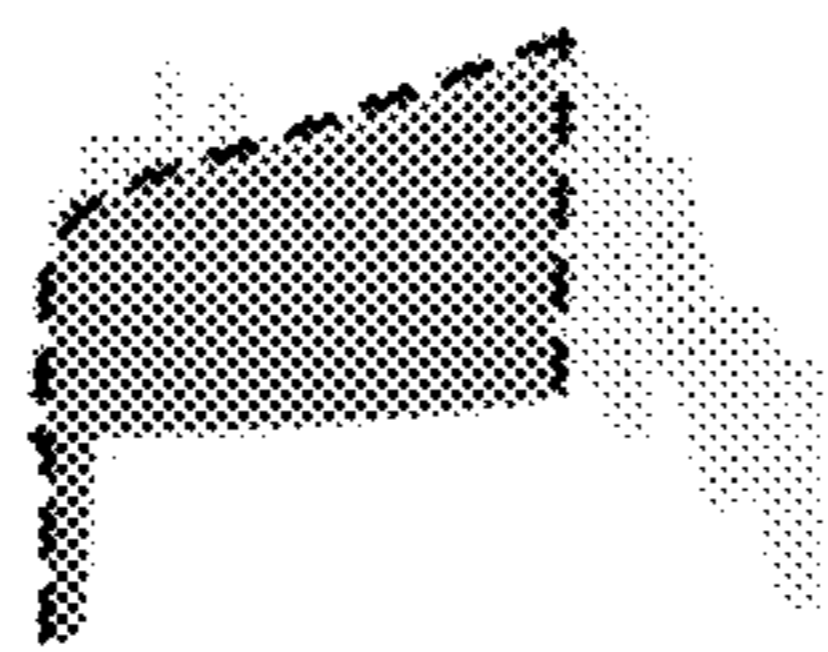


Fig. 2

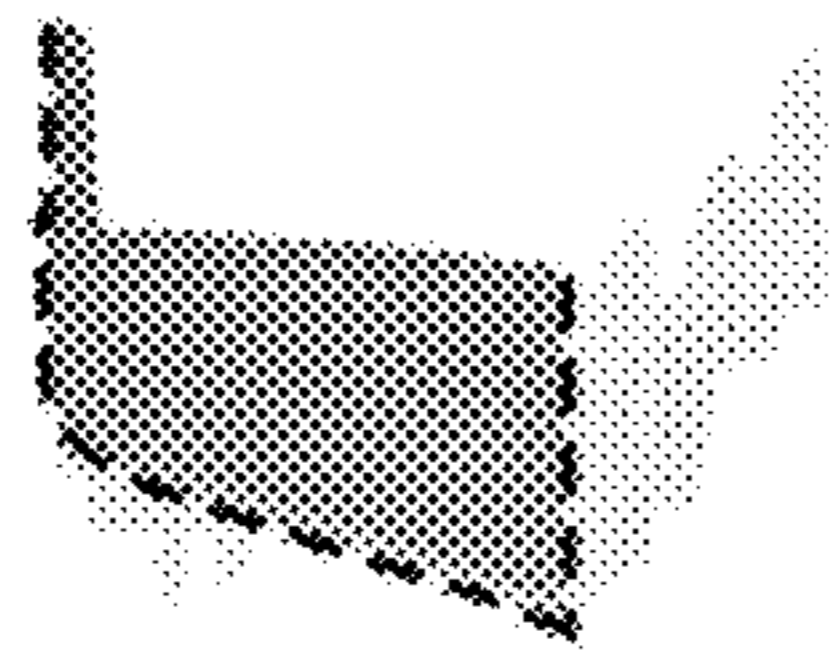


Fig. 3

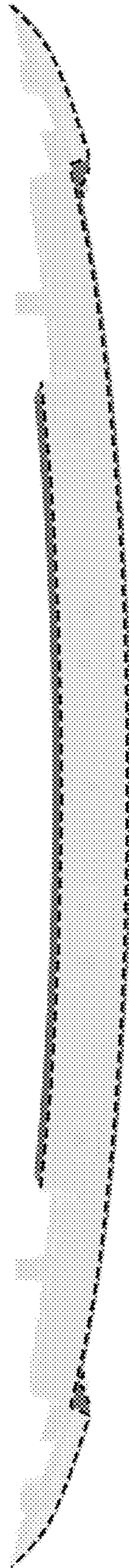
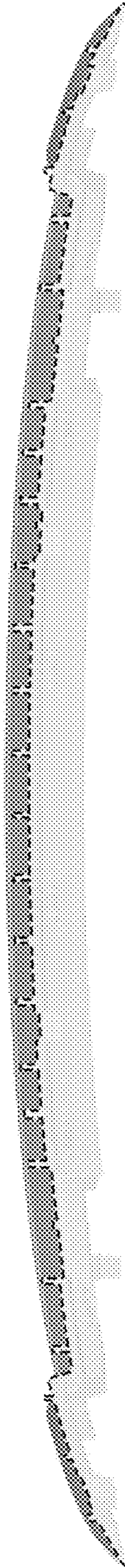


Fig. 4

Fig. 5



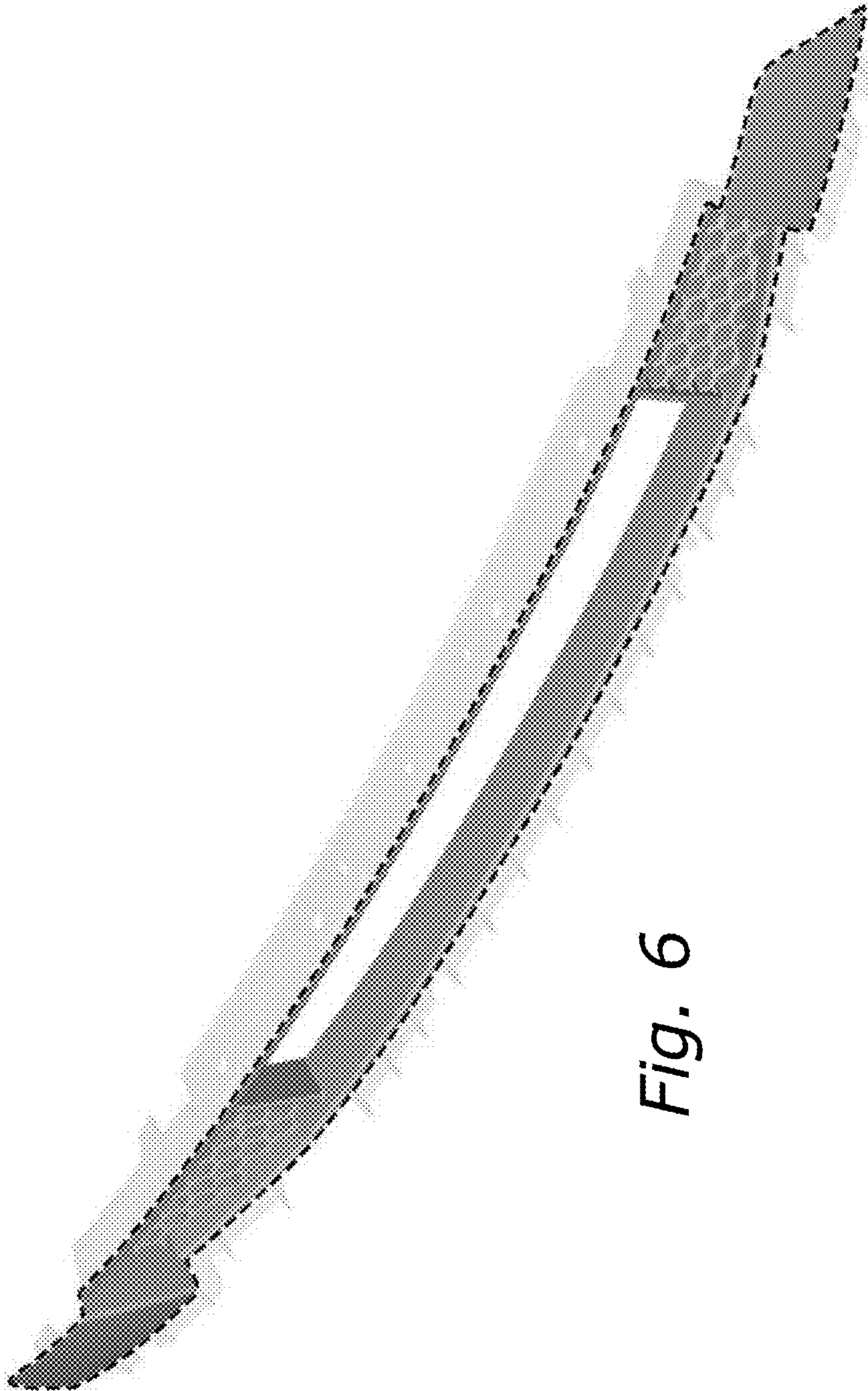


Fig. 6

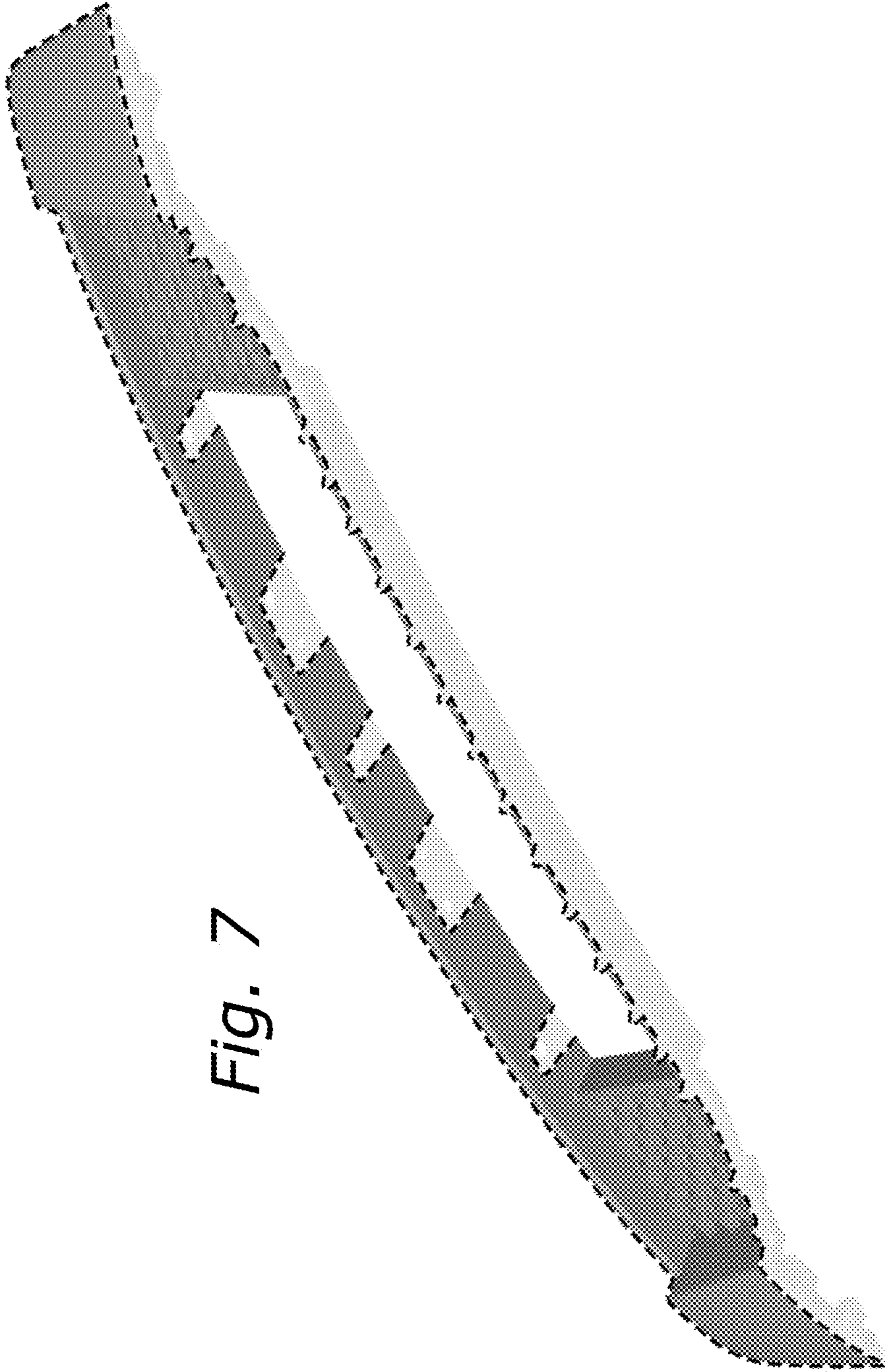


Fig. 7