



US00D856199S

(12) **United States Design Patent**  
**Siegel**

(10) **Patent No.:** **US D856,199 S**

(45) **Date of Patent:** **\*\* Aug. 13, 2019**

(54) **CLEVIS HITCH BALL ASSEMBLY**

(71) Applicant: **Horizon Global Americas Inc.**,  
Plymouth, MI (US)

(72) Inventor: **Theodore J. Siegel**, Mayfield Heights,  
OH (US)

(73) Assignee: **Horizon Global Americas Inc.**,  
Plymouth, MI (US)

(\*\*) Term: **15 Years**

(21) Appl. No.: **29/593,032**

(22) Filed: **Feb. 6, 2017**

(51) **LOC (12) Cl.** ..... **12-16**

(52) **U.S. Cl.**  
USPC ..... **D12/162**

(58) **Field of Classification Search**  
USPC ..... D12/400, 199, 161, 162  
CPC ..... B60D 1/187; B60D 1/06; B60D 1/065;  
B60D 1/07; B60D 1/145; B60D 1/02;  
A01B 59/042

See application file for complete search history.

(56) **References Cited**

**U.S. PATENT DOCUMENTS**

3,269,109	A *	8/1966	Hart	.....	B60D 1/187 59/86
3,843,160	A *	10/1974	Frushour	.....	B60D 1/02 280/416.1
5,857,693	A *	1/1999	Clark, Jr.	.....	B60D 1/06 280/415.1
6,755,589	B2 *	6/2004	Friesen	.....	A01B 59/042 280/494

D609,139	S *	2/2010	Luckey	.....	D12/162
D615,006	S *	5/2010	Goodman	.....	D12/162
8,371,603	B2 *	2/2013	Columbia	.....	B60D 1/06 280/504
8,827,300	B2 *	9/2014	Allsop	.....	B60D 1/065 280/492
D737,734	S *	9/2015	McGinnes	.....	D12/162
9,457,631	B1 *	10/2016	Kenemer	.....	B60D 1/07
D803,108	S *	11/2017	Liu	.....	D12/162
2008/0106065	A1 *	5/2008	Cutts	.....	B60D 1/145 280/504
2010/0207360	A1 *	8/2010	Columbia	.....	B60D 1/02 280/504

\* cited by examiner

*Primary Examiner* — Susan E Krakower

*Assistant Examiner* — Jerry Shiuan-Hua Hsu

(74) *Attorney, Agent, or Firm* — McDonald Hopkins LLC

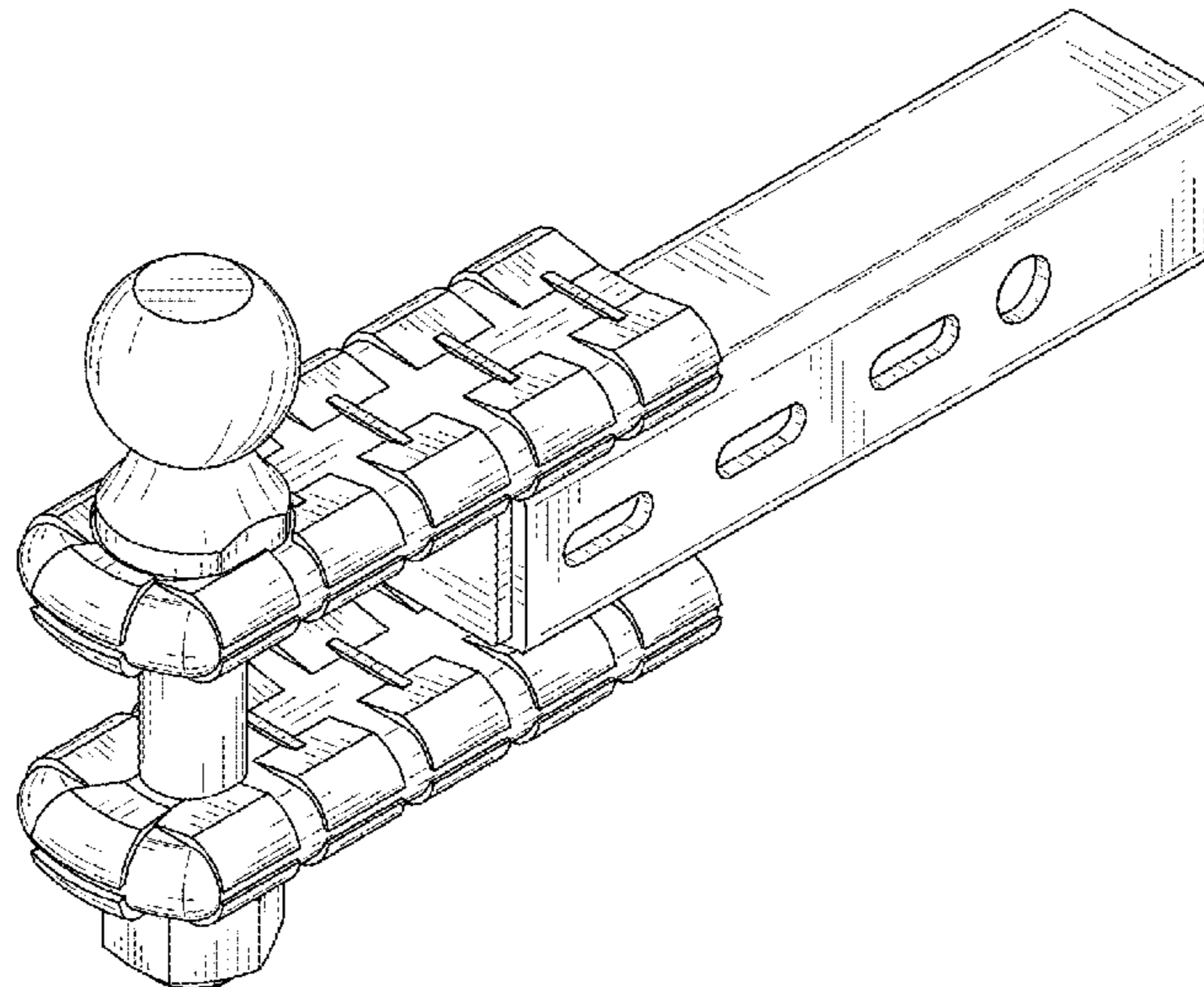
(57) **CLAIM**

The ornamental design for a clevis hitch ball assembly, as shown and described.

**DESCRIPTION**

FIG. 1 is a perspective view of a clevis hitch ball showing my new design;  
FIG. 2 is a first side view thereof;  
FIG. 3 is a second side view thereof;  
FIG. 4 is a rear view thereof;  
FIG. 5 is a front view thereof;  
FIG. 6 is a top view thereof; and,  
FIG. 7 is a bottom view thereof.  
The broken lines in the figures are included for the purpose of illustrating portions of the clevis hitch ball and form no part of the claimed design.

**1 Claim, 5 Drawing Sheets**



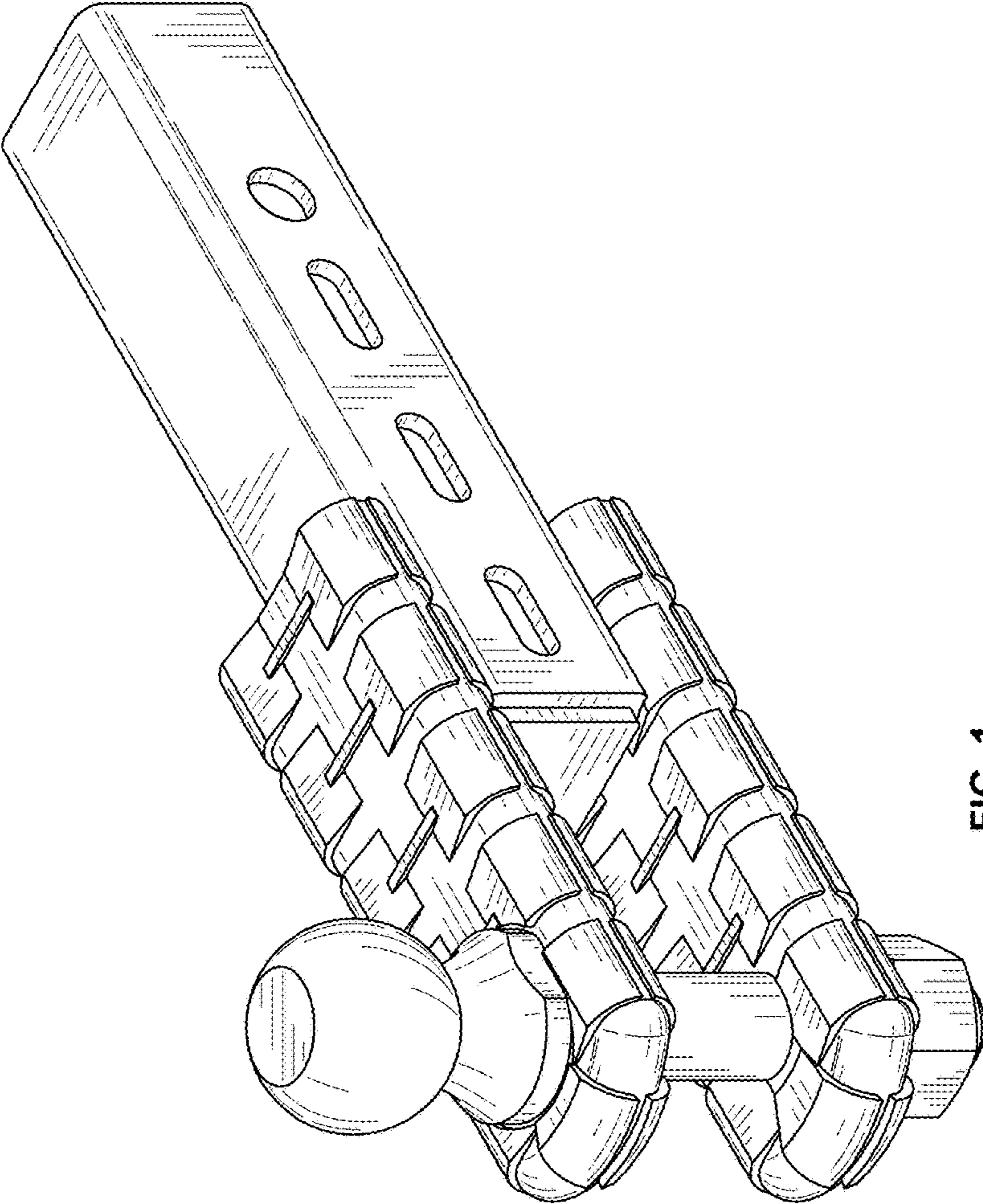


FIG. 1

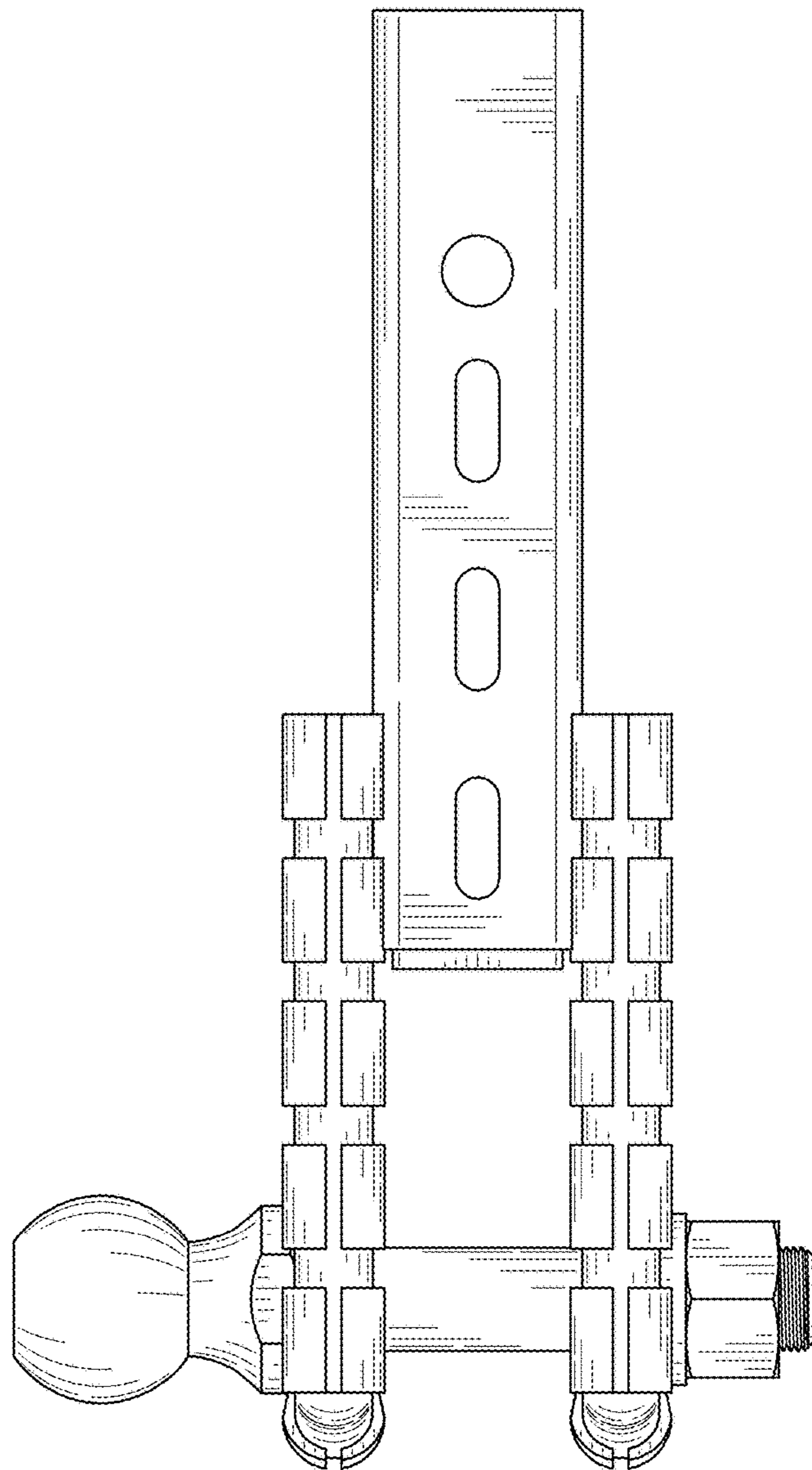


FIG. 2

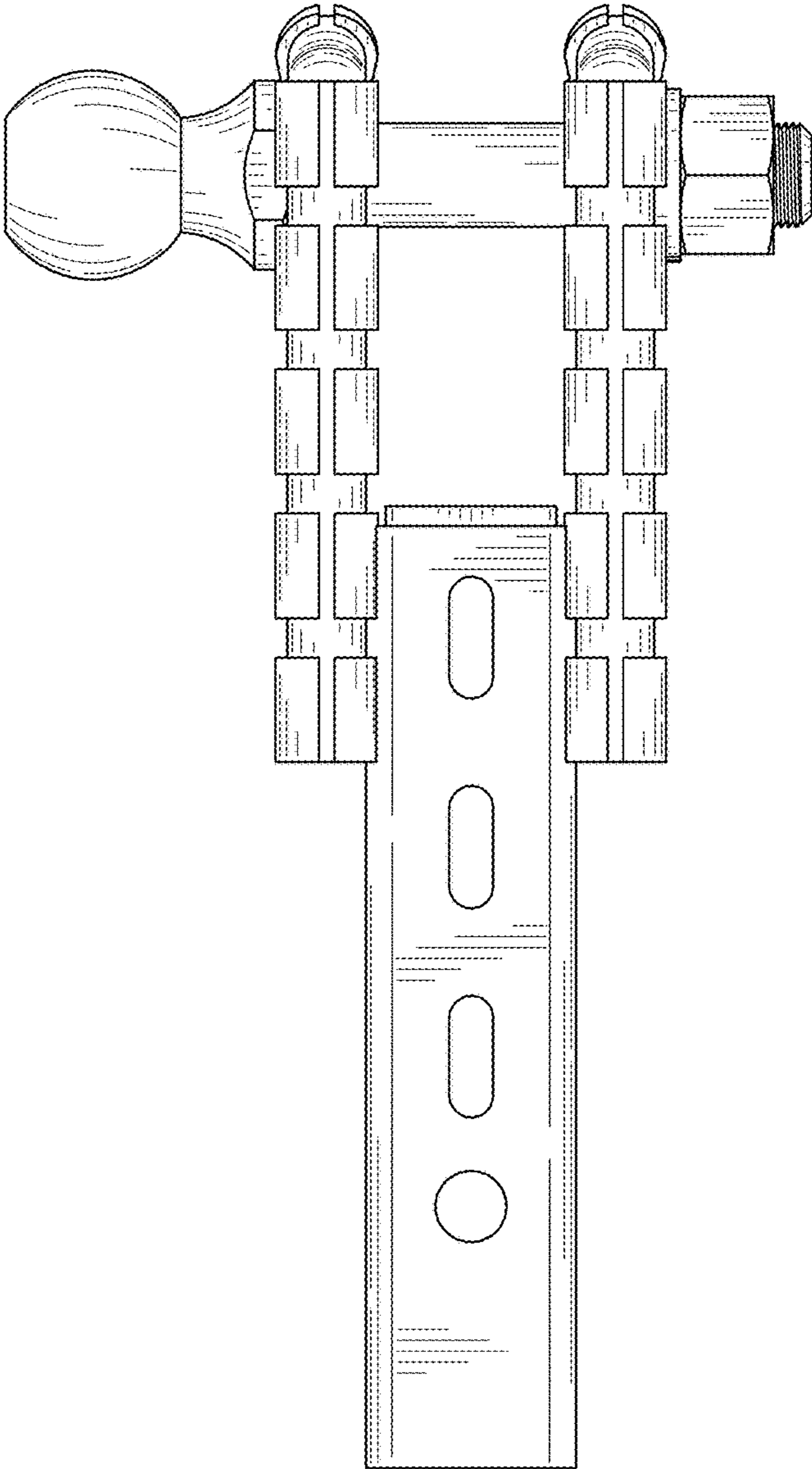


FIG. 3



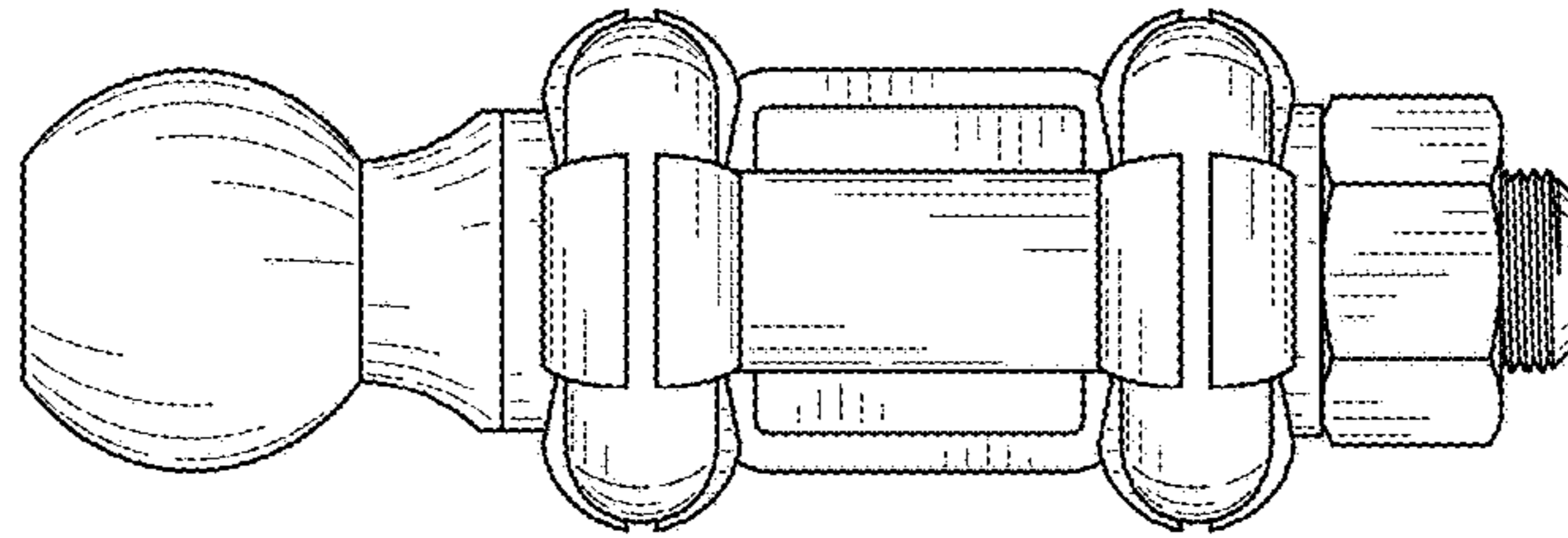


FIG. 5

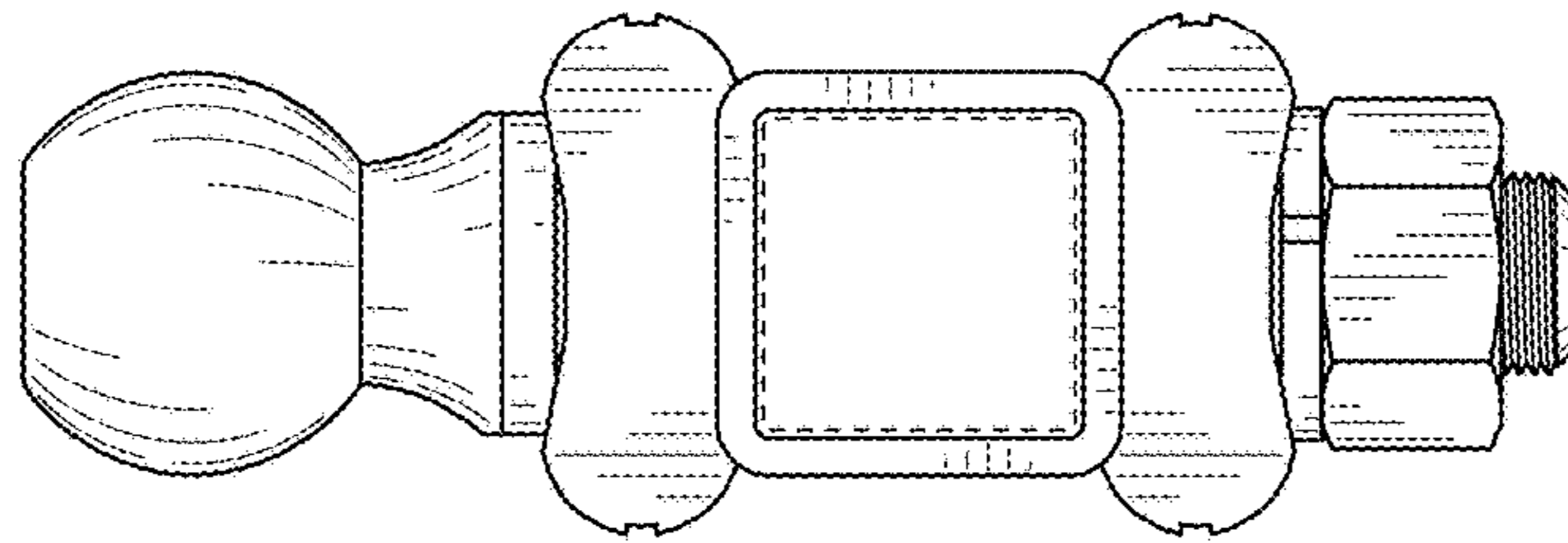


FIG. 4

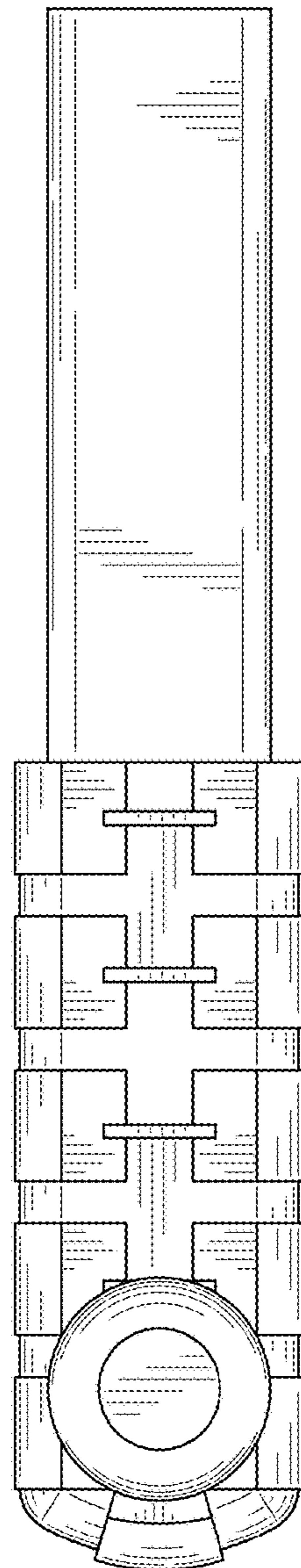


FIG. 6

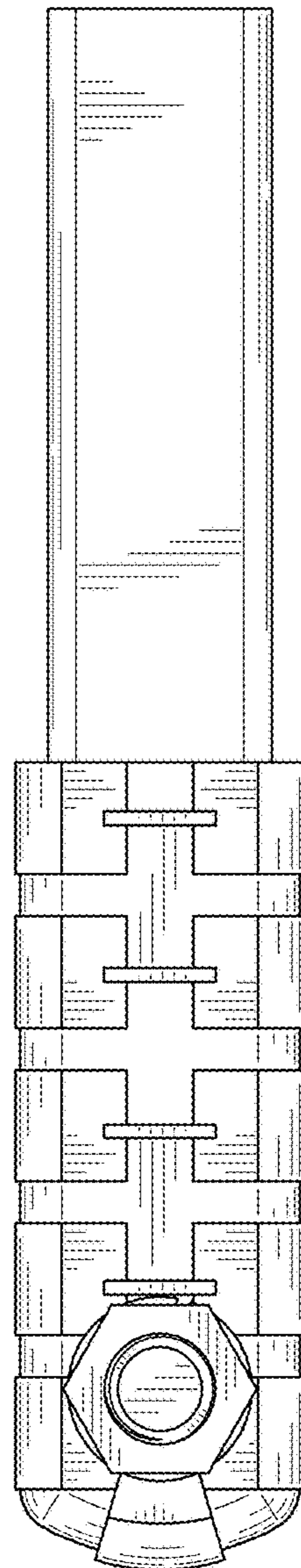


FIG. 7