



US00D856197S

(12) **United States Design Patent** (10) **Patent No.:** **US D856,197 S**
Lougee (45) **Date of Patent:** **** Aug. 13, 2019**

- (54) **WHEELCHAIR**
- (71) Applicant: **Strongback, LLC**, Worcester, MA (US)
- (72) Inventor: **Laurence Lougee**, San Francisco, CA (US)
- (73) Assignee: **Strongback, LLC**, Worcester, MA (US)
- (**) Term: **15 Years**
- (21) Appl. No.: **29/615,399**
- (22) Filed: **Aug. 29, 2017**
- (51) **LOC (12) Cl.** **12-12**
- (52) **U.S. Cl.**
USPC **D12/131**
- (58) **Field of Classification Search**
USPC D24/128-133
CPC A61G 5/00-14
See application file for complete search history.

- 6,419,253 B1 * 7/2002 Mascari A61G 5/1059
280/250.1
- 6,612,645 B1 * 9/2003 Hsu B62B 7/12
280/650
- D498,183 S * 11/2004 Nelson D12/128
- D559,741 S * 1/2008 Lasher, III D12/133
- D754,569 S * 4/2016 Da Cunha D12/131

* cited by examiner

Primary Examiner — Charles D Hanson
 (74) *Attorney, Agent, or Firm* — Brian M. Dingman;
 Dingman IP Law, PC

(57) **CLAIM**

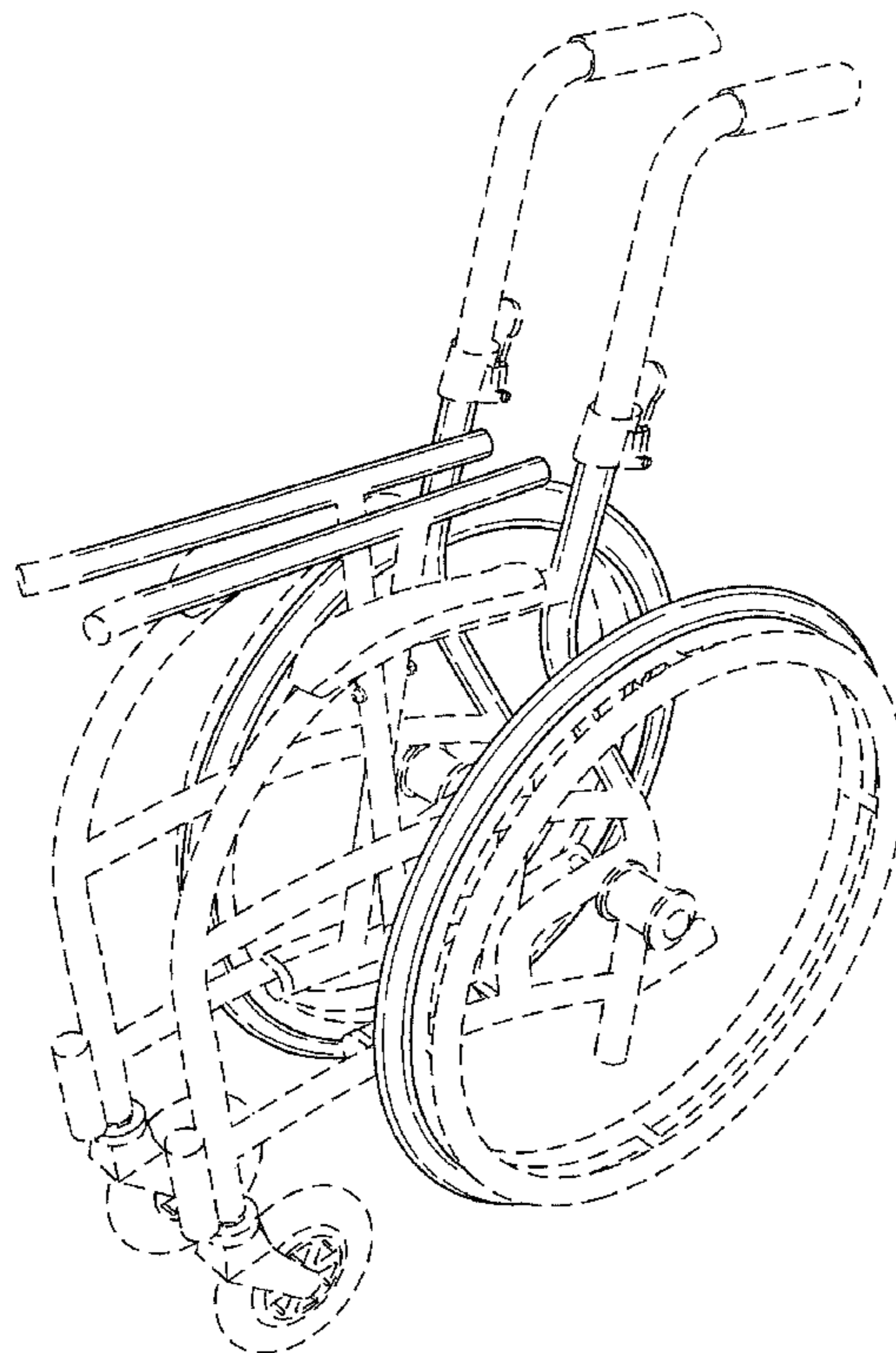
I claim the ornamental design for a wheelchair, as shown and described.

DESCRIPTION

FIG. 1 is a front/top/side perspective view of a wheelchair, with unclaimed subject matter shown in phantom;
 FIG. 2 is a front view of a wheelchair, with unclaimed subject matter shown in phantom;
 FIG. 3 is a rear view of a wheelchair, with unclaimed subject matter shown in phantom;
 FIG. 4 is a side view of a wheelchair; the other side is a mirror image thereof, with unclaimed subject matter shown in phantom;
 FIG. 5 is a top view of a wheelchair, with unclaimed subject matter shown in phantom; and,
 FIG. 6 is a bottom view of a wheelchair, with unclaimed subject matter shown in phantom.

1 Claim, 6 Drawing Sheets

- (56) **References Cited**
U.S. PATENT DOCUMENTS
- 5,267,745 A * 12/1993 Robertson A61G 5/00
280/250.1
- D359,260 S * 6/1995 Shriver D12/131
- D365,786 S * 1/1996 Peterson D12/131
- 5,524,971 A * 6/1996 Jay A47C 7/46
297/383
- 6,032,975 A * 3/2000 Hanson A61G 5/00
280/250.1



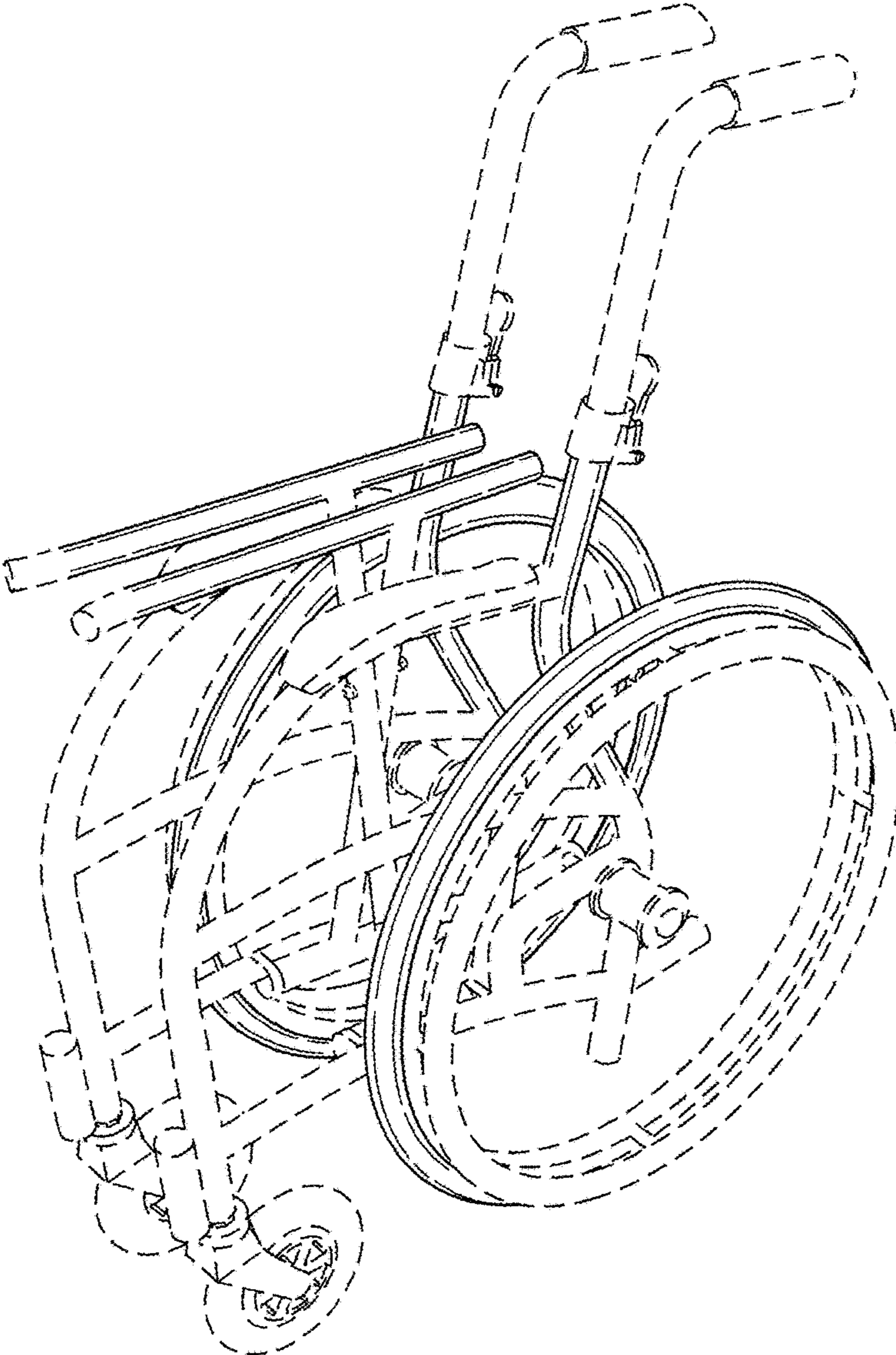


FIG. 1

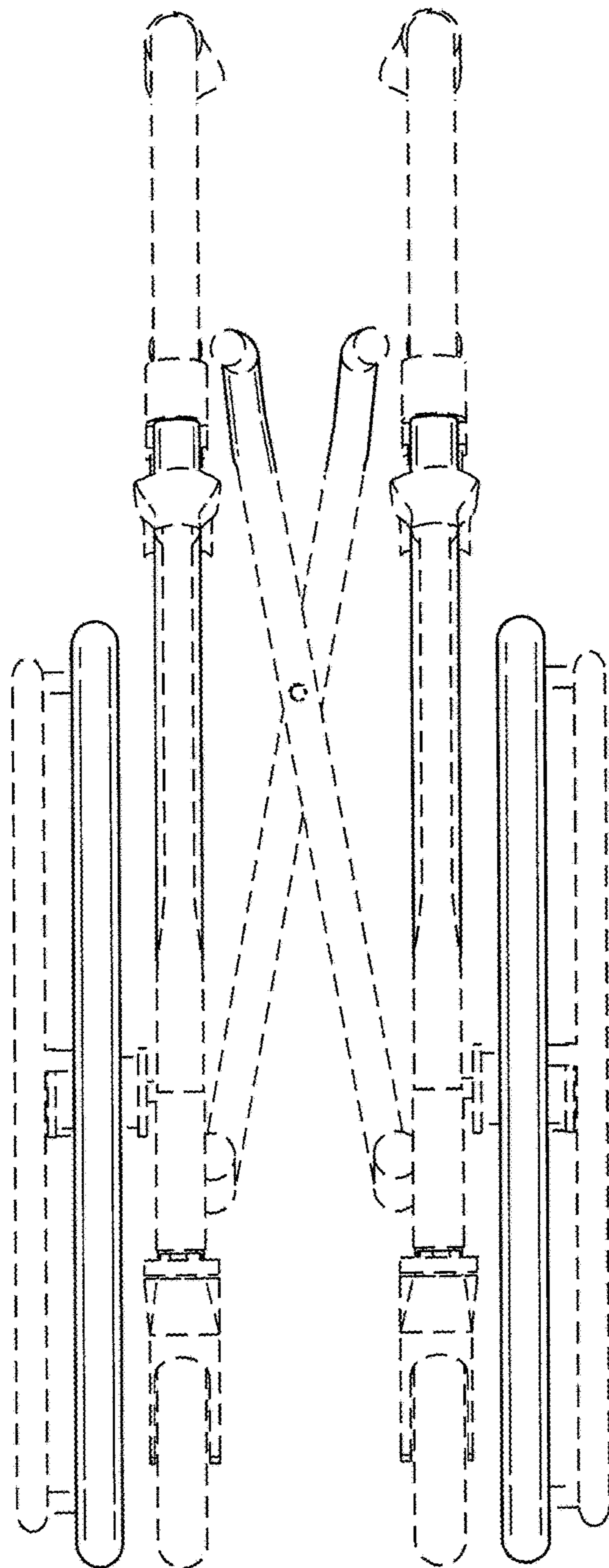


FIG. 2

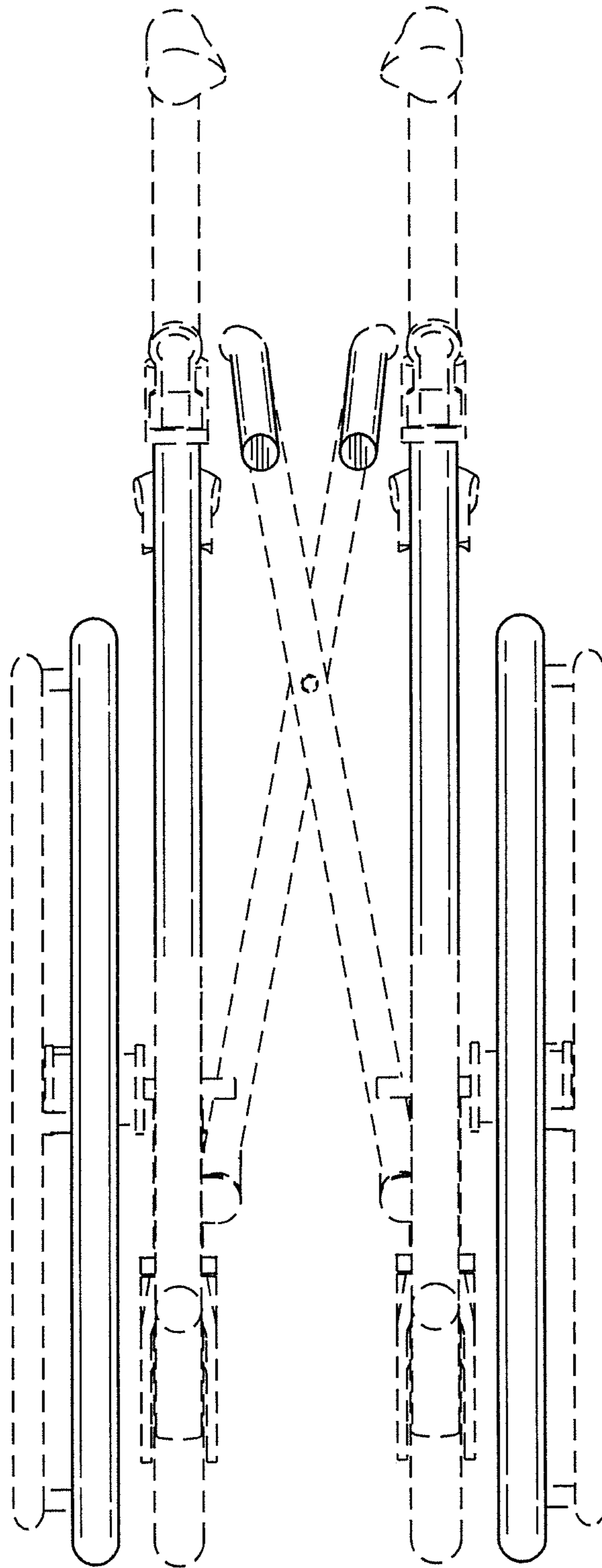


FIG. 3

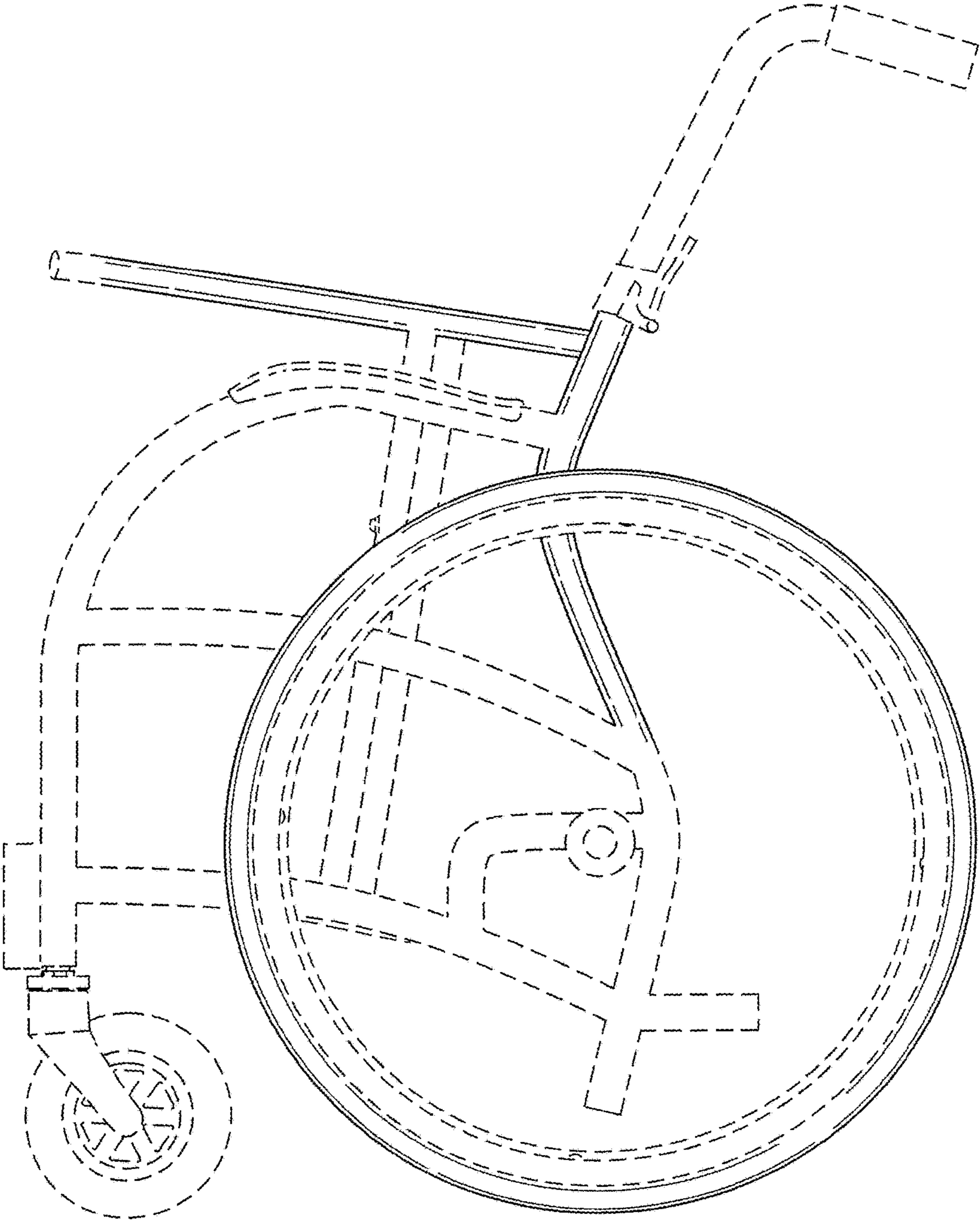


FIG. 4

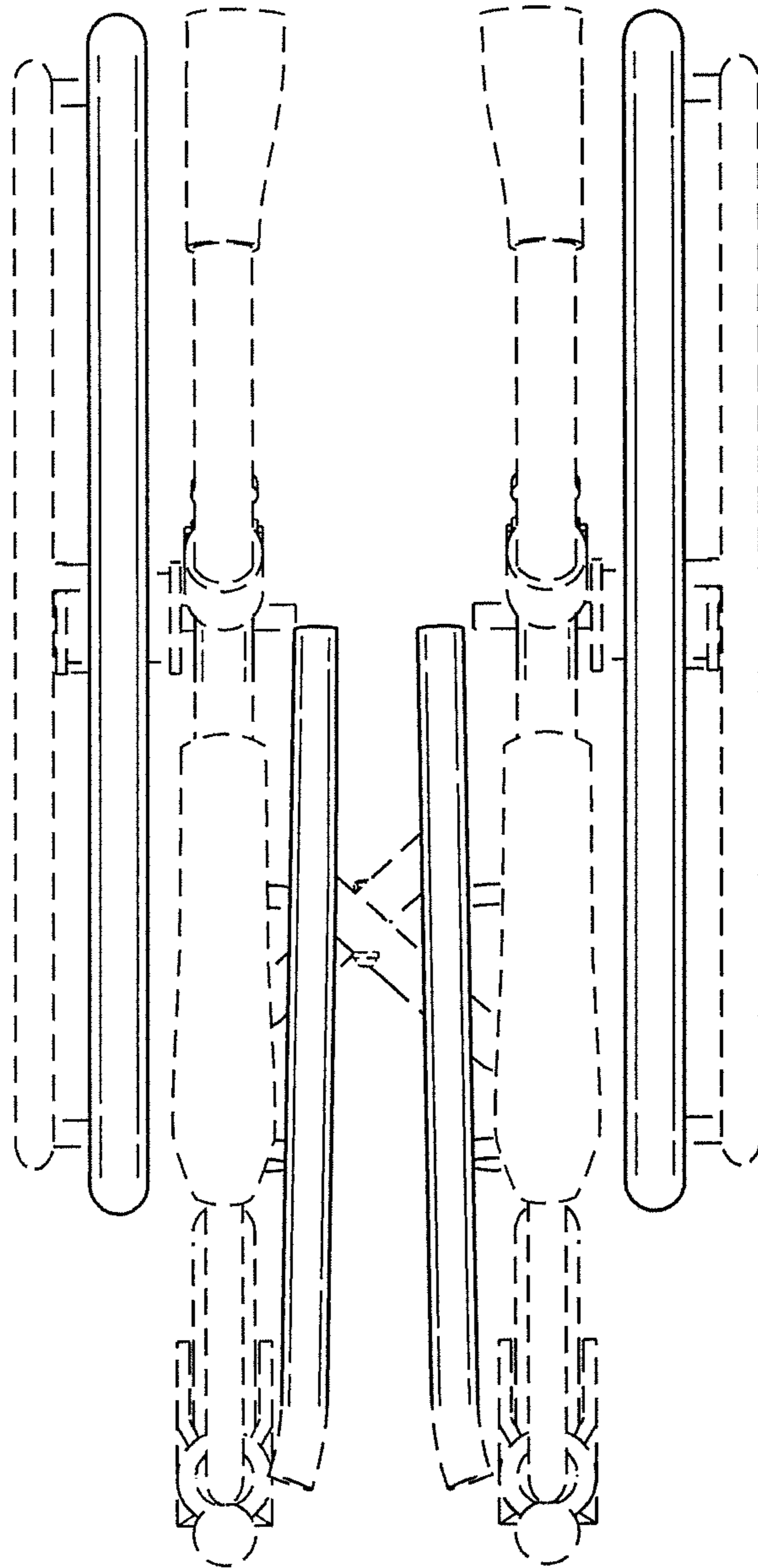


FIG. 5

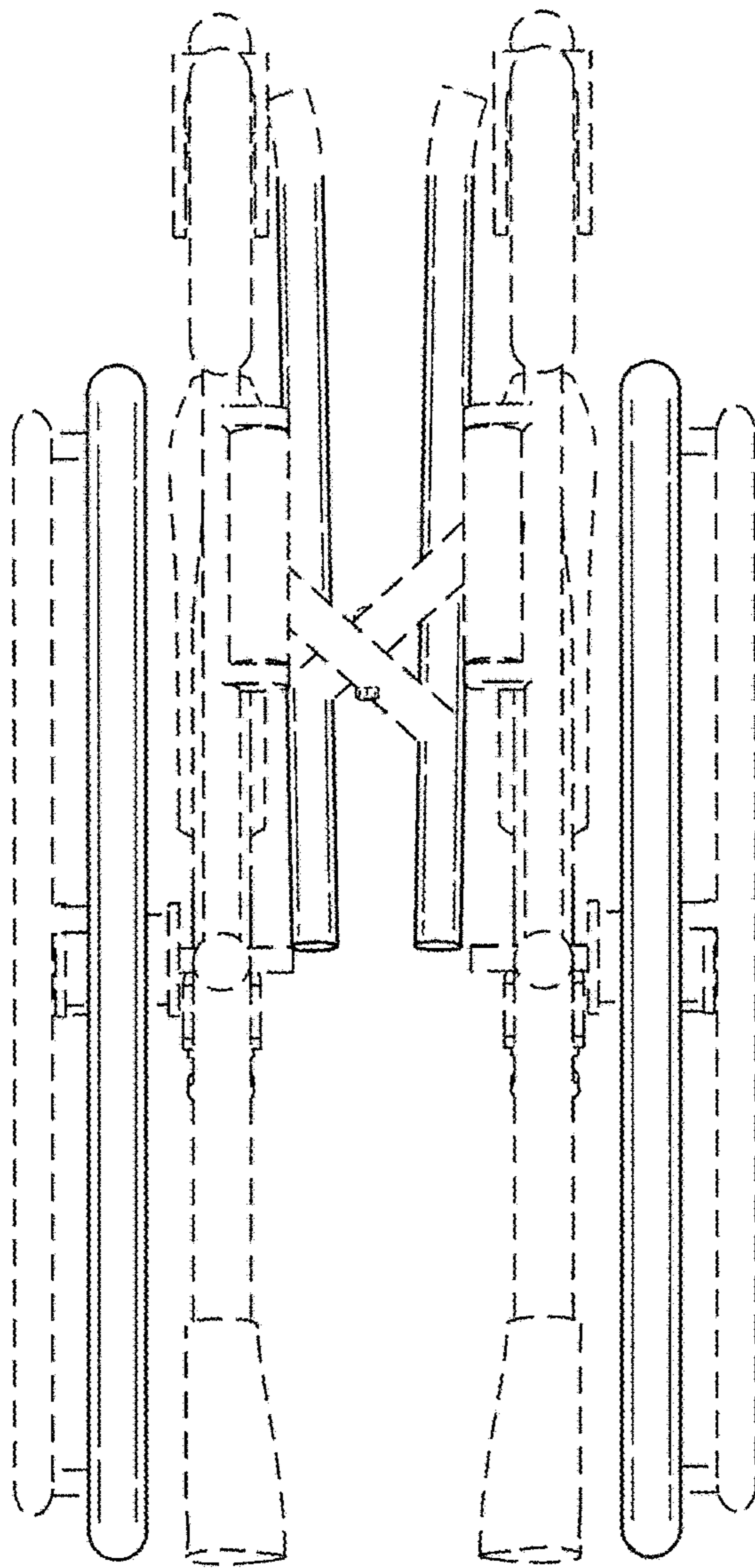


FIG. 6