



US00D856193S

(12) **United States Design Patent** (10) **Patent No.:** **US D856,193 S**
Nurnberger et al. (45) **Date of Patent:** **** Aug. 13, 2019**

(54) **AUTOMOBILE AND/OR REPLICA THEREOF**

(71) Applicant: **ASTON MARTIN LAGONDA LIMITED**, Warwick (GB)

(72) Inventors: **Miles Nurnberger**, Warwick (GB);
Marek Reichman, Warwick (GB);
Antonino Lo Re, Warwick (GB);
Adrian Newey, Milton Keynes (GB)

(73) Assignee: **Aston Martin Lagonda Limited** (GB)

(**) Term: **15 Years**

(21) Appl. No.: **29/626,415**

(22) Filed: **Nov. 16, 2017**

(30) **Foreign Application Priority Data**

May 18, 2017 (EM) 001459150-0001
May 18, 2017 (EM) 001459150-0012

(51) **LOC (12) Cl.** **12-08**

(52) **U.S. Cl.**
USPC **D12/88**

(58) **Field of Classification Search**
USPC D12/86, 90-92, 88; D21/424, 433, 434;
296/181.1-181.5, 183.1
CPC B62D 25/00; B62D 25/06; B62D 33/00;
B62D 35/00
See application file for complete search history.

(56) **References Cited**

U.S. PATENT DOCUMENTS

D620,396 S 7/2010 Reichman et al.
D626,466 S 11/2010 Reichman et al.
D629,718 S 12/2010 Reichman et al.
D629,719 S 12/2010 Reichman et al.
D629,725 S 12/2010 Reichman et al.
D630,140 S 1/2011 Reichman et al.
D670,640 S 11/2012 Reichman et al.

D687,348 S 8/2013 Nurnberger
D689,812 S 9/2013 Reichman et al.
D692,800 S 11/2013 Wiltshire
D704,102 S 5/2014 Nurnberger
D704,601 S 5/2014 Nurnberger
D726,079 S 4/2015 Reichman et al.
D727,804 S 4/2015 Nurnberger
D730,777 S 6/2015 Nurnberger
D739,789 S 9/2015 Payne
D740,725 S 10/2015 Payne
D758,247 S 6/2016 Nurnberger et al.
D766,474 S 9/2016 Holgate et al.
D772,128 S 11/2016 Platt

(Continued)

OTHER PUBLICATIONS

U.S. Appl. No. 29/542,940, filed Oct. 19, 2015, Kahn.
(Continued)

Primary Examiner — Melody N Brown
(74) *Attorney, Agent, or Firm* — Dorsey & Whitney LLP

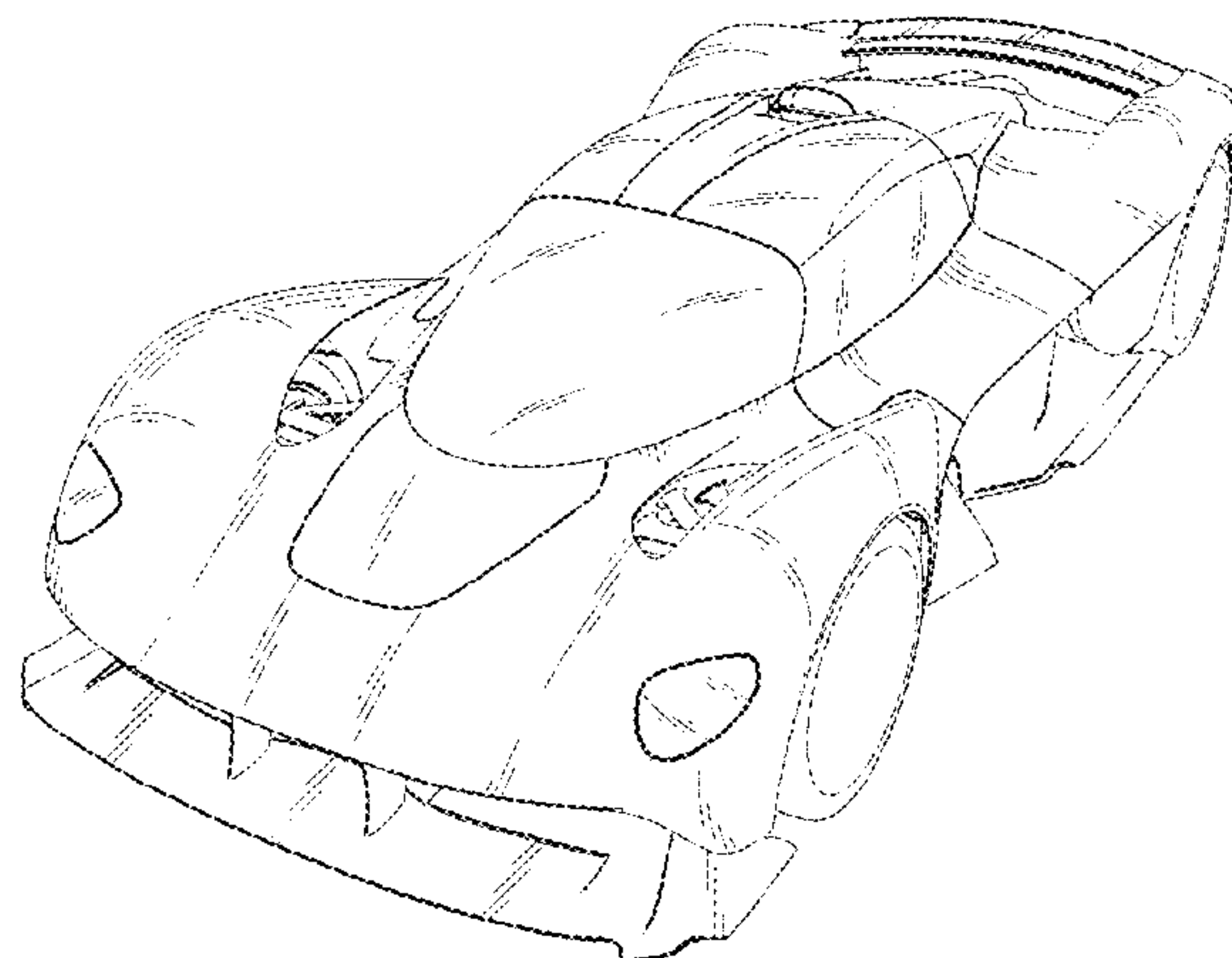
(57) **CLAIM**

The ornamental design for an automobile and/or replica thereof, as shown and described.

DESCRIPTION

FIG. 1 is a front elevation view of an automobile and/or replica thereof in accordance with the present design;
FIG. 2 is a rear elevation view thereof;
FIG. 3 is a top plan view thereof;
FIG. 4 is a bottom plan view thereof;
FIG. 5 is a right side elevation view thereof, the left side being a mirror image thereof;
FIG. 6 is a front perspective view thereof; and,
FIG. 7 is a rear perspective view thereof.
The broken lines shown throughout the drawing views are for illustrative purposes only and form no part of the claimed design.

1 Claim, 6 Drawing Sheets



(56)

References Cited

U.S. PATENT DOCUMENTS

D774,950 S 12/2016 Holgate et al.
 D774,995 S 12/2016 Holgate et al.
 D777,070 S 1/2017 Nurnberger
 D778,790 S 2/2017 Nurnberger
 D780,632 S 3/2017 Nurnberger
 D780,633 S 3/2017 Nurnberger et al.
 D780,634 S 3/2017 Nurnberger et al.
 D780,636 S 3/2017 Kahn
 D783,454 S * 4/2017 Qu D12/88
 D785,503 S * 5/2017 Qu D12/88
 D785,525 S 5/2017 Nurnberger
 D786,155 S 5/2017 Holgate et al.
 D786,744 S 5/2017 Nurnberger et al.
 D788,642 S * 6/2017 Manzoni D12/88
 D790,402 S * 6/2017 Perini D12/88
 D791,018 S * 7/2017 Mylenek D12/88
 D791,644 S * 7/2017 Fang D12/88
 D796,404 S 9/2017 Nurnberger
 D800,619 S 10/2017 Platt
 D801,558 S 10/2017 Nurnberger et al.
 D801,857 S * 11/2017 Kim D12/88
 D817,814 S * 5/2018 Nurnberger D12/88
 D837,097 S * 1/2019 Hawkins D12/88
 D839,133 S * 1/2019 Hilton D12/88

OTHER PUBLICATIONS

U.S. Appl. No. 29/573,909, filed Aug. 10, 2016, Cooper.
 U.S. Appl. No. 29/582,156, filed Oct. 25, 2016, Earley.
 U.S. Appl. No. 29/582,165, filed Oct. 25, 2016, Earley.

U.S. Appl. No. 29/582,167, filed Oct. 25, 2016, Earley.
 U.S. Appl. No. 29/582,170, filed Oct. 25, 2016, Earley.
 U.S. Appl. No. 29/583,268, filed Nov. 3, 2016, Nurnberger et al.
 U.S. Appl. No. 29/583,272, filed Nov. 3, 2016, Nurnberger et al.
 U.S. Appl. No. 29/583,278, filed Nov. 3, 2016, Nurnberger et al.
 U.S. Appl. No. 29/584,625, filed Nov. 16, 2016, Nurnberger et al.
 U.S. Appl. No. 29/584,629, filed Nov. 16, 2016, Nurnberger et al.
 U.S. Appl. No. 29/589,582, filed Jan. 3, 2017, Nurnberger et al.
 U.S. Appl. No. 29/589,583, filed Jan. 3, 2017, Nurnberger et al.
 U.S. Appl. No. 29/589,586, filed Jan. 3, 2017, Nurnberger et al.
 U.S. Appl. No. 29/589,618, filed Jan. 3, 2017, Nurnberger et al.
 U.S. Appl. No. 29/589,621, filed Jan. 3, 2017, Nurnberger et al.
 U.S. Appl. No. 29/595,005, filed Feb. 24, 2017, Nurnberger et al.
 U.S. Appl. No. 29/604,102, filed May 15, 2017, Nurnberger et al.
 U.S. Appl. No. 29/616,003, filed Sep. 1, 2017, Re et al.
 U.S. Appl. No. 29/616,006, filed Sep. 1, 2017, Re et al.
 U.S. Appl. No. 29/616,008, filed Sep. 1, 2017, Re et al.
 U.S. Appl. No. 29/616,010, filed Sep. 1, 2017, Re et al.
 U.S. Appl. No. 29/616,014, filed Sep. 1, 2017, Re et al.
 U.S. Appl. No. 29/621,813, filed Oct. 11, 2017, Nurnberger et al.
 U.S. Appl. No. 29/621,815, filed Oct. 11, 2017, Nurnberger et al.
 U.S. Appl. No. 29/626,411, filed Nov. 16, 2017, Nurnberger et al.
 U.S. Appl. No. 29/626,419, filed Nov. 16, 2017, Hill et al.
 U.S. Appl. No. 29/626,801, filed Nov. 20, 2017, Hill et al.
 U.S. Appl. No. 29/631,883, filed Jan. 3, 2018, Hill et al.
 U.S. Appl. No. 29/631,887, filed Jan. 3, 2018, Hill et al.
 Aston Martin 2013, "Aston Martin Centenary Celebration Programme," 2013; 204 pages.
 1976 and 1987 Aston Martin Lagonda, [online], [site visited Jul. 24, 2014], Available from Internet, <URL: <http://www.astomartin.com/heritage/past-models/lagonda>>, 2 pages.

* cited by examiner

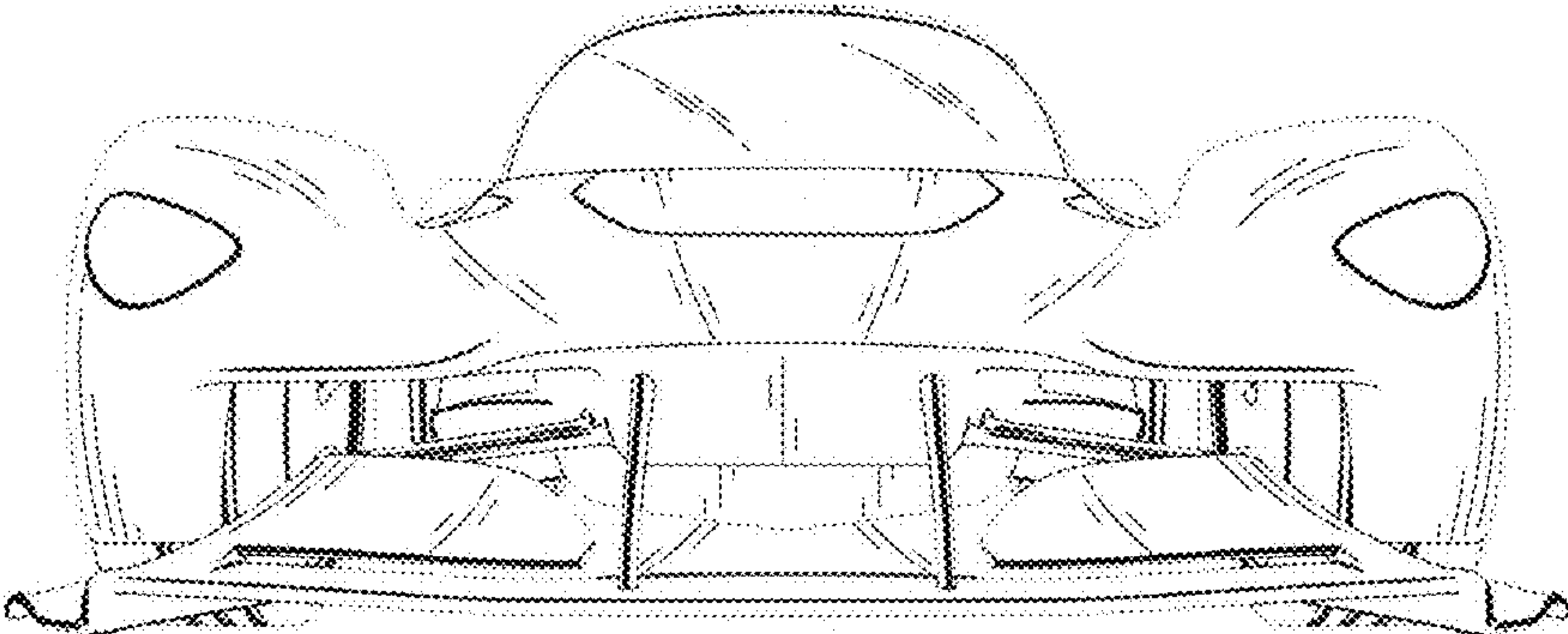


Fig. 1

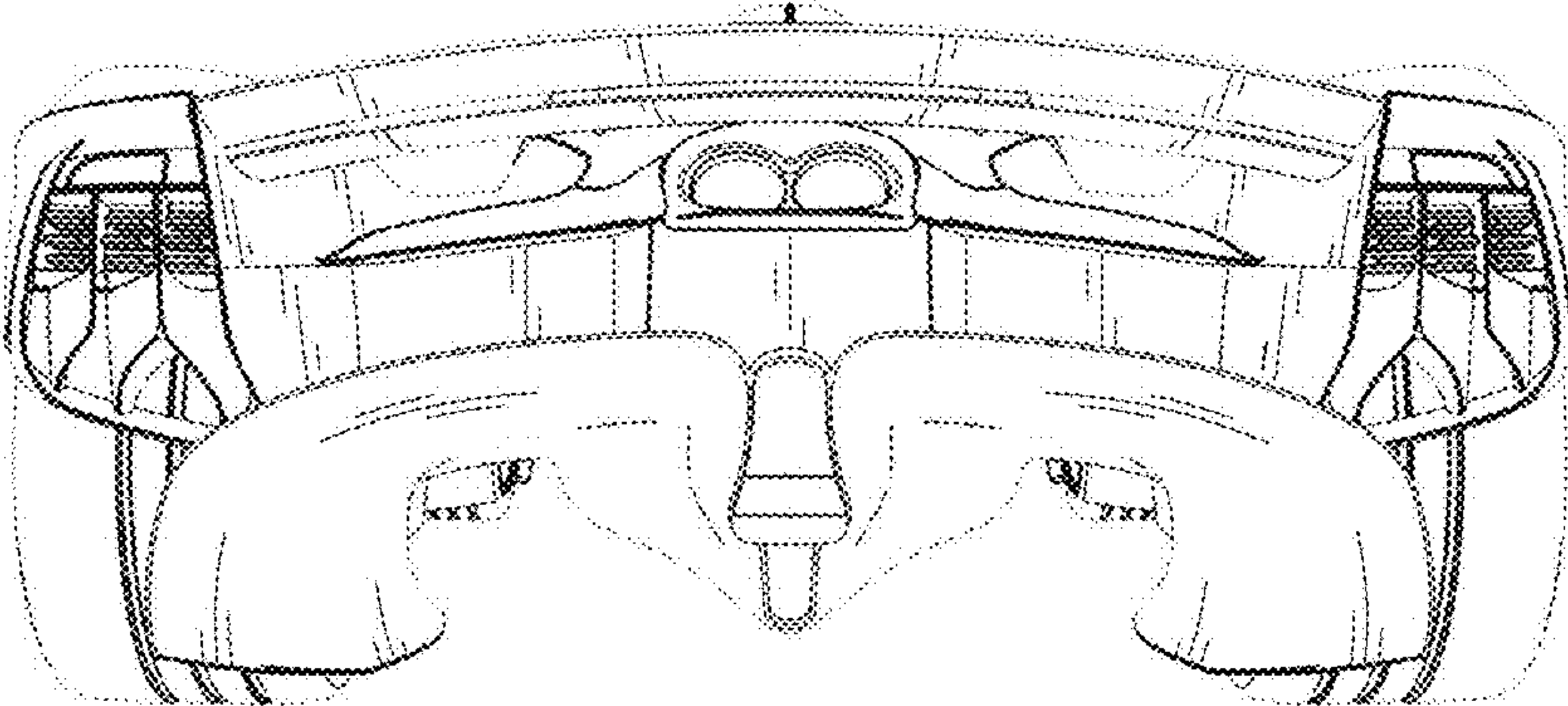


Fig. 2

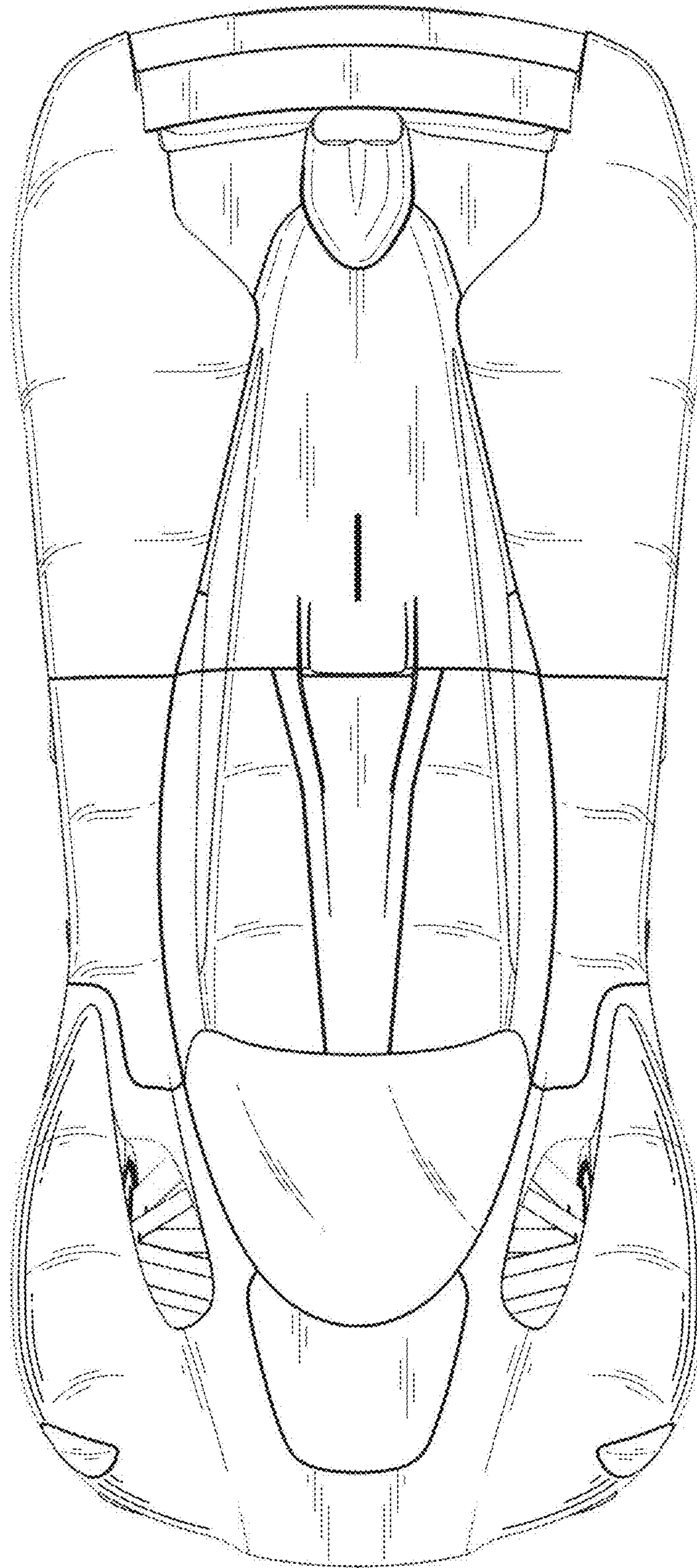


Fig. 3

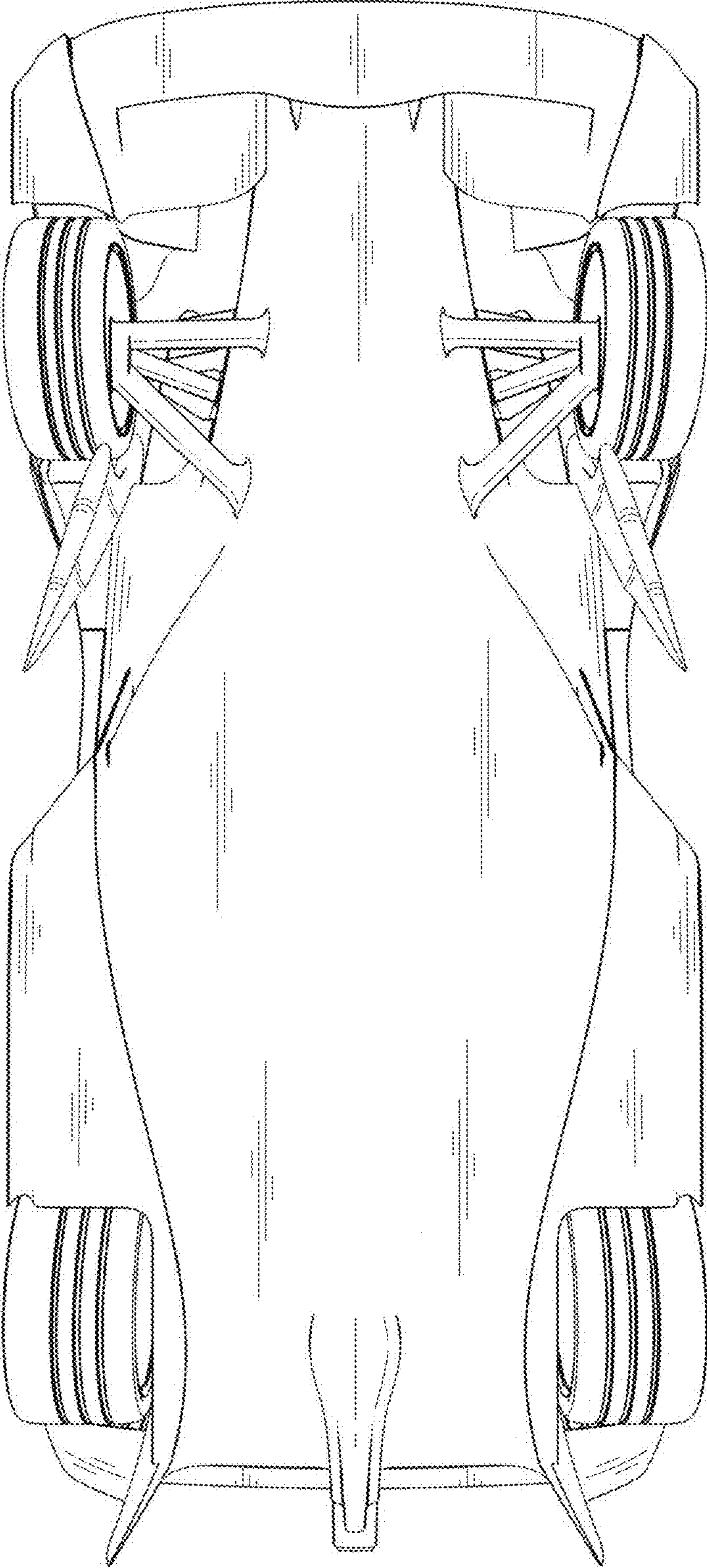


Fig. 4

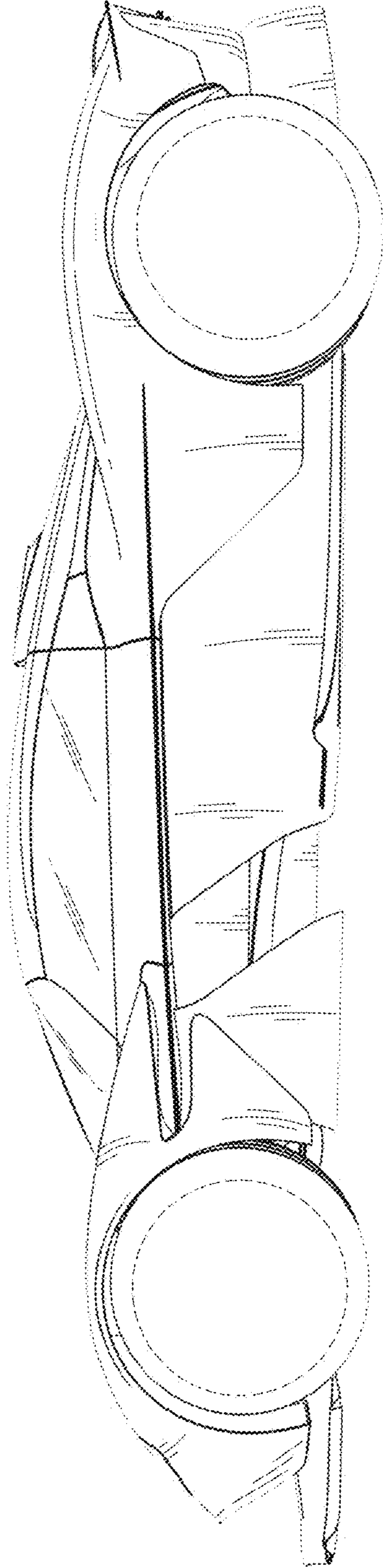


Fig. 5

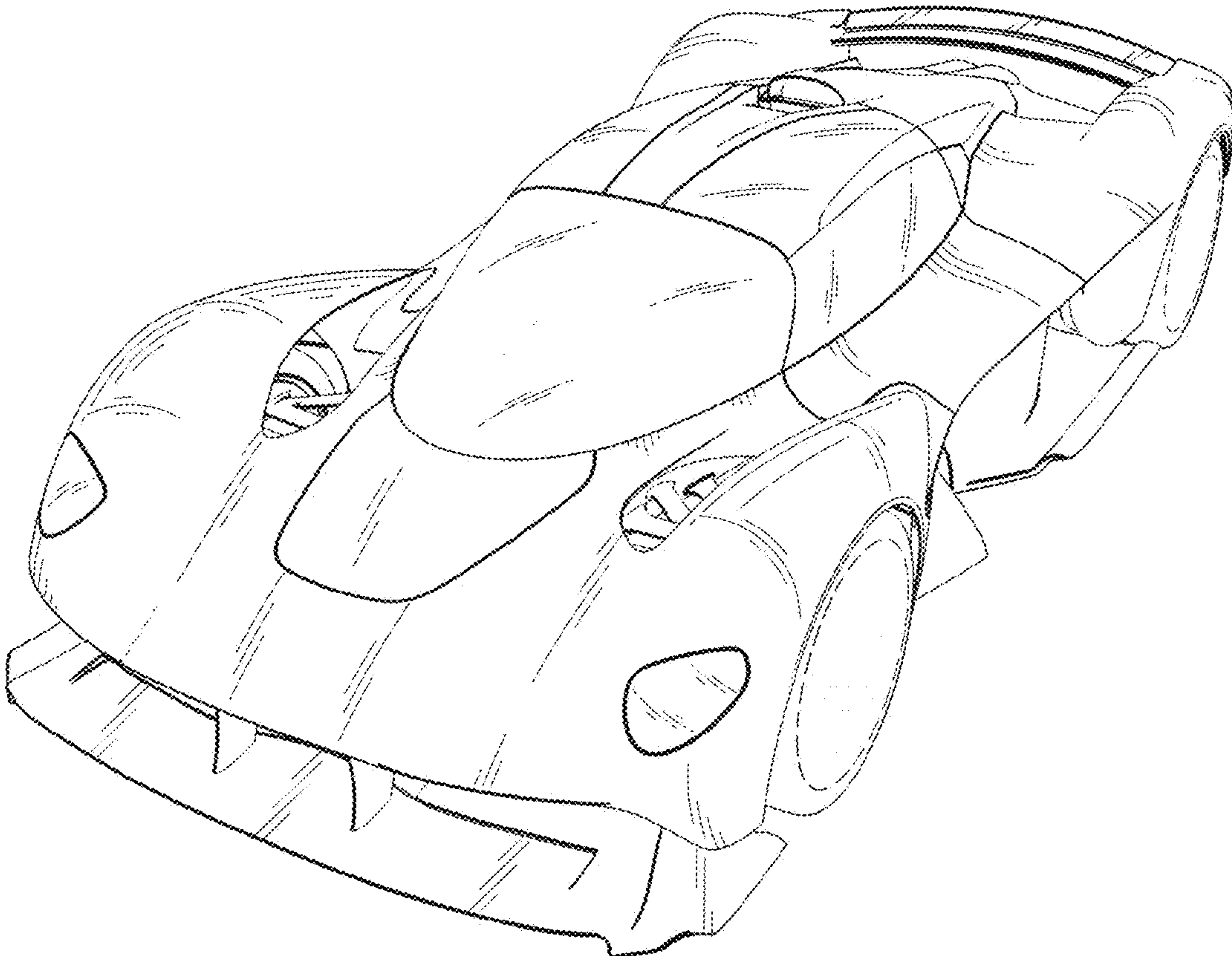


Fig. 6

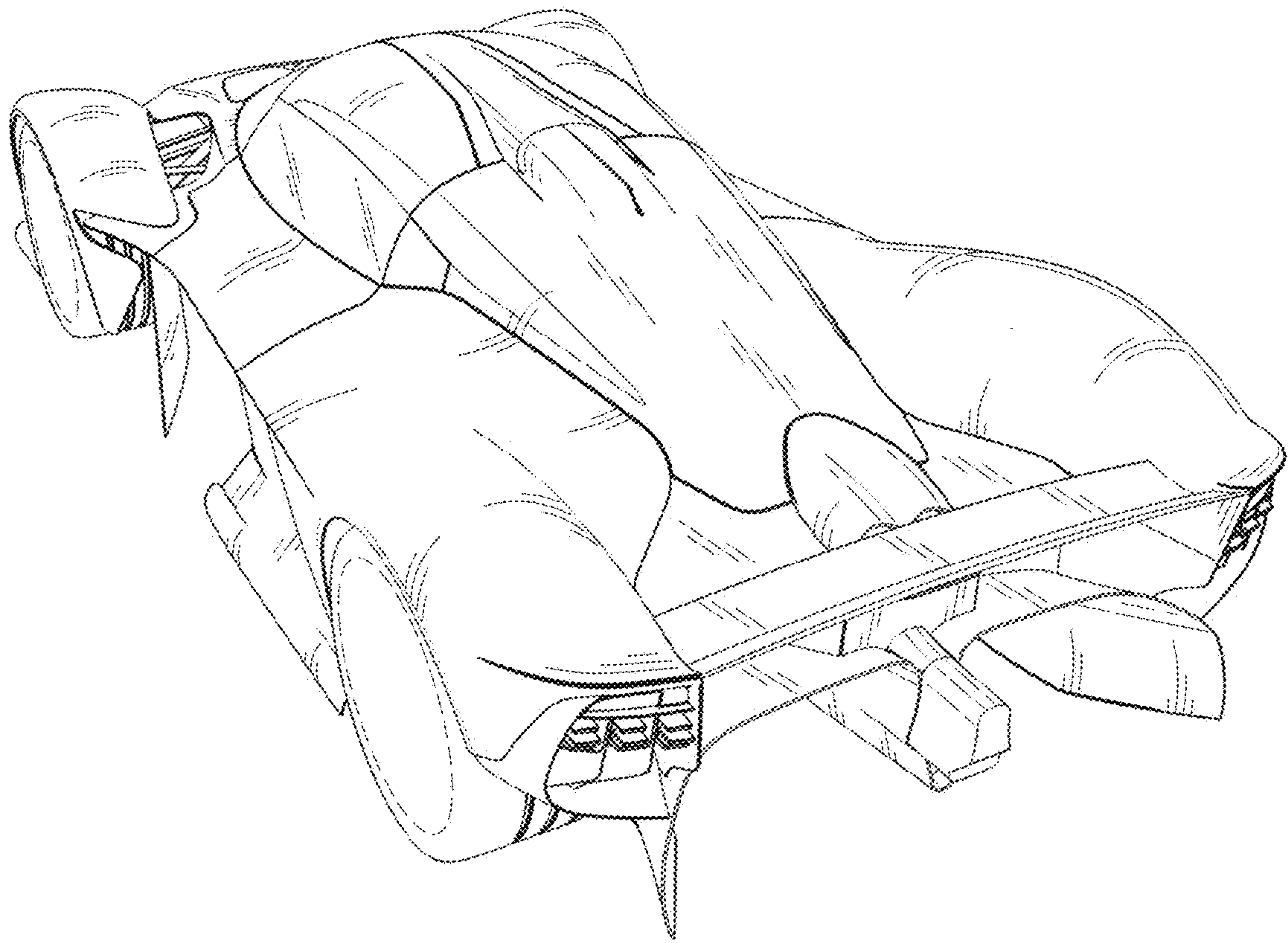


Fig. 7