



US00D856192S

(12) **United States Design Patent** (10) **Patent No.:** **US D856,192 S**  
**Yamada et al.** (45) **Date of Patent:** **\*\* Aug. 13, 2019**

(54) **MOTOR VEHICLE AND/OR TOY REPLICA THEREOF**

(71) Applicants: **Masayuki Yamada**, Tokyo (JP);  
**Laurent Jean Raymond Bouzige**, Nice (FR)

(72) Inventors: **Masayuki Yamada**, Tokyo (JP);  
**Laurent Jean Raymond Bouzige**, Nice (FR)

(73) Assignee: **TOYOTA JIDOSHA KABUSHIKI KAISHA** (JP)

(\*\*) Term: **15 Years**

(21) Appl. No.: **29/627,228**

(22) Filed: **Nov. 24, 2017**

(51) **LOC (12) Cl.** ..... **12-08**

(52) **U.S. Cl.**  
USPC ..... **D12/86**

(58) **Field of Classification Search**  
USPC ..... D12/84, 86, 90-93; D21/483, 533, 548,  
D21/552

CPC ..... B60Y 2306/01; B60K 11/085  
See application file for complete search history.

(56) **References Cited**

**U.S. PATENT DOCUMENTS**

D165,195 S \* 11/1951 Schlumbohm ..... 296/181.1  
D563,831 S \* 3/2008 Suge ..... D12/84  
D599,703 S \* 9/2009 Tamiya ..... D12/91  
D800,017 S \* 10/2017 Sapet ..... D12/86

**FOREIGN PATENT DOCUMENTS**

TR 094736-0001 \* 4/2017

**OTHER PUBLICATIONS**

<http://www.thedrive.com/sheetmetal/17487/toyota-unveils-e-palette-alliance-and-concept-vehicle-at-ces> Jan. 8, 2018 (Year: 2018).\*  
<https://www.youtube.com/watch?v=9pQ1Rgxc3b8> Jan. 10, 2018 (Year: 2018).\*  
<https://localmotors.com/meet-olli/> Jun. 2017 (Year: 2017).\*  
<https://www.youtube.com/watch?v=LaiB33zSB4Y> Jun. 20, 2016 (Year: 2016).\*  
Toyota, Toyota Fun-vii (2011), <[http://www.toyota.co.jp/jpn/auto/toyota\\_design/concept\\_cars/concept\\_car\\_gallery\\_fun-vii.html](http://www.toyota.co.jp/jpn/auto/toyota_design/concept_cars/concept_car_gallery_fun-vii.html)>, available as early as Nov. 28, 2011.  
Autocar Japan, Volkswagen Sedic (2017), <<https://www.autocar.jp/news/2017/03/07/209519/>>, available as early as Mar. 17, 2017.  
Easymile, EasyMile EZ10, <<http://easymile.com/mobility-solution/>>, available as early as Nov. 1, 2014.

\* cited by examiner

*Primary Examiner* — Leanne Was-Englehart  
(74) *Attorney, Agent, or Firm* — Saidman DesignLaw Group, LLC

(57) **CLAIM**

The ornamental design for a motor vehicle and/or toy replica thereof, as shown and described.

**DESCRIPTION**

FIG. 1 is a front left perspective view of a motor vehicle and/or toy replica thereof showing our new design;  
FIG. 2 is a rear left perspective view thereof;  
FIG. 3 is a front view thereof;  
FIG. 4 is a rear view thereof;  
FIG. 5 is a left side view thereof;  
FIG. 6 is a right side view thereof; and,  
FIG. 7 is a top view thereof.  
The area within the broken lines forms no part of the claimed design.

**1 Claim, 7 Drawing Sheets**

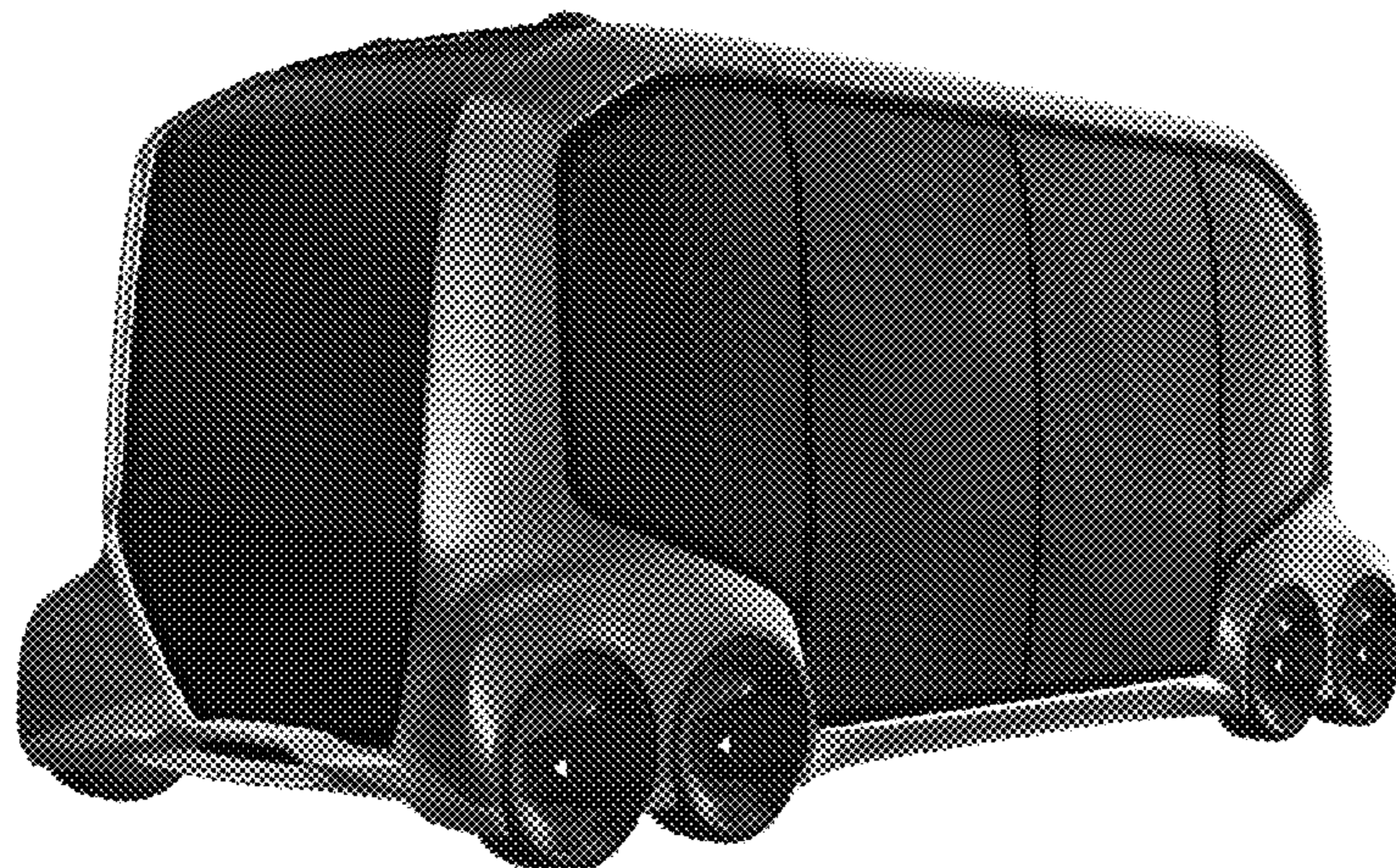






FIG. 1



FIG. 2



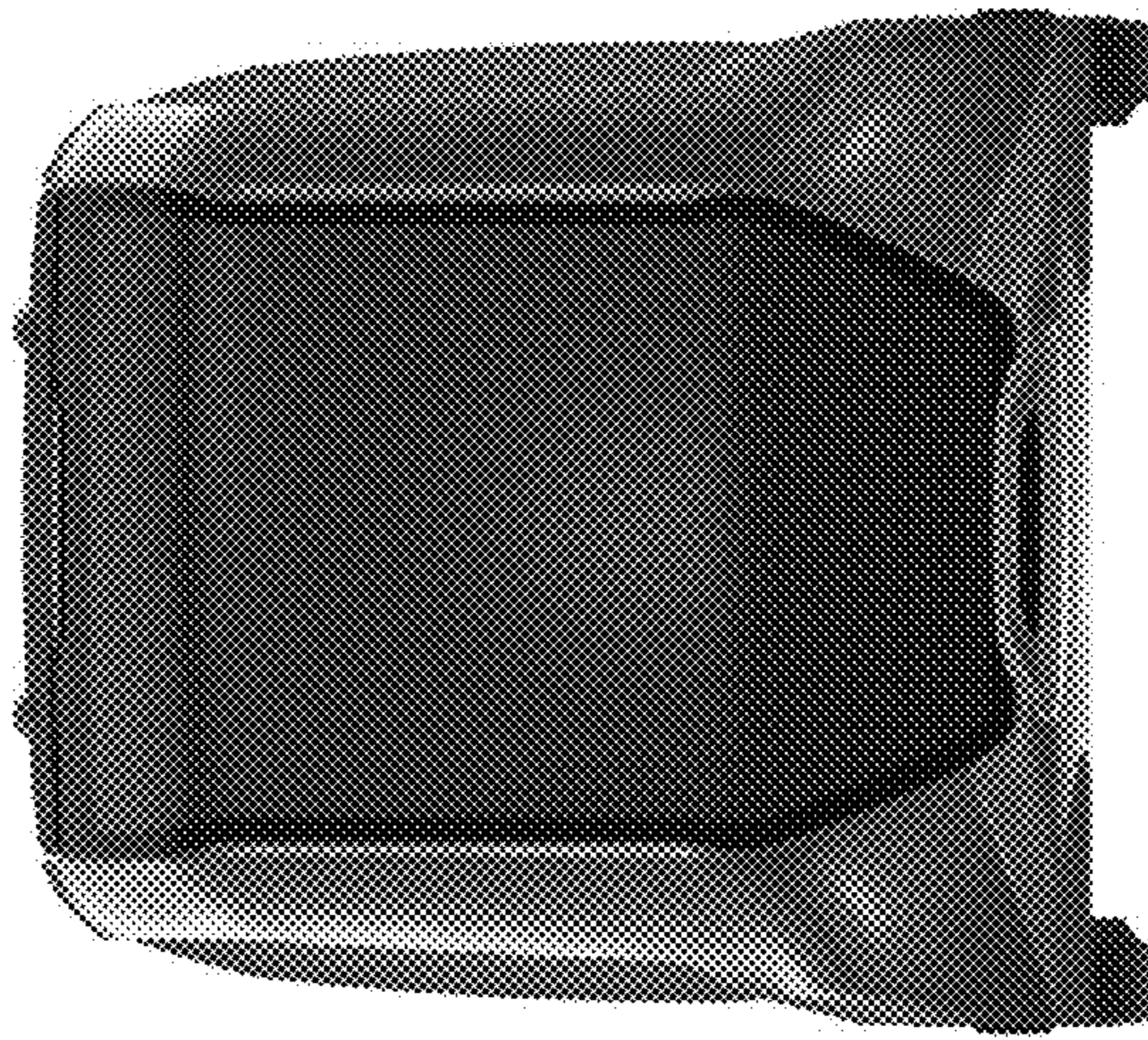


FIG. 3

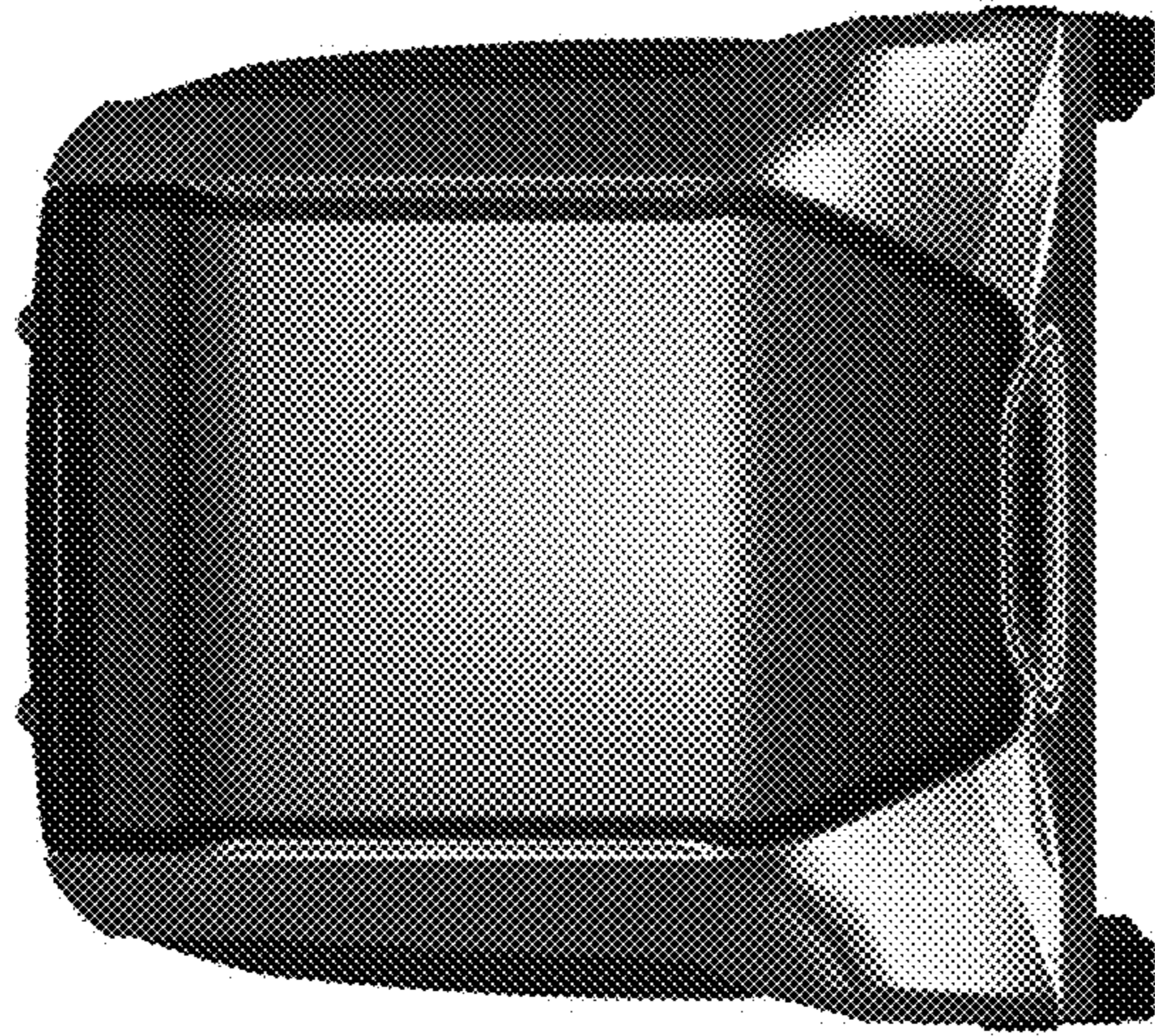


FIG. 4



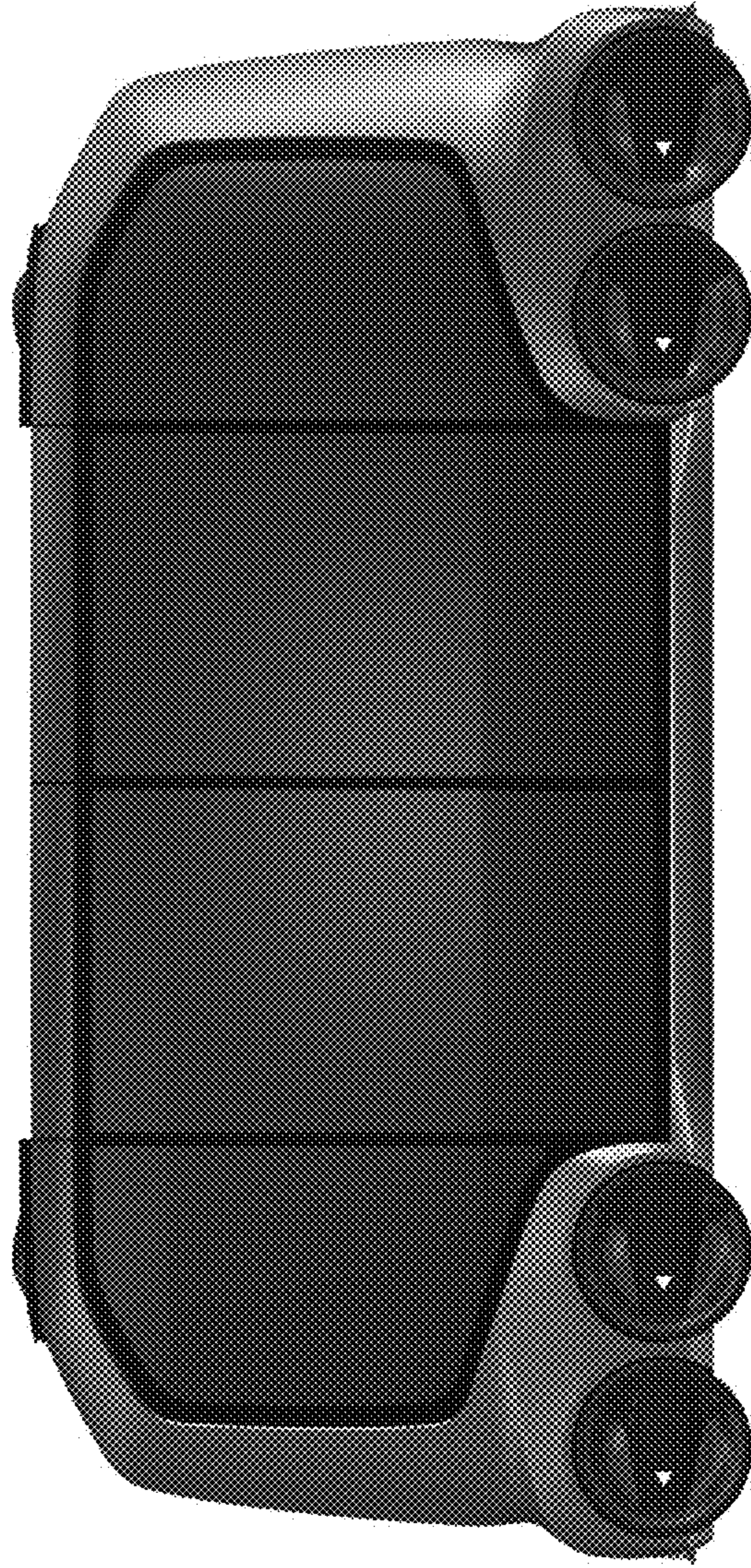


FIG. 5



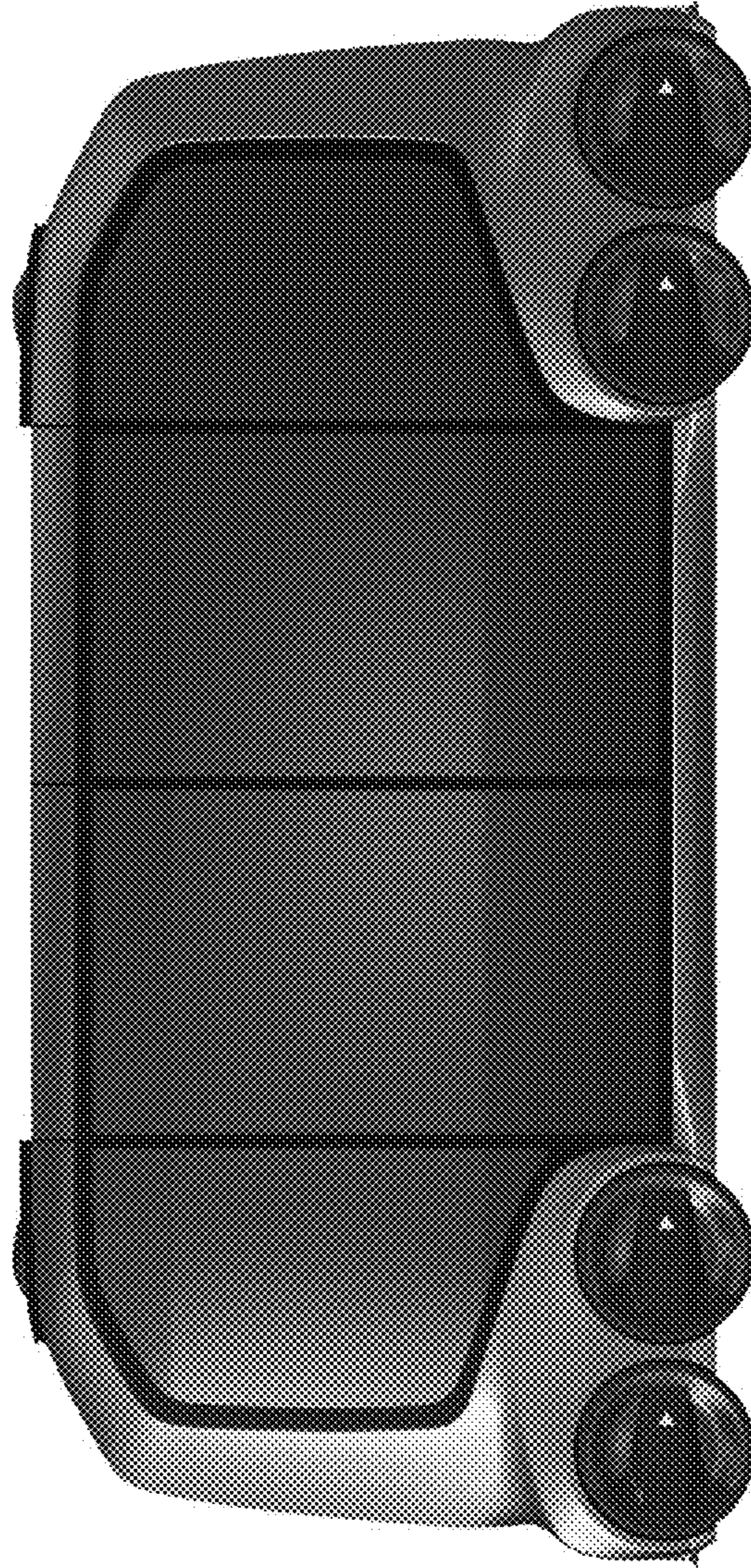


FIG. 6



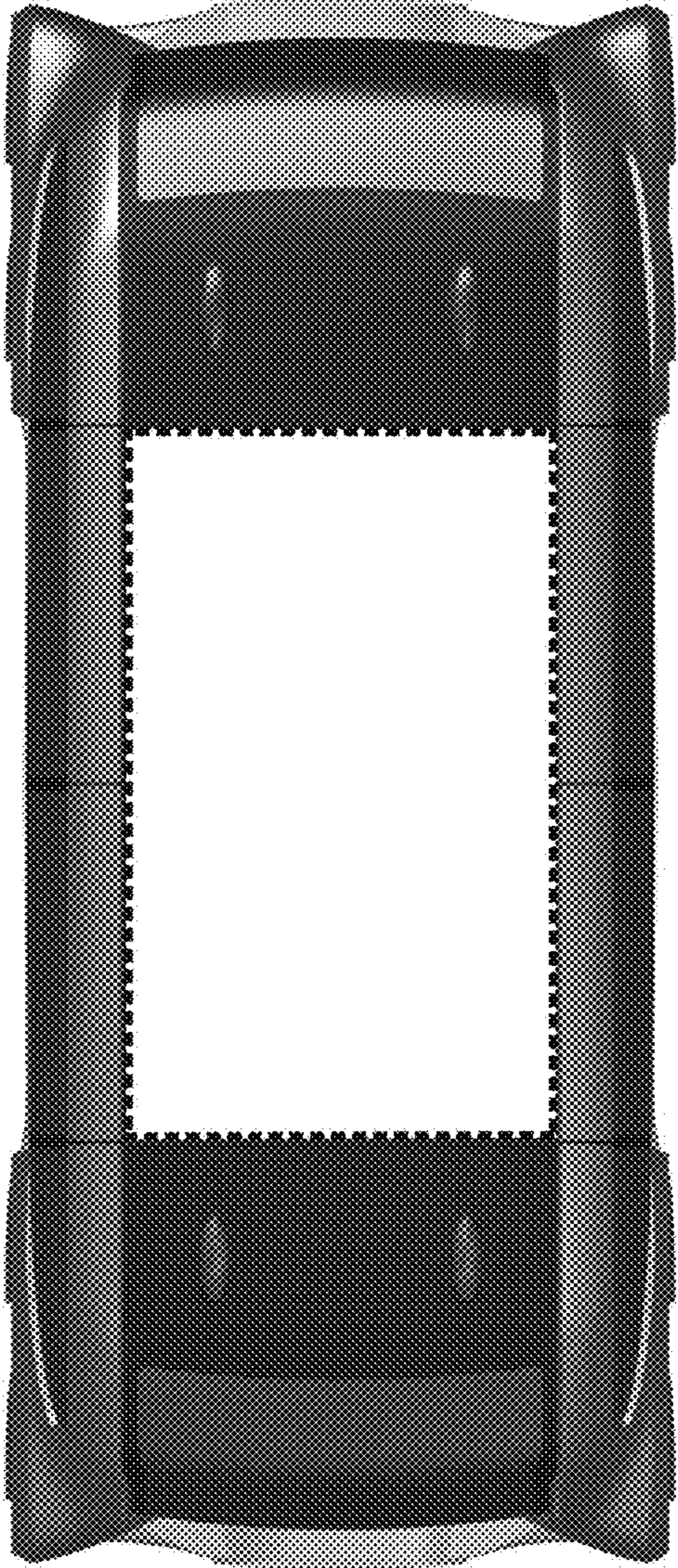


FIG. 7