



US00D856191S

(12) **United States Design Patent**
Tonnies

(10) **Patent No.:** **US D856,191 S**

(45) **Date of Patent:** **** Aug. 13, 2019**

- (54) **ARTICULATED CONNECTOR**
- (71) Applicant: **Amsted Rail Company, Inc.**, Chicago, IL (US)
- (72) Inventor: **Joshua Tonnies**, Granite City, IL (US)
- (73) Assignee: **Amsted Rail Company, Inc.**, Chicago, IL (US)
- (**) Term: **15 Years**
- (21) Appl. No.: **29/636,977**
- (22) Filed: **Feb. 13, 2018**
- (51) **LOC (12) Cl.** **12-03**
- (52) **U.S. Cl.**
USPC **D12/48**
- (58) **Field of Classification Search**
USPC D12/36, 42, 43, 48, 49, 50, 51; D8/382
CPC .. B23K 37/00; B23P 6/00; B61G 1/28; B61G 7/10; B61G 5/02; B61G 5/04
See application file for complete search history.

- 5,560,503 A * 10/1996 Daugherty, Jr. B61G 5/02
213/188
- 5,809,898 A * 9/1998 Kaufhold B61G 5/02
105/3
- 7,360,318 B2 * 4/2008 Brueckert B23P 6/00
33/1 Q
- 8,978,260 B2 * 3/2015 Brueckert B23K 31/02
33/501.05
- 2003/0037422 A1 * 2/2003 Brueckert B23P 6/00
29/402.18
- 2013/0206742 A1 * 8/2013 Brueckert B23K 31/02
219/136
- 2018/0009452 A1 * 1/2018 Wang B61G 5/02
- 2018/0215399 A1 * 8/2018 Richter B61G 5/02

* cited by examiner

Primary Examiner — T Chase Nelson
Assistant Examiner — Ania Aman
 (74) *Attorney, Agent, or Firm* — Harness, Dickey & Pierce, P.L.C.

(57) **CLAIM**

The ornamental design for an articulated connector, as shown and described.

(56) **References Cited**

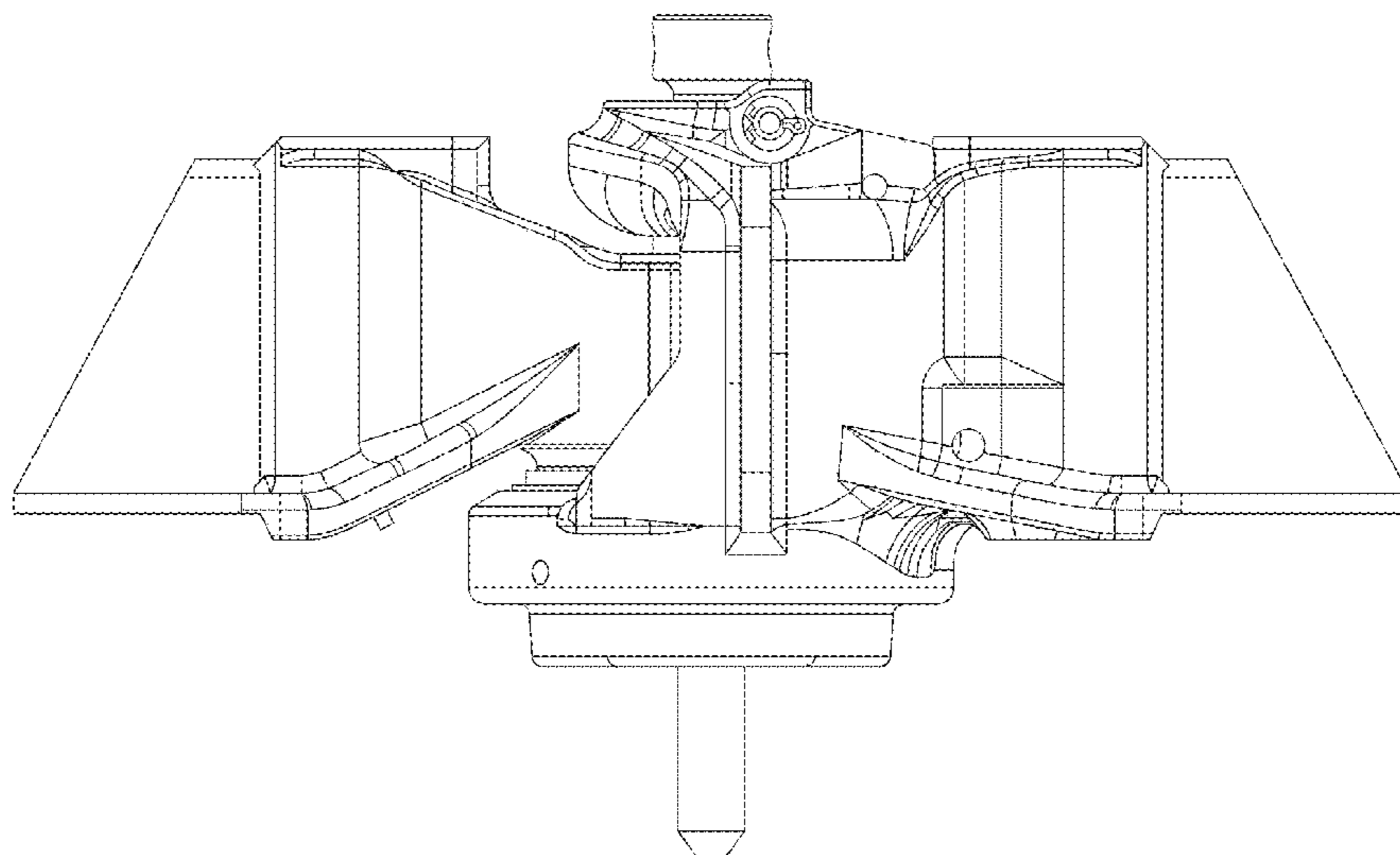
U.S. PATENT DOCUMENTS

- 4,531,648 A * 7/1985 Paton B61G 7/10
213/50
- 4,593,829 A * 6/1986 Altherr B61G 1/28
105/4.1
- 4,867,071 A * 9/1989 Weber B61D 3/10
105/4.1
- 5,097,973 A * 3/1992 Spencer B61G 5/02
213/50
- 5,105,955 A * 4/1992 Hawryszkow B61G 5/02
105/4.1
- 5,133,467 A * 7/1992 Hawthorne B61G 1/28
213/50

DESCRIPTION

FIG. 1 is a front elevation of the articulated connector;
 FIG. 2 is a rear elevation view of the articulated connector;
 FIG. 3 is a top plan view of the articulated connector
 FIG. 4 is a bottom plan view of the articulated connector;
 FIG. 5 is a left end elevation view of the articulated connector; and,
 FIG. 6 is a right end elevation view of the articulated connector.
 The broken lines show environmental structure and form no part of the claimed design.

1 Claim, 6 Drawing Sheets



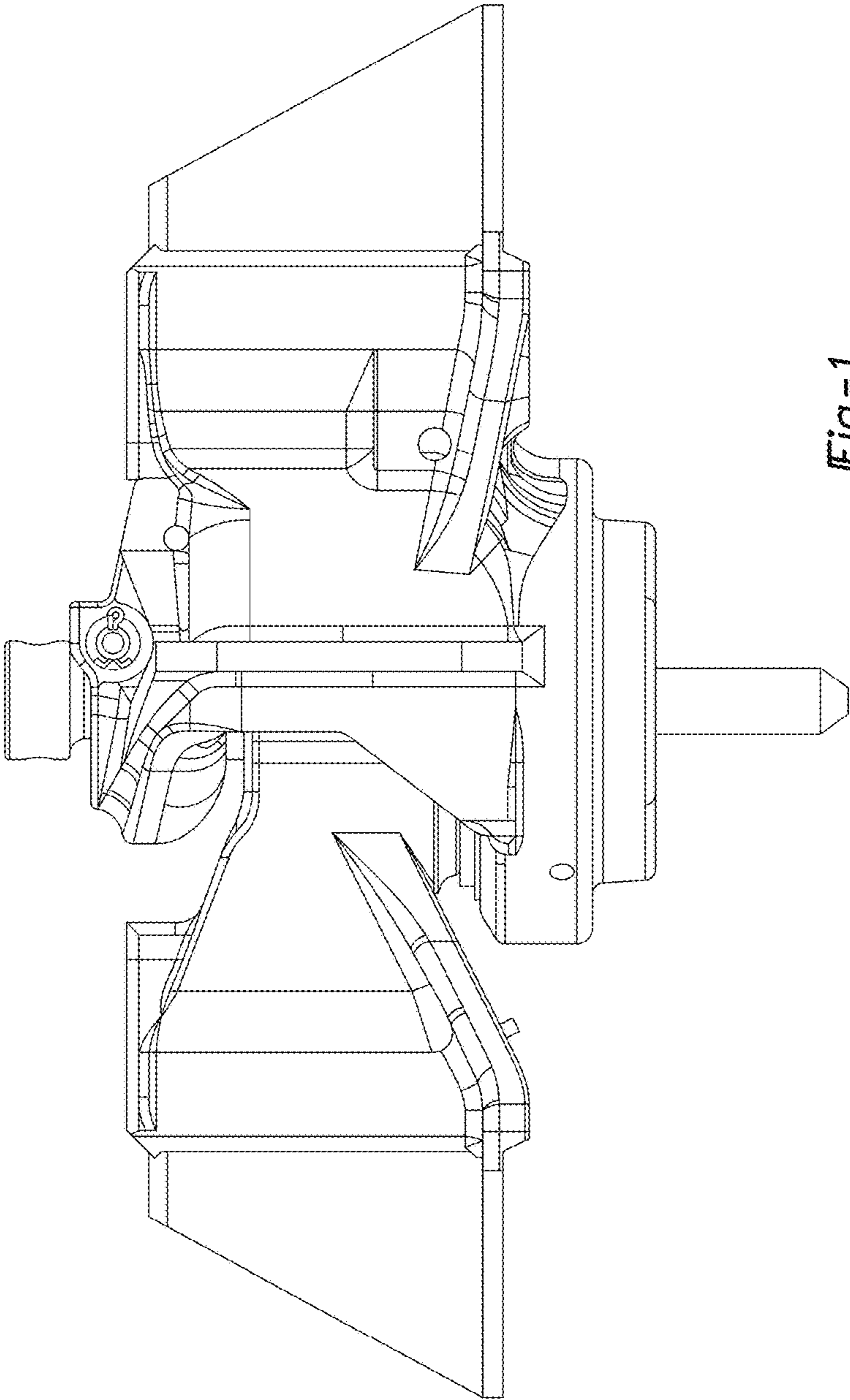


Fig-1

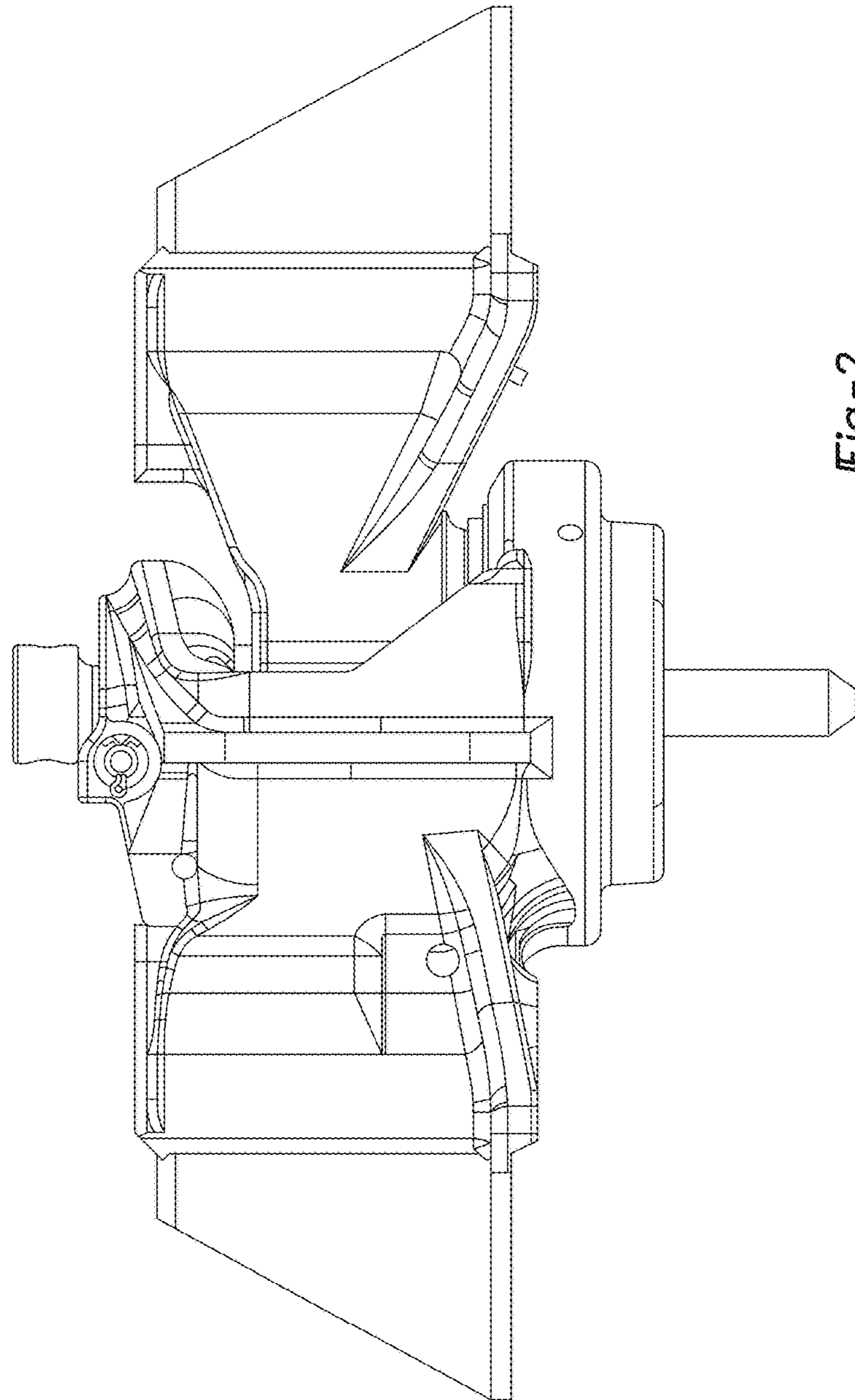


Fig-2

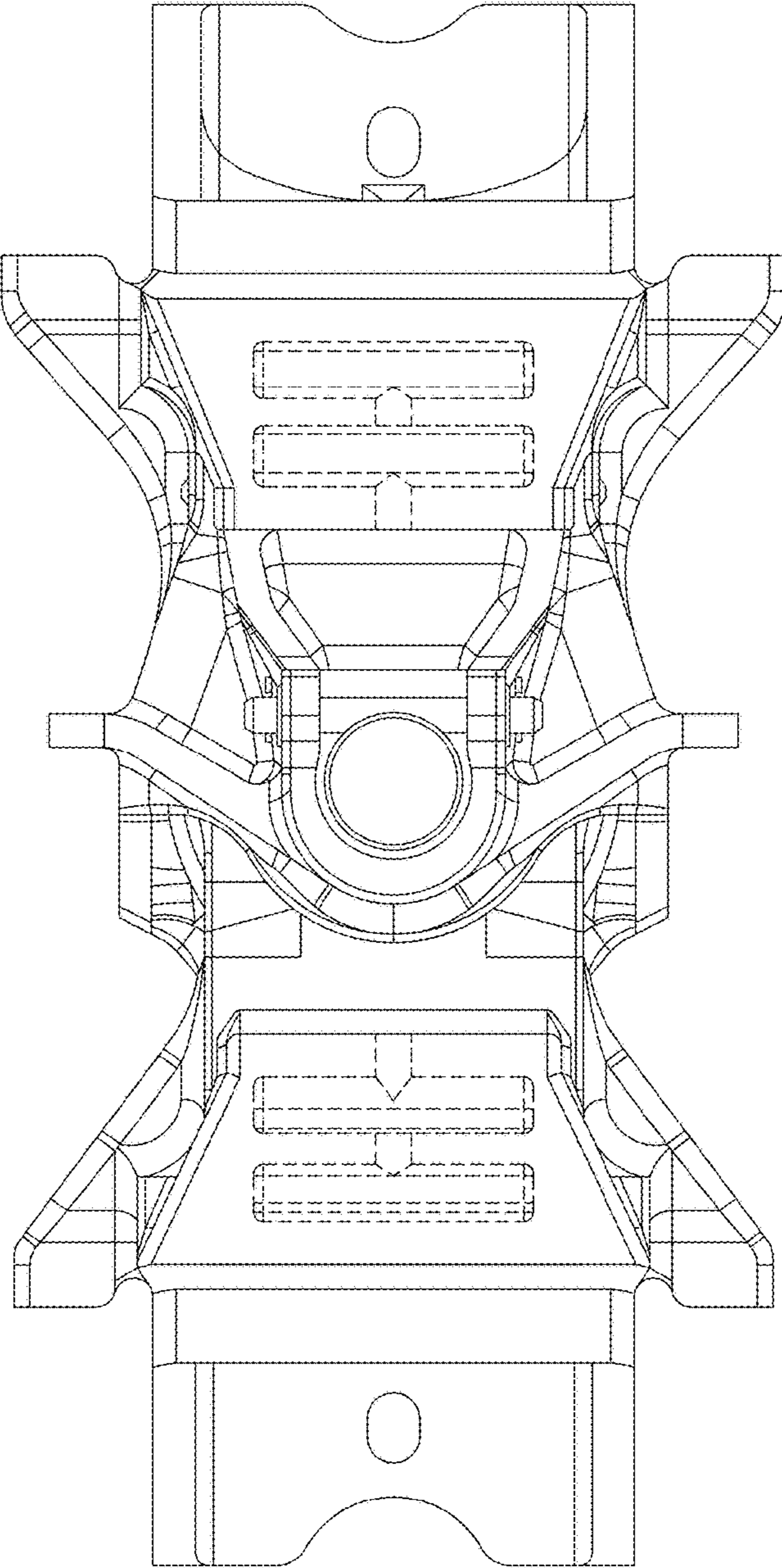


Fig-3

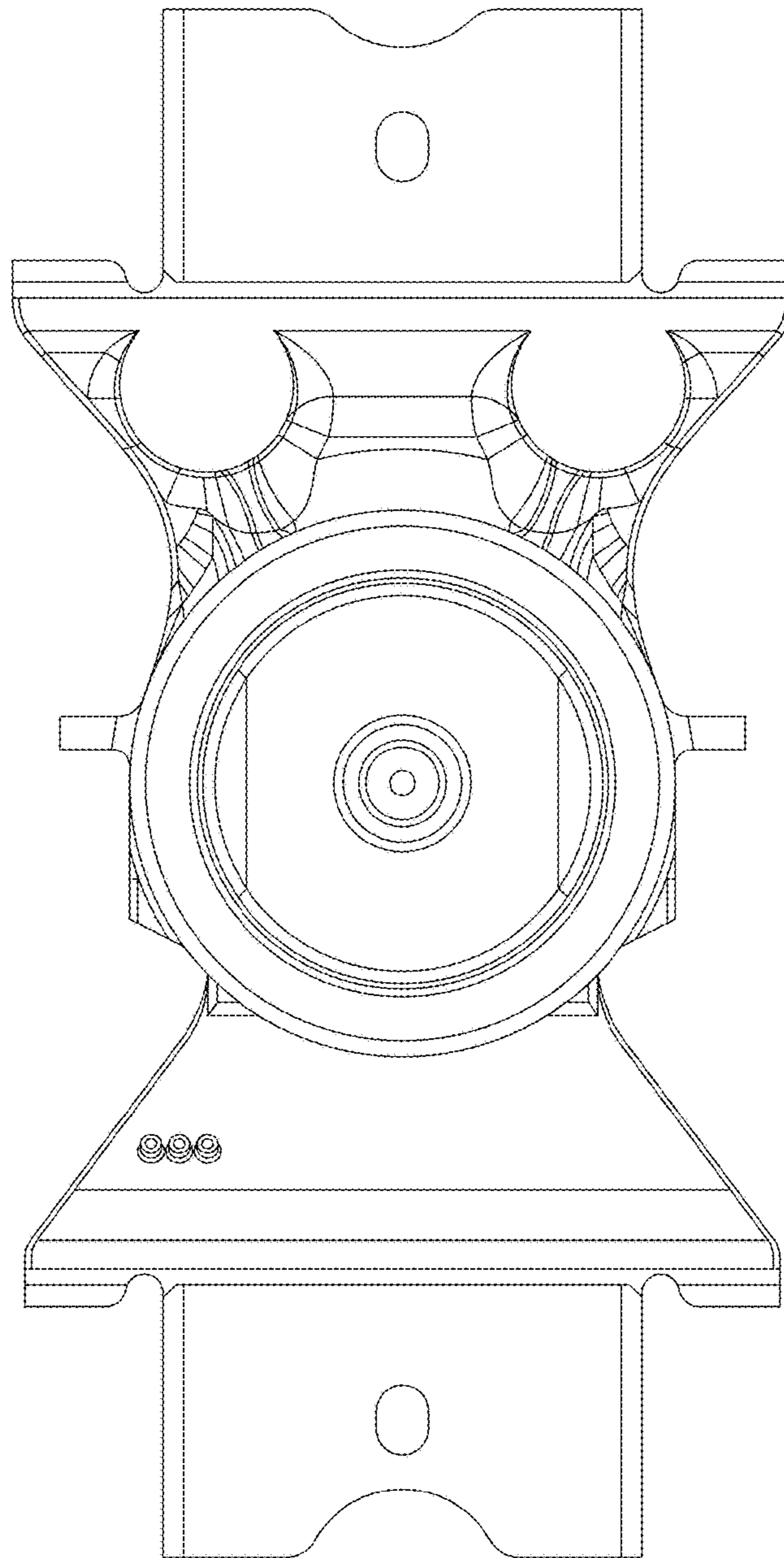


Fig-4

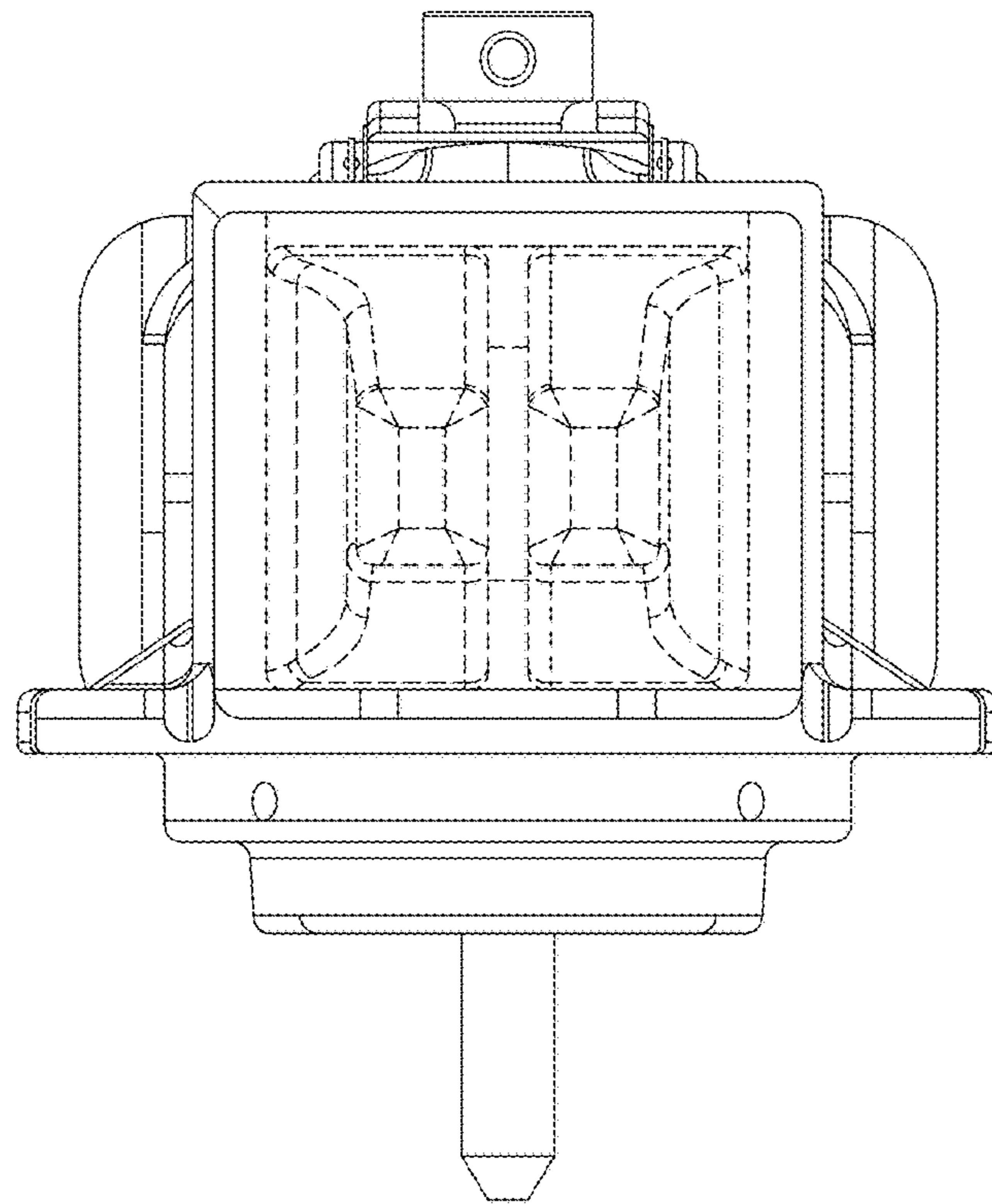


Fig-5

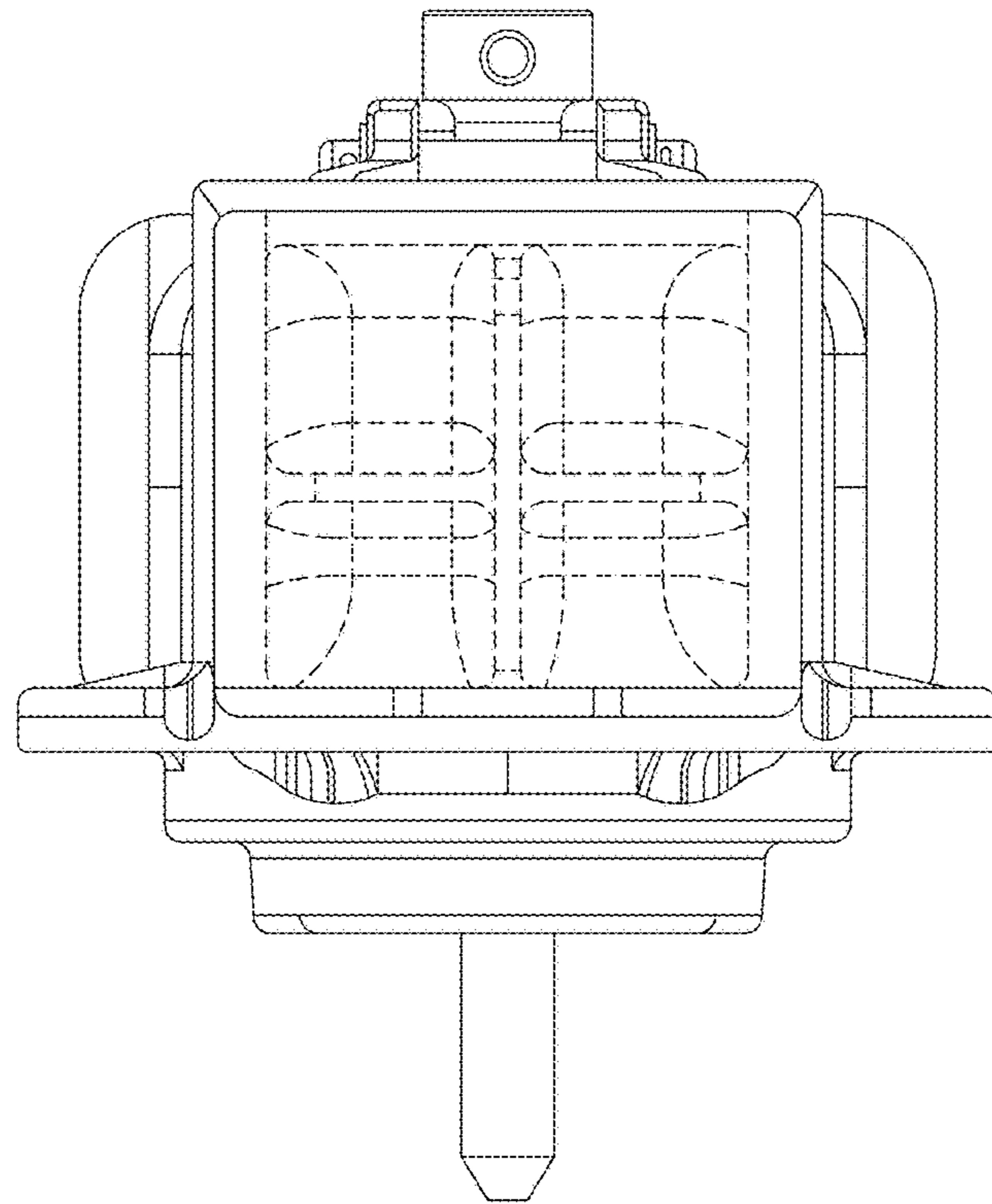


Fig-6