



US00D856190S

(12) **United States Design Patent** (10) **Patent No.:** **US D856,190 S**  
**Dumas** (45) **Date of Patent:** **\*\* Aug. 13, 2019**

(54) **BELT BUCKLE**  
(71) Applicant: **HERMES SELLIER (SOCIÉTÉ PAR ACTIONS SIMPLIFIÉE)**, Paris (FR)  
(72) Inventor: **Pierre-Alexis Dumas**, Paris (FR)  
(\*\*) Term: **15 Years**  
(21) Appl. No.: **35/504,540**  
(22) Filed: **Feb. 22, 2018**

D98,547 S \* 2/1936 Putman ..... D11/236  
D99,174 S \* 3/1936 Freysinger ..... D11/232  
D135,154 S \* 3/1943 Huff ..... D11/231  
D348,846 S \* 7/1994 Dumas ..... D10/39  
D348,847 S \* 7/1994 Dumas ..... D10/125  
D473,803 S \* 4/2003 d'Origny ..... D10/39  
D536,281 S \* 2/2007 Mouquet ..... D11/234  
D538,199 S \* 3/2007 Mouquet ..... D11/231  
D556,081 S \* 11/2007 Mouquet ..... D11/87  
D556,634 S \* 12/2007 Koroluk ..... D11/231  
D613,938 S \* 4/2010 Alexander ..... D2/976  
D830,227 S \* 10/2018 Mouquet ..... D11/231

(80) **Hague Agreement Data**  
Int. Filing Date: **Feb. 22, 2018**  
Int. Reg. No.: **DM/099954**  
Int. Reg. Date: **Feb. 22, 2018**  
Int. Reg. Pub. Date: **Mar. 9, 2018**  
(51) **LOC (12) Cl.** ..... **02-07**  
(52) **U.S. Cl.**  
USPC ..... **D11/231**  
(58) **Field of Classification Search**  
USPC ..... D11/200, 201, 202, 203, 206, 210, 211,  
D11/216, 222, 223, 91, 92; D2/627, 639,  
D2/628, 629, 630, 631, 632, 633, 634,  
D2/635, 636, 637, 638, 946, 976;  
D10/30, 32  
CPC ..... A44B 11/22; A44B 11/00; A44B 11/001;  
A44B 11/24; A44B 9/16  
See application file for complete search history.

**OTHER PUBLICATIONS**

[Online] "Society 32 Reversible Belt." <https://www.hermes.com/us/en/product/society-32-reversible-belt-H076335CUAA085/>. Retrieved Nov. 9, 2018.\*

\* cited by examiner

*Primary Examiner* — Melanie Pellegrini

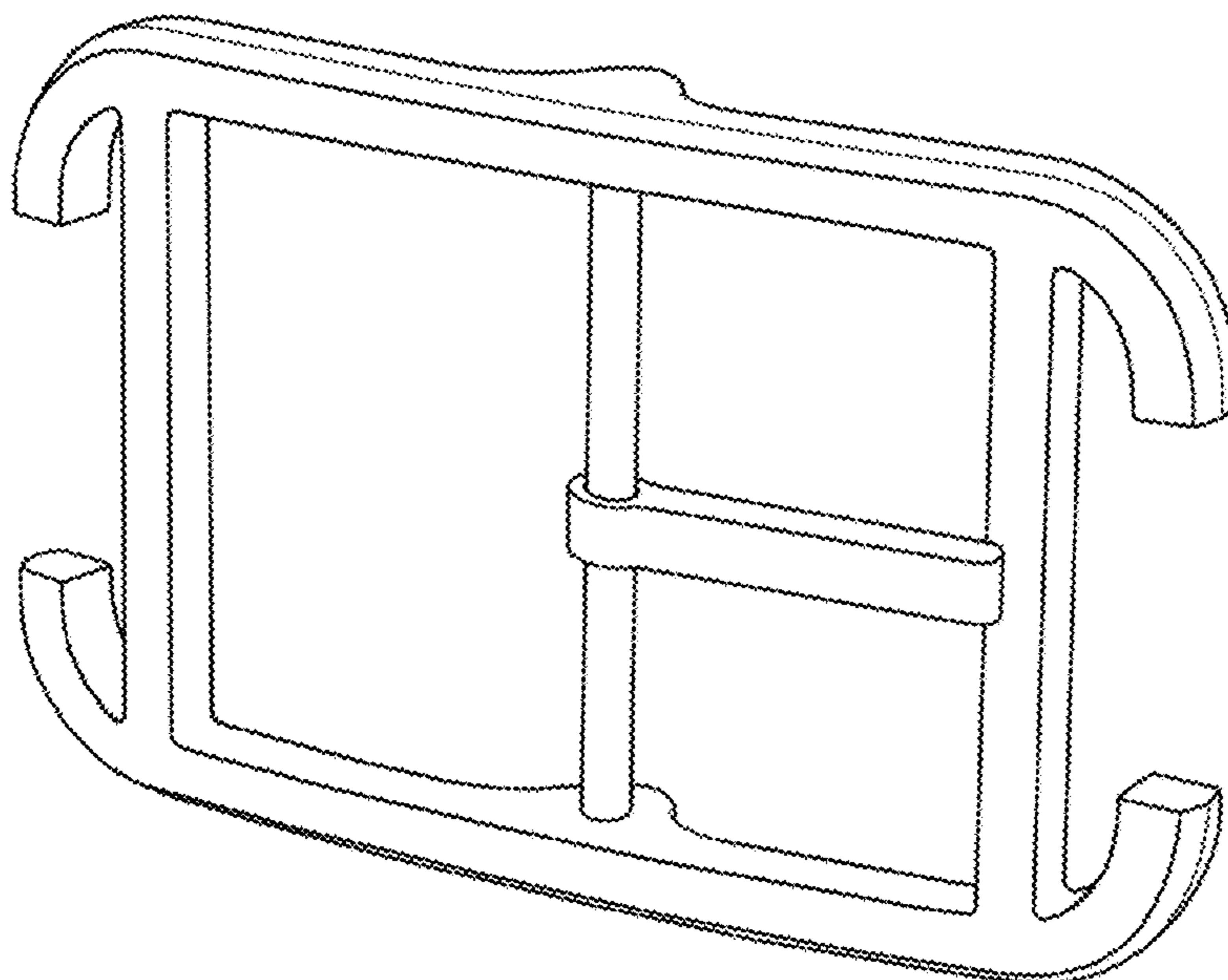
(56) **References Cited**  
**U.S. PATENT DOCUMENTS**  
1,145,151 A \* 7/1915 Langenbach ..... A44B 11/24  
24/178  
D83,512 S \* 3/1931 Colavecchio ..... 24/178

(57) **CLAIM**  
The ornamental design for a belt buckle, as shown and described.

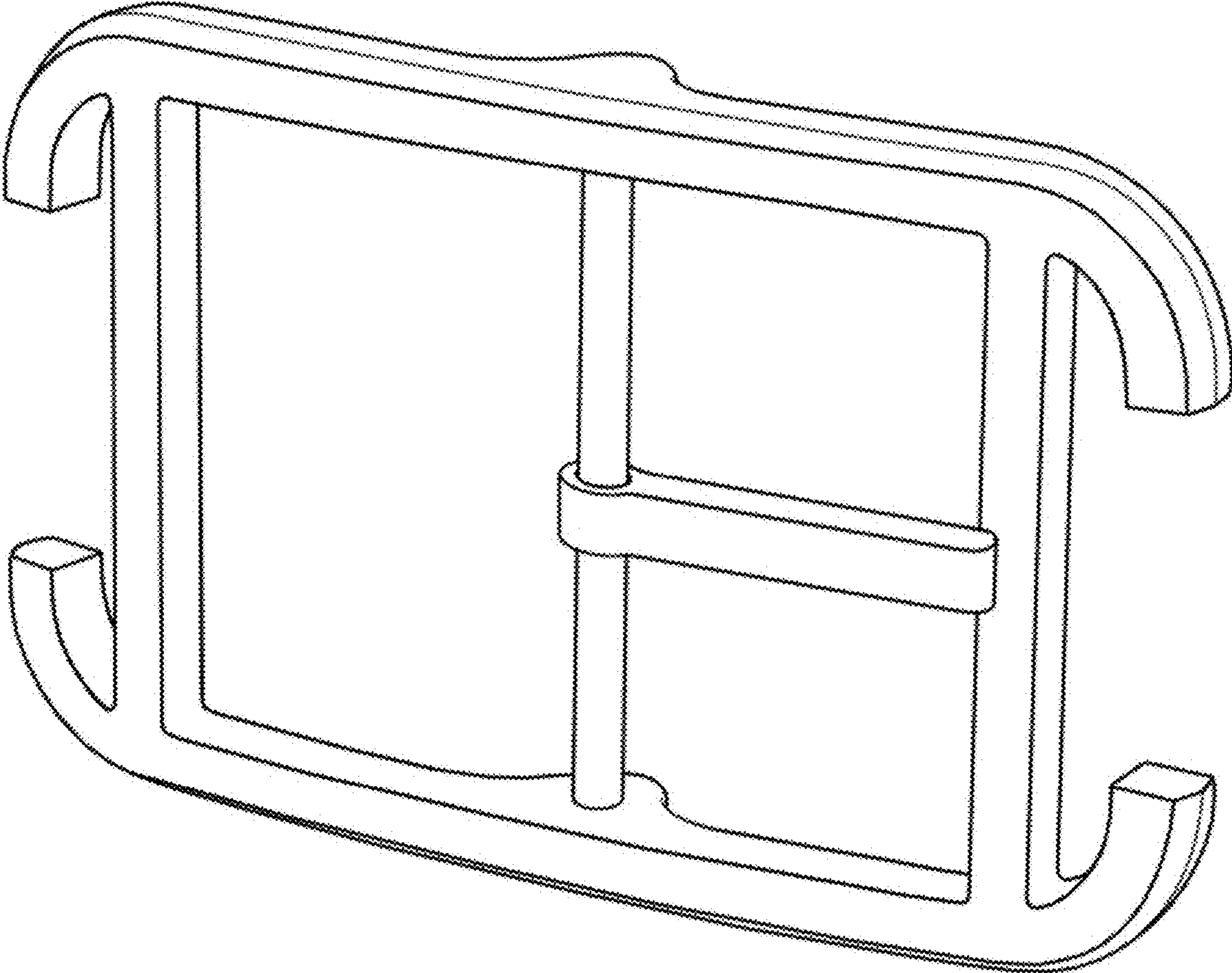
**DESCRIPTION**

- 1. Belt buckle
- 1.1 : Perspective
- 1.2 : Front
- 1.3 : Back
- 1.4 : Right
- 1.5 : Left
- 1.6 : Top
- 1.7 : Bottom

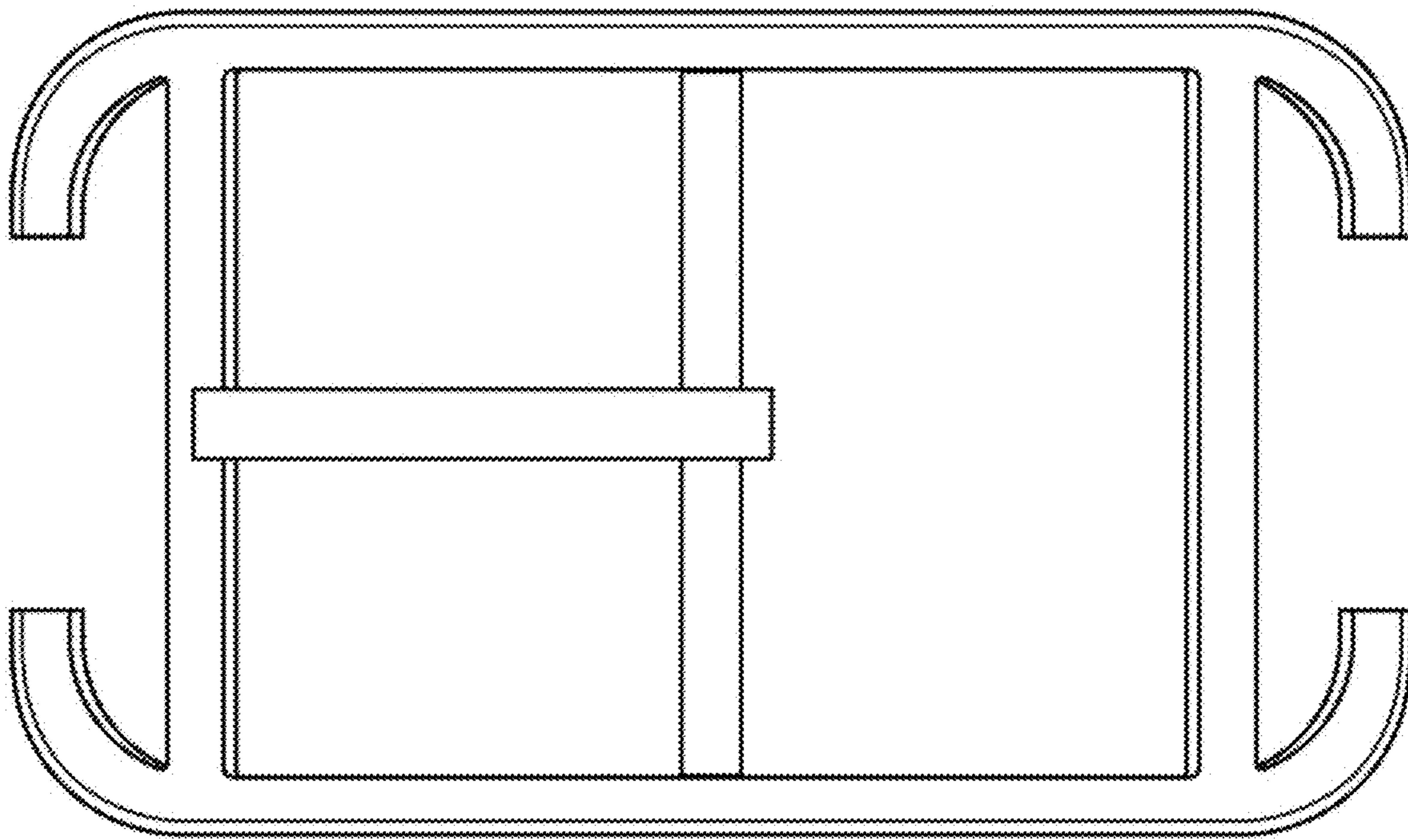
**1 Claim, 7 Drawing Sheets**



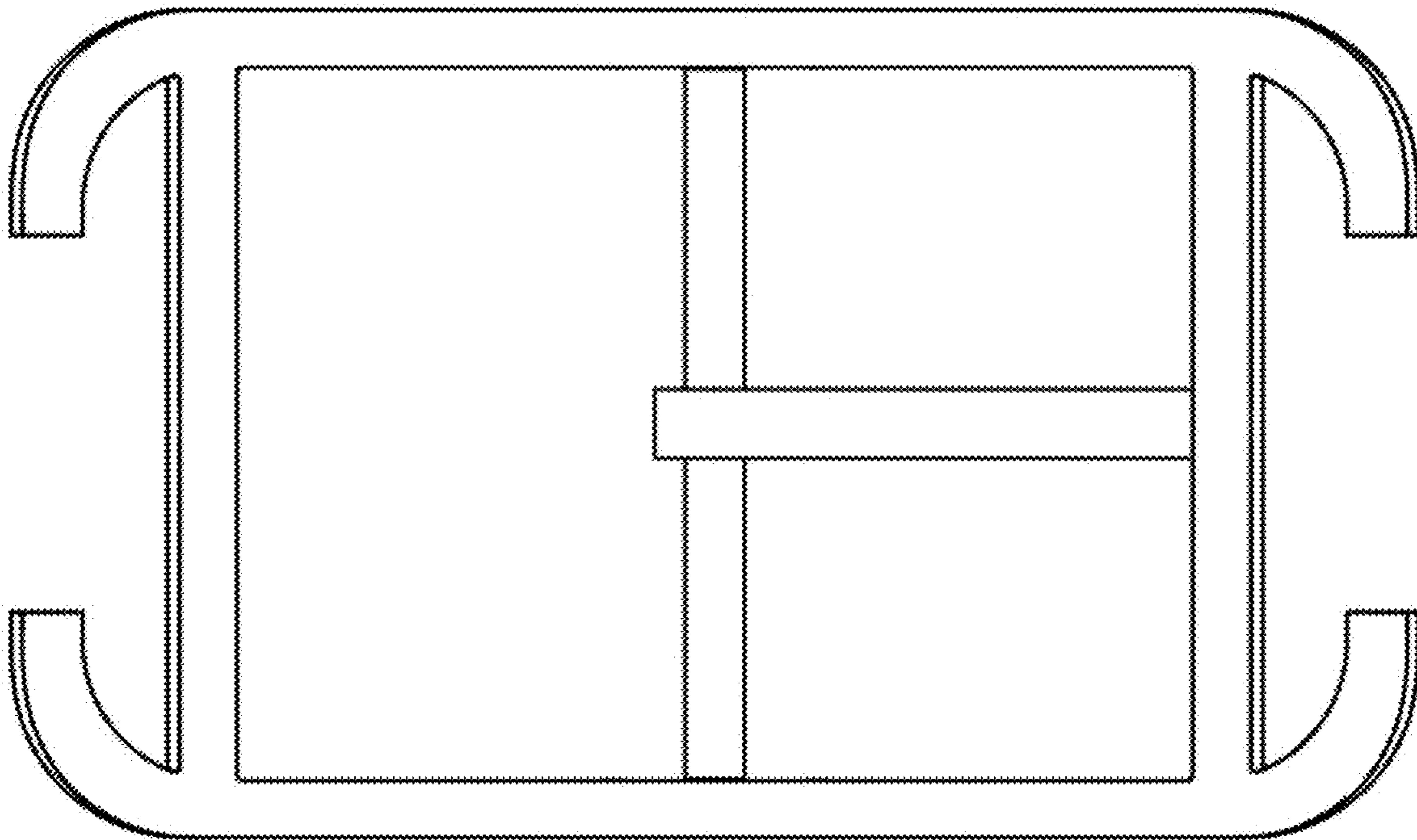
1.1



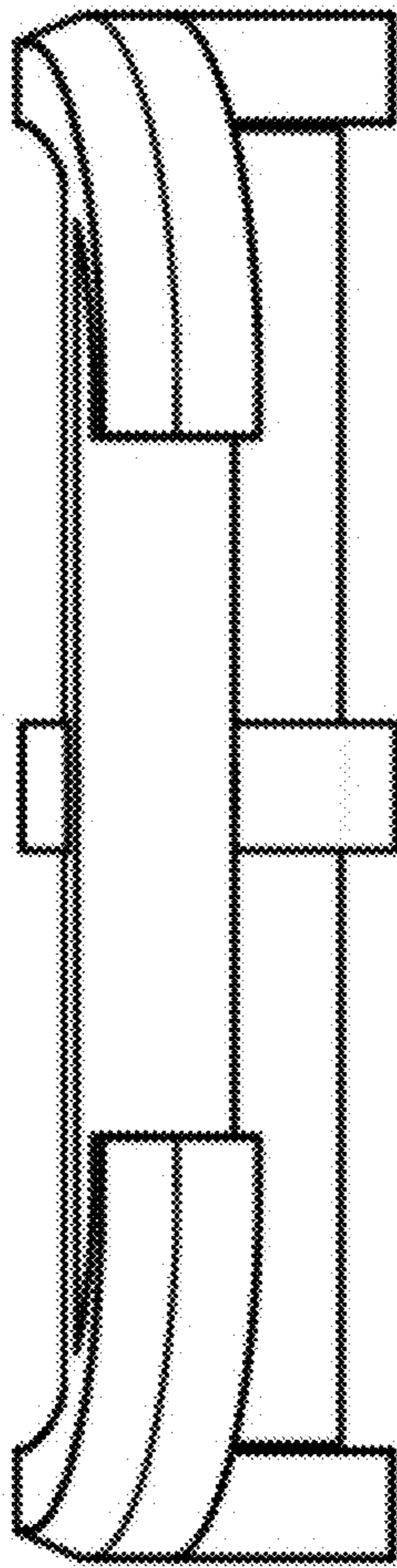
1.2



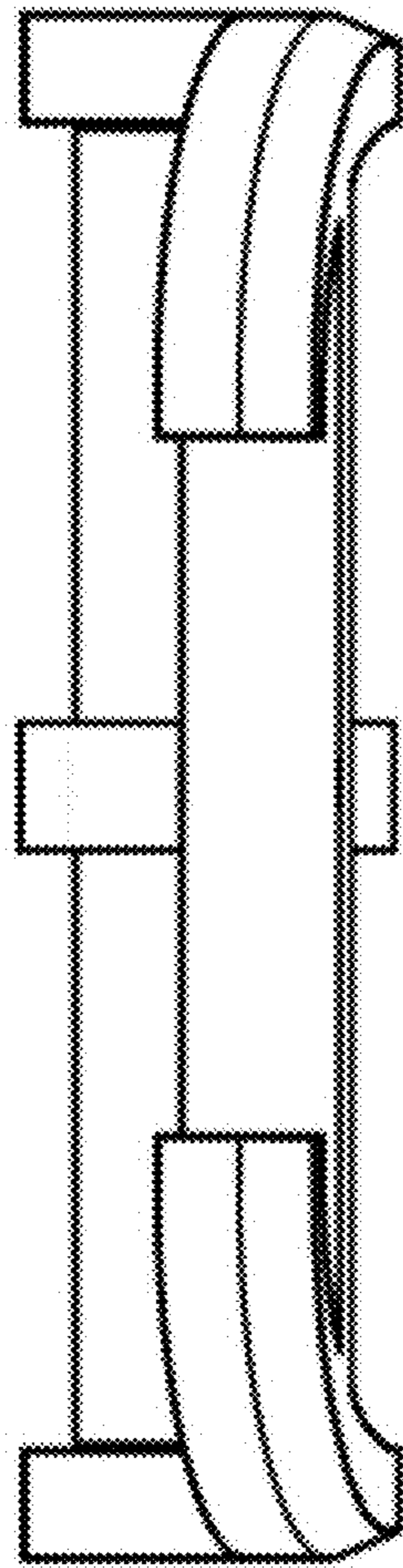
1.3



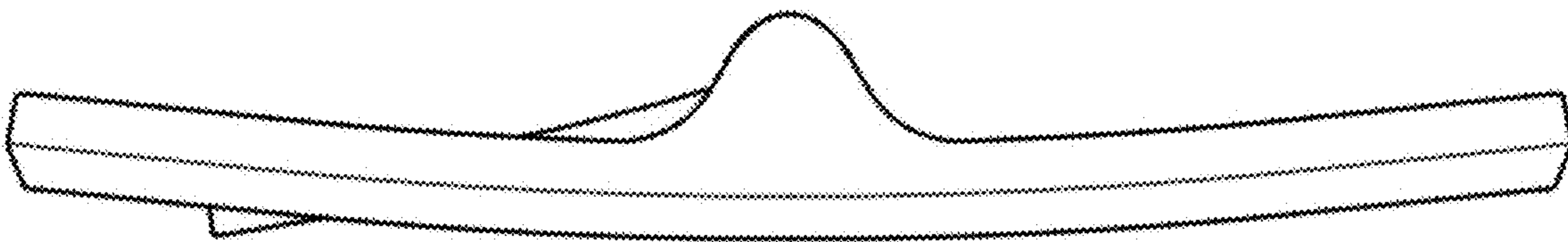
1.4



1.5



1.6



1.7

