



US00D856189S

(12) **United States Design Patent** (10) **Patent No.:** **US D856,189 S**
Krezel (45) **Date of Patent:** **** Aug. 13, 2019**

(54) **SUSPENDER STRAP BUCKLE WITH TOOL DOCK**

(71) Applicant: **Simms Fishing Products LLC**,
Bozeman, MT (US)

(72) Inventor: **Brian Krezel**, Bozeman, MT (US)

(**) Term: **15 Years**

(21) Appl. No.: **29/600,621**

(22) Filed: **Apr. 13, 2017**

(51) **LOC (12) Cl.** **02-07**

(52) **U.S. Cl.**
USPC **D11/218**; D2/640

(58) **Field of Classification Search**
USPC D2/624, 626, 627, 633, 639, 640, 853,
D2/923; D3/24, 213, 215, 216, 230;
D8/14, 331, 343, 349, 356, 358, 359, 360,
D8/363, 366, 371, 382, 394, 395;
D10/32, 38; D11/1, 2, 3, 12, 16, 86, 87,
D11/93, 200, 201, 206–210, 212–218,
D11/229–237; D12/195, 416;
D29/100–101.5, 122, 129, 130; D30/139,
D30/152, 153

CPC A44B 11/00; A44B 11/02; A44B 11/04;
A44B 11/05; A44B 11/06; A44B 11/10;
A44B 11/14; A44B 11/22; A44B 11/25;
A44B 11/26; A44B 11/125; A44B 11/223;
A44B 11/001; A44B 11/005; A44B
11/006; A44B 11/2503; A44B 11/2507;
A44B 11/2553; A44B 11/2592; A41F
1/008; A41F 9/002; A41F 9/007; A41F
11/06; B60R 22/30; B60R 22/32; B60R
22/022; B60R 2022/1806; B60R
2022/1812; B60R 2022/281; B65D 63/16;
A62B 35/00

See application file for complete search history.

(56) **References Cited**

U.S. PATENT DOCUMENTS

4,481,712 A	11/1984	Phelps	
4,669,214 A	6/1987	Behrle	
D301,215 S *	5/1989	Crowle	D11/218
D312,430 S *	11/1990	Crowle	D11/216
5,609,280 A	3/1997	Smith	
6,185,772 B1	2/2001	Bates	
D619,495 S *	7/2010	Herman	D11/215
D682,153 S *	5/2013	Dickey	D11/216
D700,541 S	3/2014	Iannello et al.	
D713,759 S *	9/2014	Guney	D11/218
D714,682 S *	10/2014	Paik	D11/216
8,863,362 B2 *	10/2014	Kelleghan	A44B 11/266 24/615

(Continued)

Primary Examiner — Kevin K Rudzinski
Assistant Examiner — Richard Kearney

(57) **CLAIM**

The ornamental design for a suspender strap buckle with tool dock, as shown and described.

DESCRIPTION

FIG. 1 is a perspective view of a suspender strap buckle with tool dock showing the new design with a fly fishing tool attached to the tool dock.

FIG. 2 is a front view of a suspender strap buckle with tool dock showing the new design.

FIG. 3 is a rear view of a suspender strap buckle with tool dock showing the new design.

FIG. 4 is a first side view of a suspender strap buckle with tool dock showing the new design.

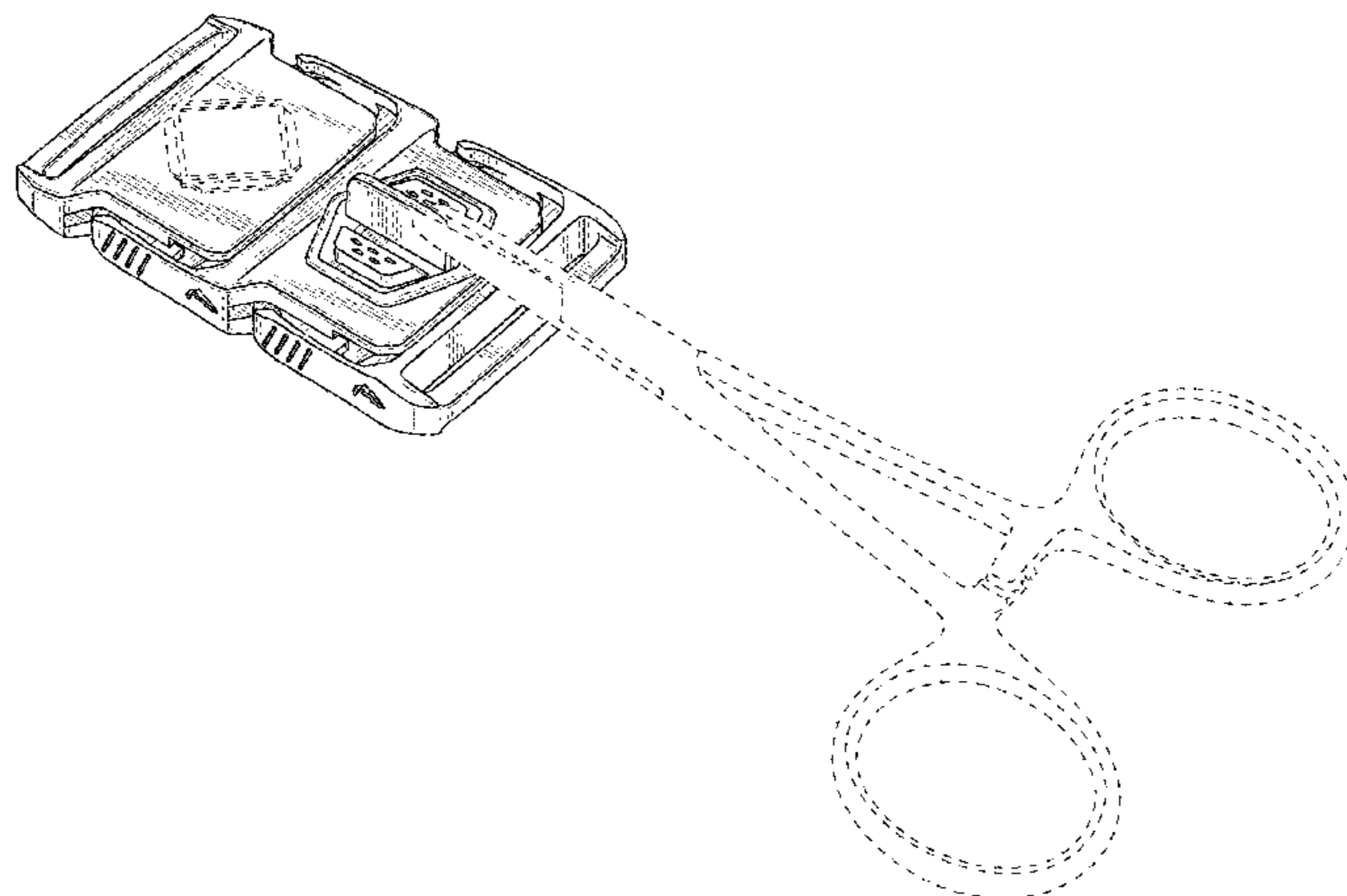
FIG. 5 is a second side view of a suspender strap buckle with tool dock showing the new design.

FIG. 6 is a top view of a suspender strap buckle with tool dock showing the new design; and,

FIG. 7 is a bottom view of a suspender strap buckle with tool dock showing the new design.

The broken lines shown in the drawings illustrate environmental subject matter that forms no part of the claimed design.

1 Claim, 3 Drawing Sheets



(56)

References Cited

U.S. PATENT DOCUMENTS

D724,483 S *	3/2015	Kelleghan	D11/216
D724,484 S *	3/2015	Swan	D11/218
D738,050 S *	9/2015	Kostal	D29/122
D778,777 S *	2/2017	Paik	D11/216
D811,934 S *	3/2018	Martinet	D11/218
D832,769 S *	11/2018	Fife	D12/416

* cited by examiner

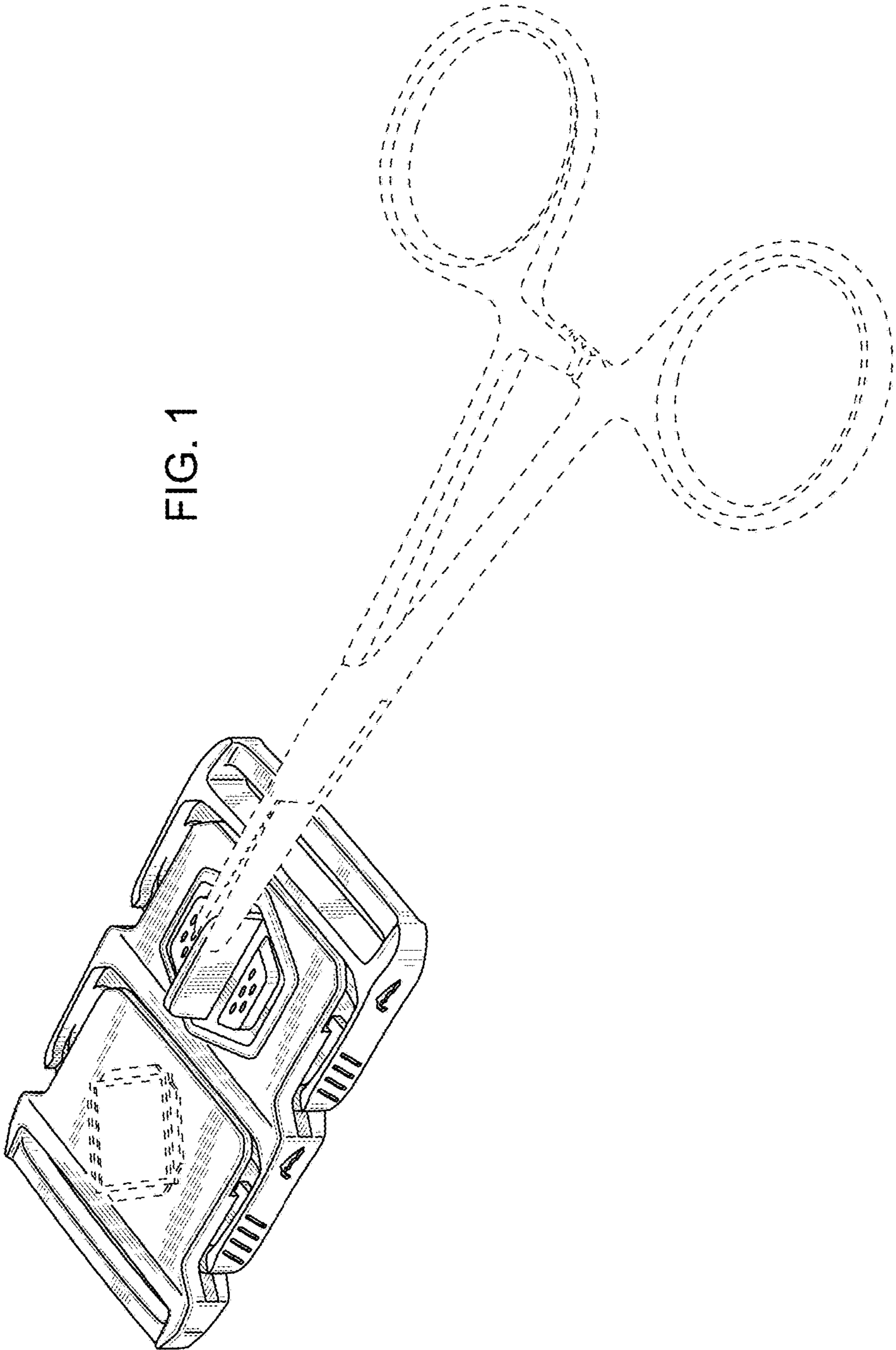


FIG. 1

FIG. 3

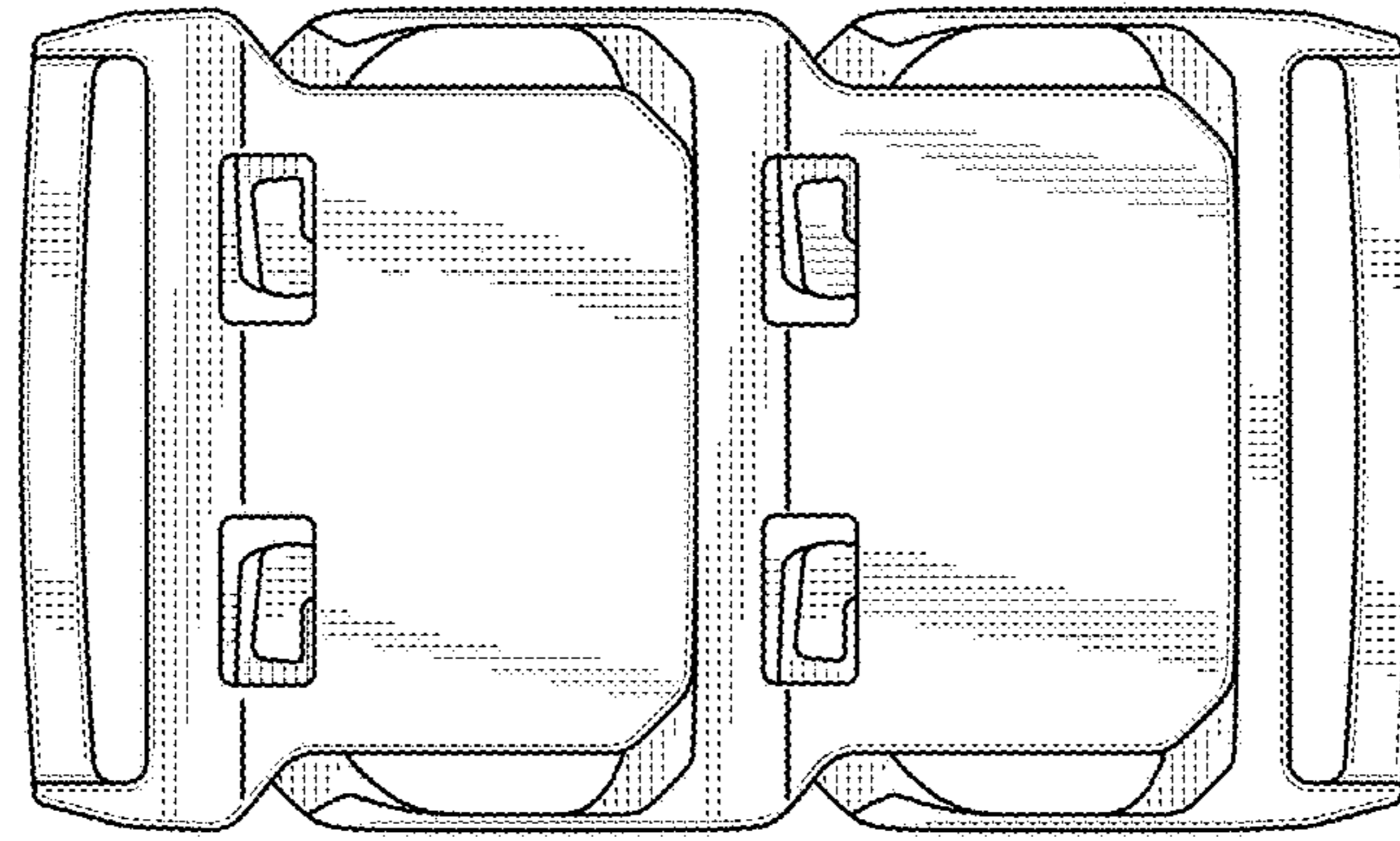


FIG. 2

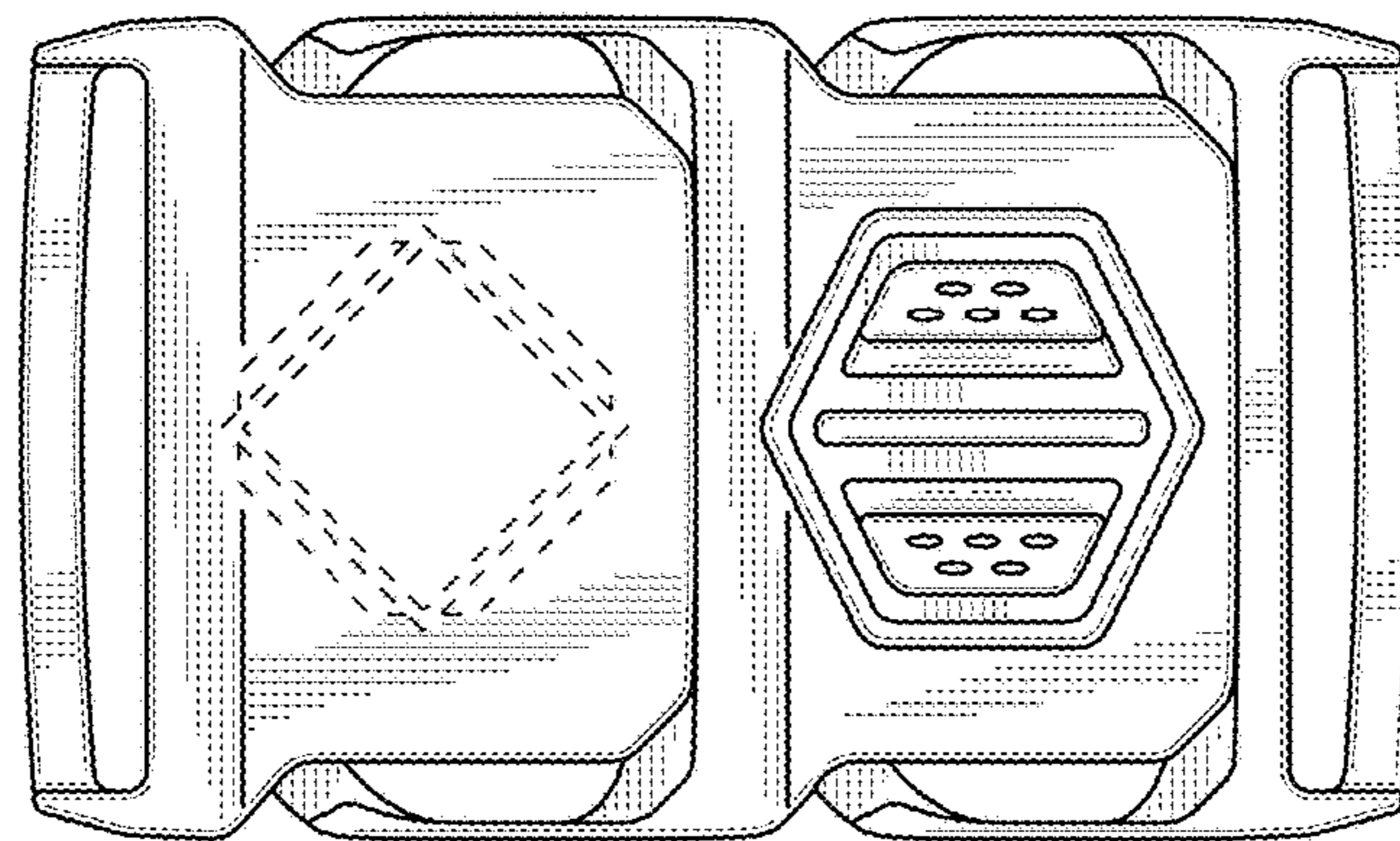


FIG. 4

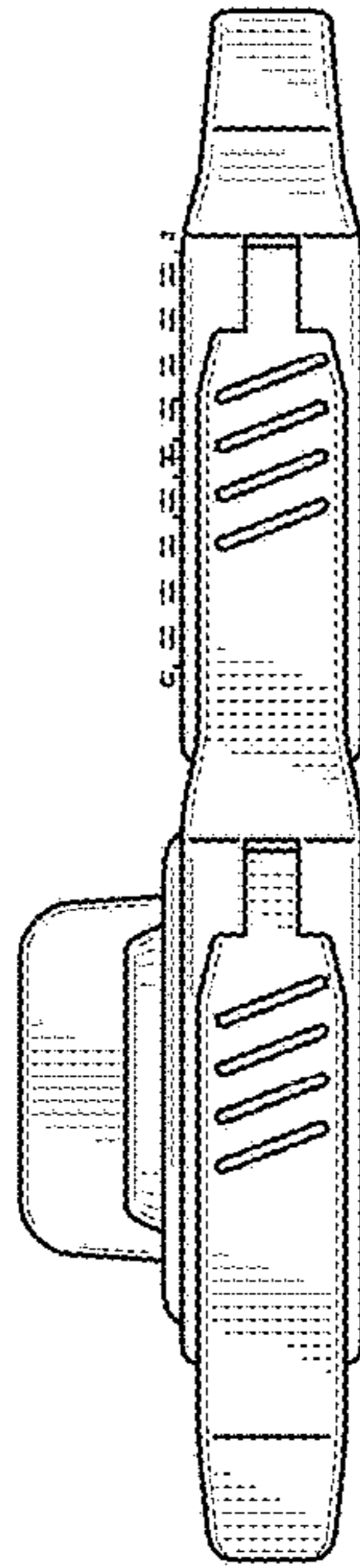


FIG. 5

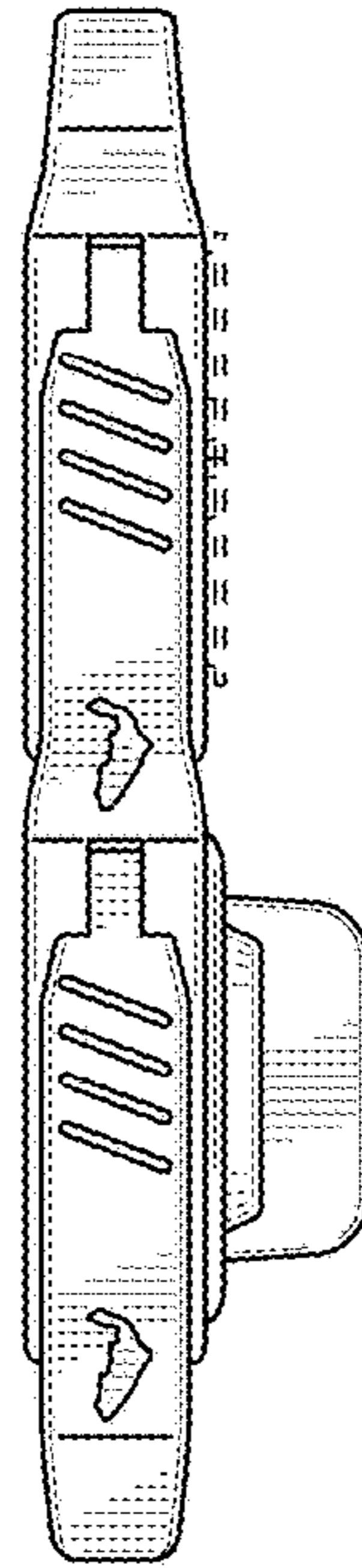


FIG. 6

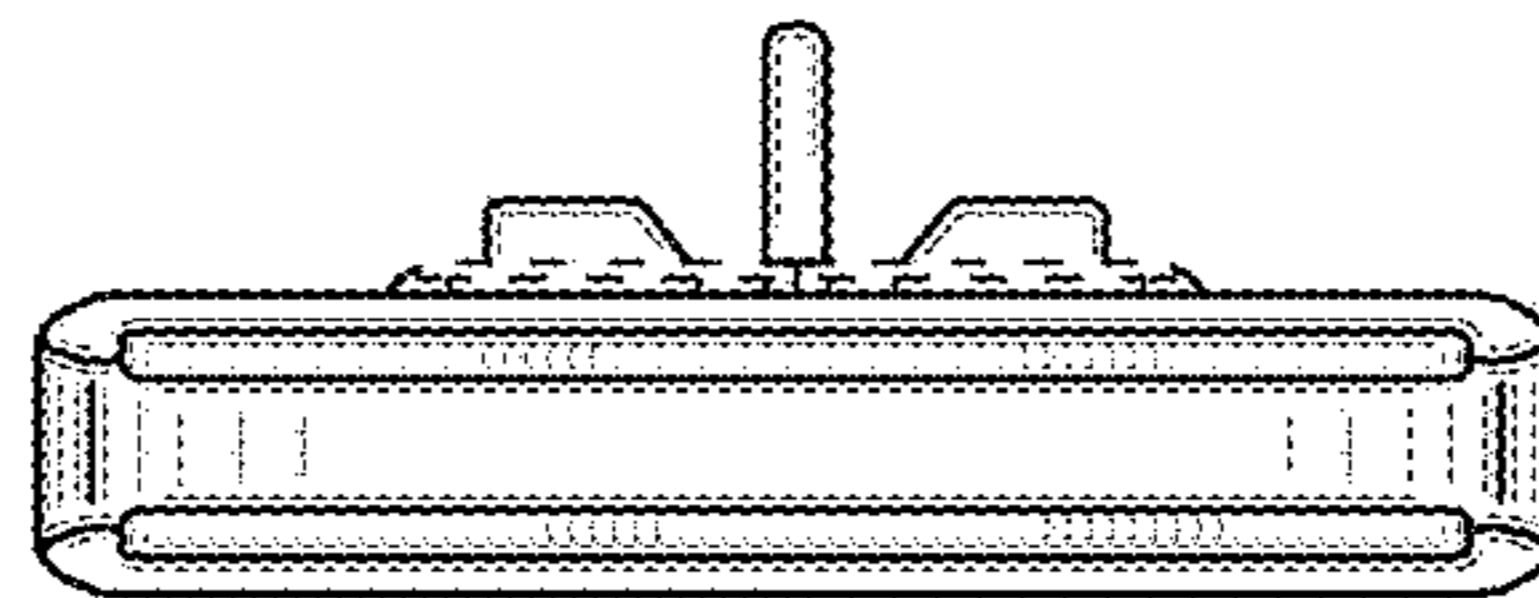


FIG. 7

