



US00D856186S

(12) **United States Design Patent** (10) **Patent No.:** **US D856,186 S**
Kowlessar (45) **Date of Patent:** **** Aug. 13, 2019**

(54) **BRACELET FACE**

FOREIGN PATENT DOCUMENTS

(71) Applicant: **David S. Kowlessar**, Alexandria, VA
(US)

CN 201130228561 * 7/2011
CN 201130228613 * 7/2011

(Continued)

(72) Inventor: **David S. Kowlessar**, Alexandria, VA
(US)

OTHER PUBLICATIONS

(**) Term: **15 Years**

I Heart Giveaways, BodyMedia Link Armband Review, posted Apr. 4, 2012, [online], [site visited May 7, 2018]. Available from Internet, <URL: <http://iheartgiveaways.com/?p=1628>> (Year: 2012).*

(Continued)

(21) Appl. No.: **29/539,928**

(22) Filed: **Sep. 18, 2015**

(51) **LOC (12) Cl.** **11-01**

(52) **U.S. Cl.**

USPC **D11/79**

(58) **Field of Classification Search**

USPC D11/1-6, 7-40, 43, 75-76, 77, 79, 80,
D11/86-88, 91, 93, 94, 200, 89, 81, 157;
D3/207, 212, 10, 17, 28, 318, 323;
D14/344; D8/54, 367, 371, 382, 399, 31,
D8/30

CPC A44C 23/00; A44C 25/00; A44C 25/001;
A44C 25/002; A44C 25/004; A44C
25/007; A44C 5/02; A44C 5/107; A44C
9/0015

See application file for complete search history.

Primary Examiner — Sheryl Lane

Assistant Examiner — Samantha N Wood

(74) *Attorney, Agent, or Firm* — Hoang Steve Ngo

(57)

CLAIM

The ornamental design for a bracelet face, as shown and described.

DESCRIPTION

FIG. 1 is a first end, top, perspective view of a bracelet face, showing my new design;

FIG. 2 is a second end, top, perspective view thereof;

FIG. 3 is a top view thereof;

FIG. 4 is a bottom view thereof;

FIG. 5 is a left side view thereof;

FIG. 6 is a right side view thereof;

FIG. 7 is a first end view thereof;

FIG. 8 is a second end view thereof;

FIG. 9 is a left side, top, perspective view thereof;

FIG. 10 is a right side, top, perspective view thereof; and, FIG. 11 is a top view in an exemplary environment.

The broken lines are included for the purpose of illustrating the environmental structure and form no part of the claimed design.

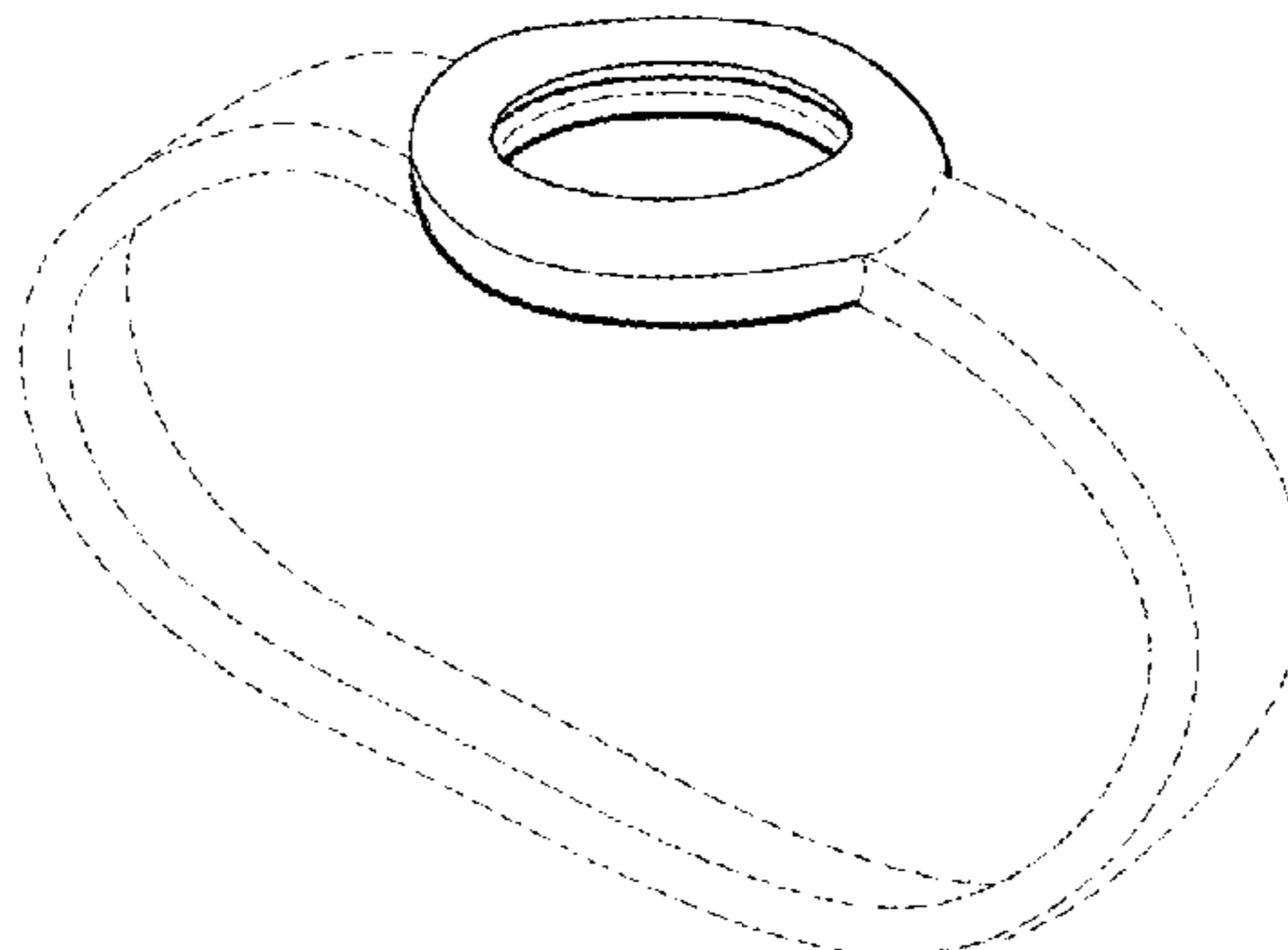
(56) **References Cited**

U.S. PATENT DOCUMENTS

236,552 A 1/1881 Coddling
298,540 A * 5/1884 Allen A44C 25/001
63/23
D47,376 S * 5/1915 Depollier D10/32
1,215,776 A 2/1917 Chabot
D52,465 S * 9/1918 Block 224/165
1,427,891 A 9/1922 Ziegler
1,536,365 A * 5/1925 Wiseman A44C 9/0053
359/815
1,628,278 A * 5/1927 Scheuer A44C 15/0075
224/217
3,202,331 A * 8/1965 McKinstrie B63C 11/02
224/221

(Continued)

1 Claim, 5 Drawing Sheets



(56)

References Cited

U.S. PATENT DOCUMENTS

4,473,304 A * 9/1984 Ketner G04B 45/00
368/221

4,674,299 A 6/1987 Azar

5,081,852 A 1/1992 Cox

5,167,356 A * 12/1992 Williams A44C 25/00
206/8

D341,333 S * 11/1993 Prout D11/80

6,701,747 B2 3/2004 Hartgrove

7,143,607 B2 12/2006 Hartgrove

D616,642 S * 6/2010 Kim D11/79

7,942,674 B2 5/2011 Murphy

8,296,983 B2 10/2012 Padgett et al.

D671,846 S * 12/2012 Parmigiani D10/39

8,408,387 B2 * 4/2013 Sottile G07D 9/002
206/0.82

D685,668 S * 7/2013 Guerrero, II D11/79

8,651,346 B1 2/2014 Williams

D714,164 S * 9/2014 Vuilleumier D10/30

D717,198 S * 11/2014 Plusquellec D11/86

D735,598 S 8/2015 Hines

2002/0139142 A1 10/2002 Marandola, Jr.

2012/0234040 A1 9/2012 Murphy

2013/0074544 A1 3/2013 Lans

FOREIGN PATENT DOCUMENTS

EP 0442793 A1 8/1991

FR 974253 A * 2/1951 A44C 25/002

OTHER PUBLICATIONS

Huffingtonpost, Best Fitness Trackers, poste Feb. 21, 2013, [online], [site visited May 7, 2018]. Available from Internet, <URL: https://www.huffingtonpost.com/2013/02/21/best-fitness-tracker-reviews_n_2599351.html> (Year: 2013).*

Business Insider, Power Balance Will Keep Making Wristbands Despite Bankruptcy and Massive Fraud Lawsuit, posted Jan. 22, 2011, [online], [site visited May 7, 2018]. Available from Internet, <URL: <https://www.businessinsider.com.au/power-balance-bracelets-2011-10>> (Year: 2011).*

Amazon, TomTom Fascia Cardio Runner, first available Sep. 6, 2013, [online], [site visited May 7, 2018]. Available from Internet, <URL: <https://www.amazon.it/TomTom-Compatibile-Multi-Sport-Dispositivi-Bluetooth/dp/B00ENWESCM>> (Year: 2013).*

The Enchanted Gallery, Diamond Shaped Wood Bead, webarchive Sep. 9, 2014, [online], [site visited May 16, 2018]. Available from Internet, <URL: <https://web.archive.org/web/20140909042411/http://www.theenchantedgallery.com/beads.html>> (Year: 2014).*

* cited by examiner

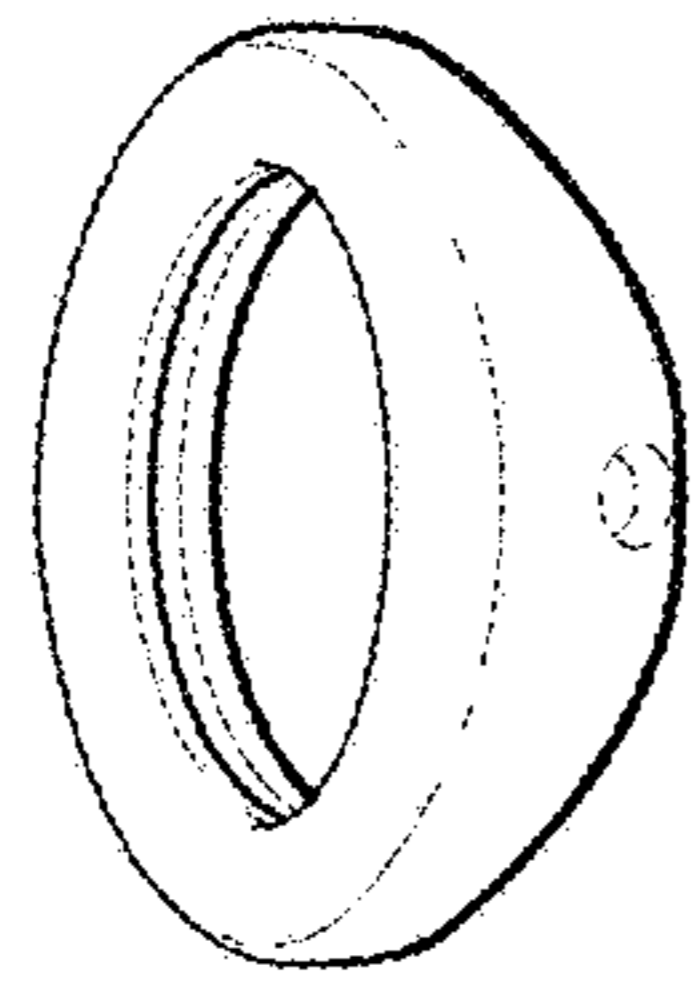


FIG. 2

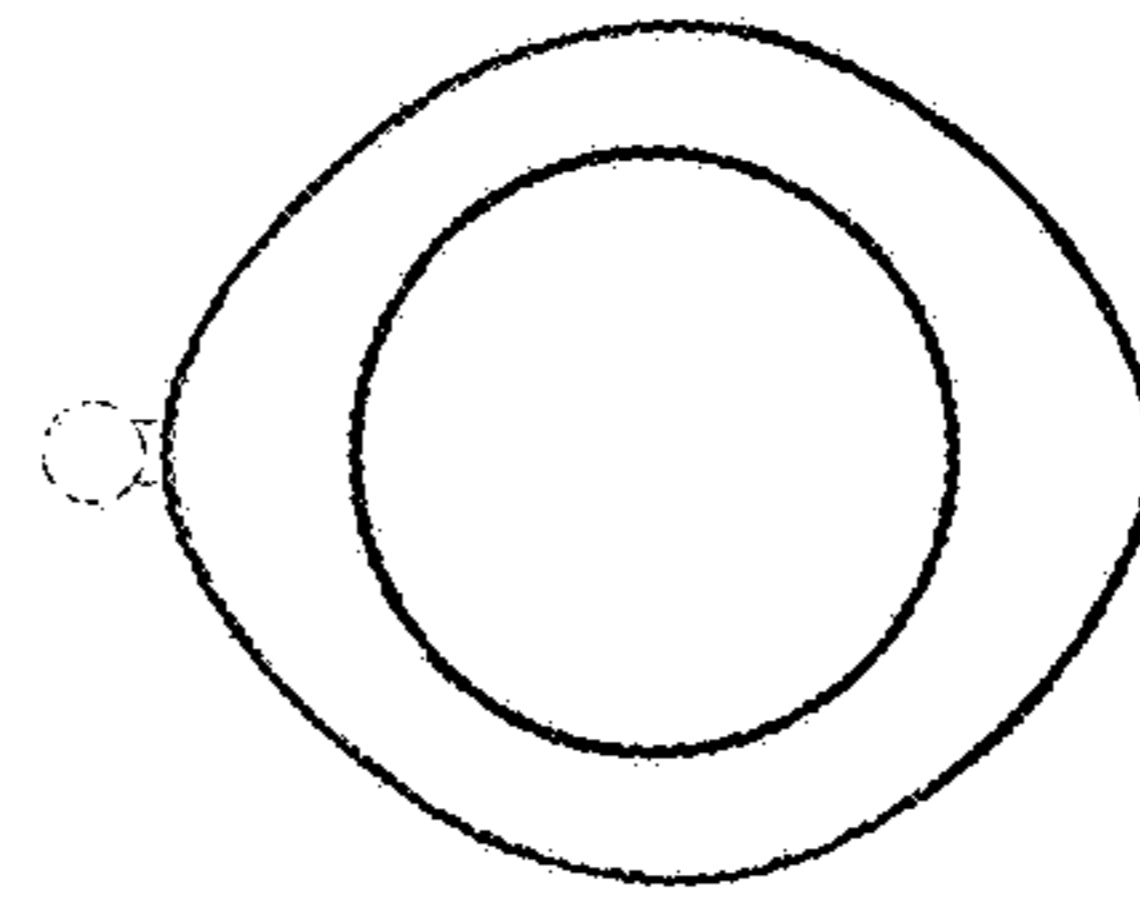


FIG. 4

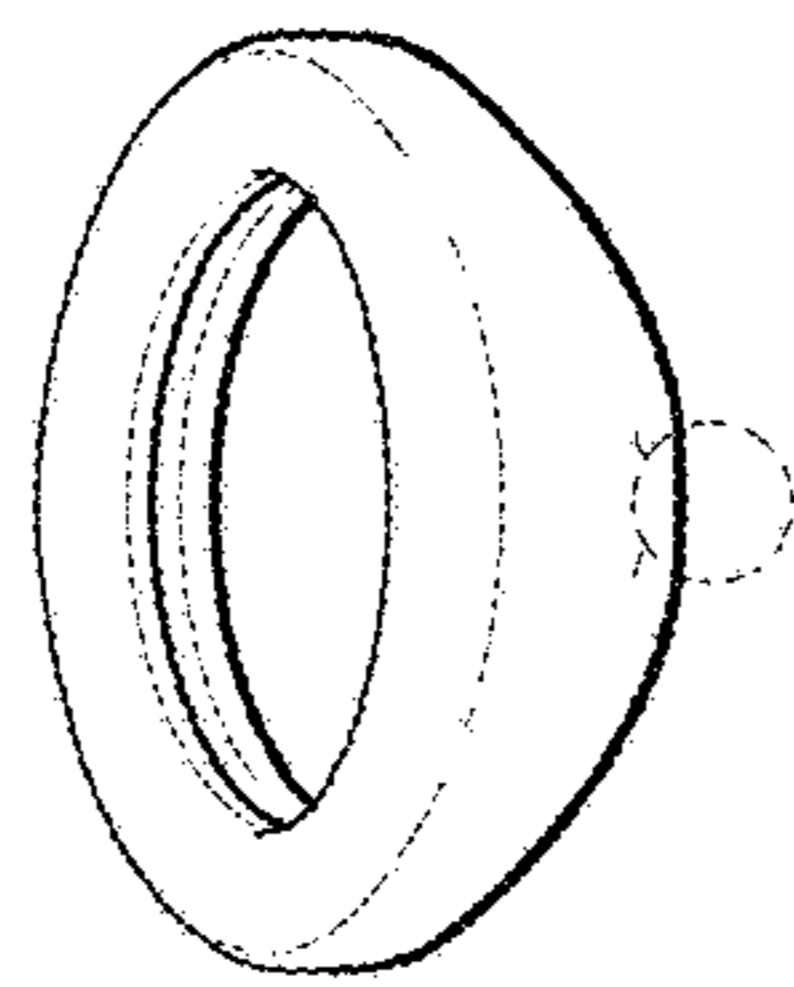


FIG. 1

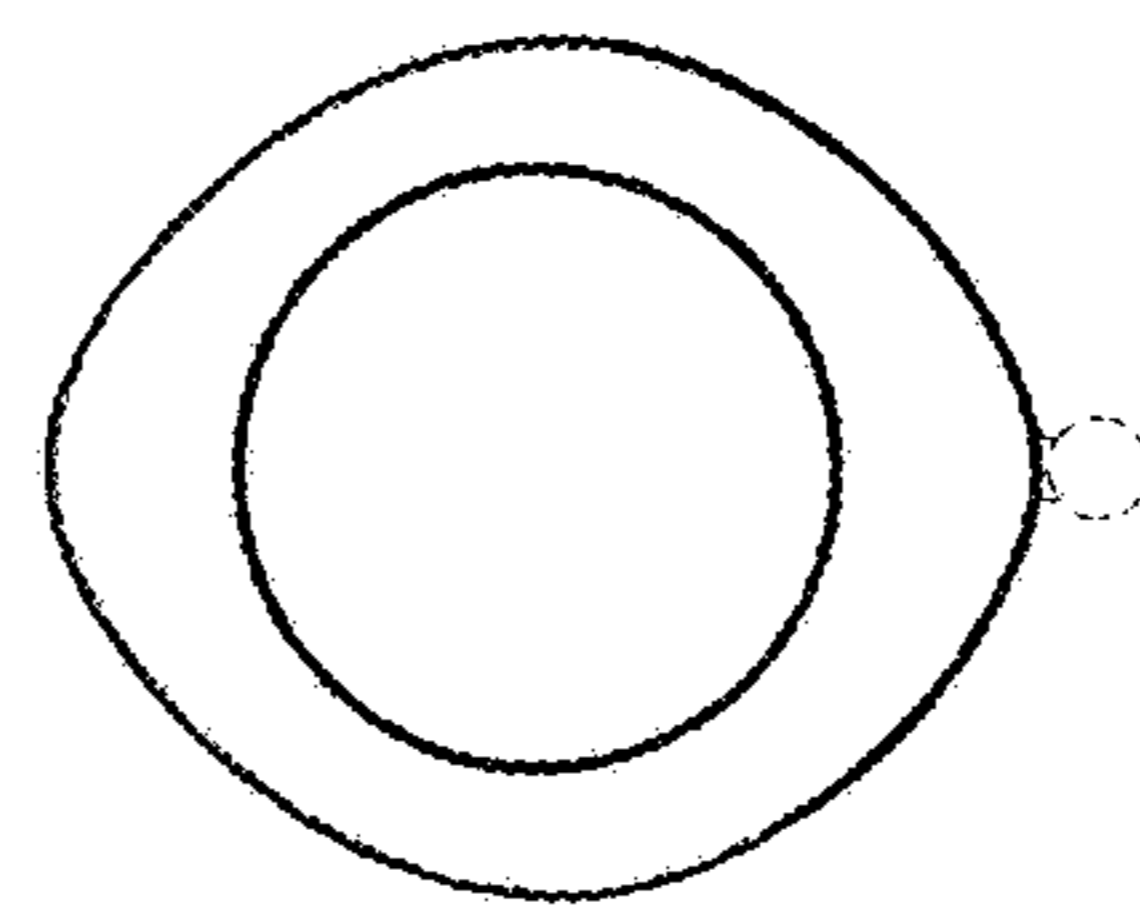


FIG. 3



FIG. 6

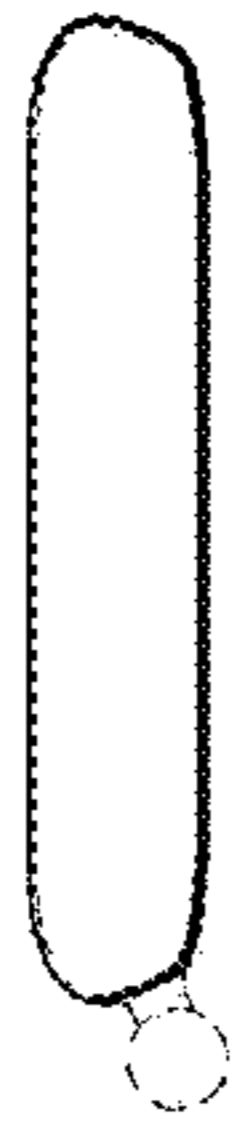


FIG. 5



FIG. 8



FIG. 7

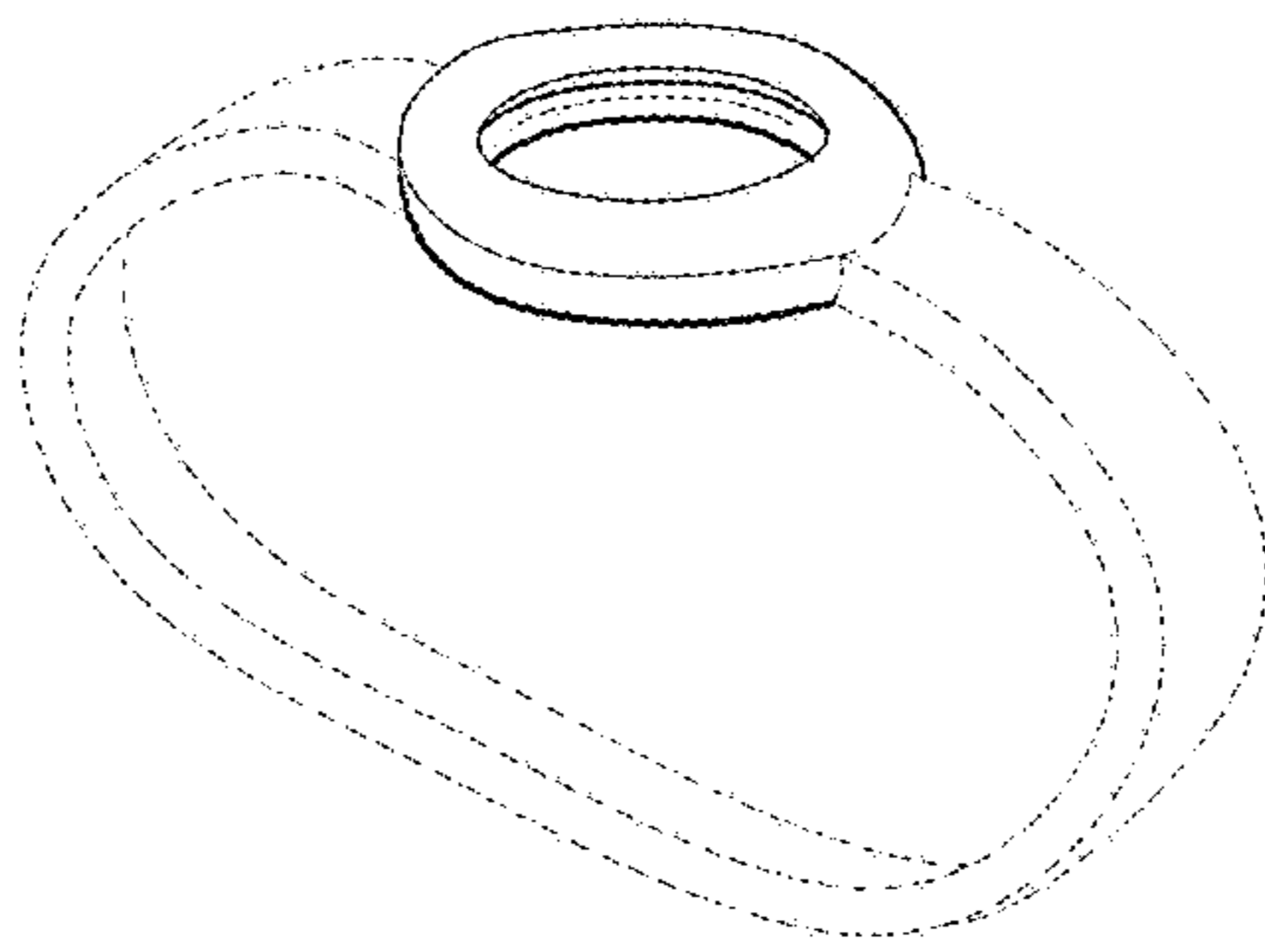


FIG. 9

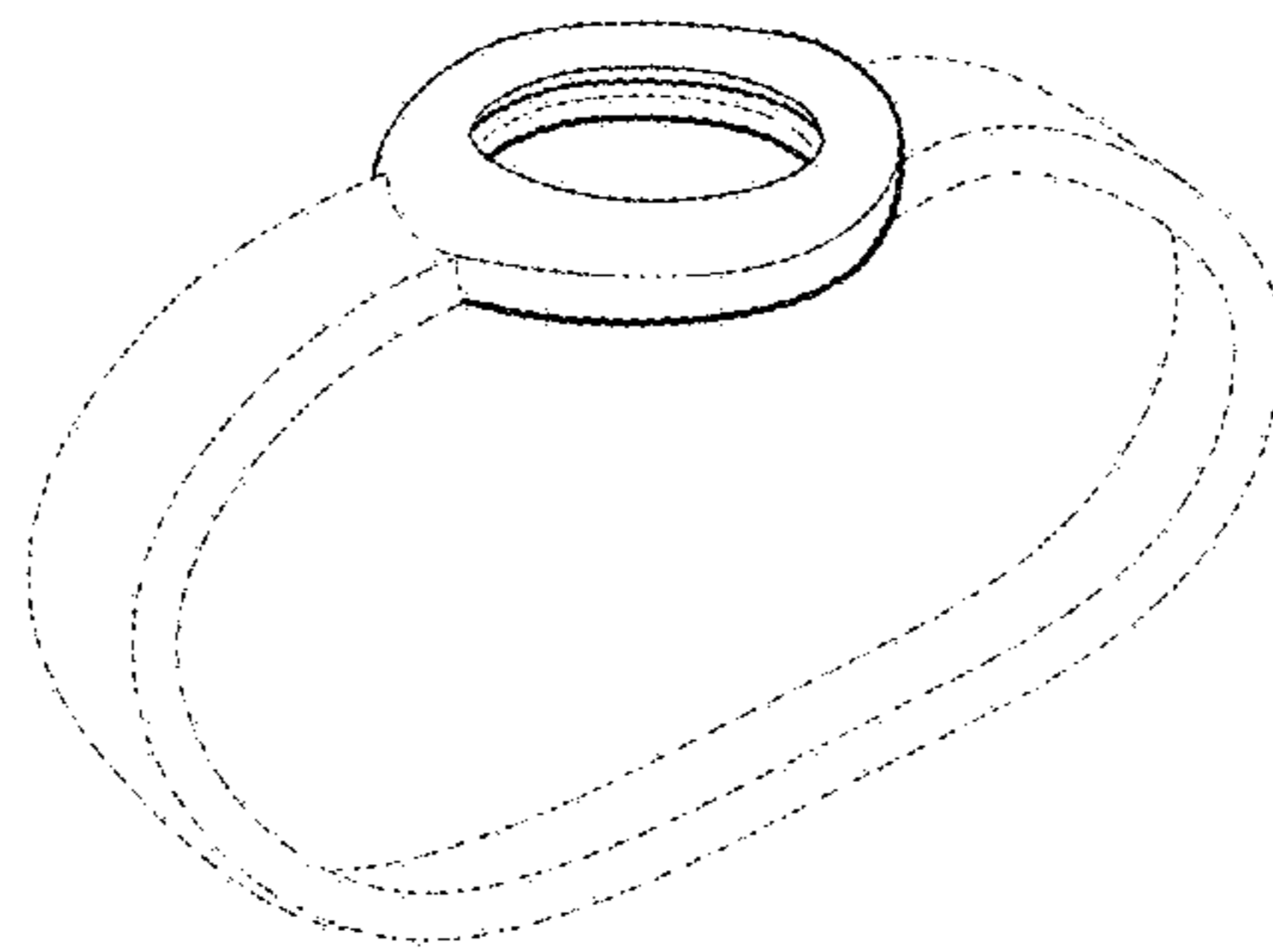


FIG. 10

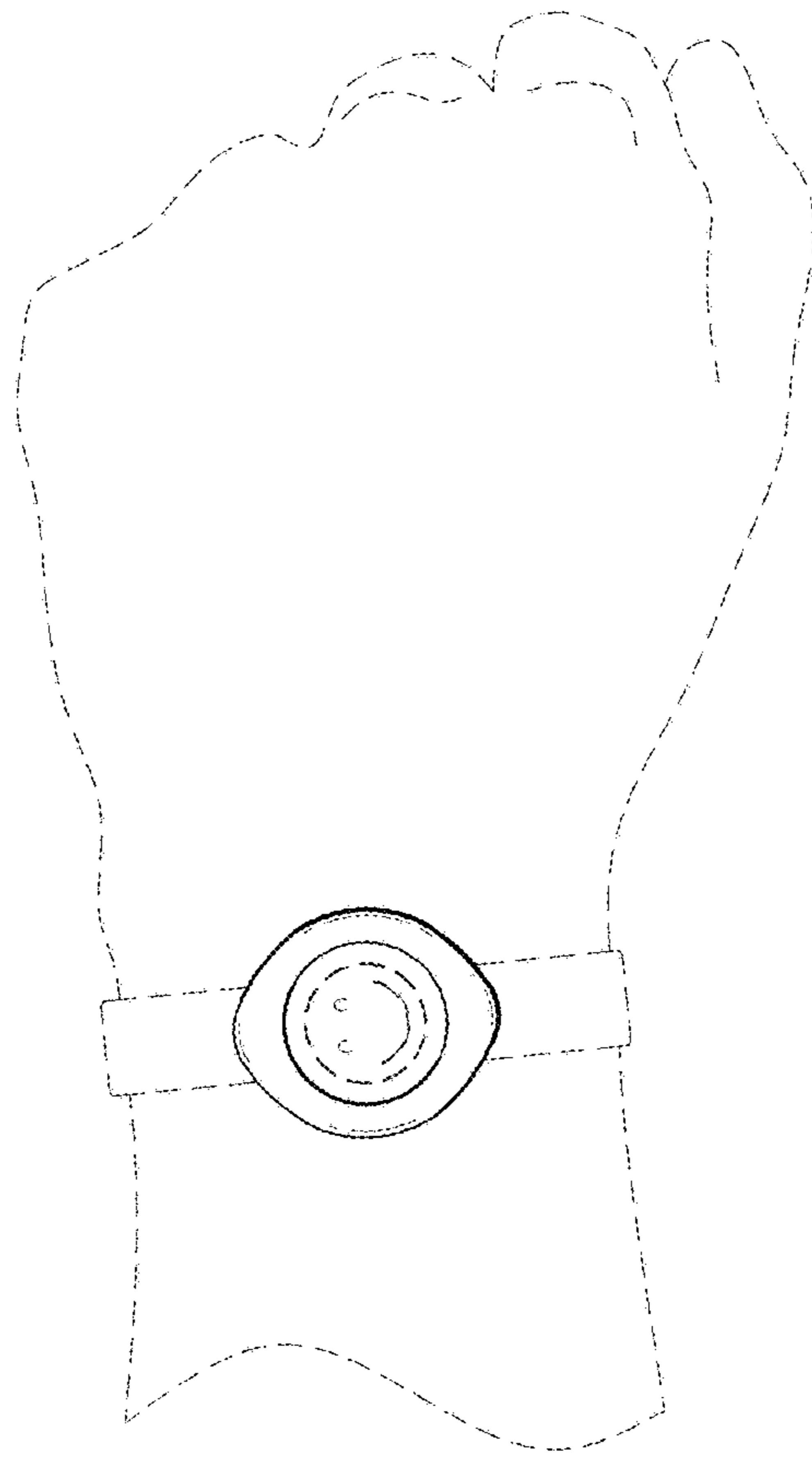


FIG. 11