



US00D856180S

(12) **United States Design Patent** (10) **Patent No.:** **US D856,180 S**
Krishnaswamy (45) **Date of Patent:** **** Aug. 13, 2019**

(54) **ALARM FOR AUTOMOBILES**
(71) Applicant: **Ramasamy Krishnaswamy,**
Coimbatore (IN)
(72) Inventor: **Ramasamy Krishnaswamy,**
Coimbatore (IN)
(**) Term: **15 Years**
(21) Appl. No.: **29/610,239**
(22) Filed: **Jul. 11, 2017**
(51) **LOC (12) Cl.** **10-05**
(52) **U.S. Cl.**
USPC **D10/106.1**
(58) **Field of Classification Search**
USPC D10/104.1, 104.2, 105, 106.1, 106.2,
D10/106.3, 106.4, 106.5, 106.6, 106.7,
D10/106.8, 106.9, 106.91, 106.92, 106.93,
D10/106.94, 106.95, 107, 108, 109.1,
D10/109.2, 110, 111, 112, 113.1, 113.2,
D10/113.3, 113.4, 114.1, 114.2, 114.3,
D10/114.4, 114.5, 114.6, 114.7, 114.8,
D10/114.9, 115, 116.1, 117, 118, 118.1,
D10/118.2, 119.1, 119.2, 119.3, 119.4,
D10/120, 121; 340/463, 435, 436, 384.1,
340/384.4
CPC G08B 7/06; H04R 1/345
See application file for complete search history.

D380,401 S * 7/1997 Sarkis D10/106.1
D408,309 S * 4/1999 Ch D10/106.1
D409,514 S * 5/1999 Ch D10/106.1
D419,475 S * 1/2000 Chu D10/106.1
D453,306 S * 2/2002 Bekasi D10/120
D485,201 S * 1/2004 Corrigan D10/120
D514,010 S * 1/2006 Corrigan D10/120
D514,466 S * 2/2006 Lai D10/120
D514,973 S * 2/2006 Coward D10/120
D515,447 S * 2/2006 Gilliam D10/106.1
D516,446 S * 3/2006 Chen D10/106.1
D516,448 S * 3/2006 Lai D10/120
D553,529 S * 10/2007 Sahibzada D10/106.2
D639,688 S * 6/2011 Neufeglise D10/116.1
D796,367 S * 9/2017 Neufeglise D10/120

(Continued)

OTHER PUBLICATIONS

“NPL 1,” available May 22, 2018, [online], [site visited May 22, 2018]. Available from Internet, URL: <http://gumatic.com/prodavnica/farovi-i-stop-svetla/sirena-za-rikverc-1224v-2/> (Year: 2018).*

(Continued)

Primary Examiner — Cathron C Brooks
Assistant Examiner — Katrina N Gonzalez
(74) *Attorney, Agent, or Firm* — W&C IP

(57) **CLAIM**

What is claimed is the ornamental design for an alarm for automobiles, as shown and described.

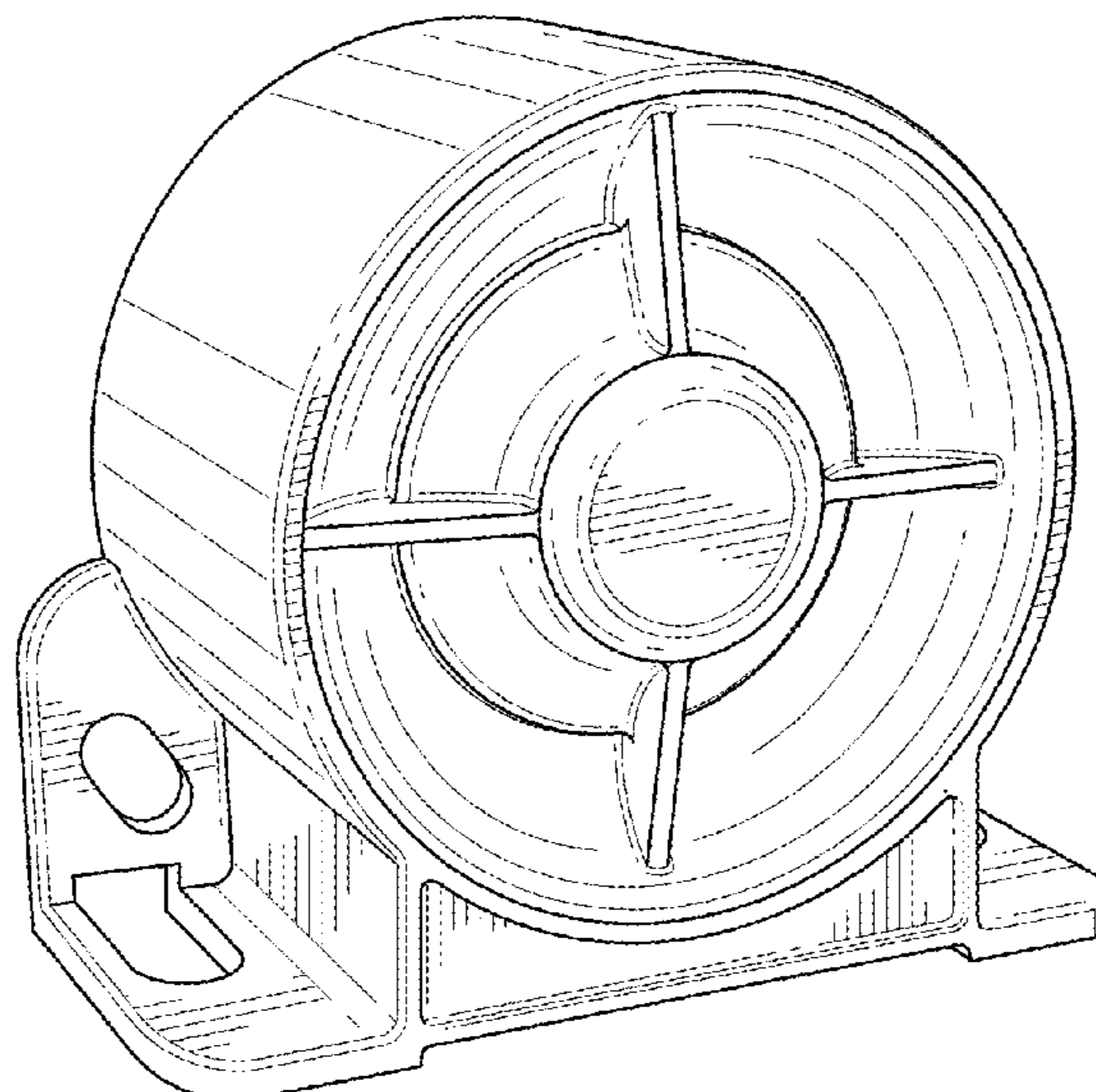
DESCRIPTION

FIG. 1 is a front left perspective view of an alarm for automobiles;
FIG. 2 is a front right perspective view of the alarm;
FIG. 3 is a front view of the alarm;
FIG. 4 is a left side view of the alarm;
FIG. 5 is a right side view of the alarm; and,
FIG. 6 is a top view of the alarm.

1 Claim, 4 Drawing Sheets

(56) **References Cited**
U.S. PATENT DOCUMENTS

D248,151 S * 6/1978 Duris D10/116.1
D254,728 S * 4/1980 Mitumori D10/116.1
D294,808 S * 3/1988 Zeigner D10/116.1
D301,989 S * 7/1989 Arduini D10/120
D309,440 S * 7/1990 Arduini D10/120
D314,720 S * 2/1991 Chen D10/106.1
D370,862 S * 6/1996 John-Hurlow D10/106.1



(56)

References Cited

U.S. PATENT DOCUMENTS

D804,347 S * 12/2017 Satoh D10/116.1

OTHER PUBLICATIONS

“NPL 2,” available May 22, 2018, [online], [site visited May 22, 2018]. Available from Internet, URL:<http://www.httbuy.com/real-time-car-gps-tracker-and-car-alarm-system-remote-control-siren-and-shock-sensor.html> (Year: 2018).*

“NPL 3,” available 2016, [online], [site visited May 22, 2018]. Available from Internet, URL:<https://www.bestbuy.com/site/reviews/directed-electronics-vocalarm-universal-voice-module-black/3025838> (Year: 2016).*

“NPL 4,” available May 1, 2014, [online], [site visited May 22, 2018]. Available from Internet, URL:<https://www.google.com/shopping/product/10751978306172524910> (Year: 2014).*

“NPL 5,” available May 22, 2018, [online], [site visited May 22, 2018]. Available from Internet, URL:<https://www.google.com/shopping/product/12184733195627586132> (Year: 2018).*

“NPL 6,” available Jul. 11, 2011, [online], [site visited May 22, 2018]. Available from Internet, URL:<https://www.google.com/shopping/product/14116962330827980651> (Year: 2011).*

“NPL 7,” available May 22, 2018, [online], [site visited May 22, 2018]. Available from Internet, URL:<https://www.google.com/shopping/product/7299323208763988187> (Year: 2018).*

“NPL 8,” available Mar. 20, 2015, [online], [site visited May 22, 2018]. Available from Internet, URL:<https://www.google.com/shopping/product/1724029488461813243> (Year: 2015).*

* cited by examiner

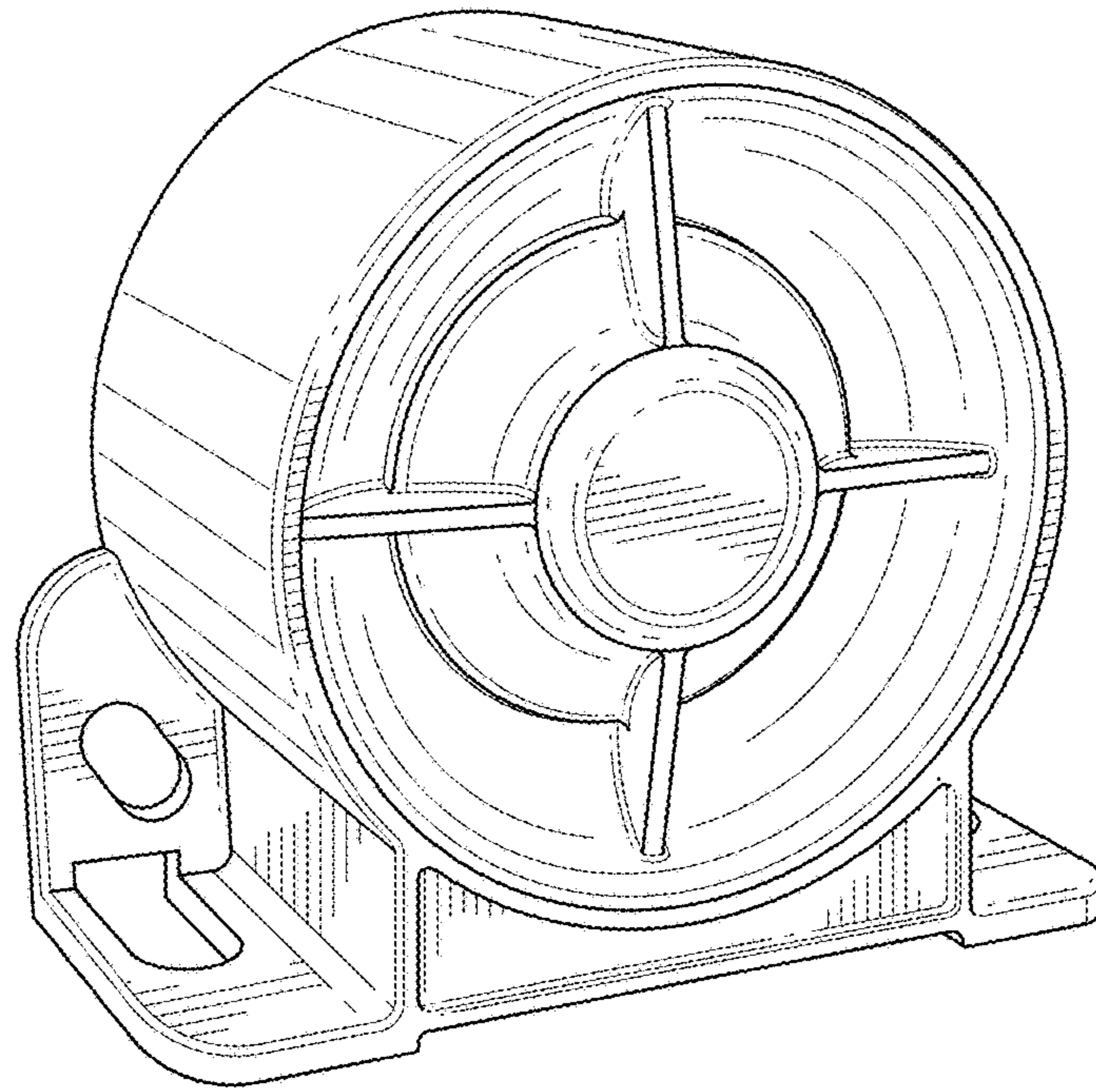


FIG. 1

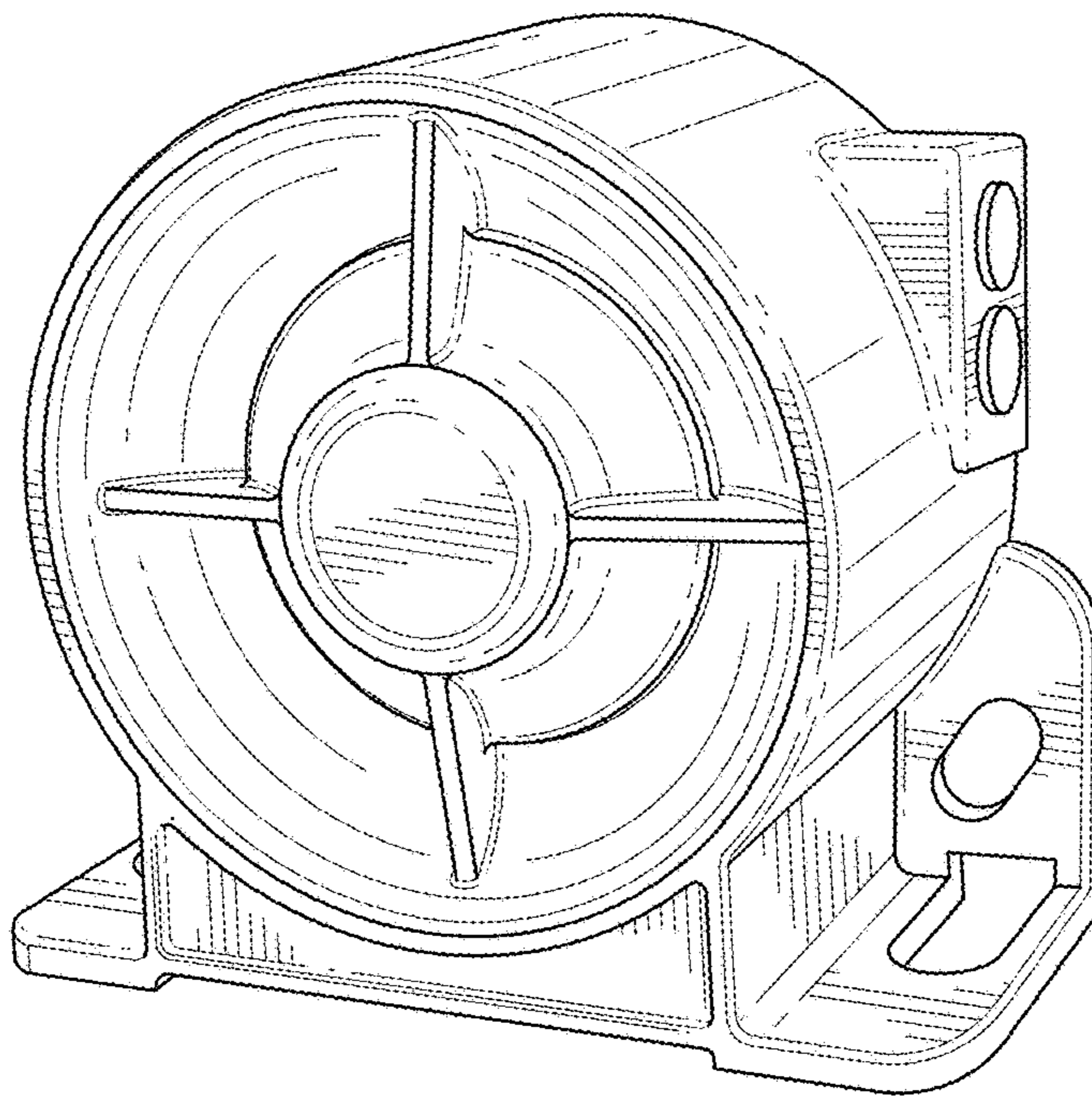


FIG. 2

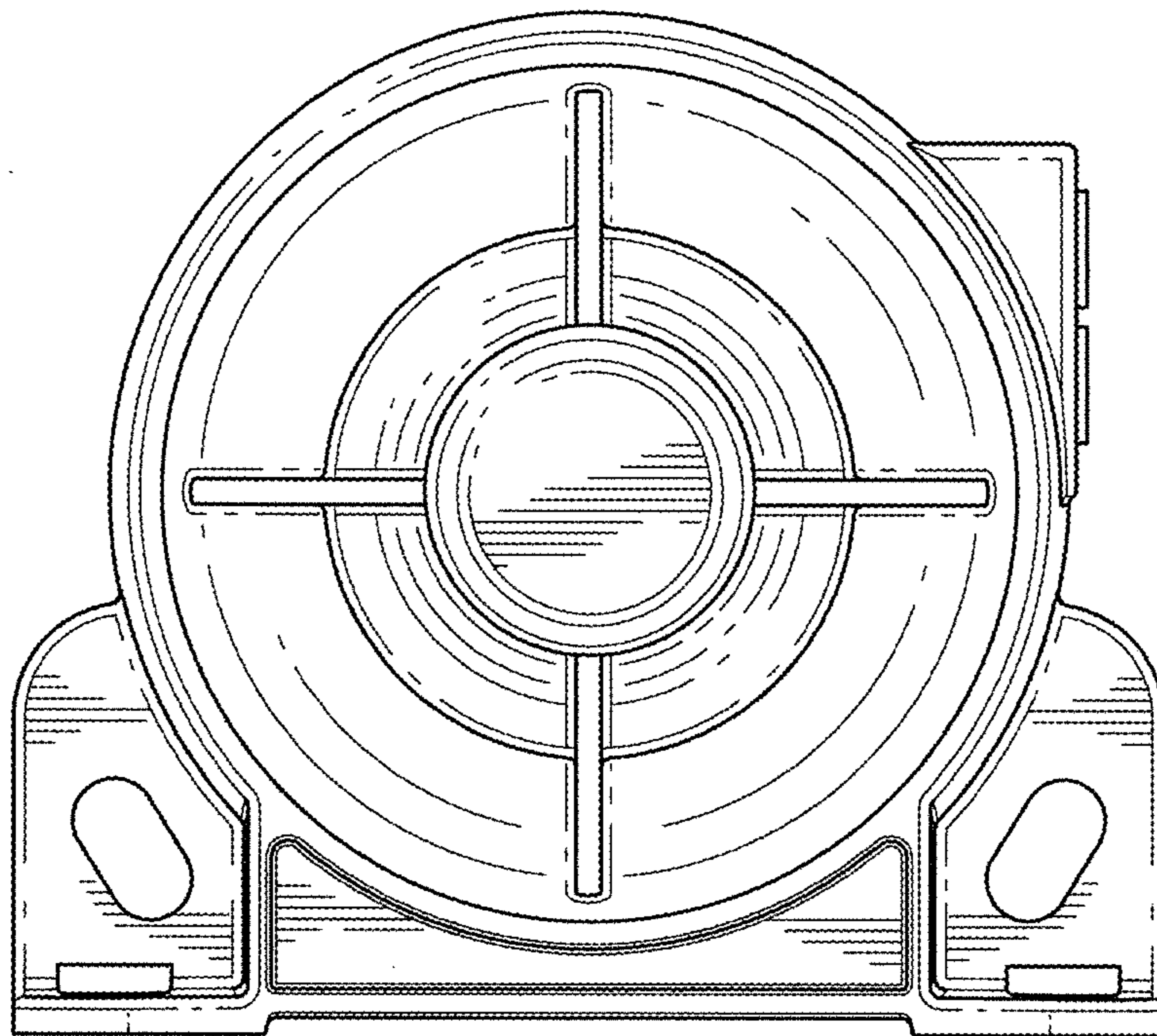


FIG. 3

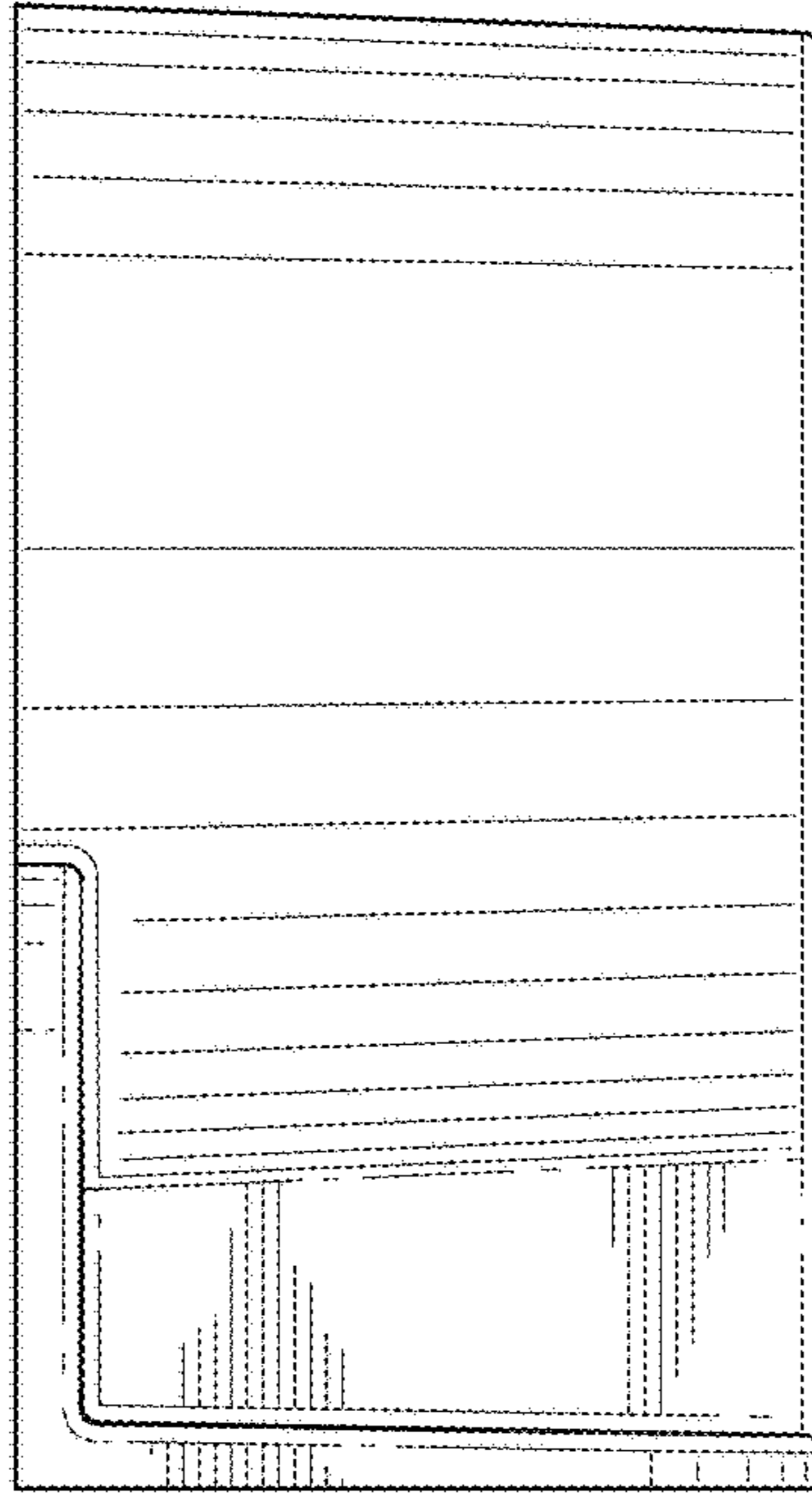


FIG. 4

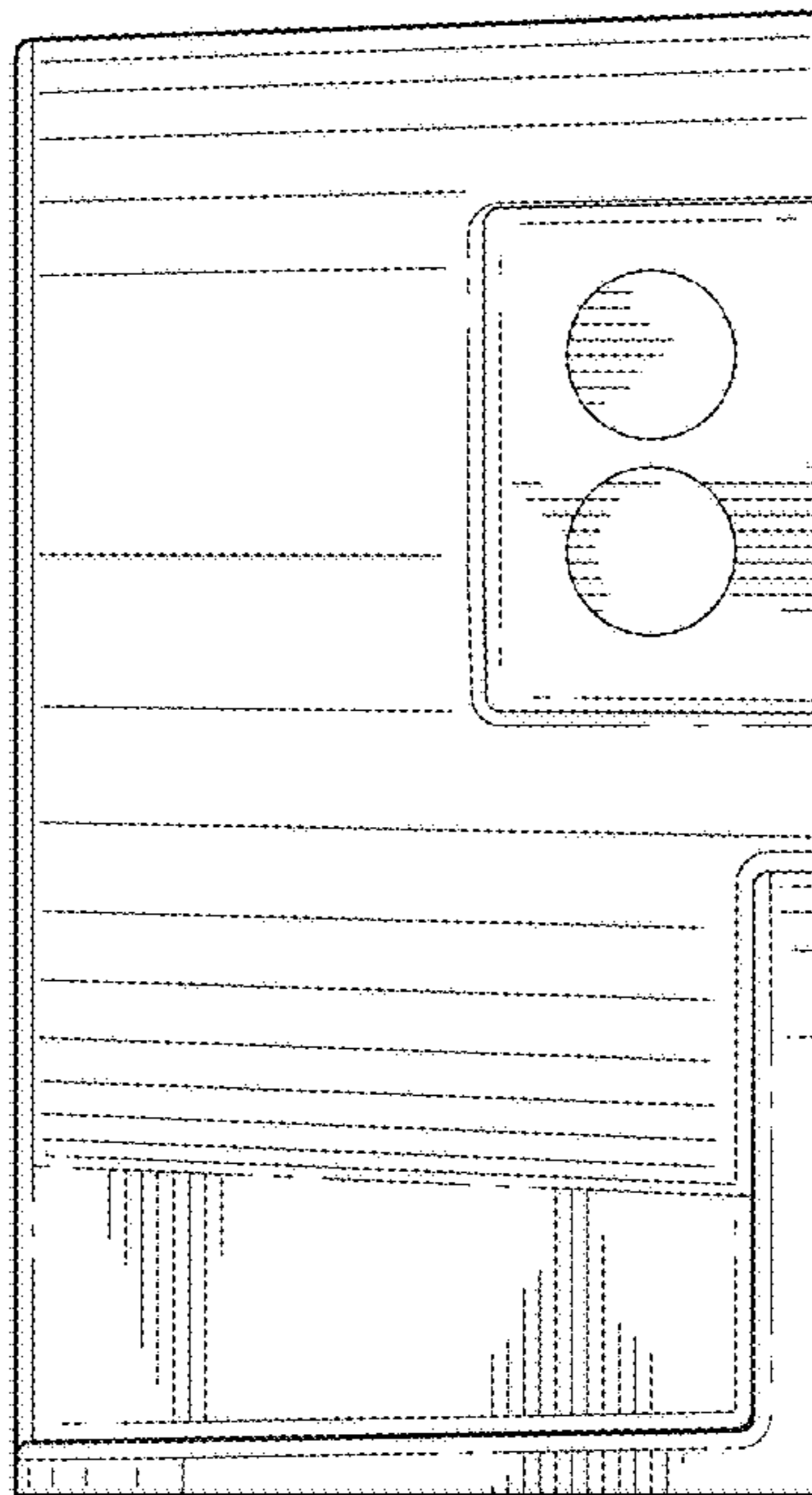


FIG. 5

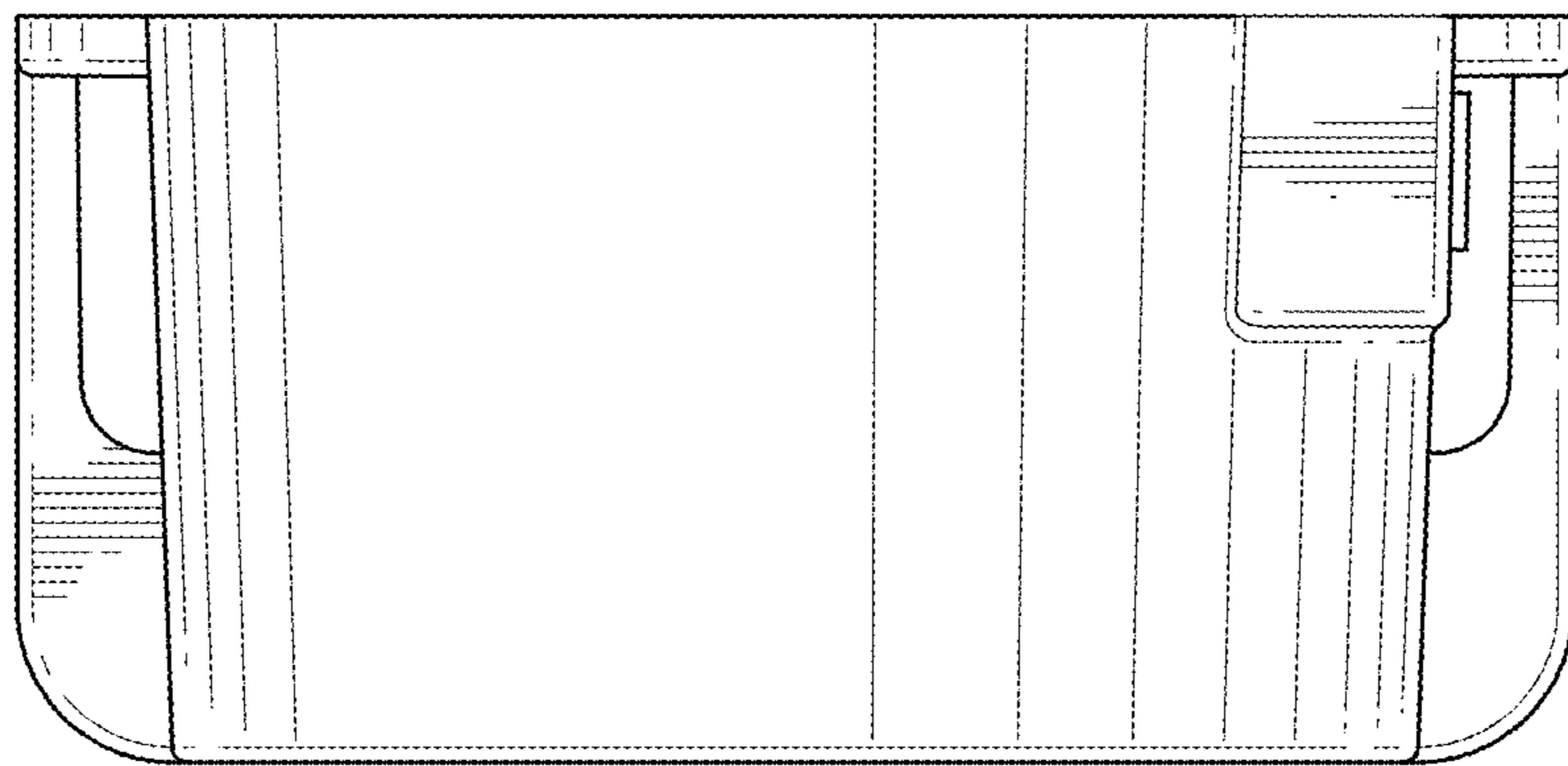


FIG. 6