

US00D856179S

(12) **United States Design Patent** (10) **Patent No.:** **US D856,179 S**
Lee (45) **Date of Patent:** **** Aug. 13, 2019**

(54) **SCALE CONTROLLER**

(71) Applicant: **JIANGYIN SUOFEI ELECTRONIC TECHNOLOGY CO., LTD.**, Jiangyin (CN)

(72) Inventor: **Justin Lee**, Jiangyin (CN)

(**) Term: **15 Years**

(21) Appl. No.: **29/633,579**

(22) Filed: **Jan. 15, 2018**

(51) **LOC (12) Cl.** **10-04**

(52) **U.S. Cl.**
USPC **D10/94**

(58) **Field of Classification Search**

USPC D10/91, 94
CPC G01G 23/18; G01G 23/36; G01G 23/37; G01G 23/3728; G01G 23/3735; G01G 23/42; G01G 19/44; G01G 19/445; G01G 19/46; G01G 19/48; G01G 19/50; G01G 21/28; G01G 21/283; G01G 19/286; G01G 19/30; A61B 5/053; A61B 5/4872; A61B 5/0537; A61B 5/4869; A61B 5/6825; A61B 5/6829; A61B 5/7445
See application file for complete search history.

(56) **References Cited**

U.S. PATENT DOCUMENTS

D307,873 S * 5/1990 Hart D10/91
D308,346 S * 6/1990 Nakagawa D10/94

D313,565 S * 1/1991 Carnevale D10/94
7,795,549 B2 * 9/2010 Hansen G01G 23/18
174/520
9,752,923 B2 * 9/2017 Izumo G01D 9/00

* cited by examiner

Primary Examiner — Antoine Duval Davis

(74) *Attorney, Agent, or Firm* — W&K IP

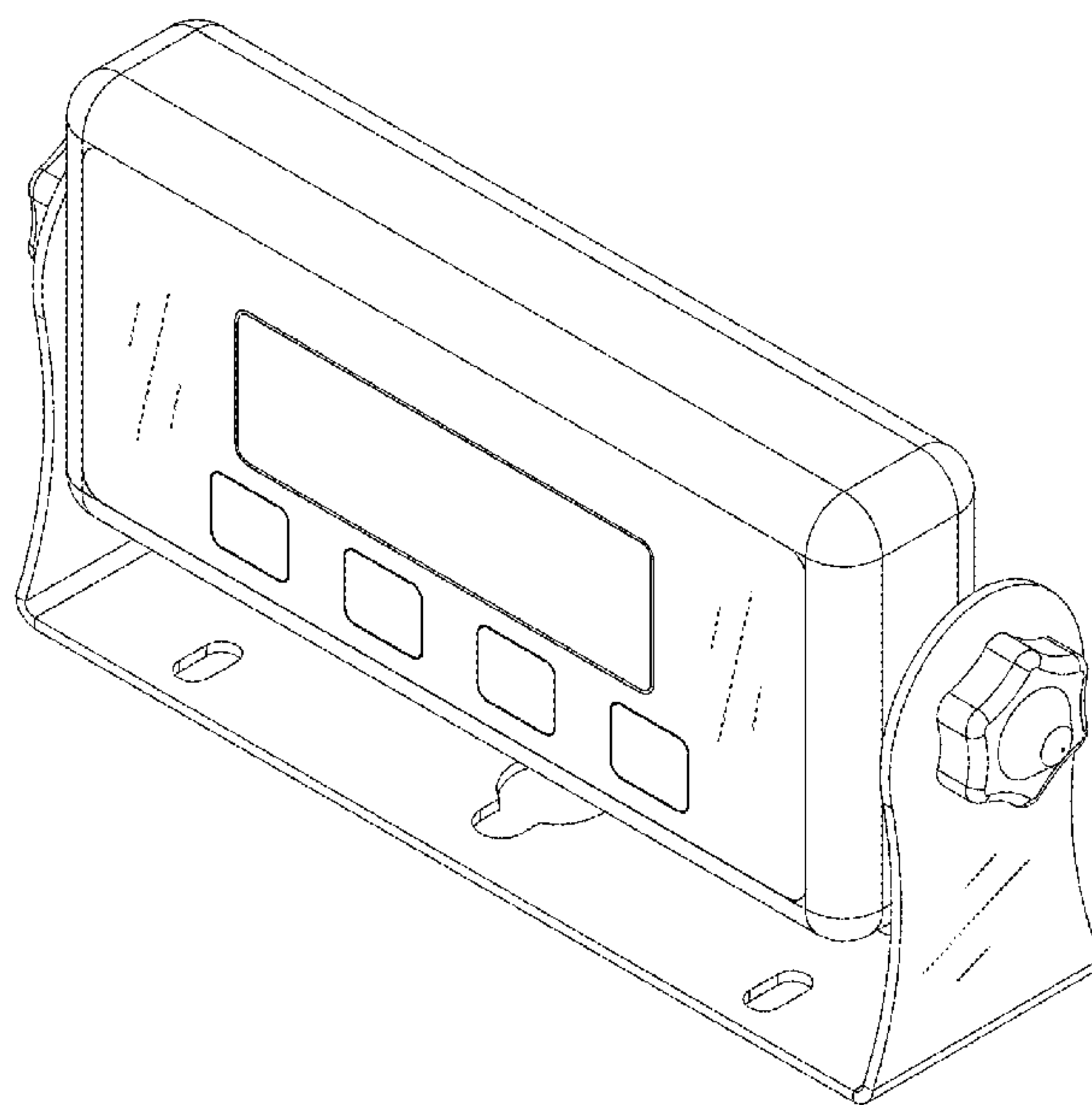
(57) **CLAIM**

The ornamental design for a scale controller, as shown and described.

DESCRIPTION

FIG. 1 is a perspective view of a scale controller; FIG. 2 is a front elevation view thereof; FIG. 3 is a rear elevation view thereof; FIG. 4 is a left side elevation view thereof; FIG. 5 is a right side elevation view thereof; FIG. 6 is a top plan view thereof; and, FIG. 7 is a bottom plan view thereof. The broken lines in the drawings are for the purpose of illustrating portions of the scale controller that form no part of the claimed design.

1 Claim, 7 Drawing Sheets



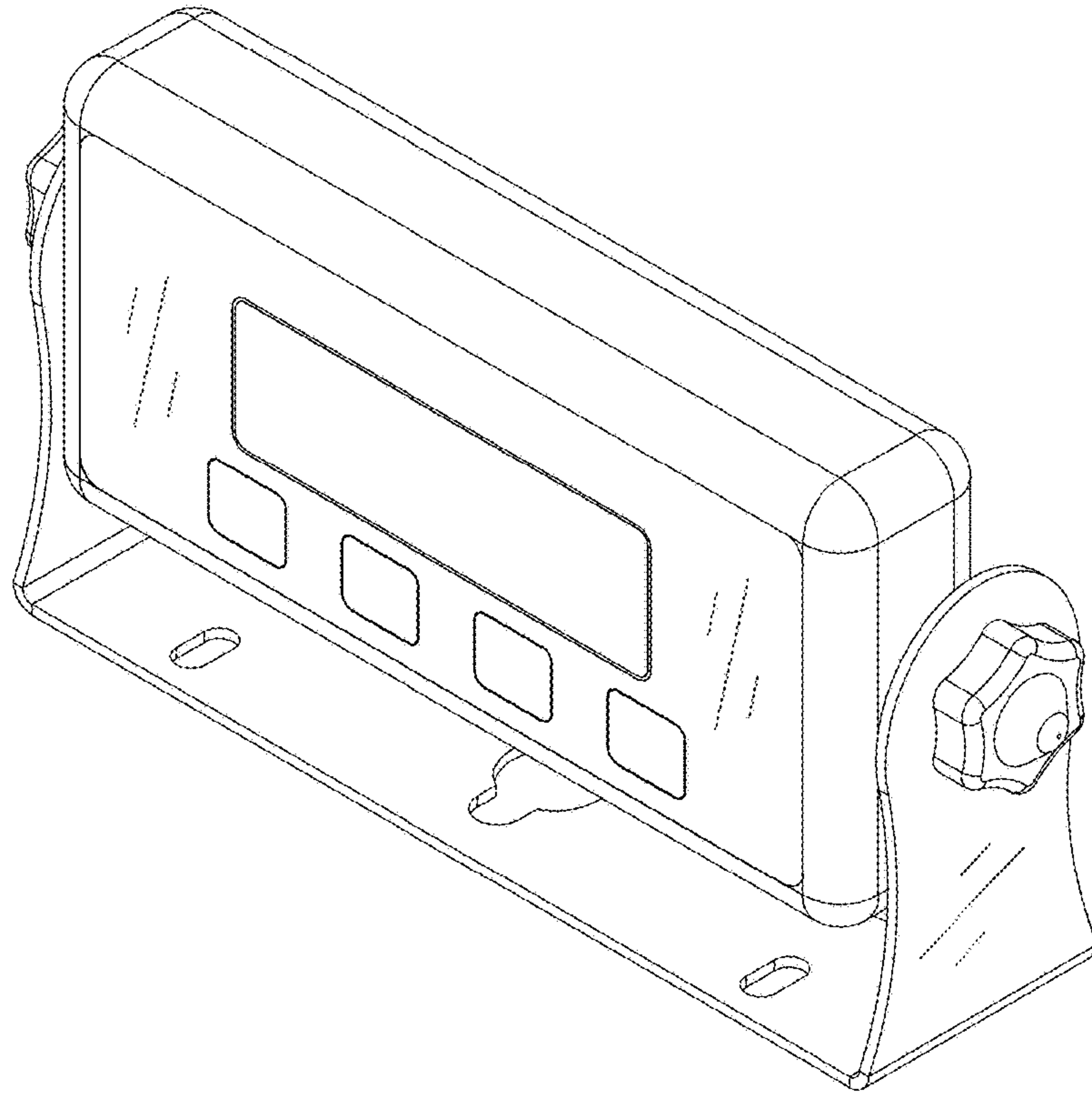


FIG.1

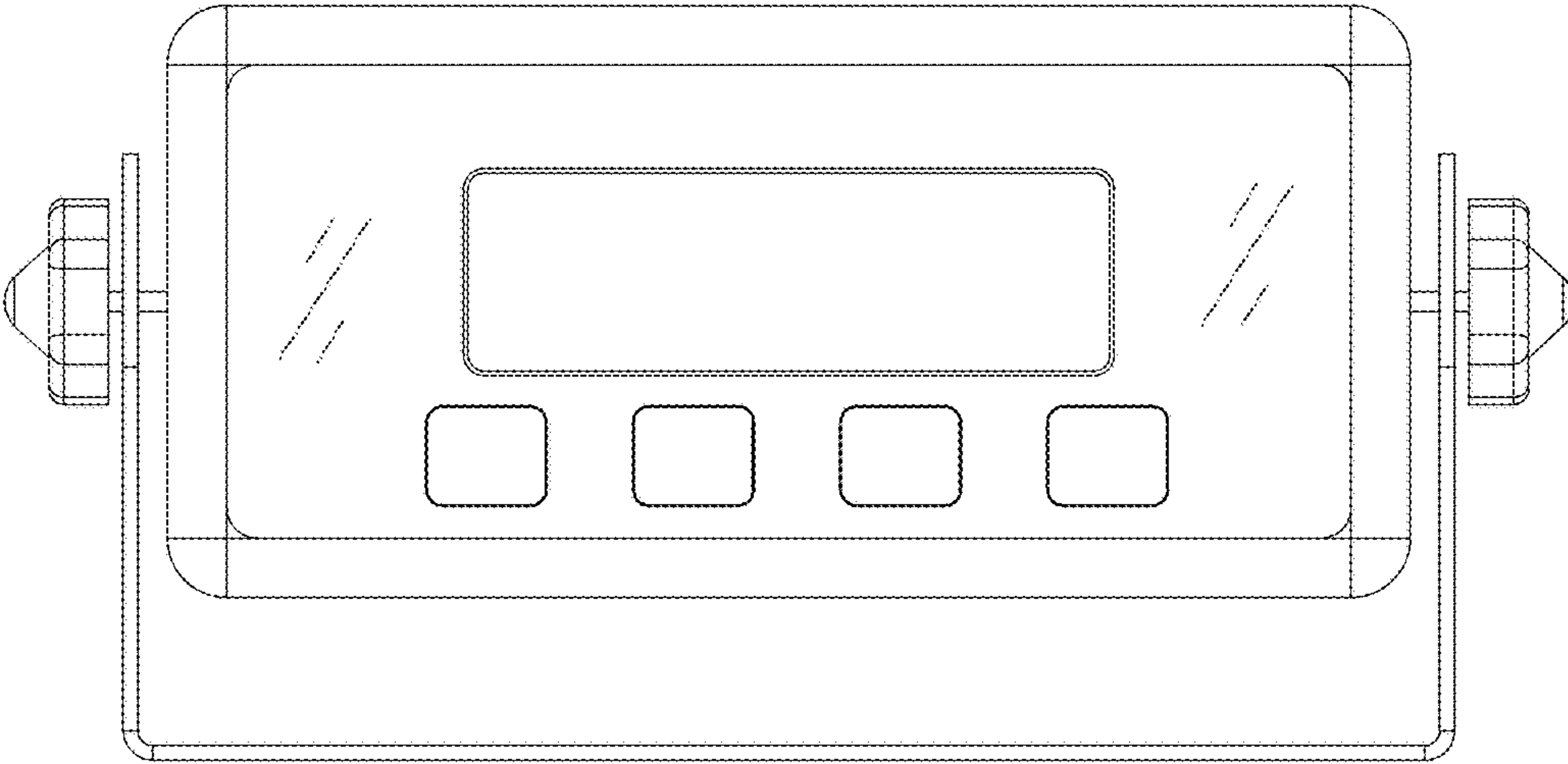


FIG.2

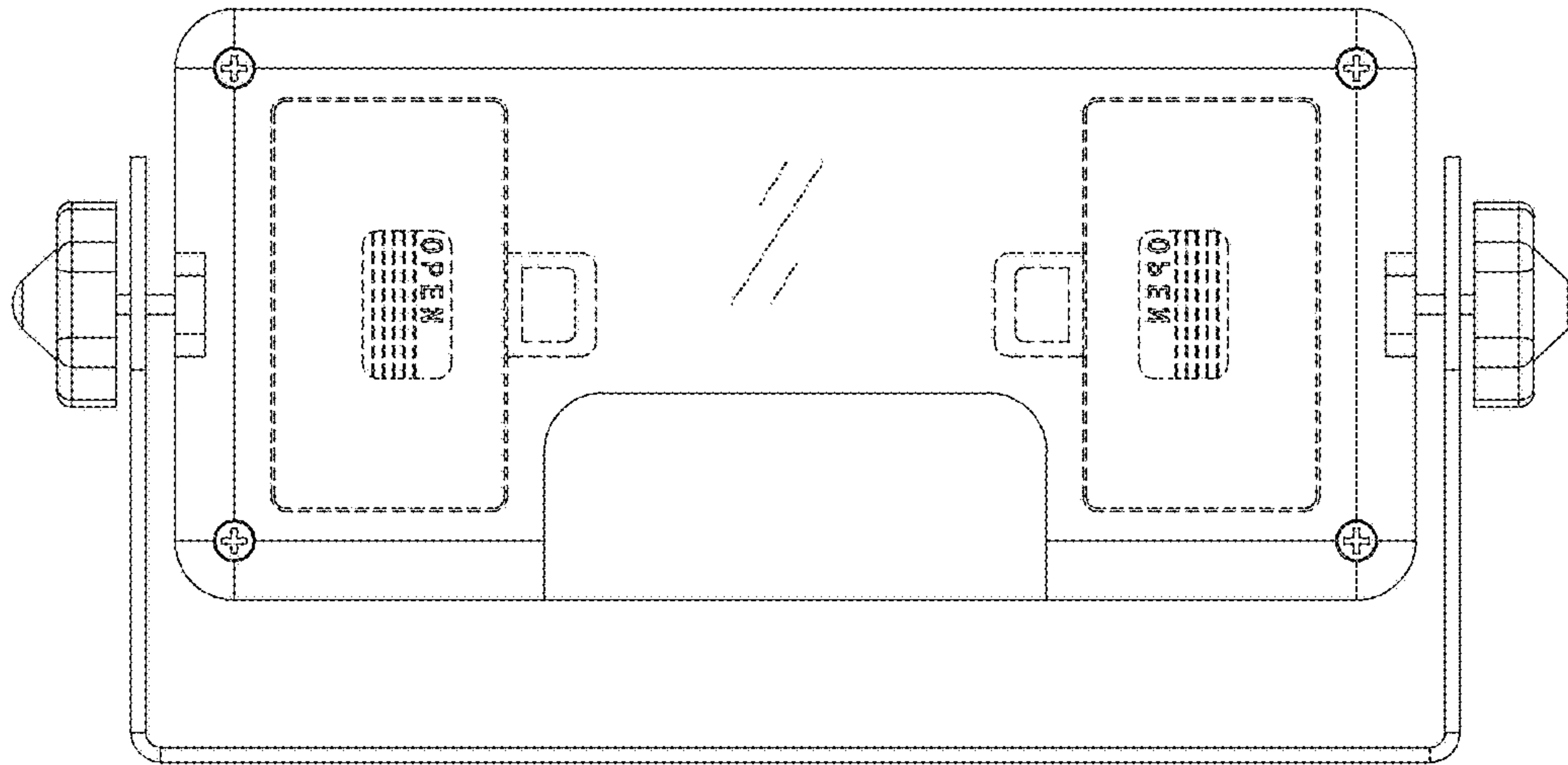


FIG.3

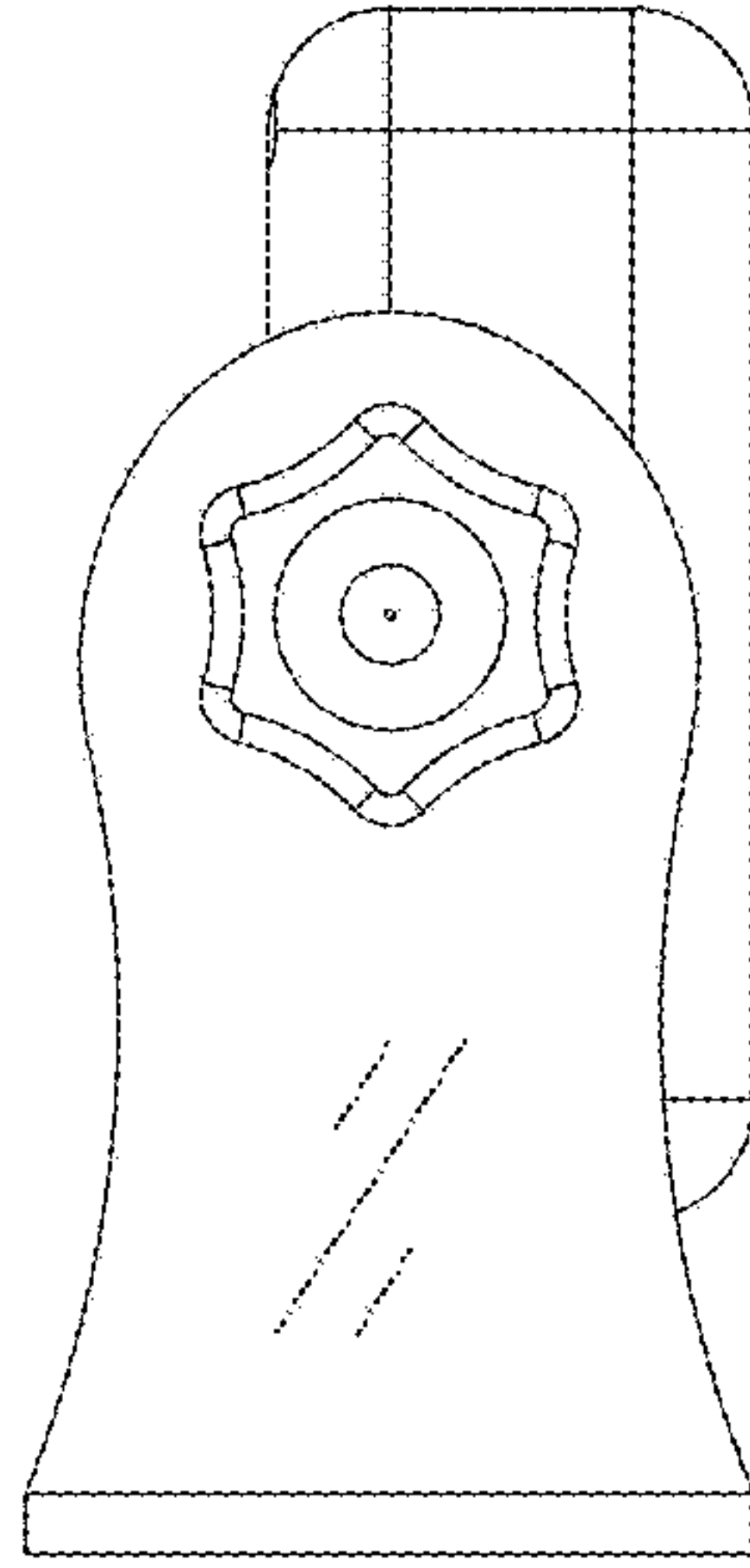


FIG. 4

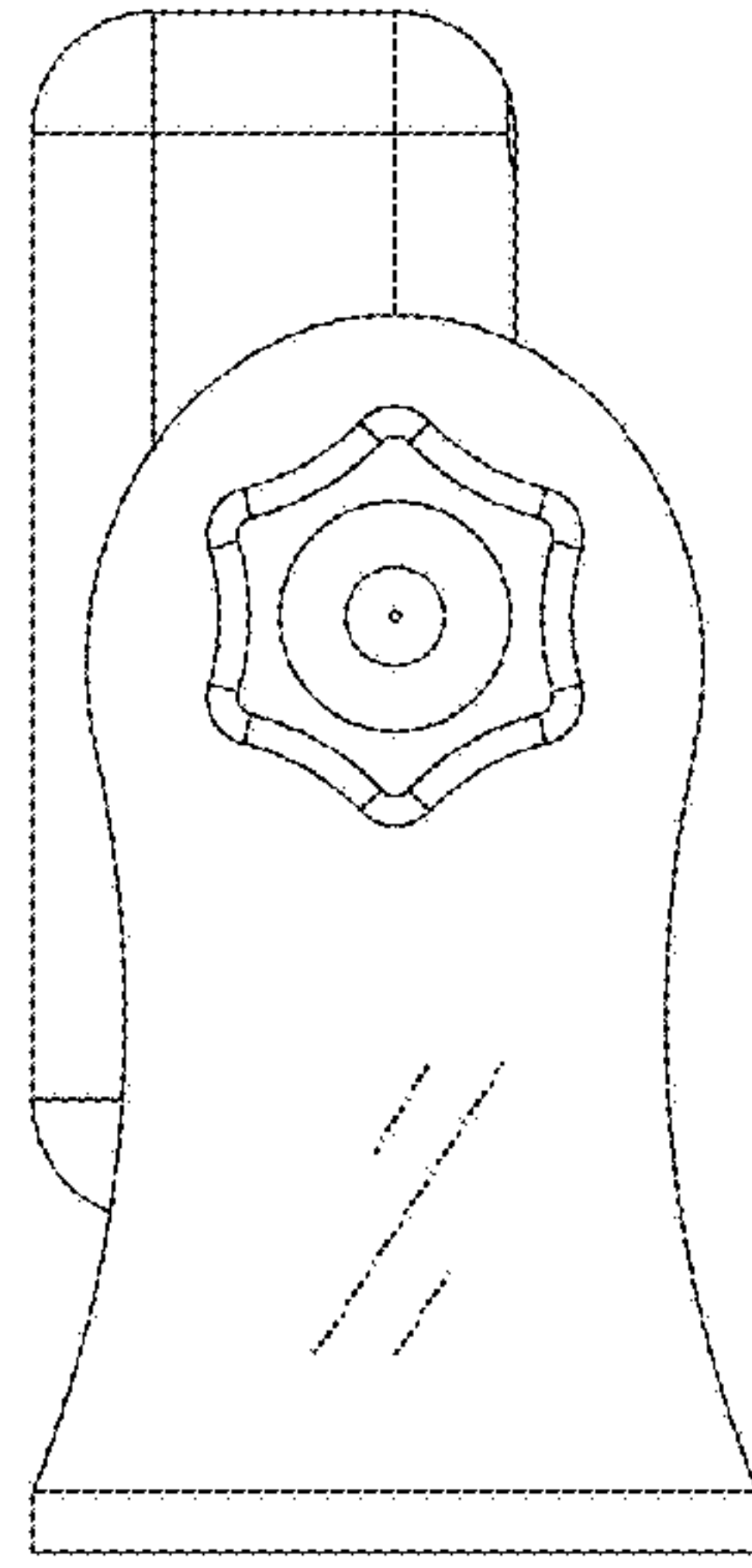


FIG.5

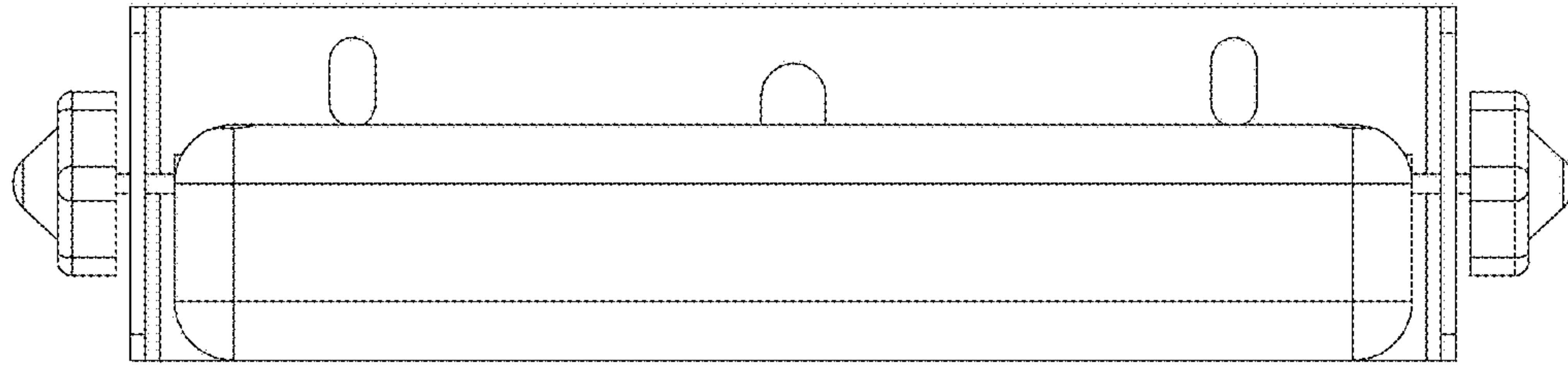


FIG.6

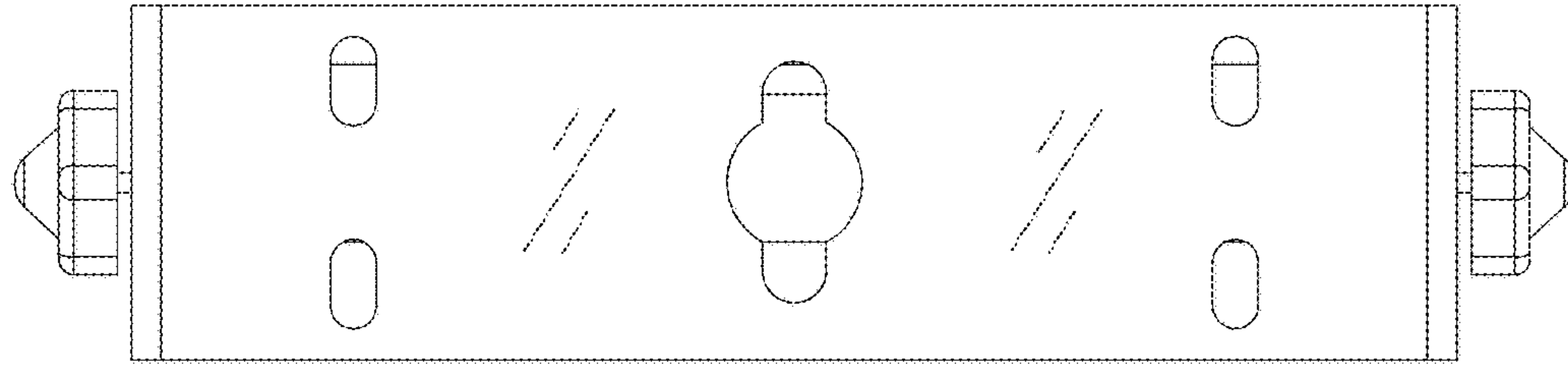


FIG. 7