



US00D856178S

(12) **United States Design Patent** (10) **Patent No.:** **US D856,178 S**
Hou (45) **Date of Patent:** **** Aug. 13, 2019**

(54) **CONNECTOR FOR VEHICLE DIAGNOSIS**

(71) Applicant: **Shenzhen JDiag Electronics Technology Co., Ltd., Shenzhen (CN)**

(72) Inventor: **Liang Hou, Guangdong (CN)**

(**) Term: **15 Years**

(21) Appl. No.: **29/648,064**

(22) Filed: **May 17, 2018**

(51) **LOC (12) Cl.** **10-04**

(52) **U.S. Cl.**
USPC **D10/80; D13/133**

(58) **Field of Classification Search**
USPC **D10/80; D13/133, 146, 147, 148, 149;**
439/152, 559, 607.01, 607.02, 607.03,
439/607.04, 607.05, 607.06, 607.07,
439/607.08, 607.09, 607.1, 607.11,
439/607.12, 607.13, 607.14, 607.15,
439/607.16, 607.17, 607.18, 607.19,
439/607.2, 607.21, 607.22, 607.23,
439/607.24, 607.25, 607.26, 607.27,
439/607.28, 607.29, 607.3, 607.31,
439/607.32, 607.33, 607.34, 607.35,
439/607.36, 607.37, 607.38, 607.39,
439/607.4, 607.41, 607.42, 607.43,
439/607.44, 607.45, 607.46, 607.47,
439/607.48, 607.49, 607.5, 607.51,
439/607.52, 607.53, 607.54, 607.55,
439/607.56, 607.57, 607.58, 607.59, 350,
439/353, 352, 357, 752, 358
CPC .. **H01R 13/62; H01R 13/6205; H01R 13/621;**
H01R 13/6215; H01R 13/622; H01R
13/623; H01R 13/625; H01R 13/627;
H01R 13/6271; H01R 13/6272; H01R
13/6273; H01R 13/6275; H01R 13/6276;
H01R 13/6277; H01R 13/6278; H01R
13/629; H01R 13/62905; H01R 13/62911;
H01R 13/62916; H01R 13/62922; H01R
13/62927; H01R 13/62933; H01R
13/62938; H01R 13/62944; H01R

13/6295; H01R 13/62955; H01R
13/62961; H01R 13/62966; H01R
13/62972; H01R 13/62977; H01R
13/62983; H01R 13/62988; H01R
13/62994; H01R 13/631; H01R 13/6315;
H01R 13/633; H01R 13/6335; H01R
13/635; H01R 13/637; H01R 13/639;
H01R 13/6392; H01R 13/6395; H01R
13/6397; H01R 13/64; H01R 13/641;
H01R 13/642; H01R 13/645; H01R
13/6453; H01R 13/6456; H01R
(Continued)

(56) **References Cited**

U.S. PATENT DOCUMENTS

D458,226 S * 6/2002 Chin D13/145
D544,843 S * 6/2007 Sugita D13/133
(Continued)

Primary Examiner — Antoine Duval Davis
(74) *Attorney, Agent, or Firm* — Prakash Nama; Global
IP Services, PLLC

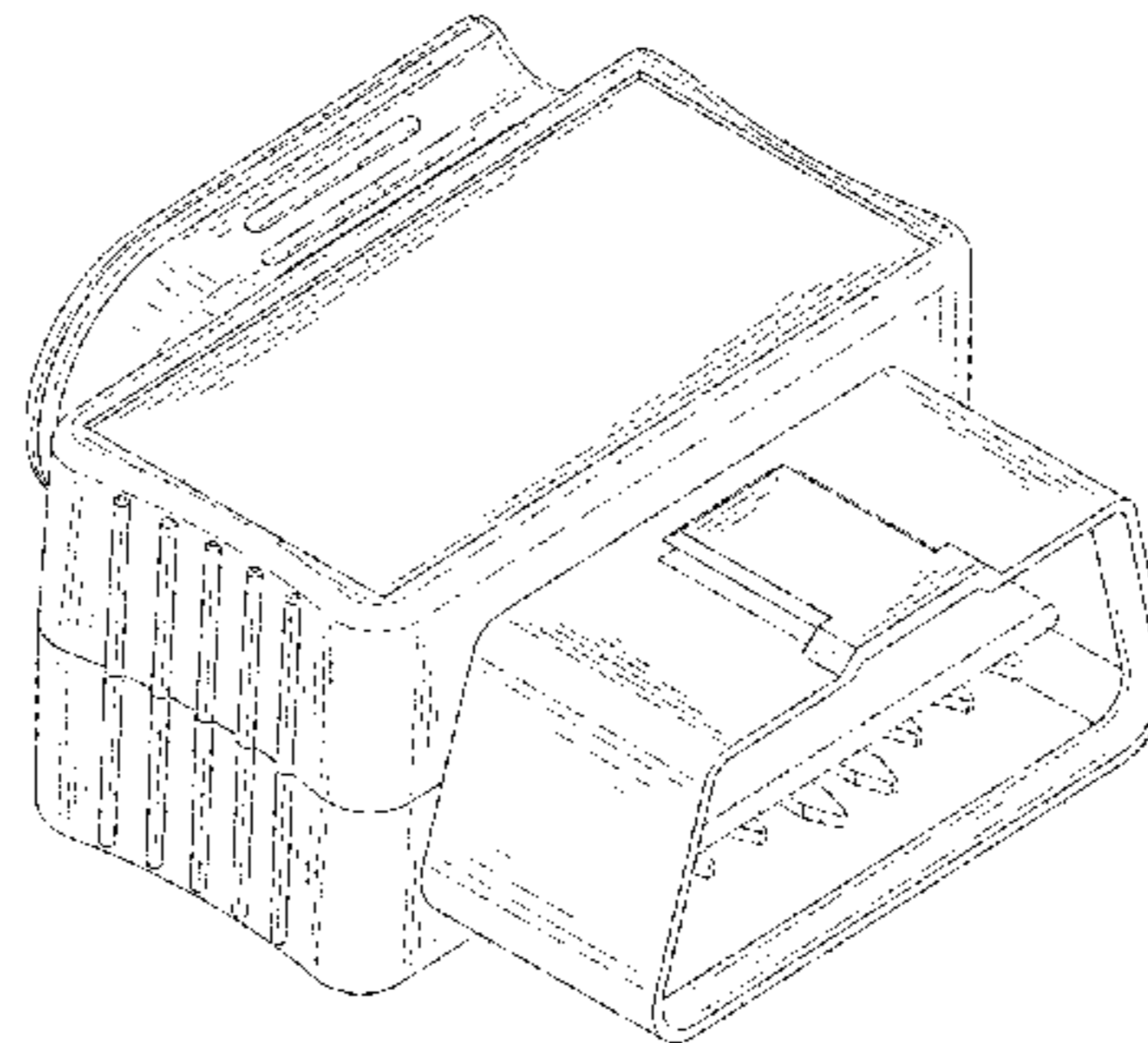
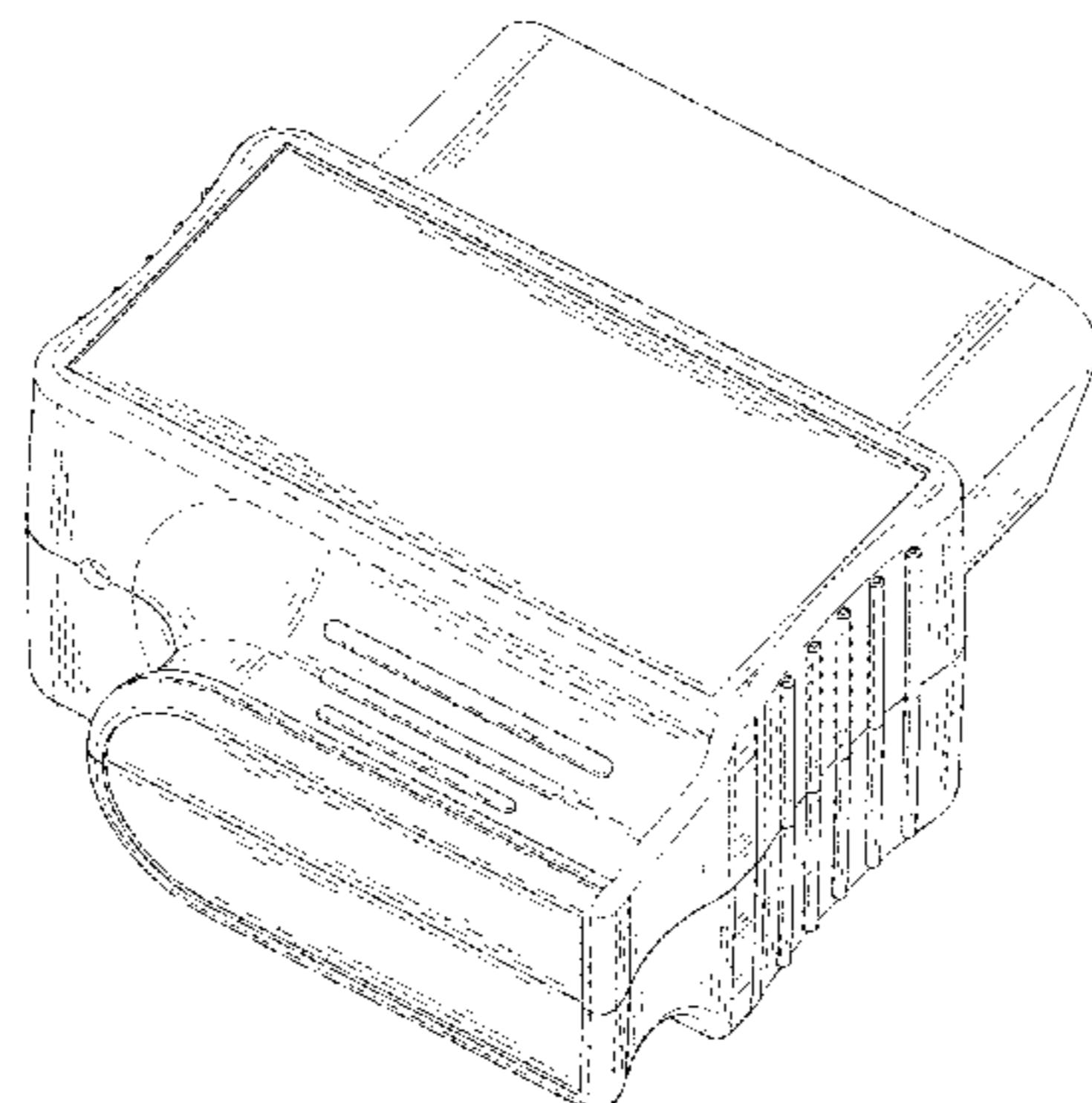
(57) **CLAIM**

The ornamental design for a connector for vehicle diagnosis,
as shown and described.

DESCRIPTION

FIG. 1 is a front elevational view of a connector for vehicle
diagnosis showing my new design;
FIG. 2 is a rear elevational view thereof;
FIG. 3 is a left side view thereof;
FIG. 4 is a right side view thereof;
FIG. 5 is a top plan view thereof;
FIG. 6 is a bottom plan view thereof;
FIG. 7 is a perspective view thereof; and,
FIG. 8 is another perspective view thereof.
The broken lines shown depict portions of the connector for
vehicle diagnosis that form no part of the claimed design.

1 Claim, 8 Drawing Sheets



(58) **Field of Classification Search**

CPC 13/646; H01R 13/6461; H01R 13/6463;
H01R 13/6464; H01R 13/6466; H01R
13/6467; H01R 13/6469; H01R 13/6471;
H01R 13/6473; H01R 13/6474; H01R
13/6476; H01R 13/6477; H01R 13/648;
H01R 13/6485; H01R 13/652; H01R
13/655; H01R 13/658; H01R 13/6581;
H01R 13/6582; H01R 13/6583; H01R
13/6584; H01R 13/6585; H01R 13/6586;
H01R 13/6587; H01R 13/6588; H01R
13/659; H01R 13/6591; H01R 13/6592;
H01R 13/6593; H01R 13/6594; H01R
13/6595; H01R 13/6596; H01R 13/6597;
H01R 13/6598; H01R 13/6599; H01R
2201/00; H01R 2201/02; H01R 2201/04;
H01R 2201/06; H01R 2201/08; H01R
2201/10; H01R 2201/12; H01R 2201/14;
H01R 2201/16; H01R 2201/18; H01R
2201/20; H01R 2201/22; H01R 2201/24;
H01R 2201/26

See application file for complete search history.

(56) **References Cited**

U.S. PATENT DOCUMENTS

D596,574 S * 7/2009 Huang D13/147
D795,875 S * 8/2017 Kim D14/433

* cited by examiner

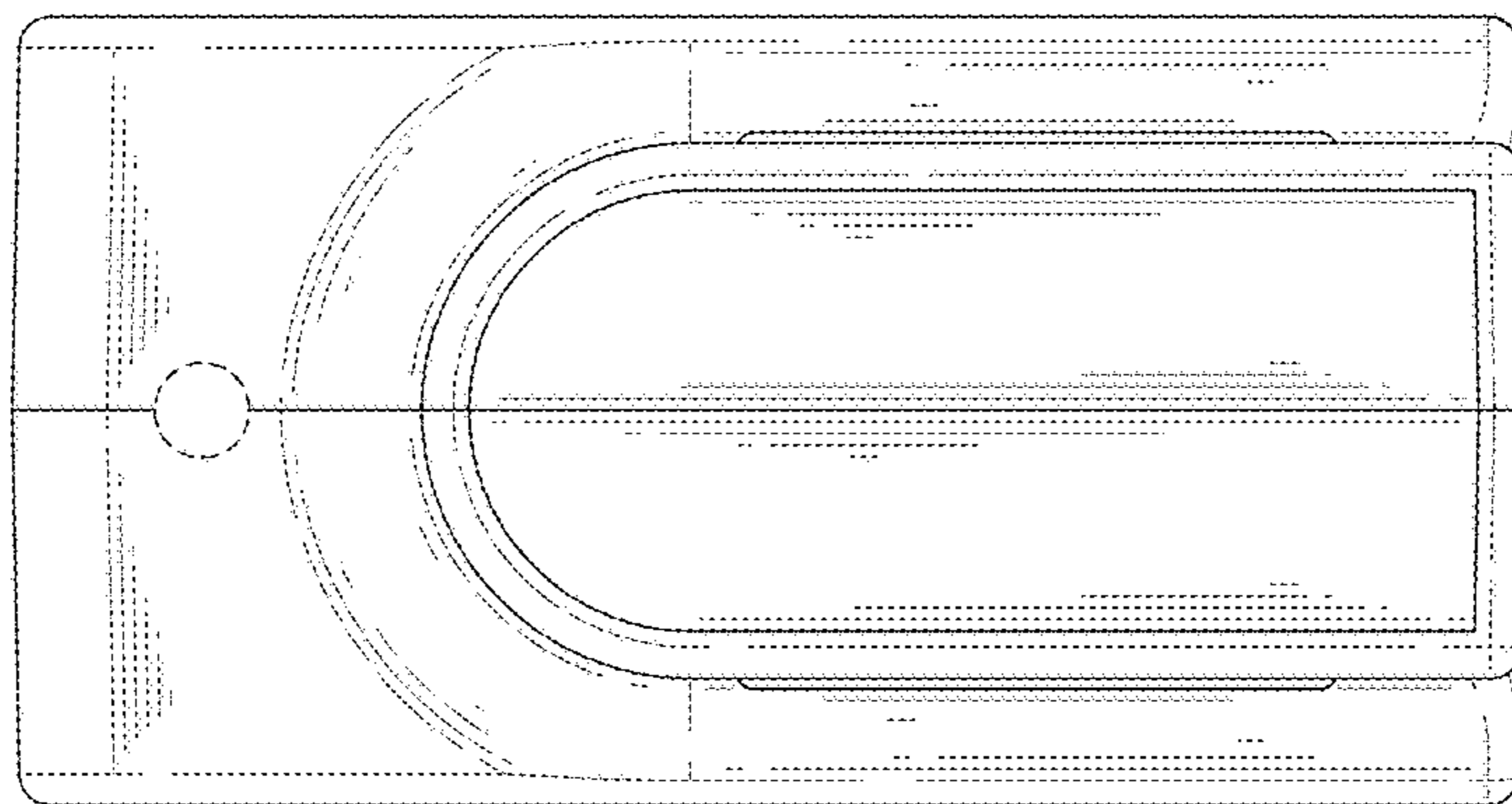


FIG. 1

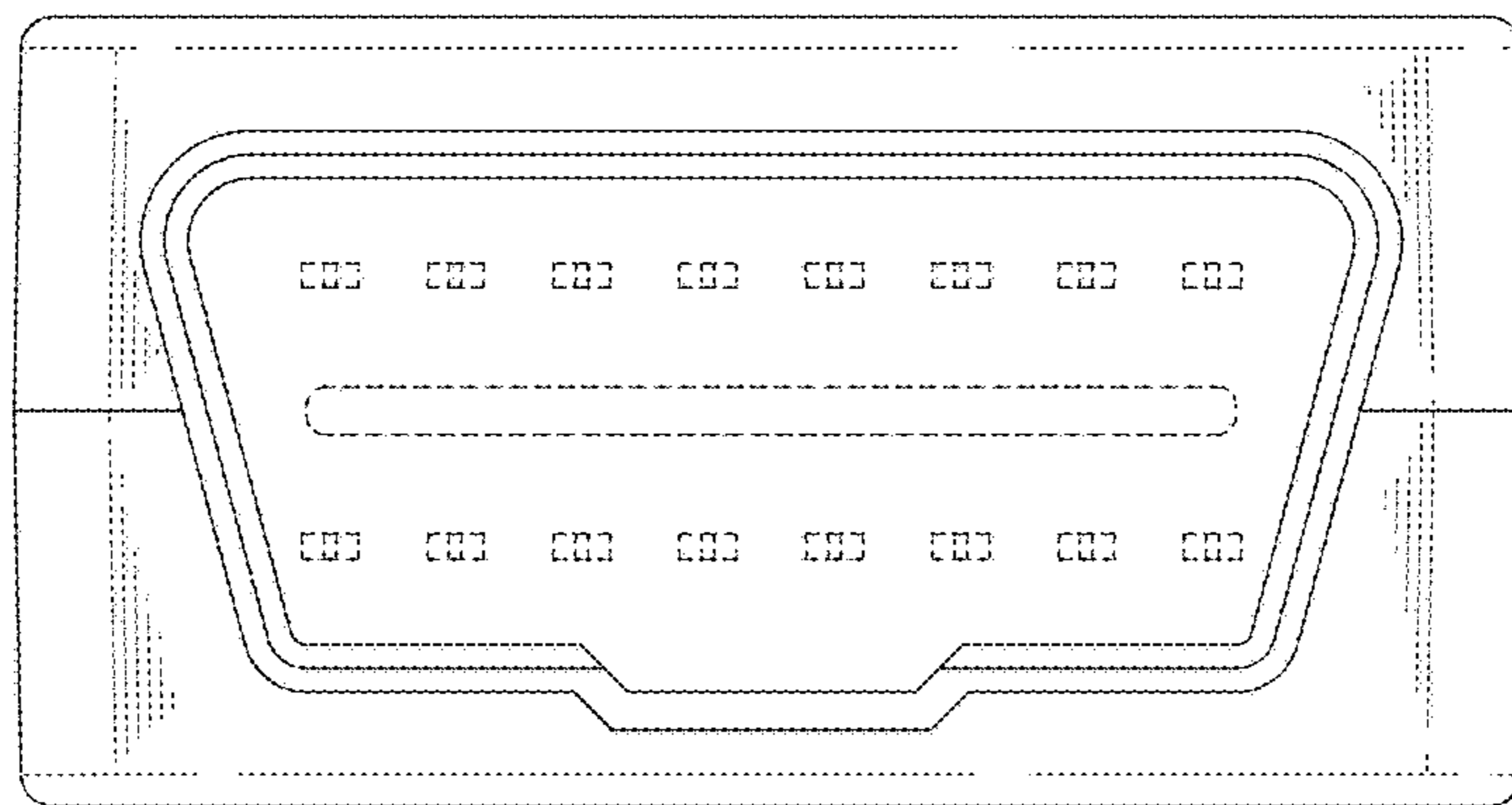


FIG. 2

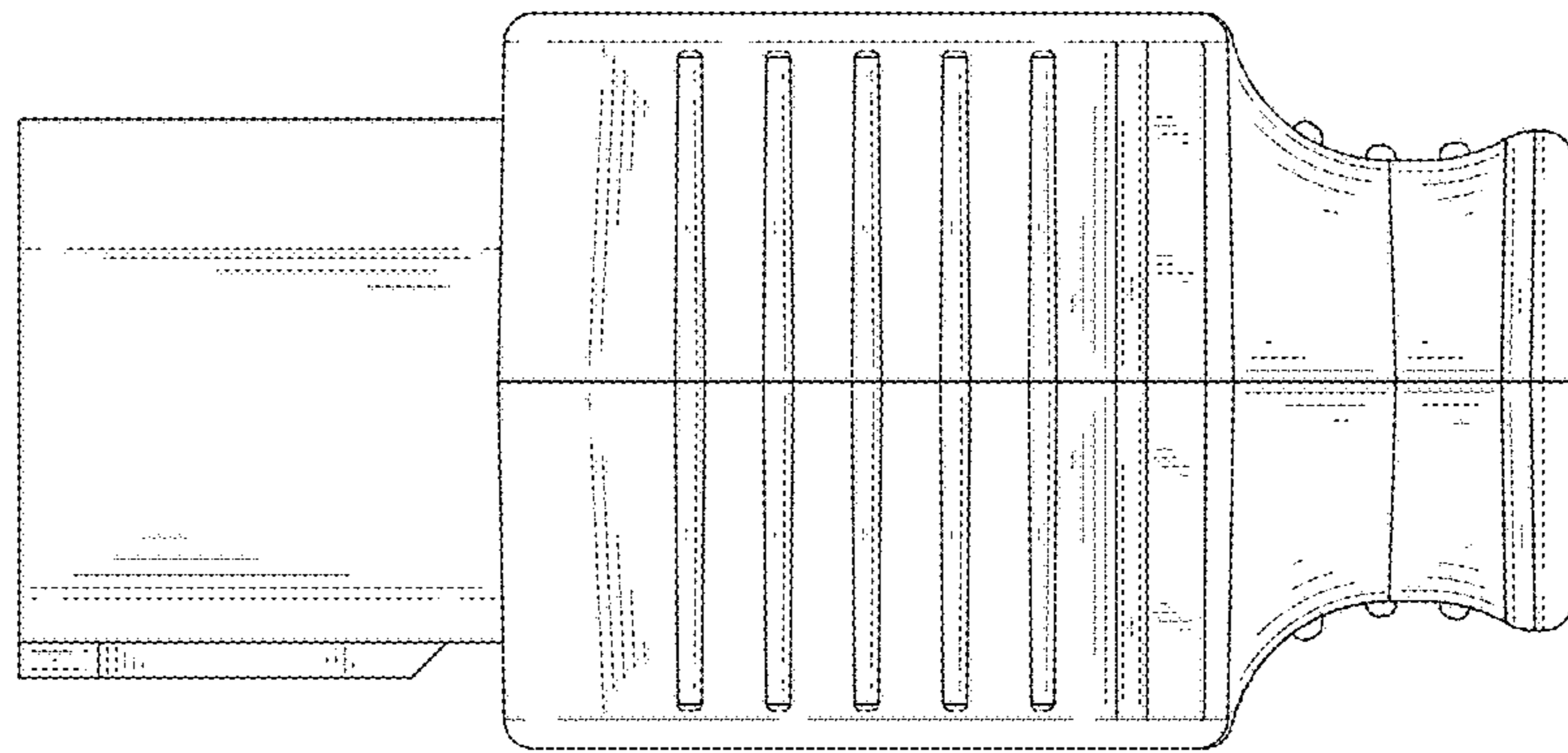


FIG. 3

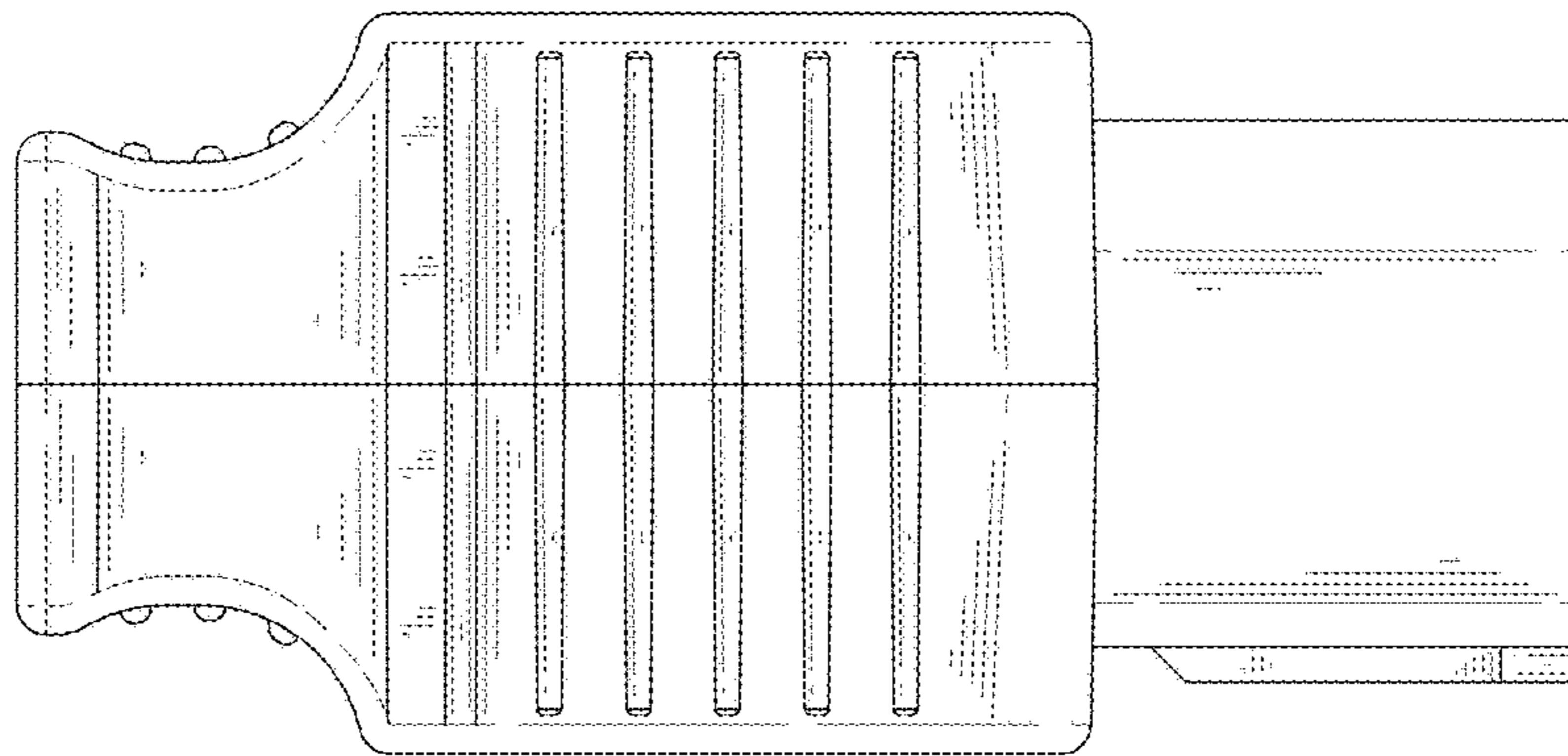


FIG. 4

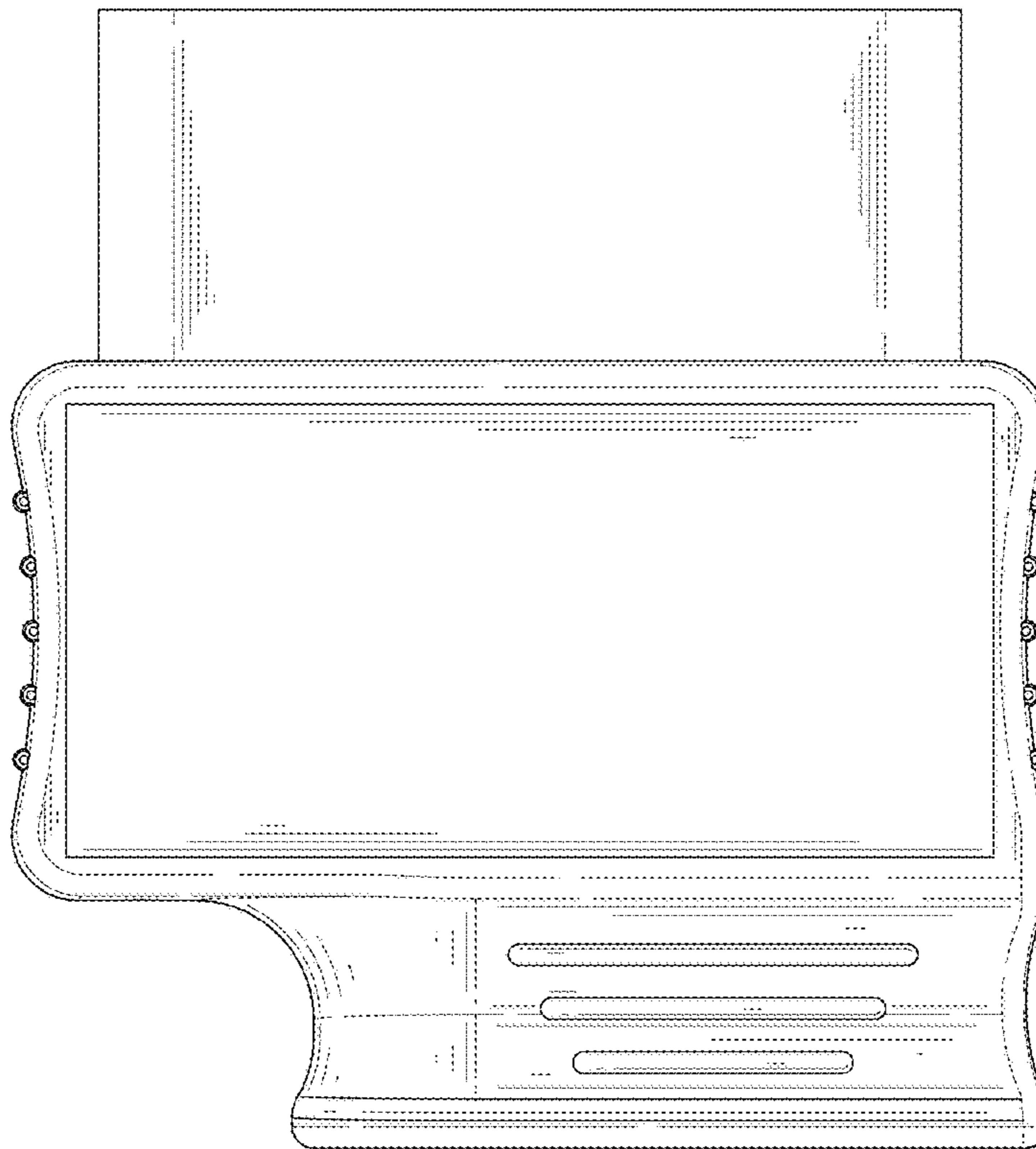


FIG. 5

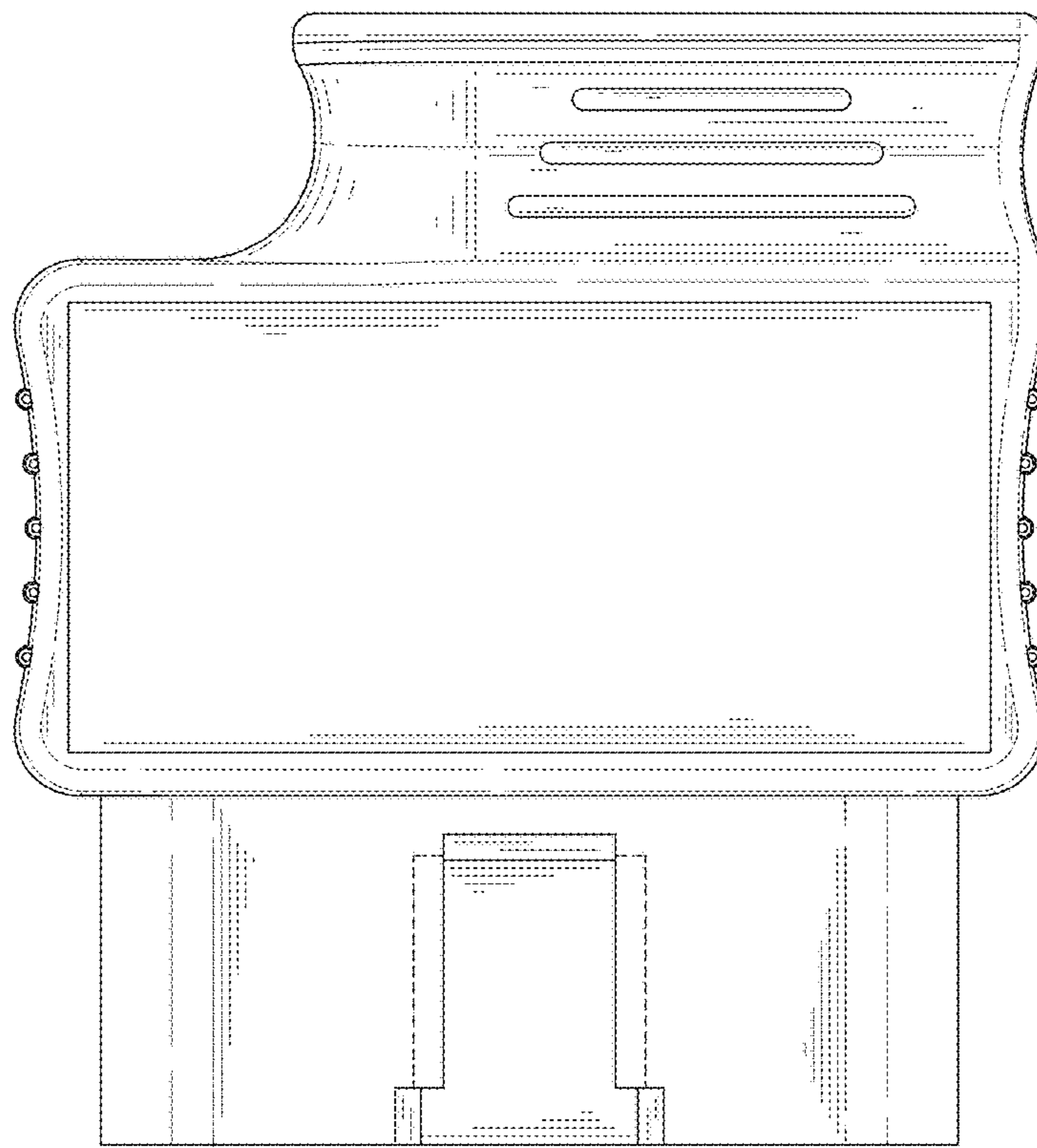


FIG. 6

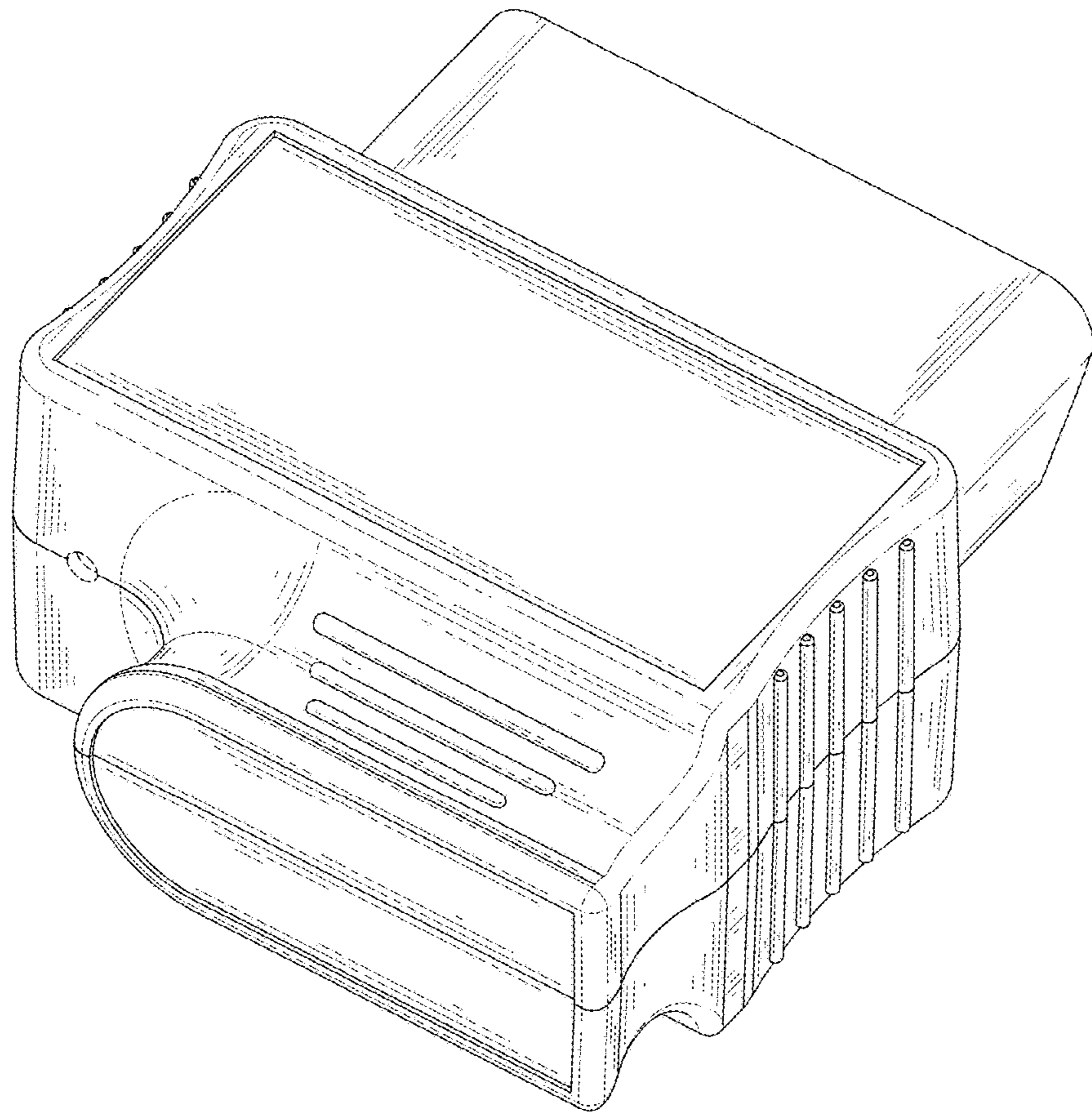


FIG. 7

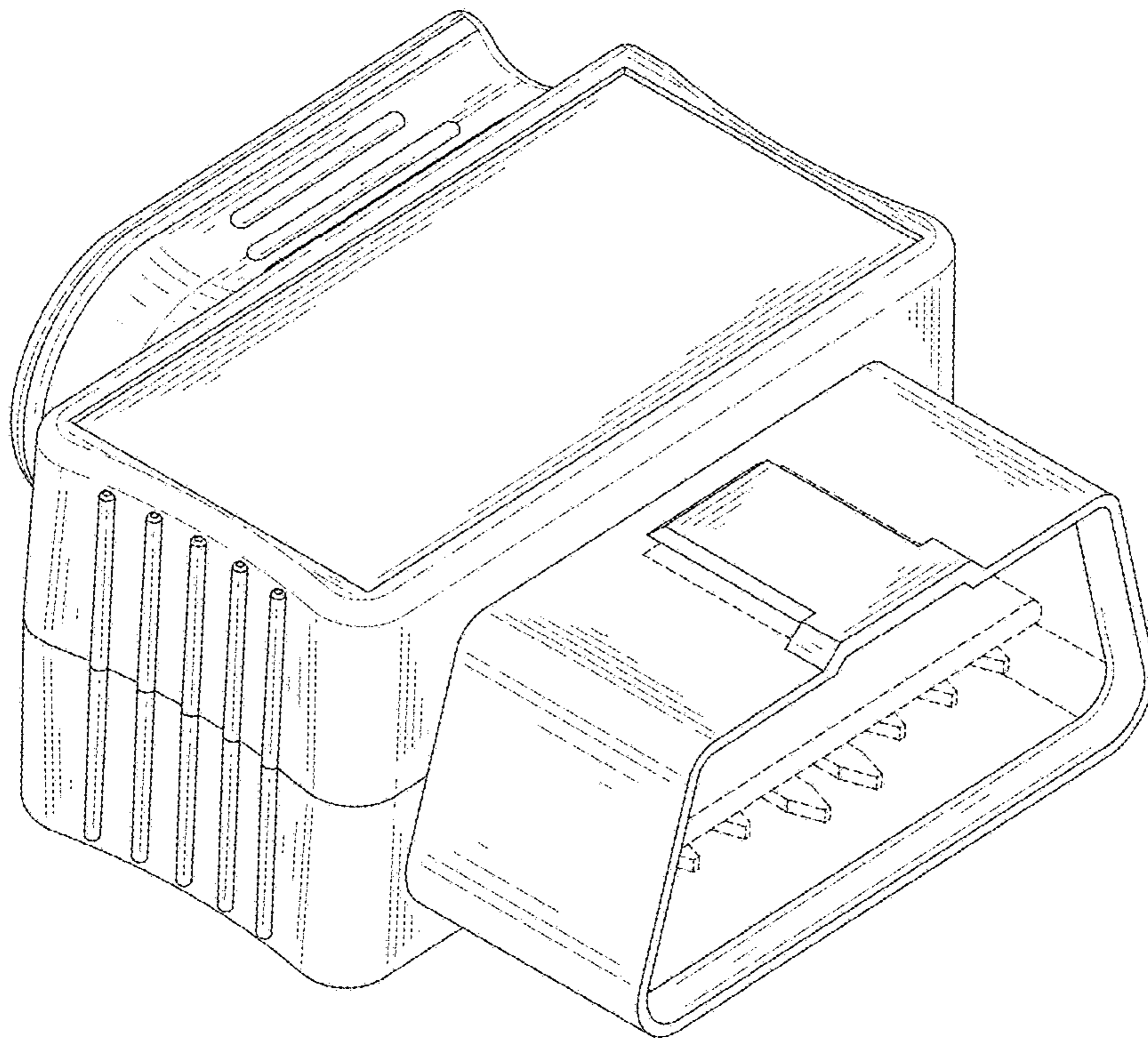


FIG. 8