

US00D856177S

(12) **United States Design Patent** (10) **Patent No.:** **US D856,177 S**
Chien (45) **Date of Patent:** **** Aug. 13, 2019**

(54) **SOCKET TESTER**

(71) Applicant: **PEACEFUL THRIVING ENTERPRISE CO., LTD.**, Changhua County (TW)

(72) Inventor: **Shih-Hsiang Chien**, Changhua County (TW)

(73) Assignee: **PEACEFUL THRIVING ENTERPRISE CO., LTD.**, Changhua County (TW)

(**) Term: **15 Years**

(21) Appl. No.: **29/648,948**

(22) Filed: **May 24, 2018**

(51) **LOC (12) Cl.** **10-04**

(52) **U.S. Cl.**
USPC **D10/78**

(58) **Field of Classification Search**
USPC D10/78
CPC G01R 1/04; G01R 1/0408; G01R 1/0416;
G01R 1/0433; G01R 1/0441; G01R 1/045;
G01R 1/06; G01R 1/067; G01R 1/06705;
G01R 1/06788; G01R 19/145; G01R 19/15;
G01R 19/155

See application file for complete search history.

(56) **References Cited**

U.S. PATENT DOCUMENTS

D396,013	S	*	7/1998	Luebke	D10/78
D400,113	S	*	10/1998	Aalto	D10/78
D511,468	S	*	11/2005	Aromin	D10/78
D646,598	S	*	10/2011	Tian	D10/78
D712,762	S	*	9/2014	Glaser	D10/75

* cited by examiner

Primary Examiner — Antoine Duval Davis
(74) *Attorney, Agent, or Firm* — Raymond Y. Chan; David and Raymond Patent Firm

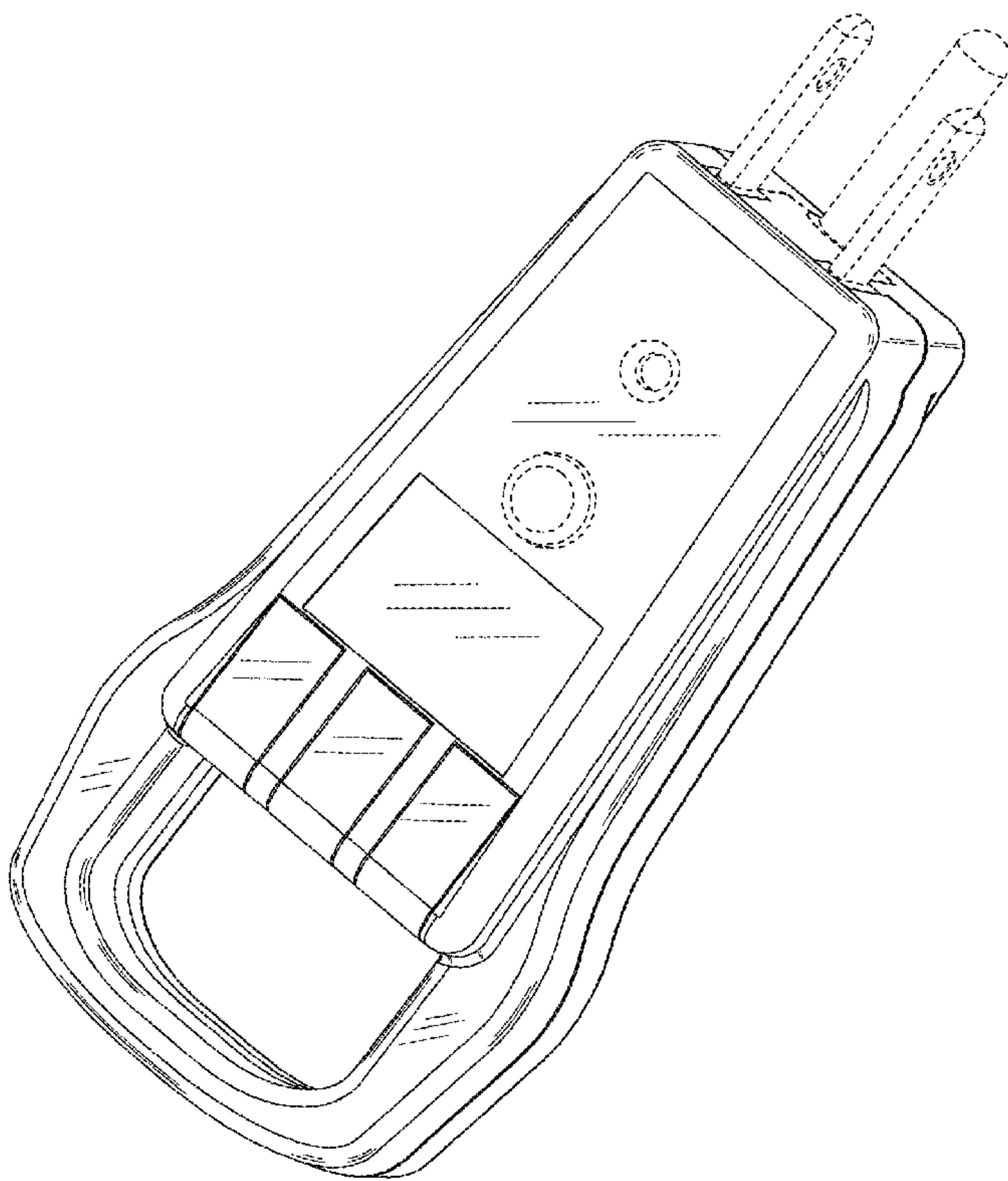
(57) **CLAIM**

The ornamental design for a socket tester, as shown and described.

DESCRIPTION

FIG. 1 is a perspective view of a socket tester showing my new design.
FIG. 2 is a front view thereof.
FIG. 3 is a rear view thereof.
FIG. 4 is a left view thereof.
FIG. 5 is a right view thereof.
FIG. 6 is a top view thereof; and,
FIG. 7 is a bottom view thereof.
The broken lines are for illustrative purpose only and form no part of the claimed design.

1 Claim, 7 Drawing Sheets



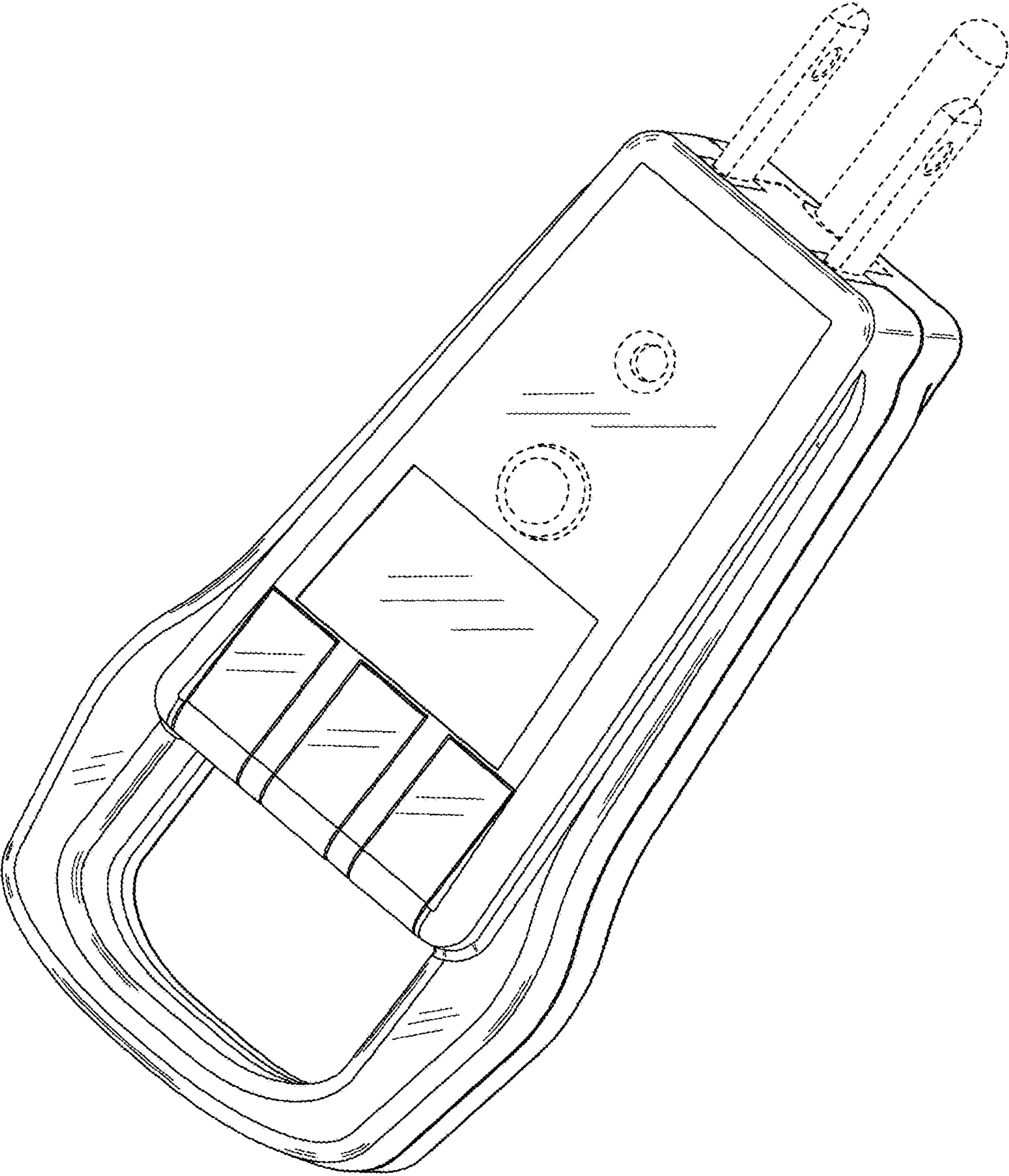


FIG 1

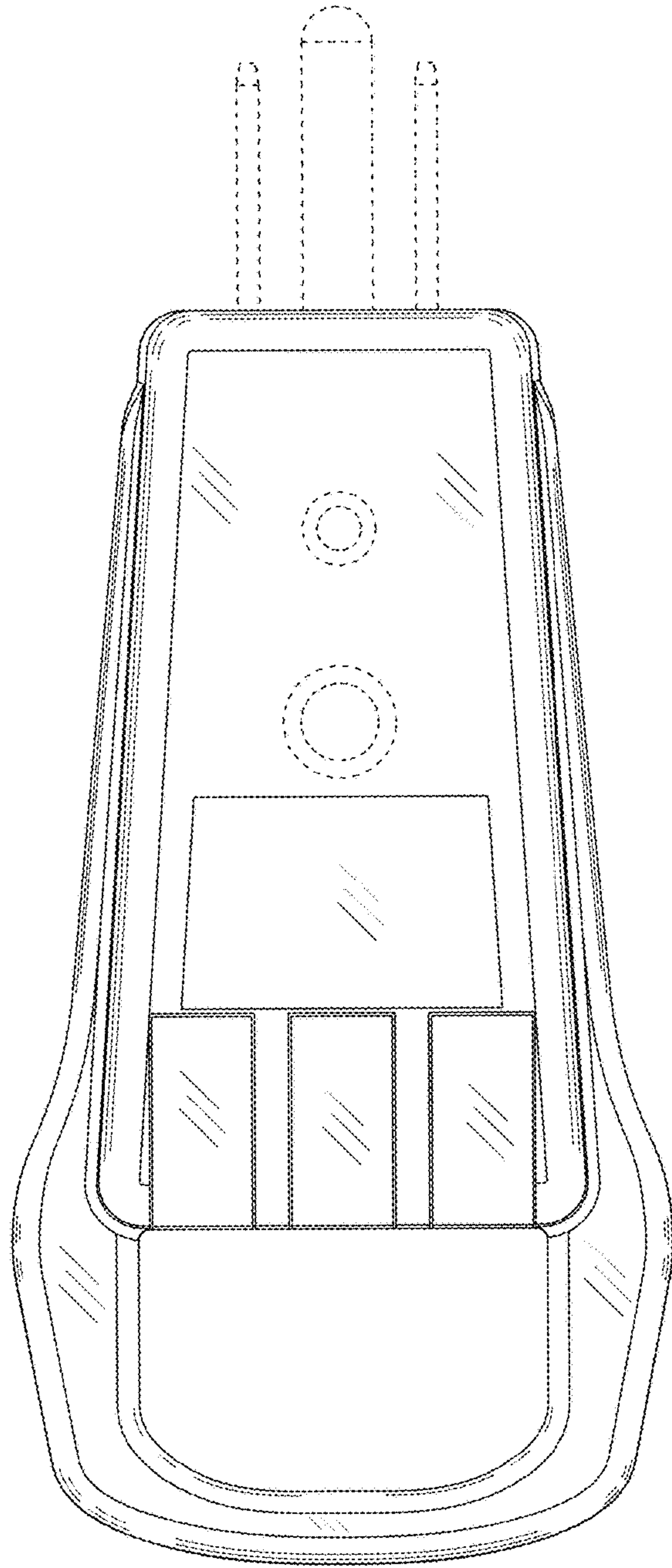


FIG 2

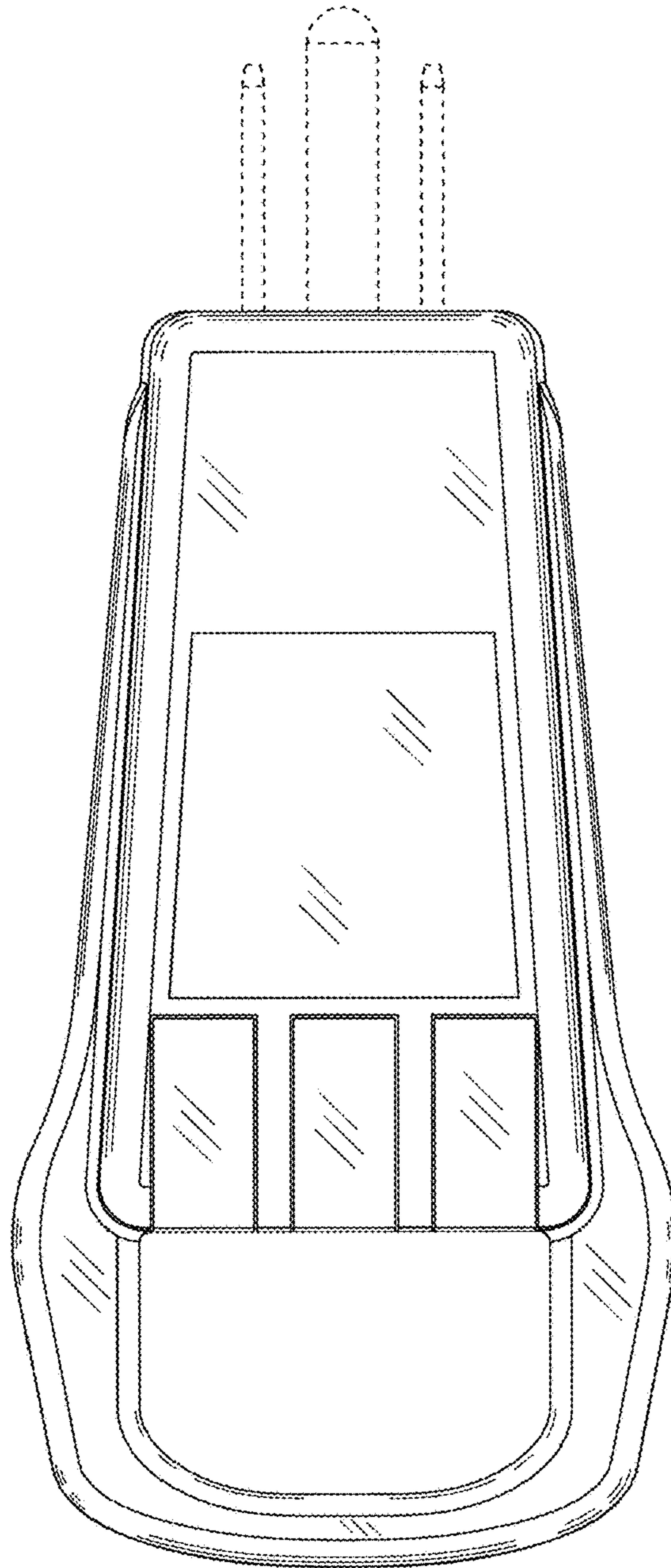


FIG 3

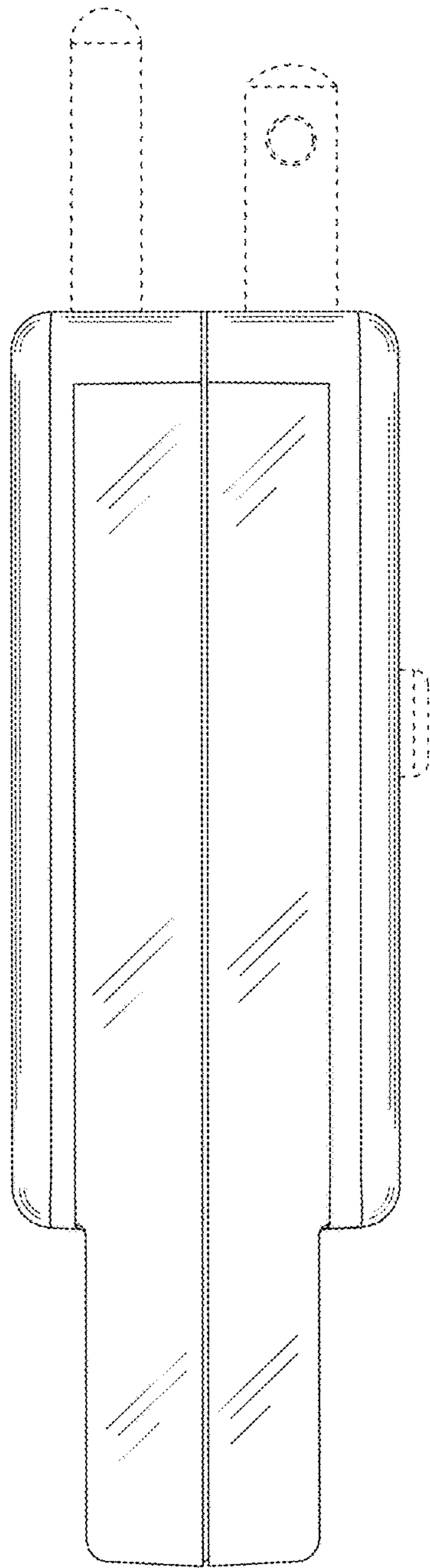


FIG 4

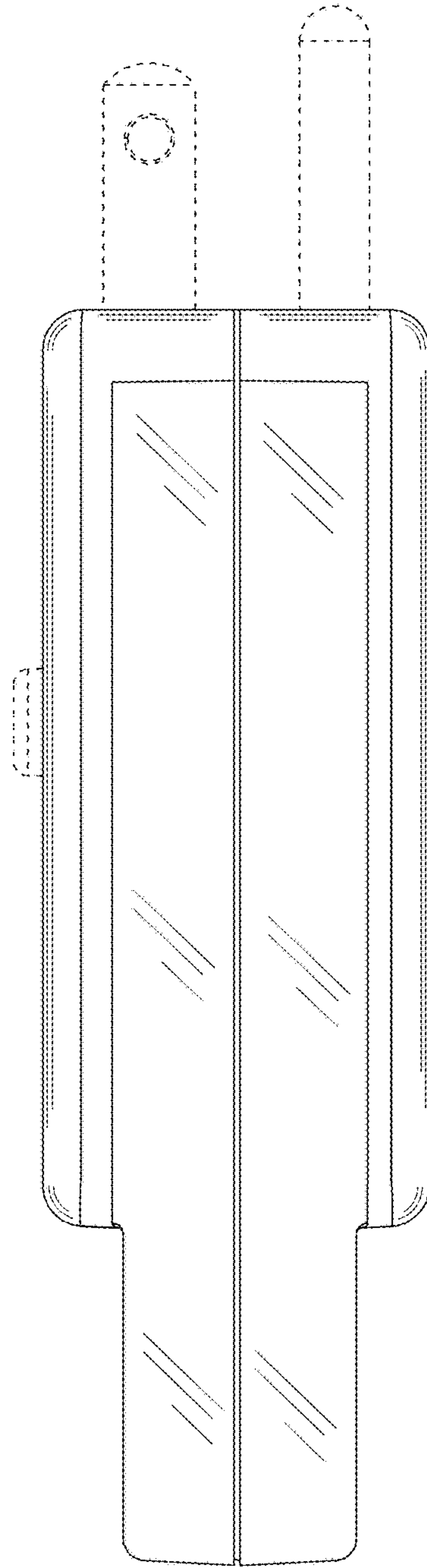


FIG 5

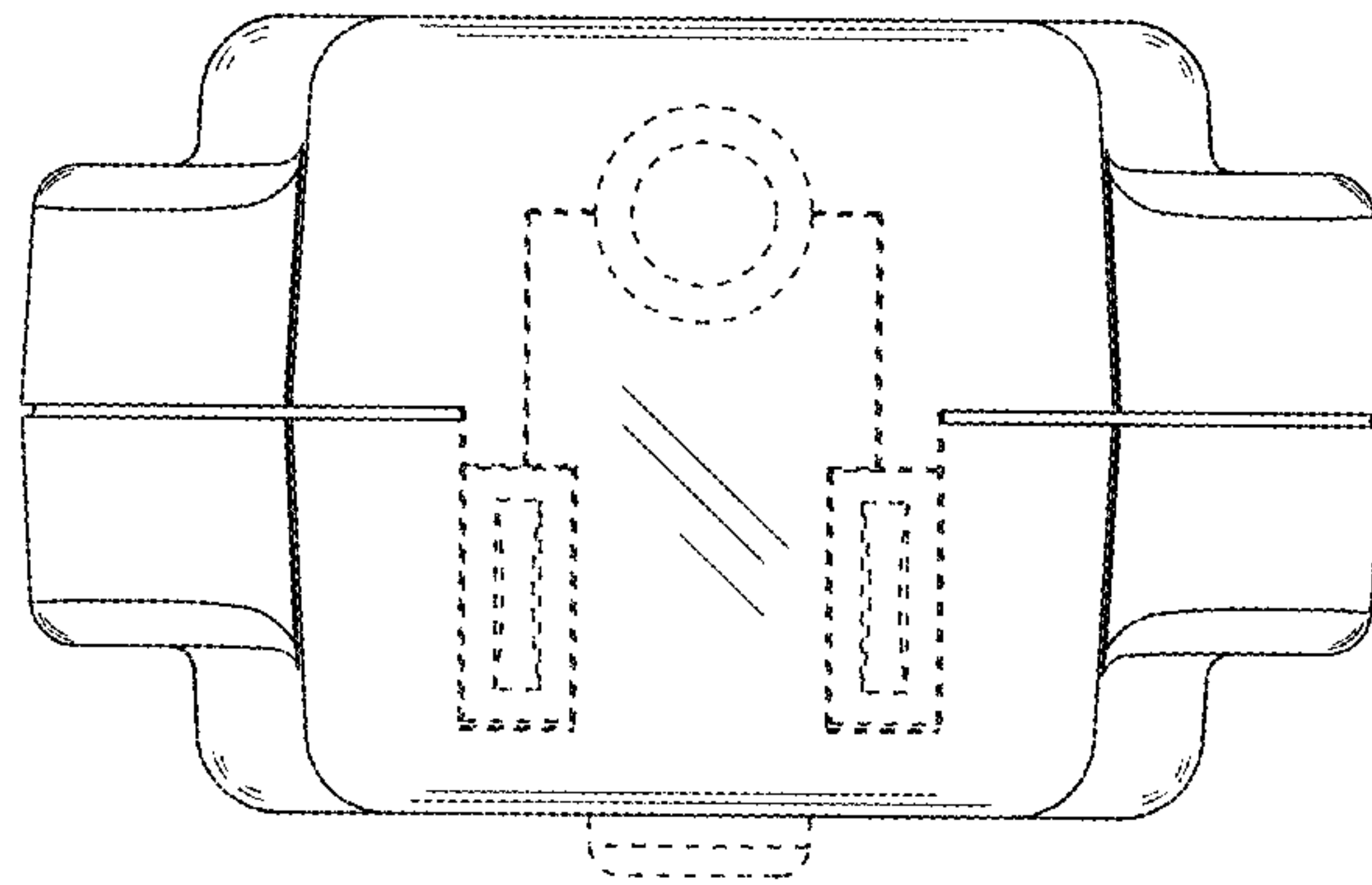


FIG 6

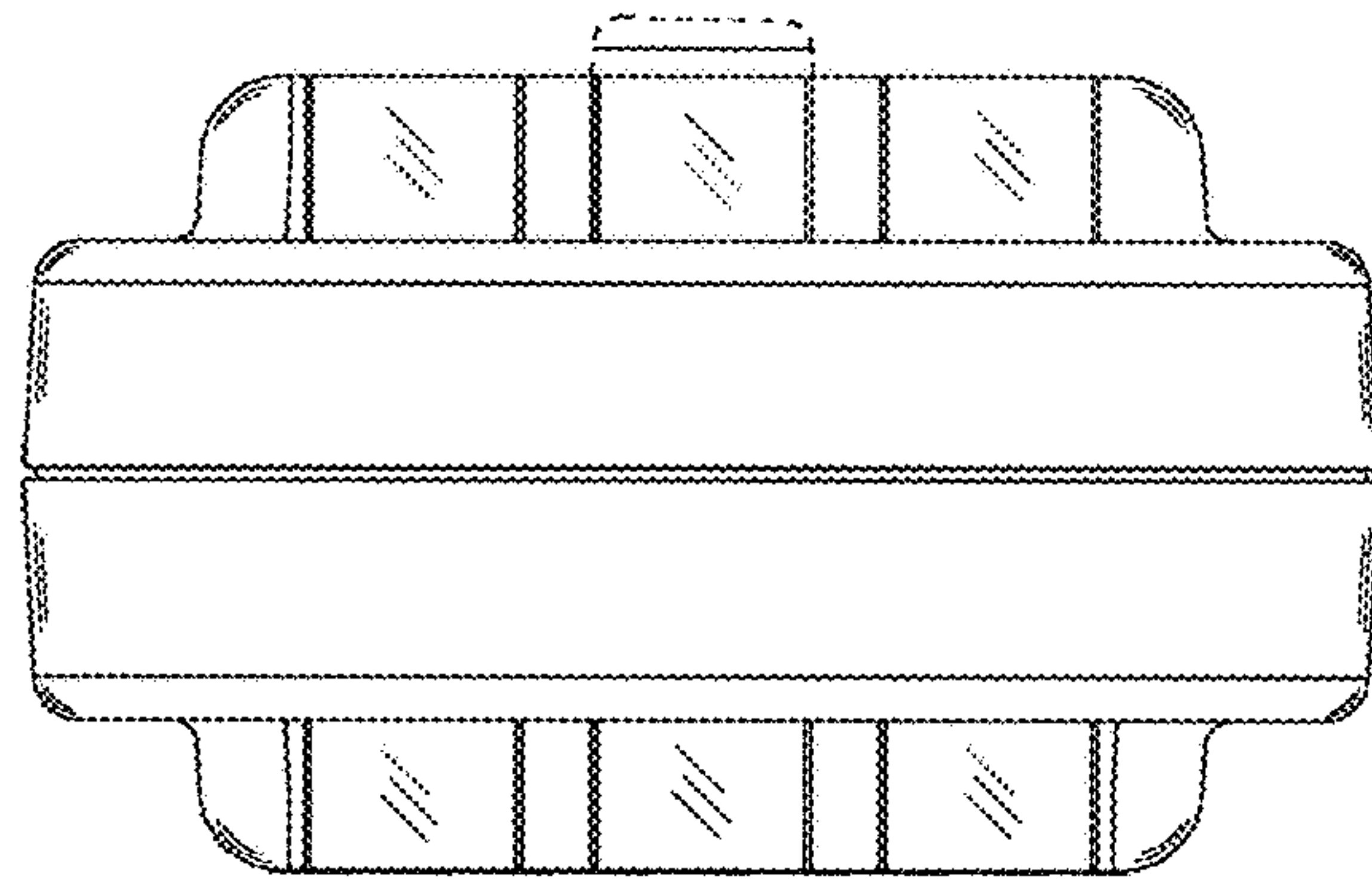


FIG 7