



US00D856175S

(12) **United States Design Patent** (10) **Patent No.:** **US D856,175 S**
Anderson (45) **Date of Patent:** **** Aug. 13, 2019**

(54) **TAPE MEASURE**

FOREIGN PATENT DOCUMENTS

(71) Applicant: **Milwaukee Electric Tool Corporation,**
Brookfield, WI (US)

CN 304094587 S 4/2017
TW 433912 5/2001

(Continued)

(72) Inventor: **Kyle C. Anderson,** Milwaukee, WI
(US)

OTHER PUBLICATIONS

(73) Assignee: **Milwaukee Electric Tool Corporation,**
Brookfield, WI (US)

U.S. Appl. No. 29/603,849, filed May 21, 2017, Milwaukee Electric
Tool Corporation.

(Continued)

(**) Term: **15 Years**

Primary Examiner — Antoine Duval Davis

(21) Appl. No.: **29/622,963**

(74) *Attorney, Agent, or Firm* — Reinhard Boerner Van
Deuren s.c.

(22) Filed: **Oct. 20, 2017**

(51) **LOC (12) Cl.** **10-04**

(57) **CLAIM**

(52) **U.S. Cl.**
USPC **D10/72**

I claim the ornamental design for a tape measure, as shown
and described.

(58) **Field of Classification Search**
USPC D10/72

DESCRIPTION

CPC G01B 3/10; G01B 3/1002; G01B 3/1041;
G01B 2003/1043; G01B 2003/1046;
G01B 2003/1048; G01B 2003/1051;
G01B 2003/1053; G01B 2003/1097;
G01B 3/1082; G01B 3/1056; G01B
3/563; G01B 3/566; G01B 3/1071; G01B
2003/1089; G01B 2003/1095; G01B
2003/1092; G01B 2003/1079; G01B
2003/1041; G01B 2003/1084; G07B 3/10

FIG. 1 is a rear perspective view from above of an embodi-
ment of the claimed design;
FIG. 2 is a front perspective view from below of the claimed
design of FIG. 1;
FIG. 3 is a front perspective view from above of the claimed
design of FIG. 1;
FIG. 4 is a right side view of the claimed design of FIG. 1;
FIG. 5 is a left side view of the claimed design of FIG. 1;
FIG. 6 is a top view of the claimed design of FIG. 1;
FIG. 7 is a bottom view of the claimed design of FIG. 1;
FIG. 8 is a front view of the claimed design of FIG. 1; and,
FIG. 9 is a rear view of the claimed design of FIG. 1.

See application file for complete search history.

The ornamental design which is claimed is shown in solid
lines in the drawings. The broken dot-dash lines define
boundaries of the claimed design and form no part thereof.
The other broken lines in the drawings are for illustrative
purposes only and form no part of the claimed design.

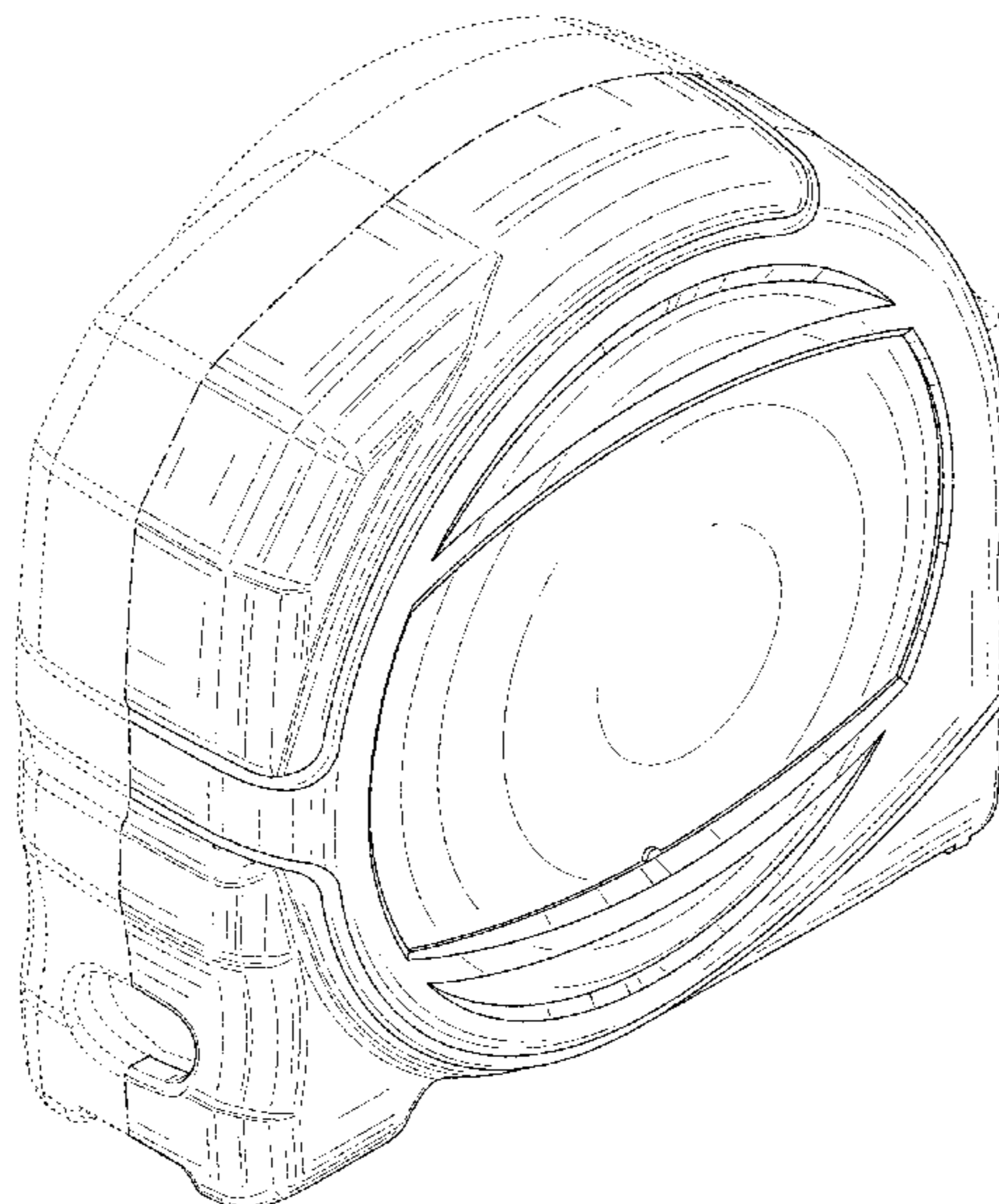
(56) **References Cited**

U.S. PATENT DOCUMENTS

D466,423 S 12/2002 Kram
D466,824 S 12/2002 Kram
D726,043 S 4/2015 Cook et al.
D733,597 S 7/2015 Hyma et al.
9,329,013 B2* 5/2016 Kuo G01B 3/1041

(Continued)

1 Claim, 9 Drawing Sheets



(56)

References Cited

U.S. PATENT DOCUMENTS

D783,429 S 4/2017 Wortelboer et al.
D783,430 S 4/2017 Wortelboer et al.
D785,475 S 5/2017 Graykowski et al.
D785,476 S 5/2017 Graykowski et al.
D787,347 S 5/2017 Wortelboer et al.
D788,611 S 6/2017 Anderson
D803,711 S * 11/2017 Jost D10/72

FOREIGN PATENT DOCUMENTS

TW 566888 12/2003
TW D132888 1/2010

OTHER PUBLICATIONS

U.S. Appl. No. 29/604,250, filed May 16, 2017, Milwaukee Electric
Tool Corporation.

* cited by examiner

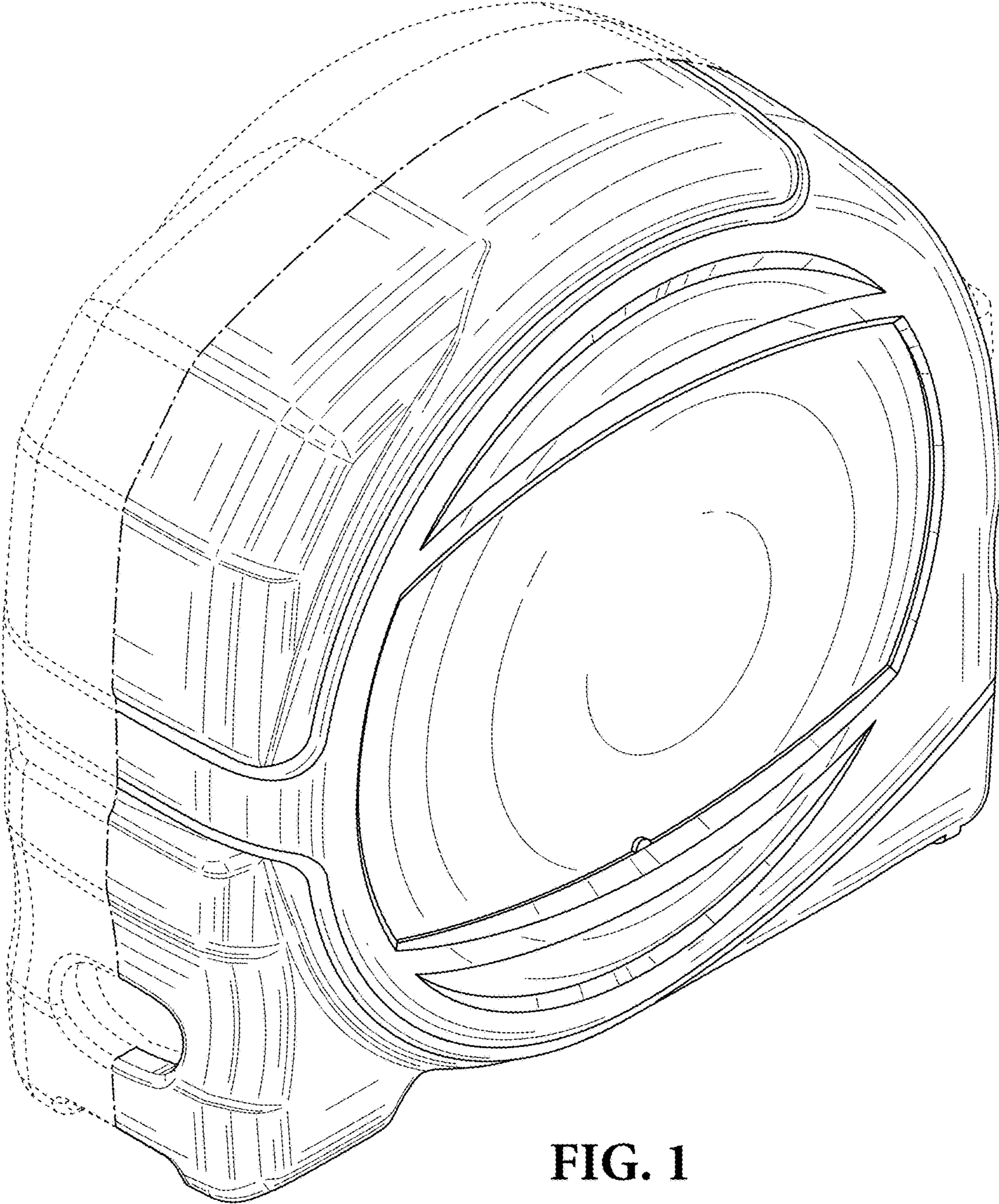


FIG. 1

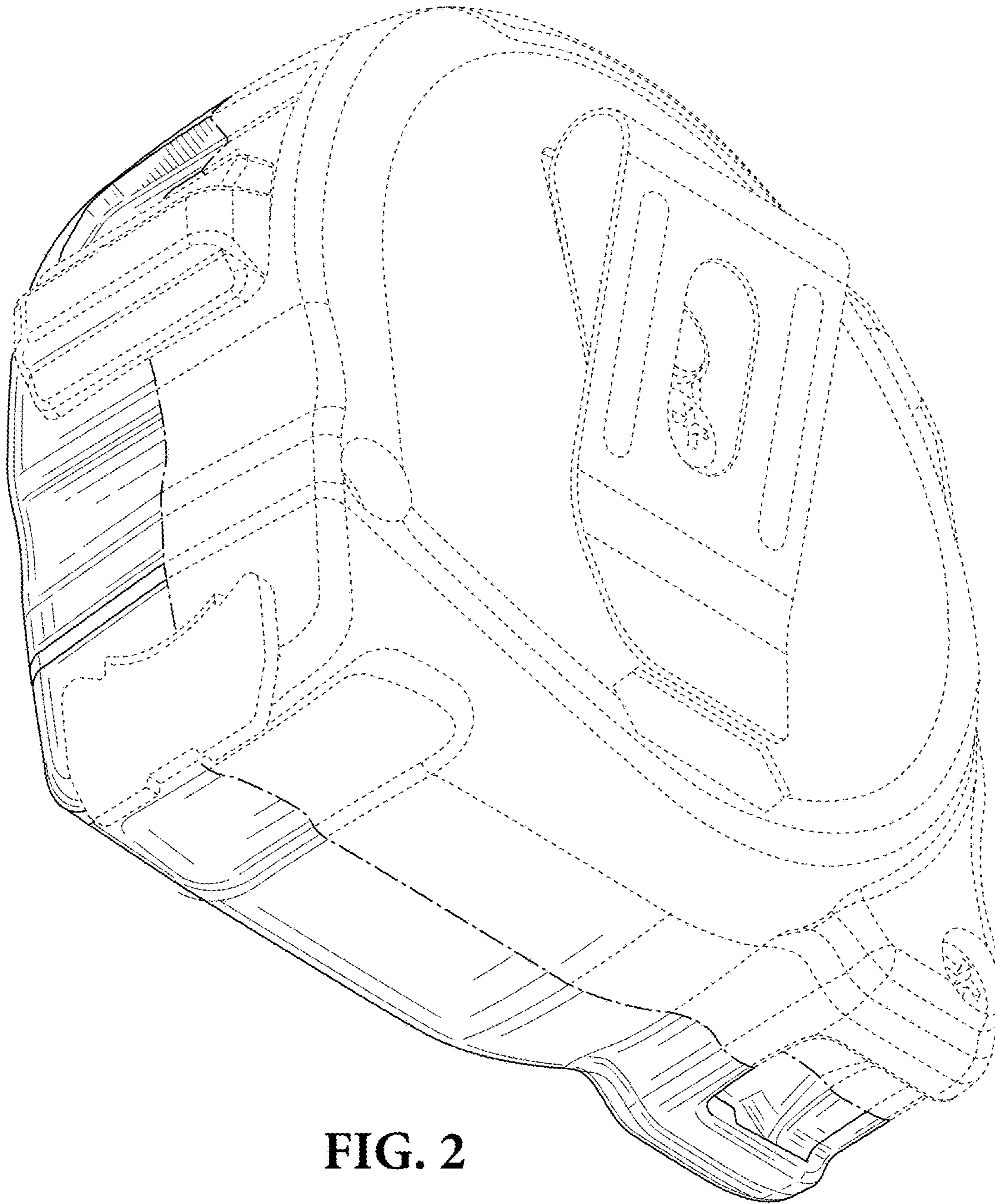


FIG. 2

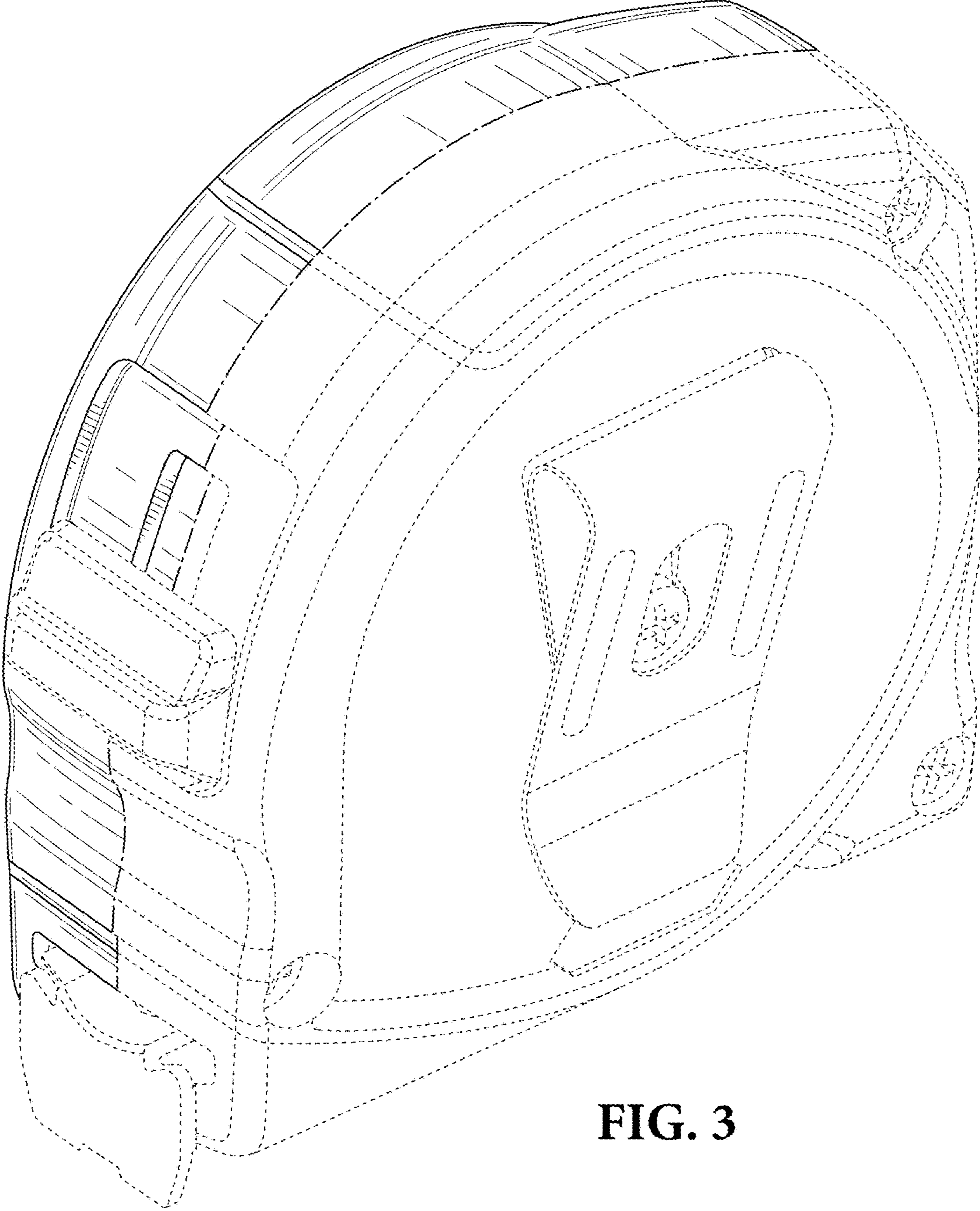


FIG. 3

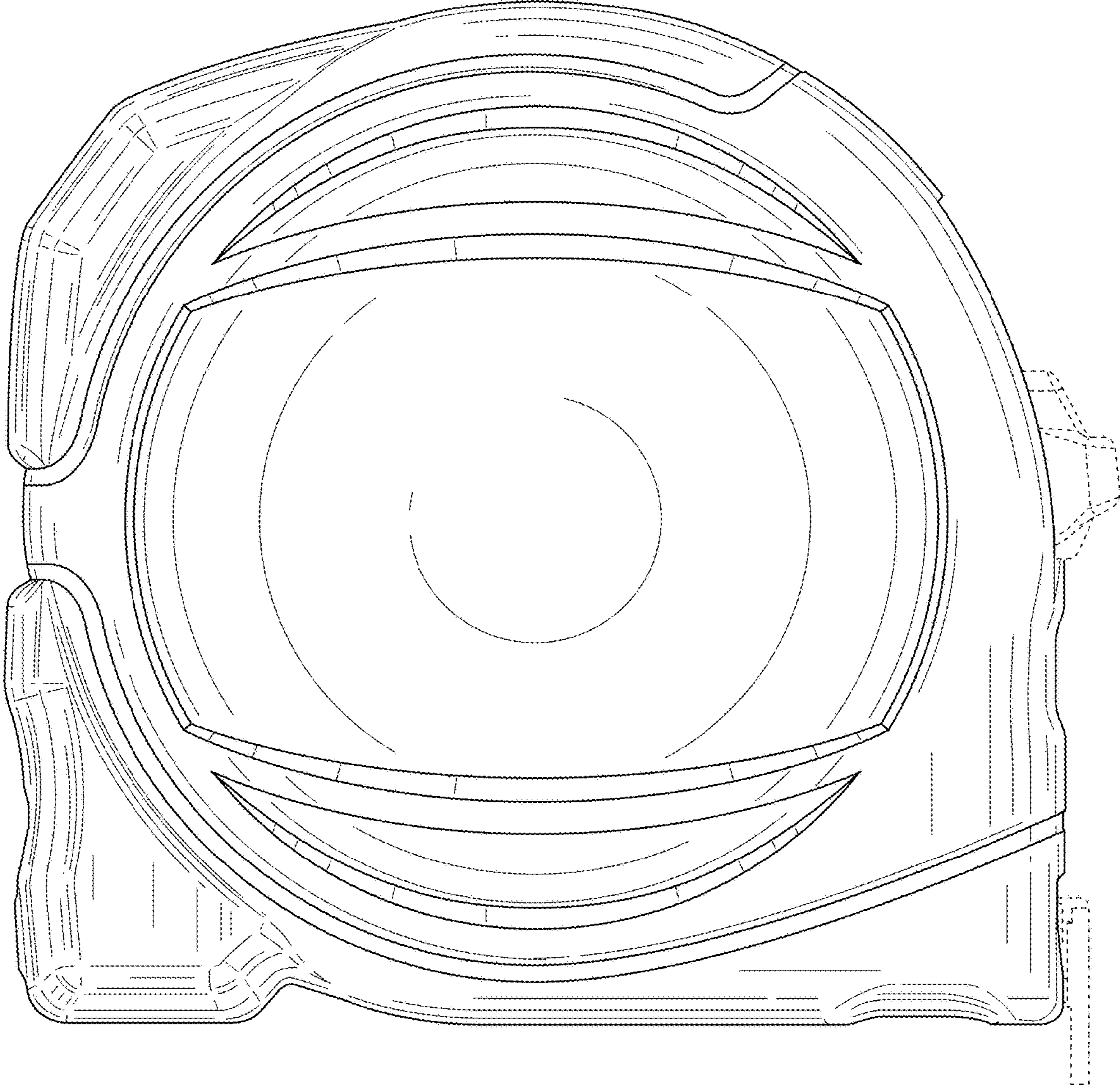


FIG. 4

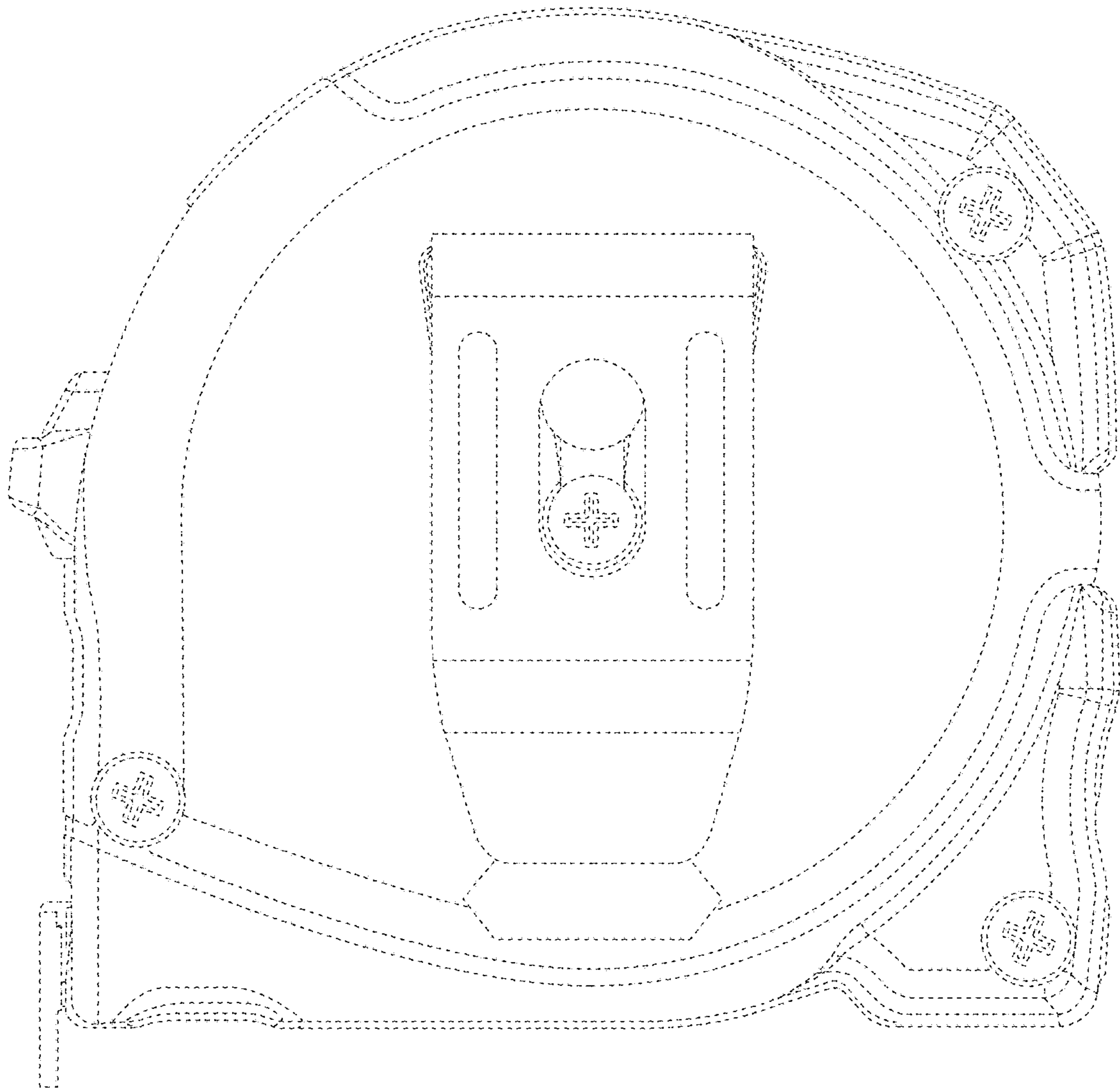


FIG. 5

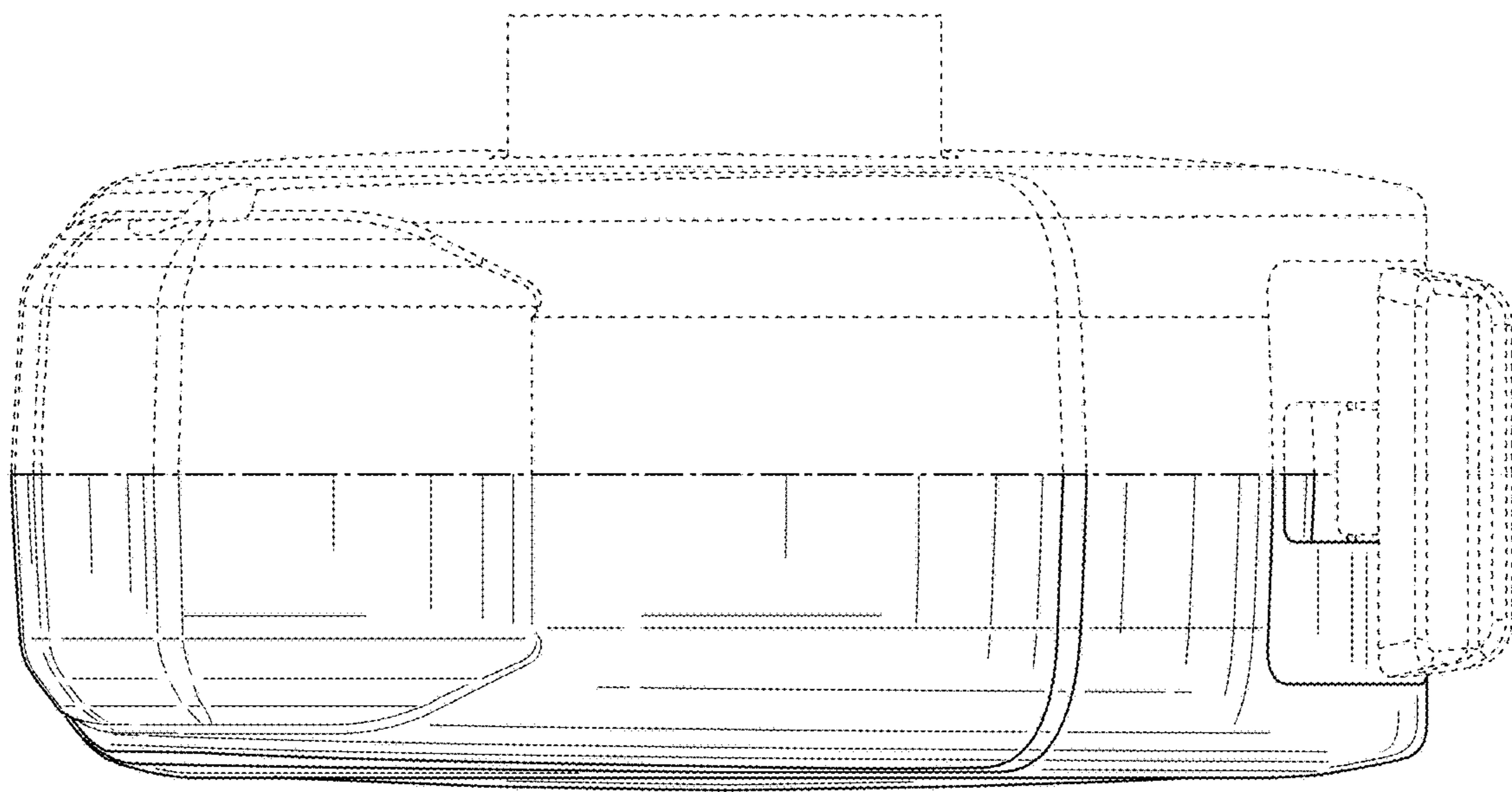


FIG. 6

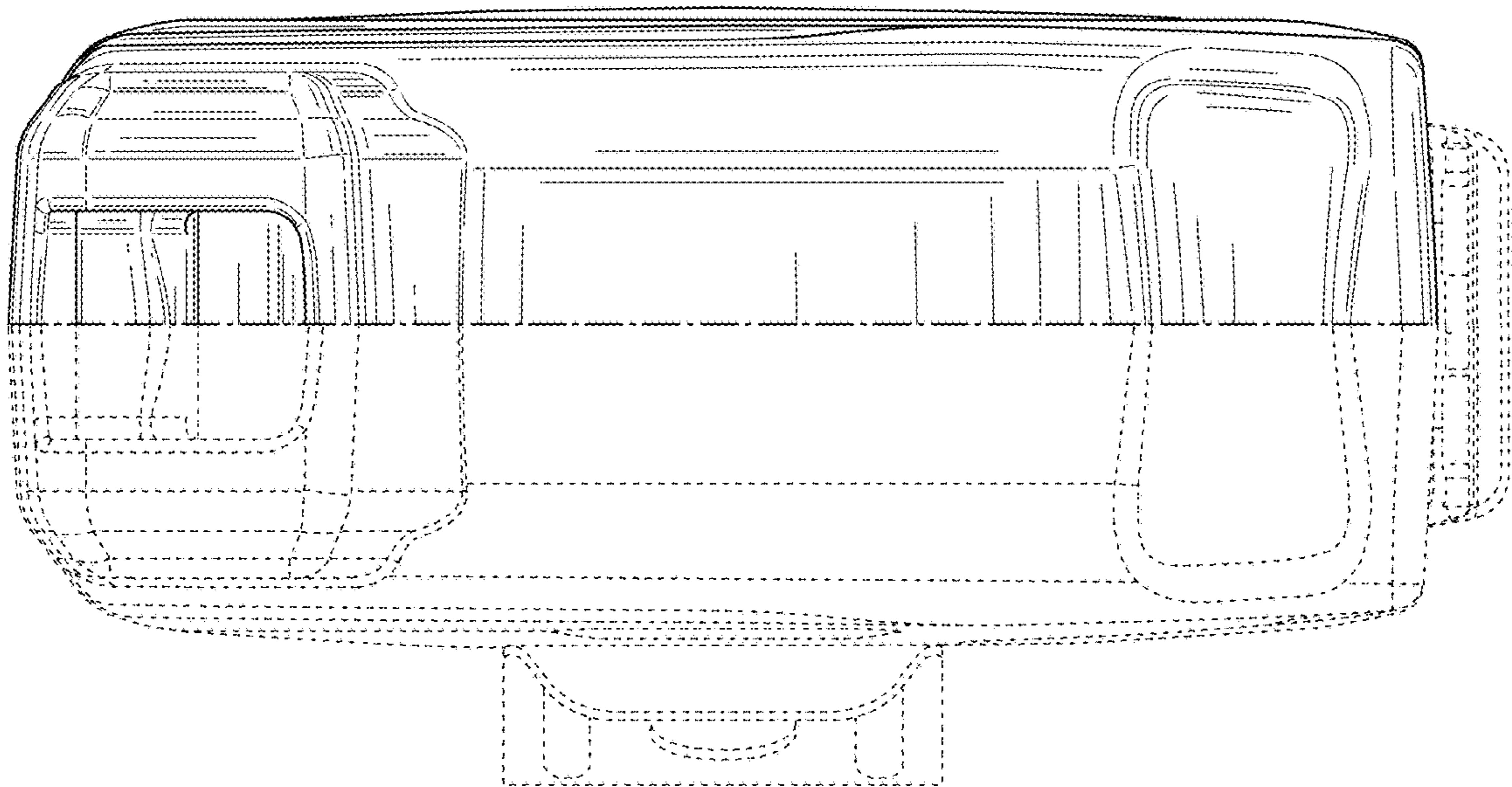


FIG. 7

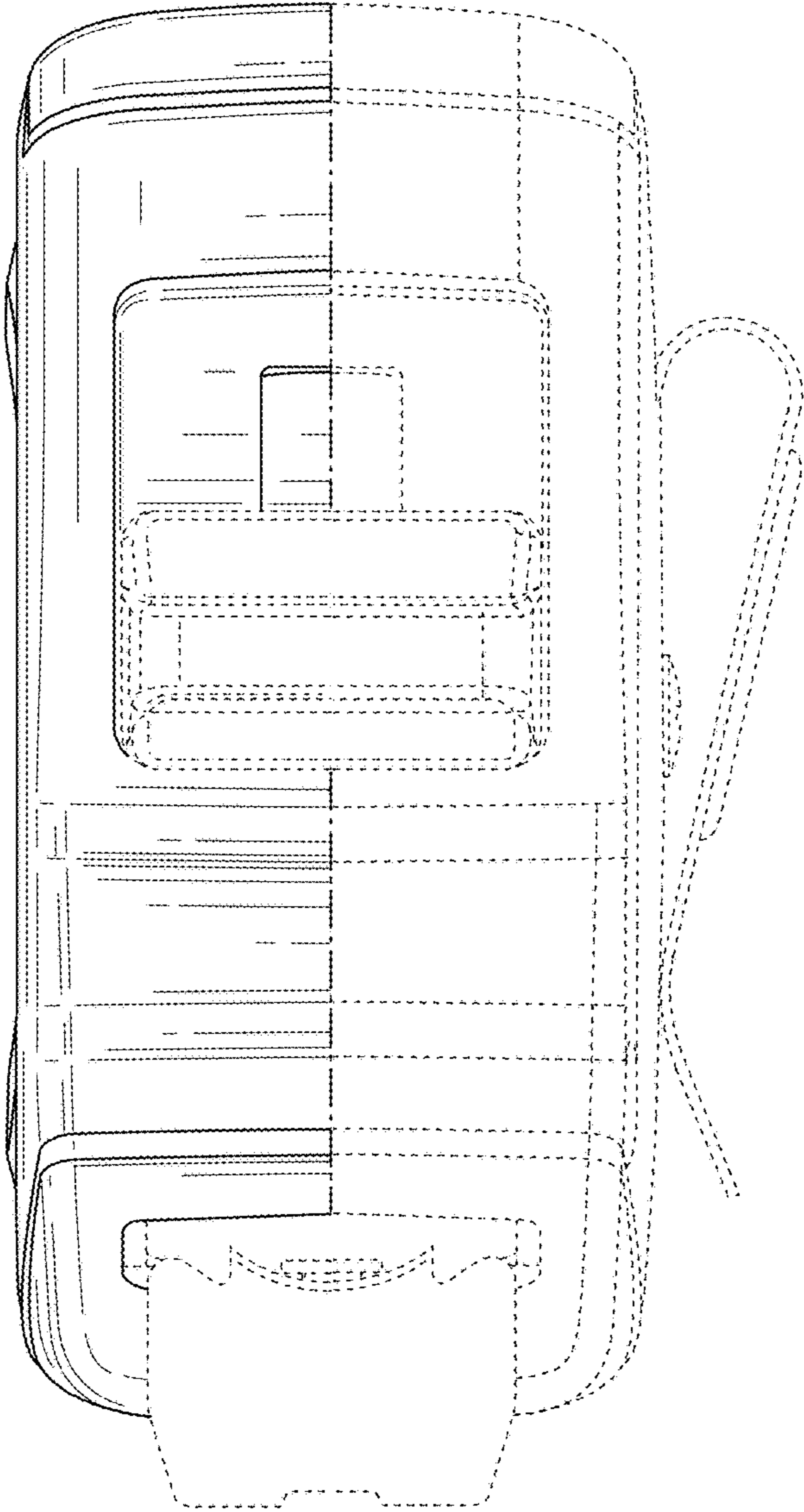


FIG. 8

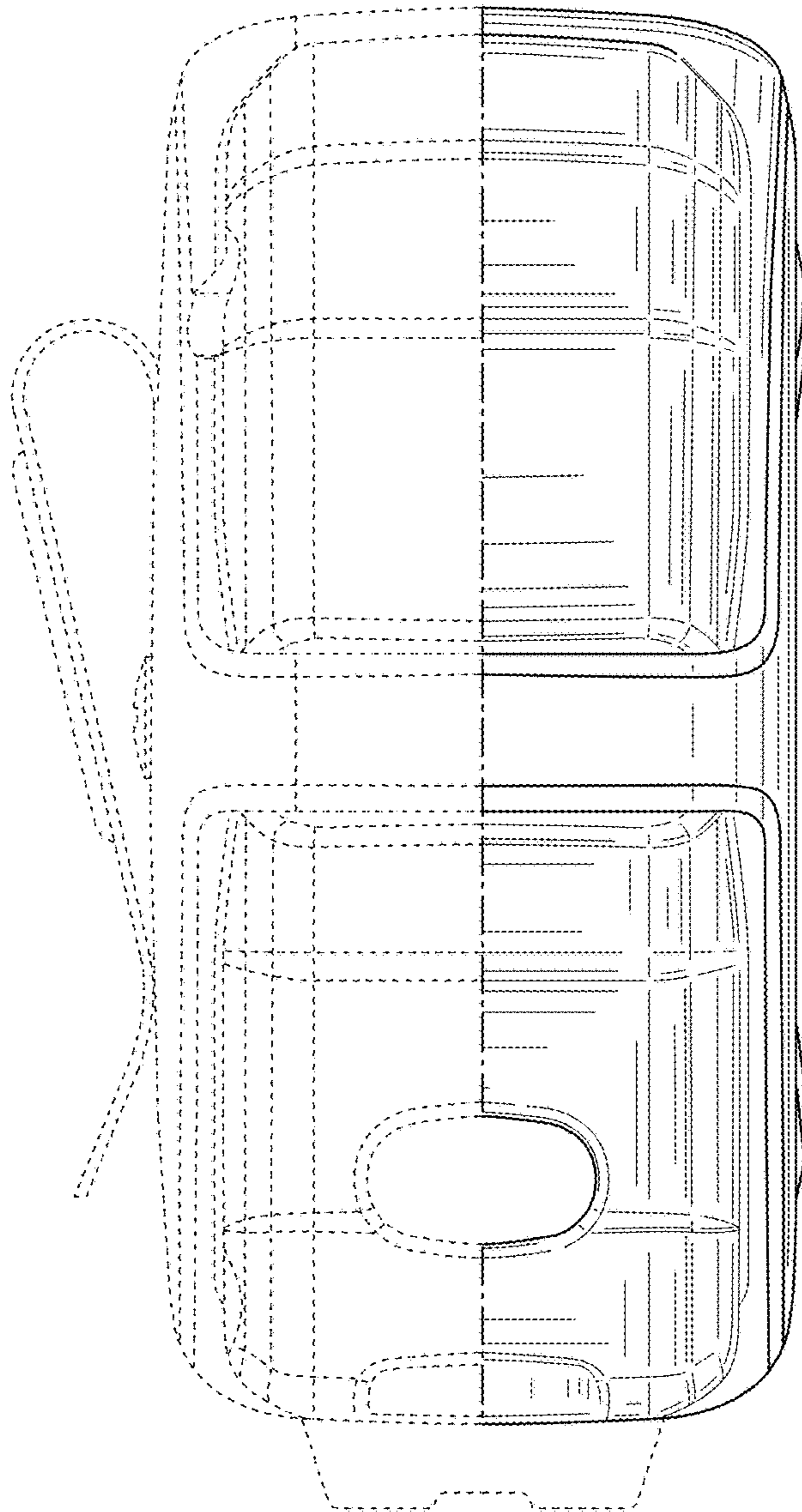


FIG. 9