



US00D856172S

(12) **United States Design Patent** (10) **Patent No.:** **US D856,172 S**
Maezawa (45) **Date of Patent:** **** Aug. 13, 2019**

(54) **MEASURING TOOL OF BODY SIZE**

(56) **References Cited**

(71) Applicant: **START TODAY CO., LTD.**, Chiba-shi,
Chiba (JP)

U.S. PATENT DOCUMENTS

(72) Inventor: **Yusaku Maezawa**, Chiba (JP)

10,008,039 B1 * 6/2018 Neustein G06T 19/006
10,201,203 B2 * 2/2019 Karavaev A41H 1/02

(73) Assignee: **START TODAY CO., LTD.**, Chiba
(JP)

* cited by examiner

(**) Term: **15 Years**

Primary Examiner — Antoine Duval Davis
(74) *Attorney, Agent, or Firm* — Andrew F. Young, Esq.;
Lackebach Siegel, LLP

(21) Appl. No.: **29/646,130**

(57) **CLAIM**

(22) Filed: **May 2, 2018**

The ornamental design for a measuring tool of body size, as
shown and described.

(30) **Foreign Application Priority Data**

DESCRIPTION

Nov. 17, 2017 (JP) 2017/025667

(51) **LOC (12) Cl.** **10-04**

(52) **U.S. Cl.**
USPC **D10/64**

(58) **Field of Classification Search**

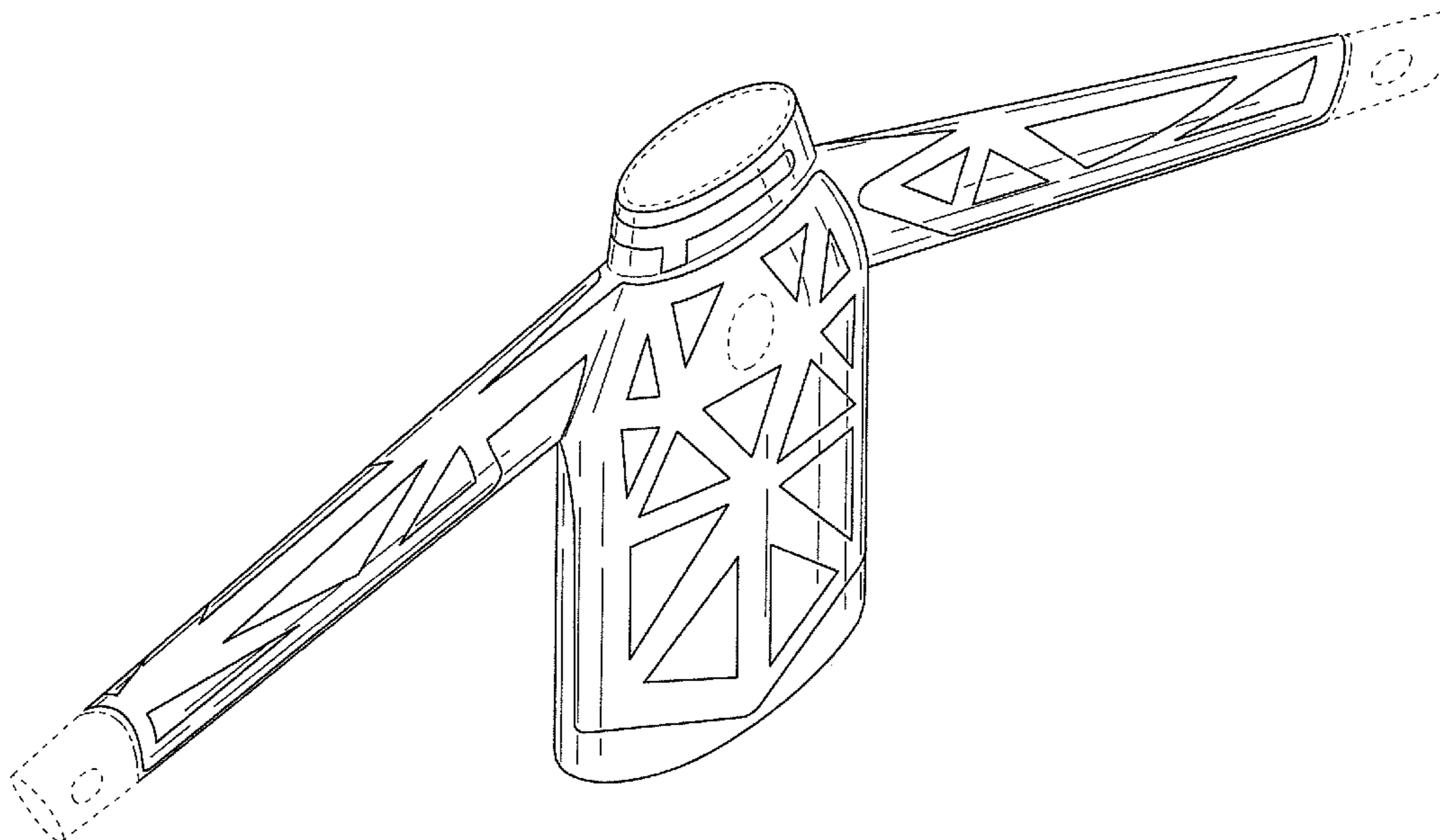
USPC D10/64, 70, 71; D15/78
CPC ... A41H 1/00; A41H 1/02; A41H 1/04; A41H
1/06; A41H 1/08; A41H 1/10; A41H
3/00; A41H 3/08; A41H 43/10; A41H
15/00; G06Q 30/02; G06Q 30/06; G06Q
30/0601; G06Q 30/0621; G06T 19/006;
D05B 35/10; D05B 35/102; D05B
35/105; D05B 35/107; D05B 35/12;
D05B 39/00

FIG. 1 is a top front perspective view of a measurement tool
of body size of my present invention.
FIG. 2 is a front elevation view thereof.
FIG. 3 is a rear elevation view thereof.
FIG. 4 is a left side elevation view thereof.
FIG. 5 is a right side elevation view thereof.
FIG. 6 is a top plan view thereof; and,
FIG. 7 is an bottom plan view thereof.

Statement: Portions not illustrated form no part of the
claimed design. No claim is made to the inner portions of the
inventions or disclaimed portions demarked by dash-dash
disclaim lines. The surface shading lines illustrate contour
only and form no part of the present design. The dash-dash
disclaim lines indicate portions which form no part of the
claimed design.

See application file for complete search history.

1 Claim, 5 Drawing Sheets



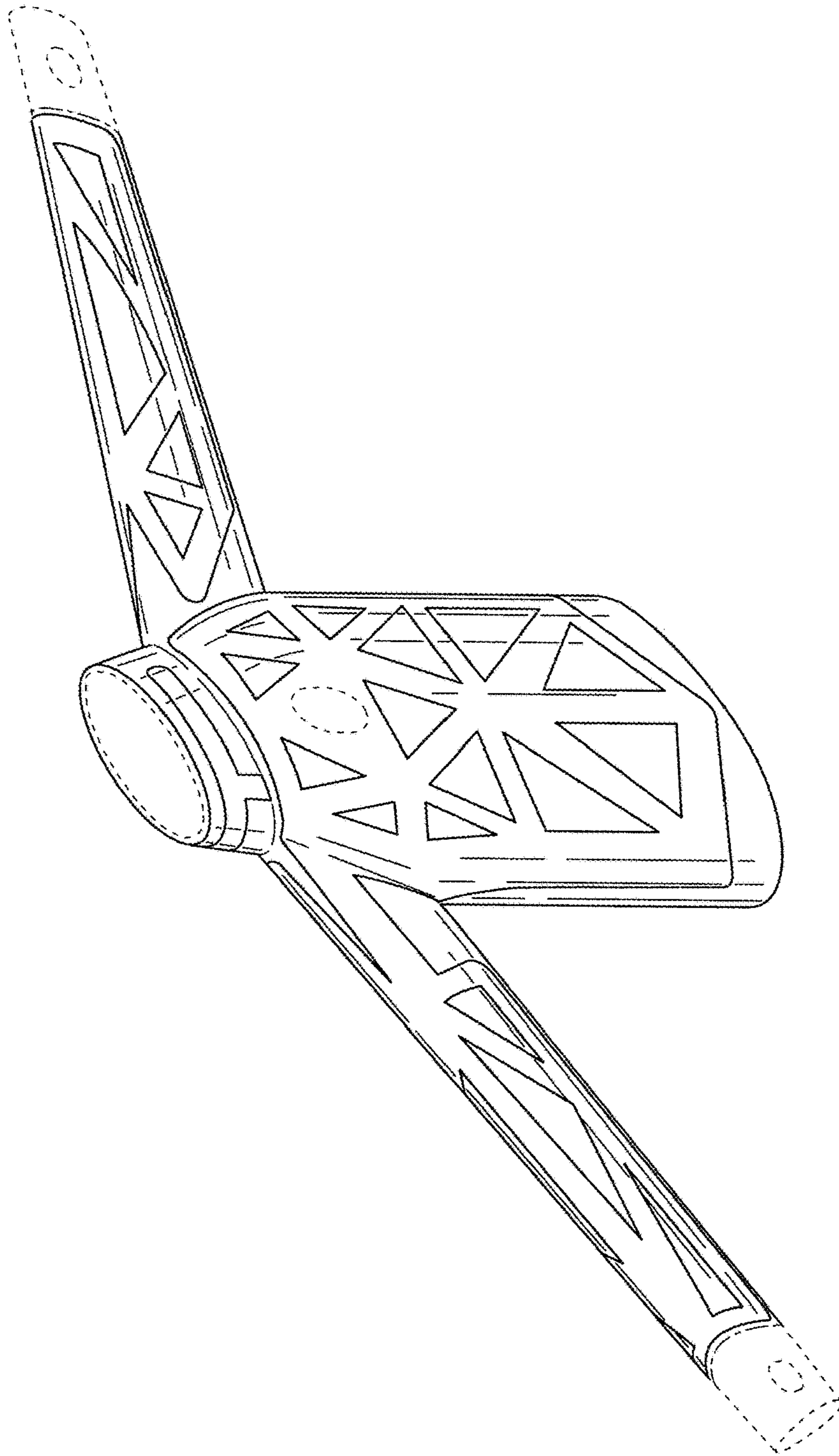


FIG. 1

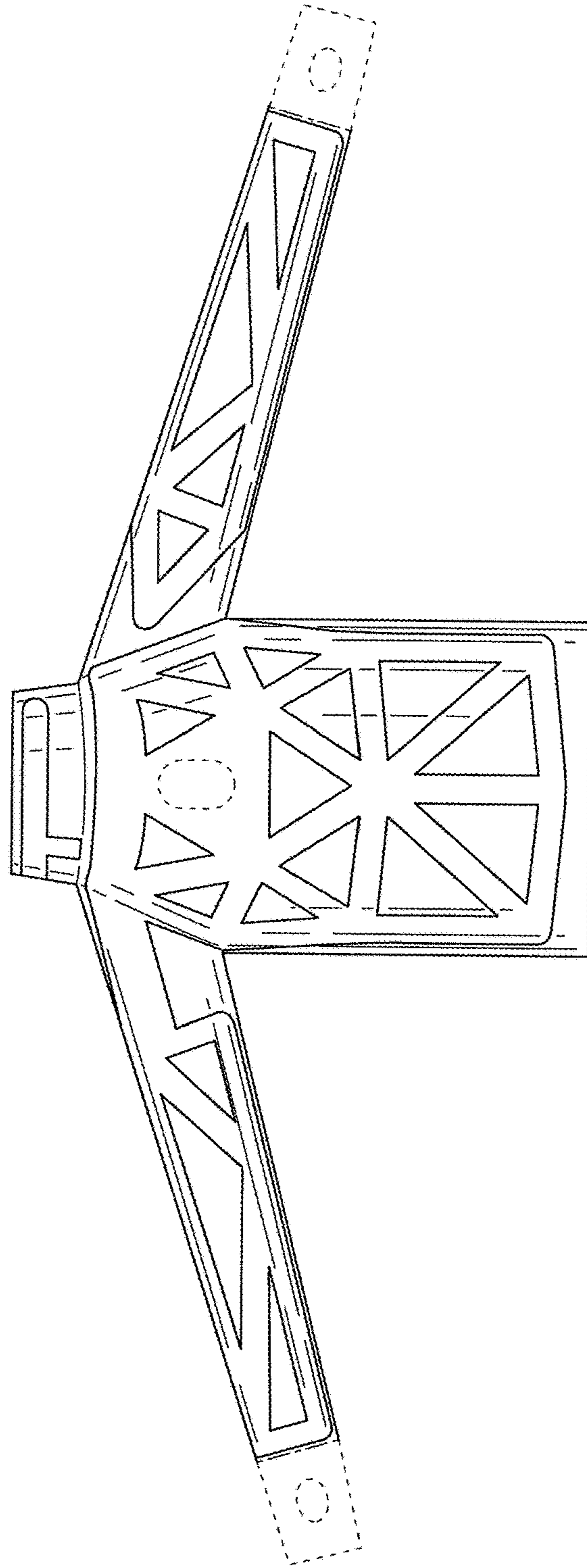


FIG. 2

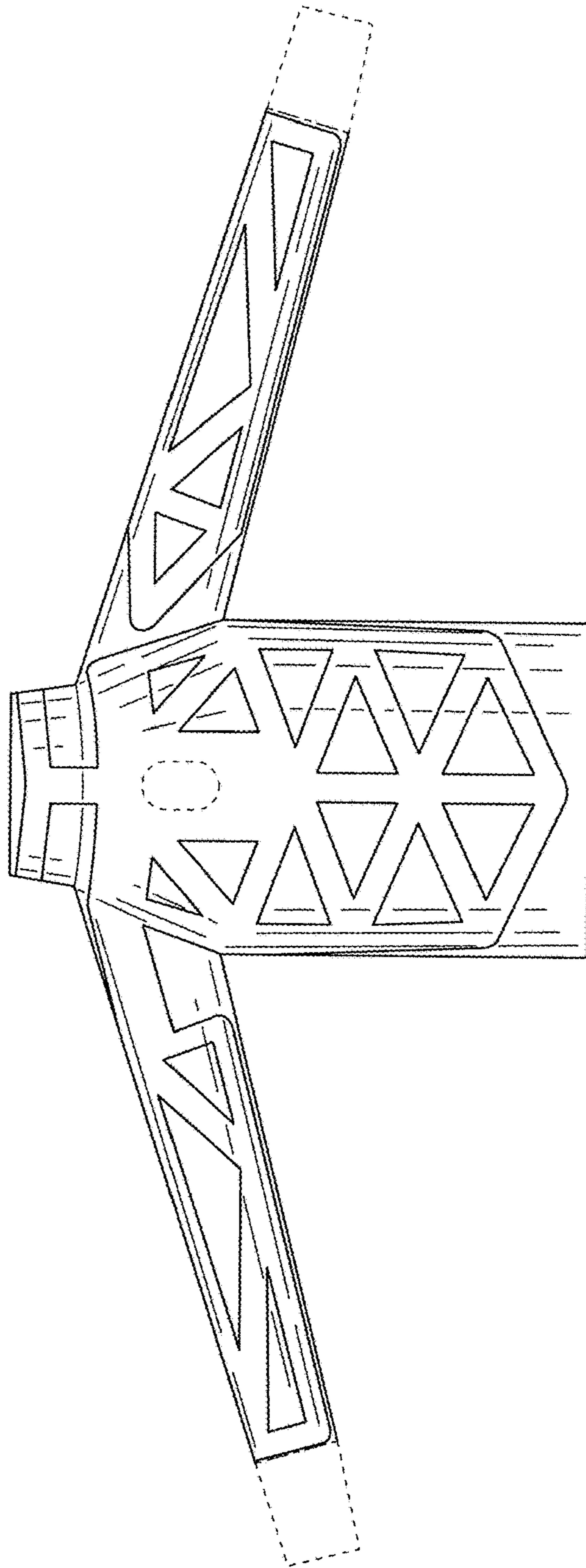


FIG. 3

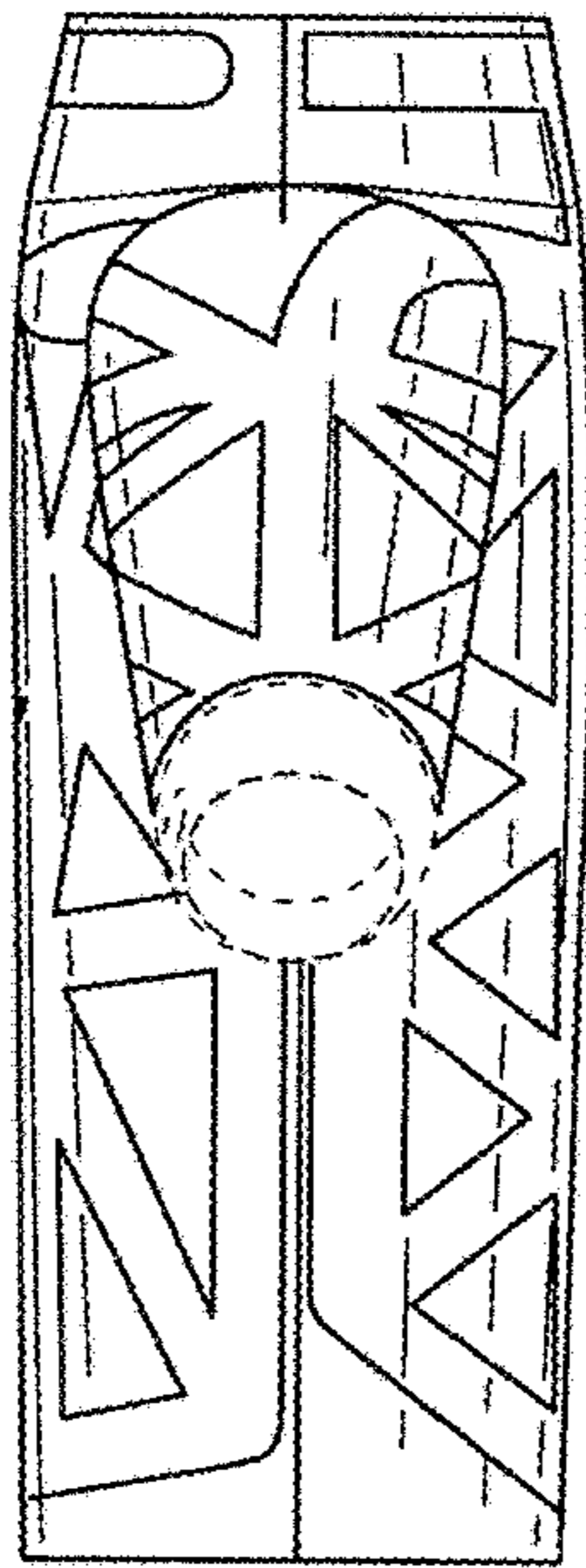


FIG. 4

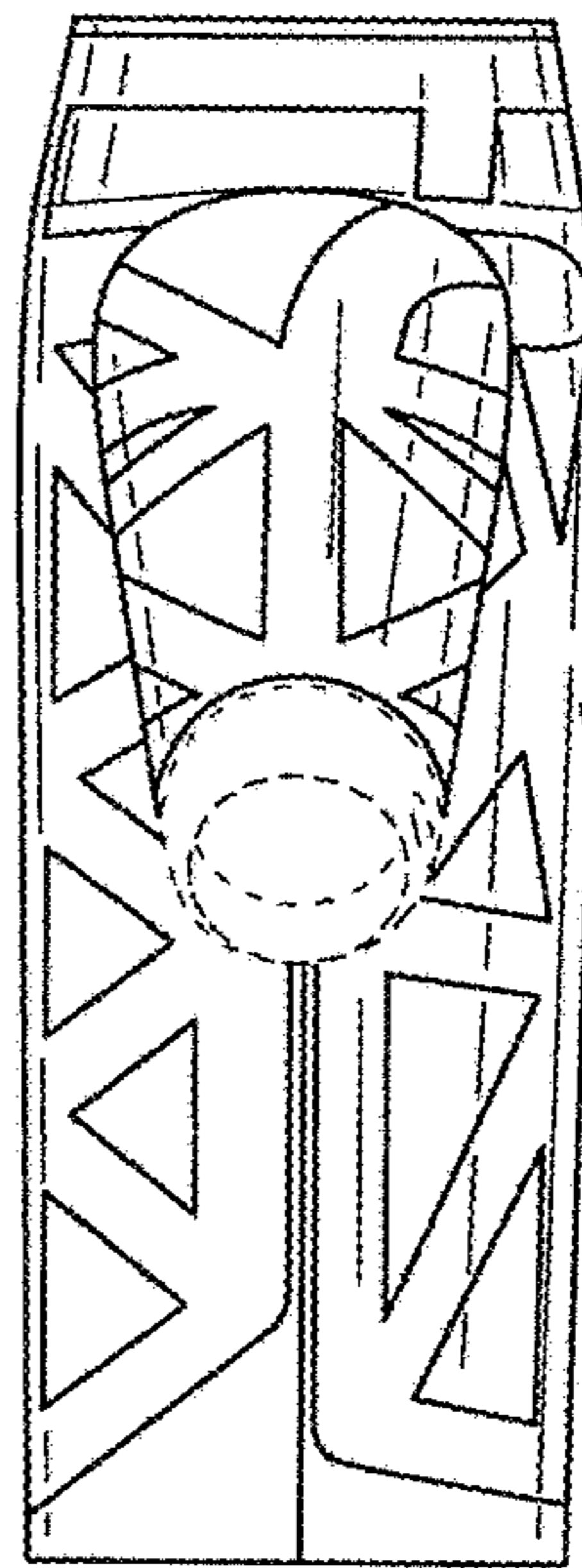


FIG. 5

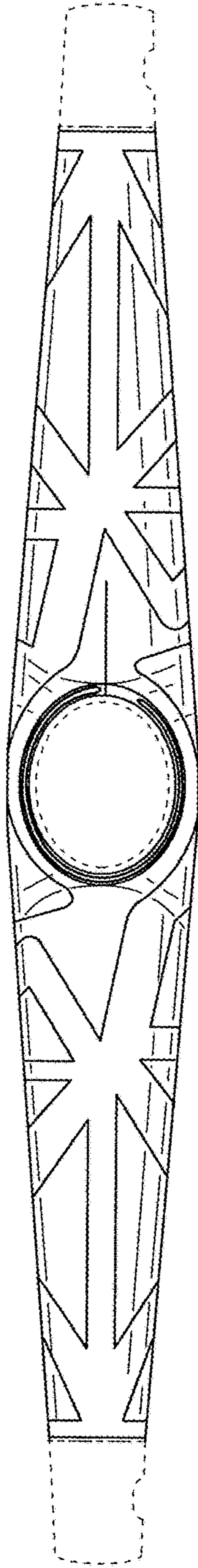


FIG. 6

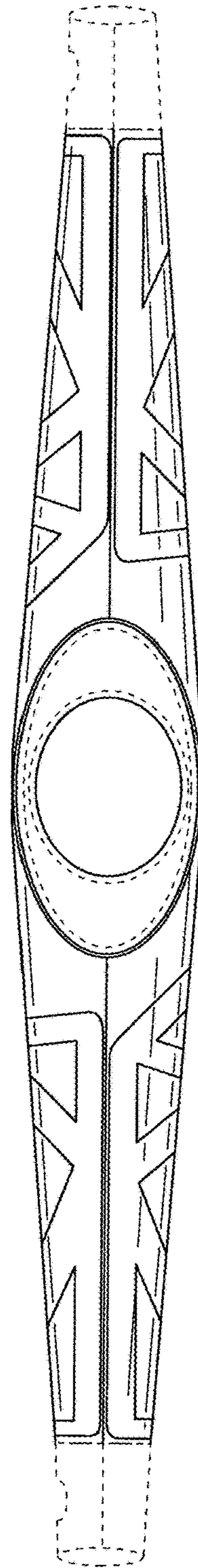


FIG. 7