



US00D856170S

(12) **United States Design Patent** (10) **Patent No.:** **US D856,170 S**  
**Aidehag** (45) **Date of Patent:** **\*\* Aug. 13, 2019**

(54) **THERMOMETER**  
(71) Applicant: **OPEXI AB**, Stockholm (SE)  
(72) Inventor: **Fredrik Aidehag**, Stockholm (SE)  
(\*\*) Term: **15 Years**

D795,102 S \* 8/2017 Alla ..... D10/57  
D795,103 S \* 8/2017 Alla ..... D10/57  
D837,667 S \* 1/2019 Wang ..... D10/57  
2013/0220143 A1\* 8/2013 Fetterman ..... A47J 36/2405  
99/330

\* cited by examiner

*Primary Examiner* — George D. Kirschbaum

(21) Appl. No.: **35/504,811**  
(22) Filed: **Oct. 24, 2017**

(80) **Hague Agreement Data**  
Int. Filing Date: **Oct. 24, 2017**  
Int. Reg. No.: **DM/099044**  
Int. Reg. Date: **Oct. 24, 2017**  
Int. Reg. Pub. Date: **Apr. 27, 2018**

(57) **CLAIM**

The ornamental design for a thermometer, as shown and described.

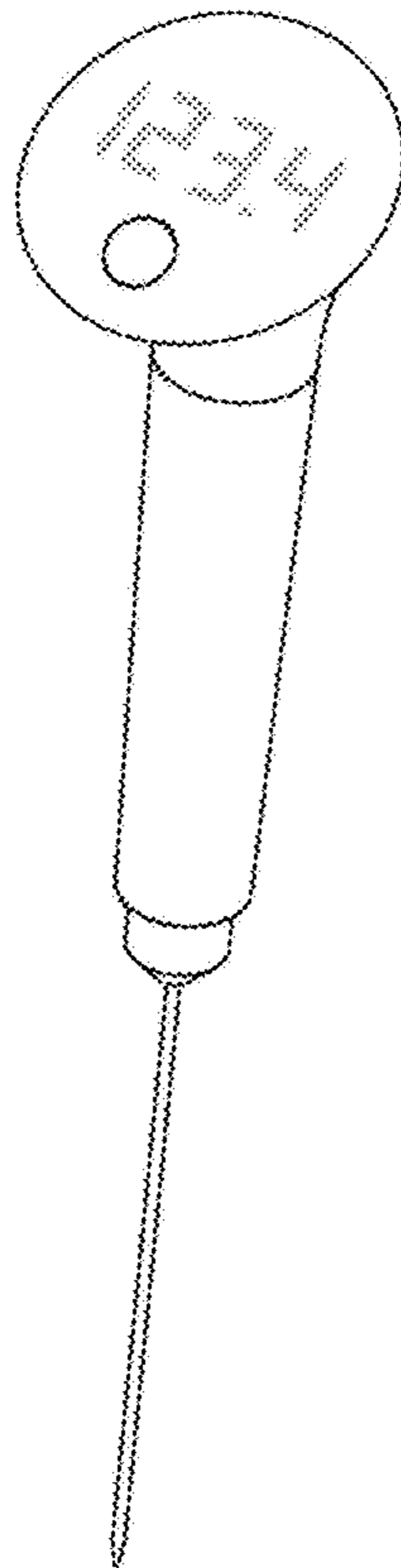
(51) **LOC (12) Cl.** ..... **10-04**  
(52) **U.S. Cl.**  
USPC ..... **D10/57**  
(58) **Field of Classification Search**  
USPC ..... D10/57, 59  
CPC ..... A47J 36/2405  
See application file for complete search history.

**DESCRIPTION**

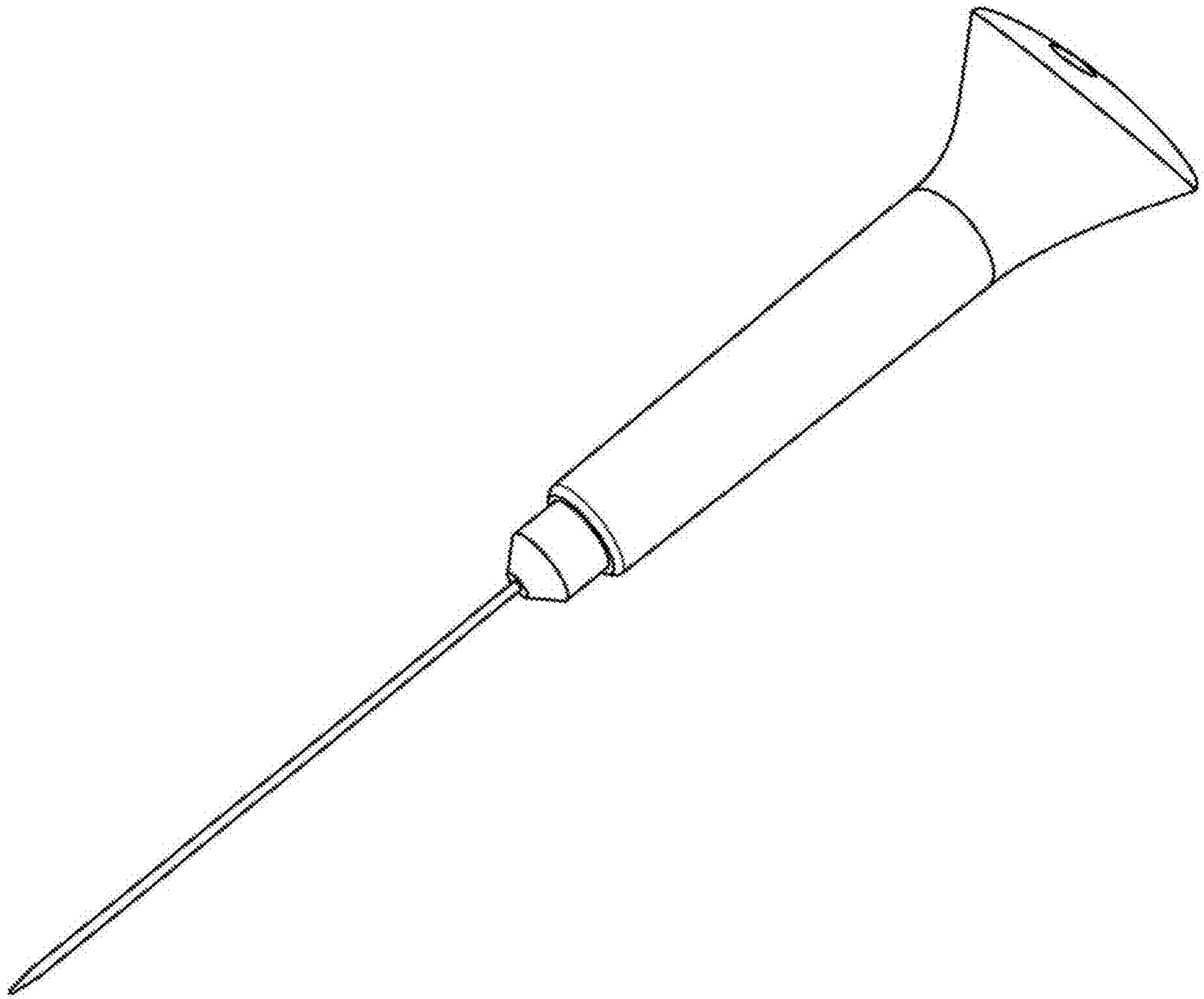
1. Thermometer  
Fig. 1.1 is a bottom right perspective view of the thermometer; fig. 1.2 is a top right perspective view of the thermometer; fig. 1.3 is a bottom side view of the thermometer; fig. 1.4 is a left side view of the thermometer; fig. 1.5 is a top side view of the thermometer; fig. 1.6 is a rear side view of the thermometer; fig. 1.7 is a front side view of the thermometer; fig. 1.8 is a right side view of the thermometer; the blurred numbers disclosed in figures 1.2, 1.5 and 1.7 are only for illustrative purposes and form no part of the claimed design.

(56) **References Cited**  
U.S. PATENT DOCUMENTS  
D586,671 S \* 2/2009 Eide ..... D10/57  
D795,096 S \* 8/2017 Alla ..... D10/57

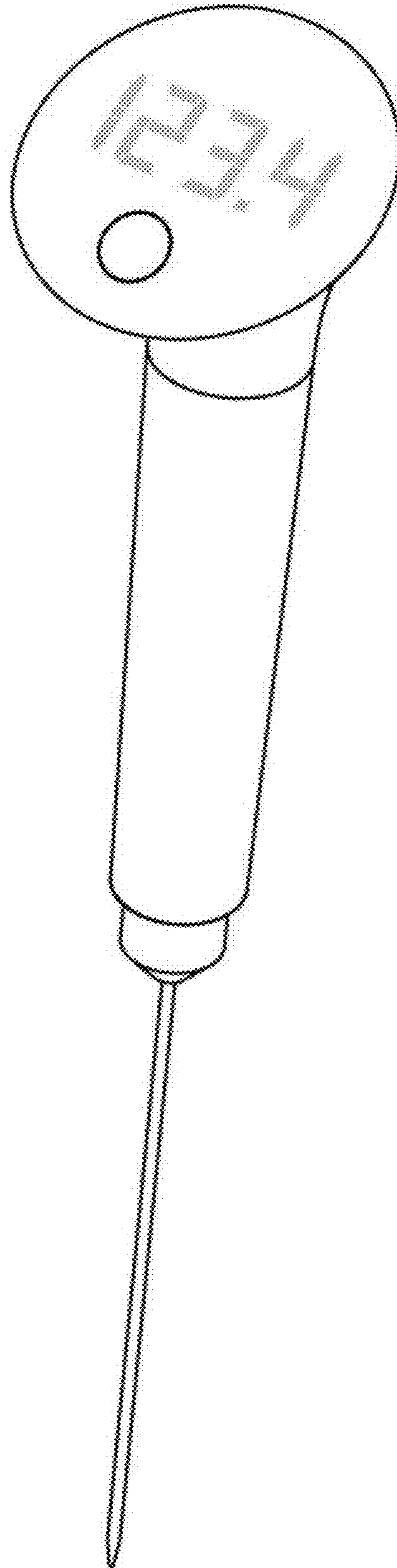
**1 Claim, 8 Drawing Sheets**



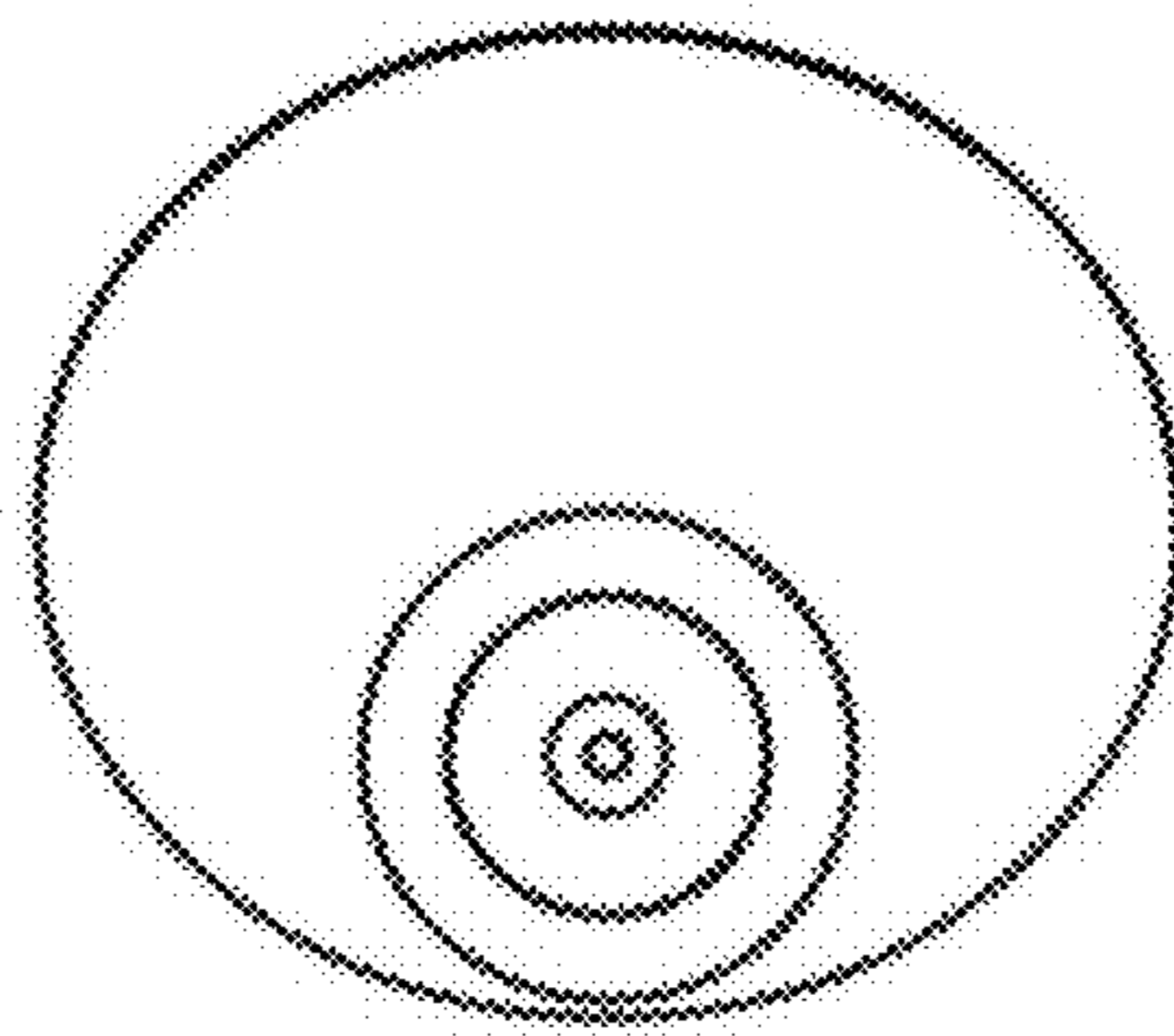
1.1



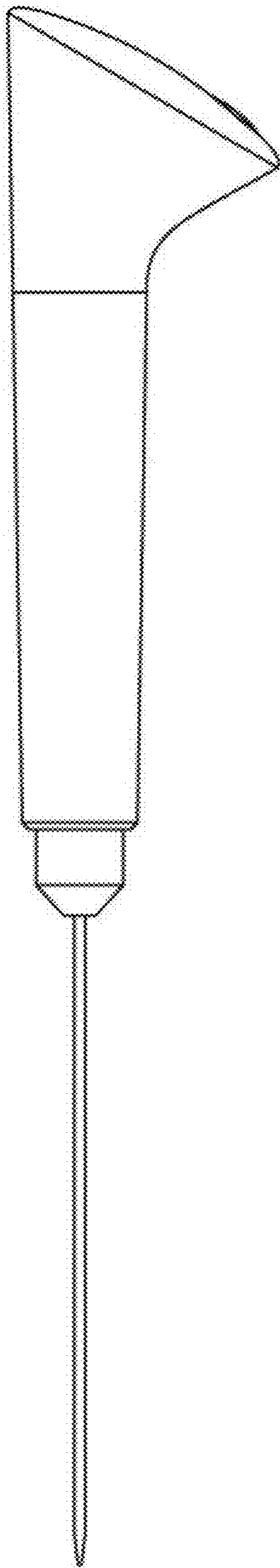
1.2



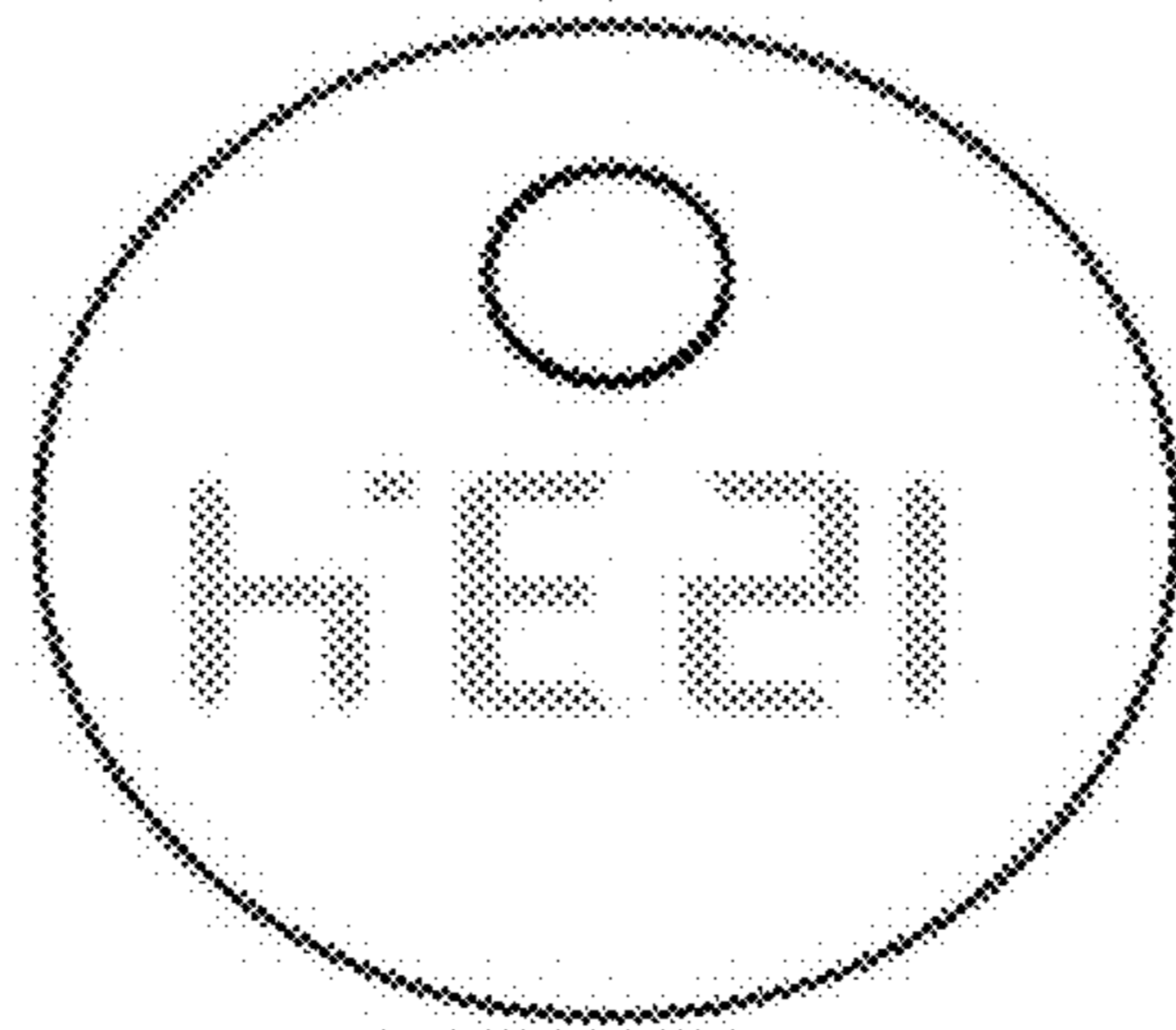
1.3



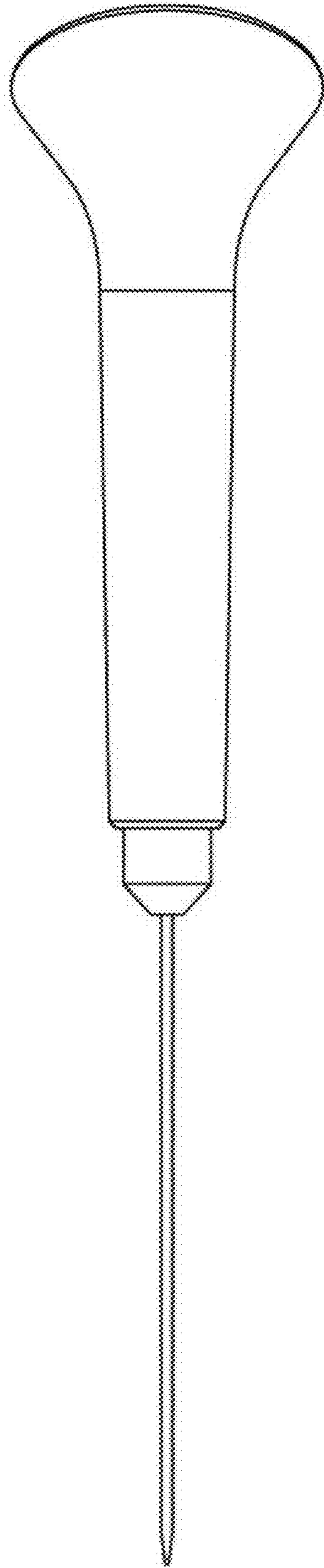
1.4



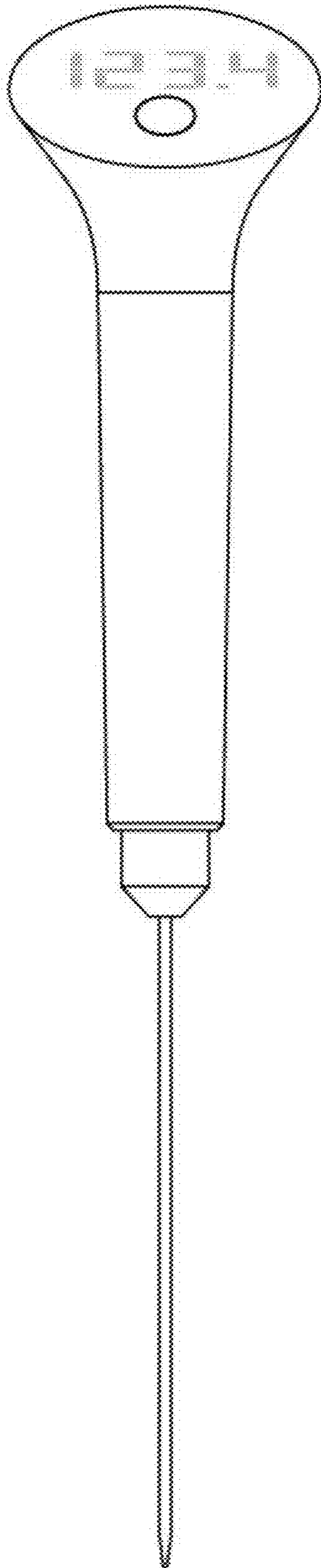
1.5



1.6



1.7





1.8

