



US00D856166S

(12) **United States Design Patent**  
**Duval**

(10) **Patent No.:** **US D856,166 S**

(45) **Date of Patent:** **\*\* Aug. 13, 2019**

(54) **WATCH**

(71) Applicant: **SEVENFRIDAY AG**, Zurich (CH)

(72) Inventor: **Arnaud Duval**, Bienne (CH)

(\*\*) Term: **15 Years**

(21) Appl. No.: **29/632,798**

(22) Filed: **Jan. 10, 2018**

D588,025 S	3/2009	Belamich	
D598,304 S	8/2009	Belamich	
D659,042 S	5/2012	Gruosi	
D747,979 S	1/2016	Babcock et al.	
D749,433 S	2/2016	Duval	
D761,668 S	7/2016	Duval	
D772,866 S	11/2016	Park et al.	
D773,317 S	12/2016	Duval	
D773,457 S	12/2016	Park	
D782,923 S	4/2017	Belamich	
D801,197 S *	10/2017	Duval	D10/39
D835,527 S *	12/2018	Duval	D10/39
D836,007 S *	12/2018	Duval	D10/39

**Related U.S. Application Data**

(62) Division of application No. 35/501,720, filed on Sep. 3, 2016 (U.S. filing date under 35 U.S.C. 384), and having an international filing date of Sep. 3, 2016, now Pat. No. Des. 820,691.

**Foreign Application Priority Data**

(30) Mar. 4, 2016 (CH) ..... 142197

(51) **LOC (12) Cl.** ..... **10-02**

(52) **U.S. Cl.**  
USPC ..... **D10/39**

(58) **Field of Classification Search**  
USPC ..... D10/39, 32  
See application file for complete search history.

**References Cited**

**U.S. PATENT DOCUMENTS**

D519,390 S *	4/2006	Lovegrove	D10/39
D578,412 S *	10/2008	Belamich	D10/39

\* cited by examiner

*Primary Examiner* — George D. Kirschbaum

(74) *Attorney, Agent, or Firm* — Gordon & Jacobson, P.C.

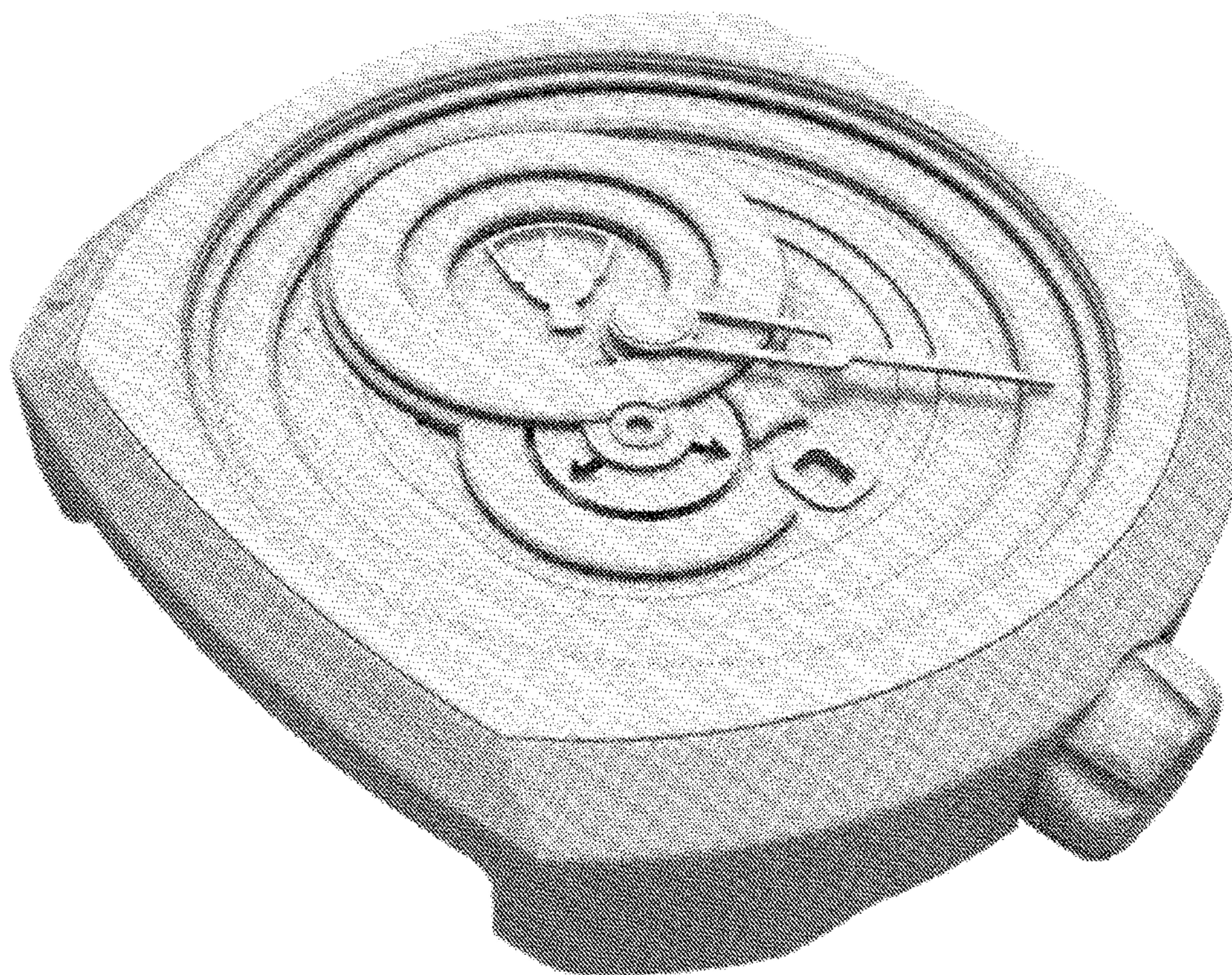
(57) **CLAIM**

The ornamental design for a watch, as shown and described.

**DESCRIPTION**

FIG. 1 is a perspective view of a watch.  
FIG. 2 shows a left side of the watch of FIG. 1.  
FIG. 3 shows a top side of the watch of FIG. 1.  
FIG. 4 shows a front side of the watch of FIG. 1.  
FIG. 5 shows a bottom side of the watch of FIG. 1.  
FIG. 6 shows a right side of the watch of FIG. 1.  
FIG. 7 shows a back side of the watch of FIG. 1; and,  
FIG. 8 shows another perspective view of the watch of FIG. 1.

**1 Claim, 8 Drawing Sheets**



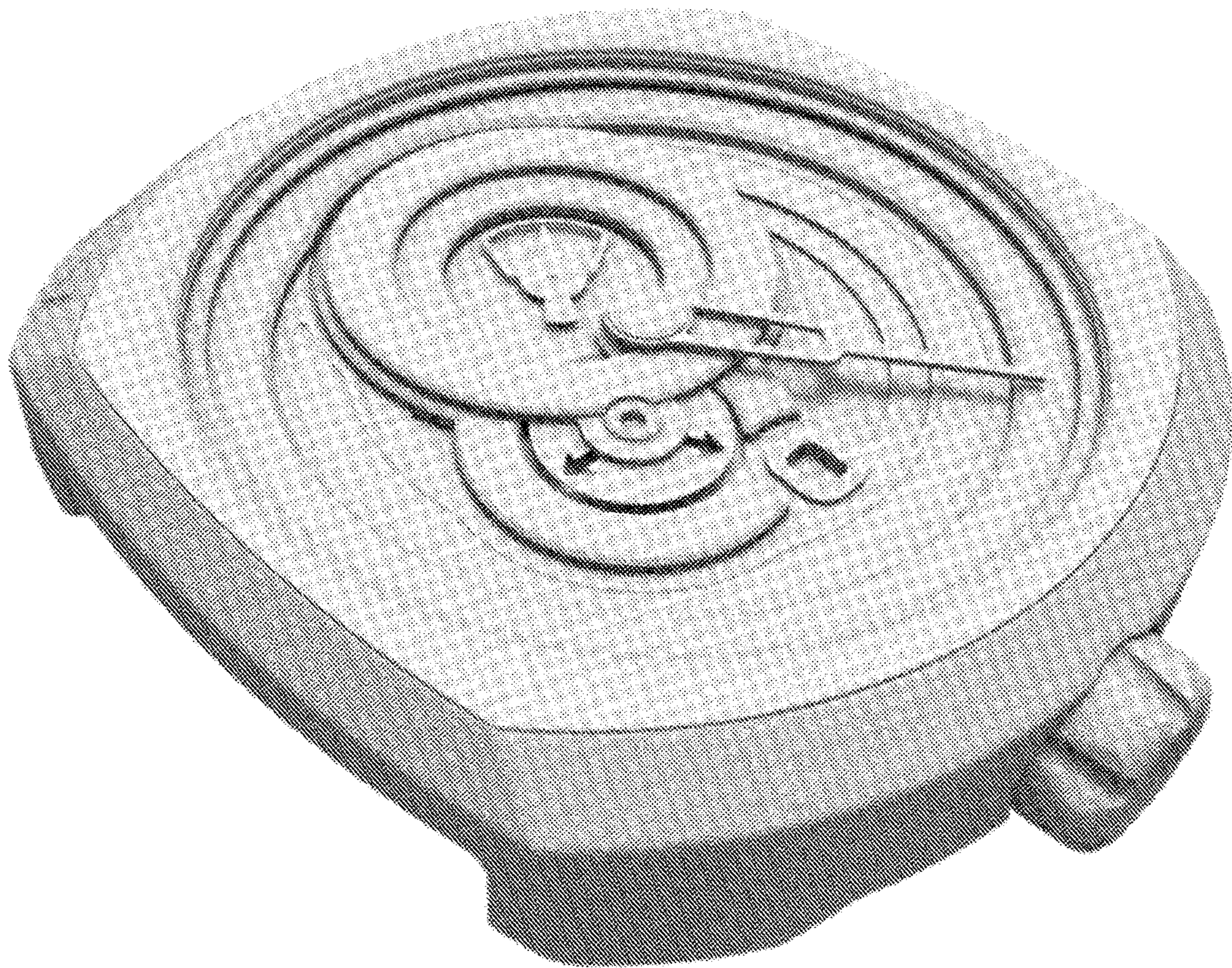


FIG. 1

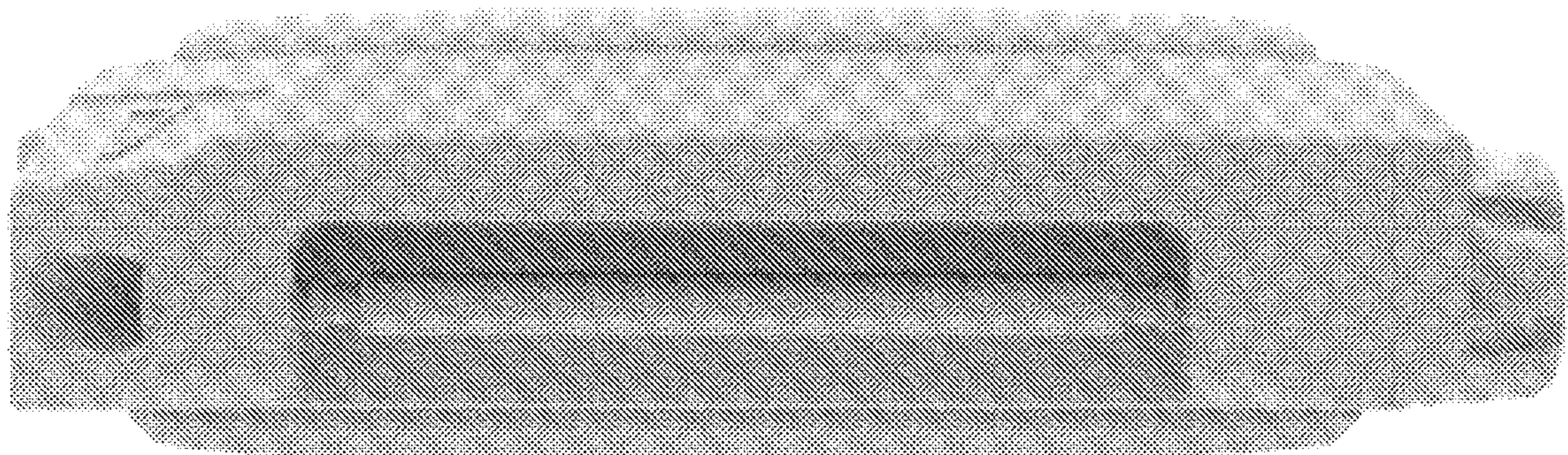


FIG. 2

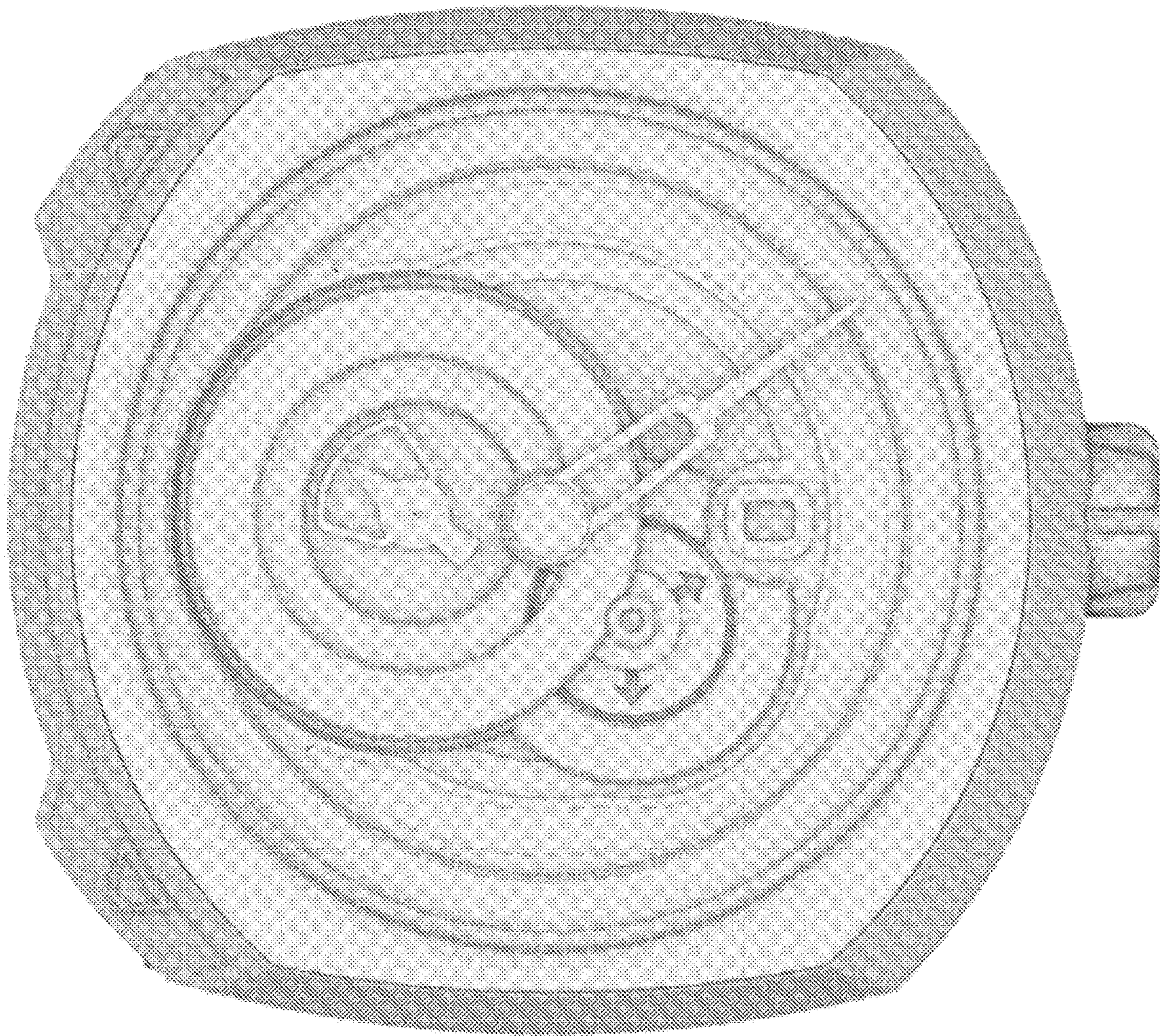


FIG. 3

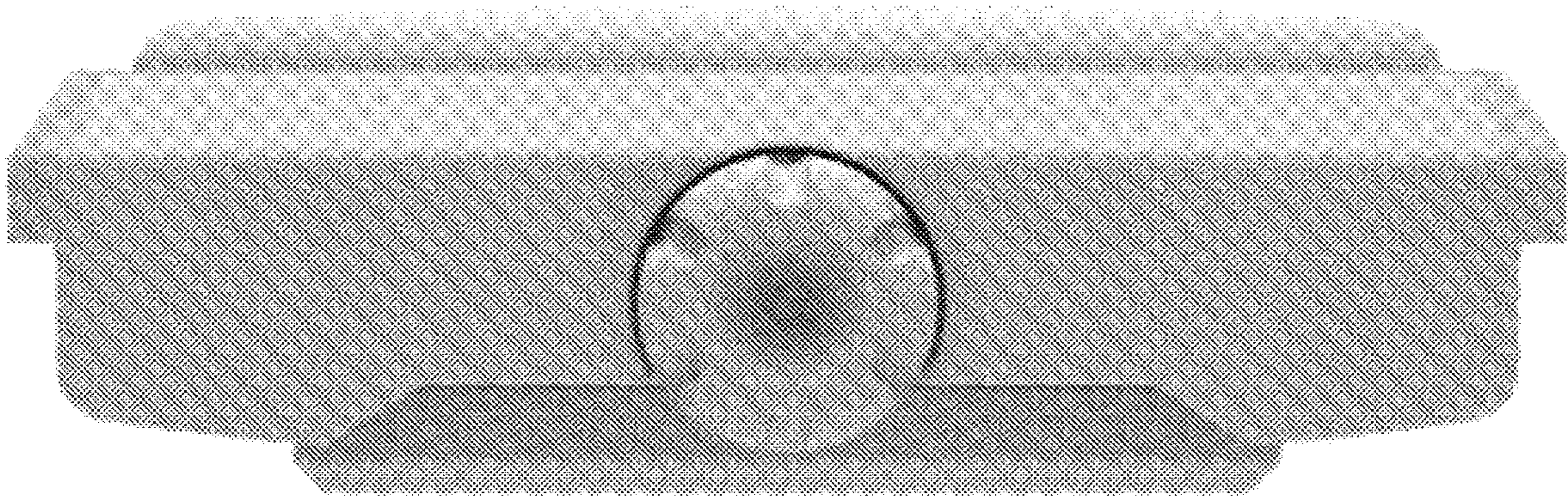


FIG. 4

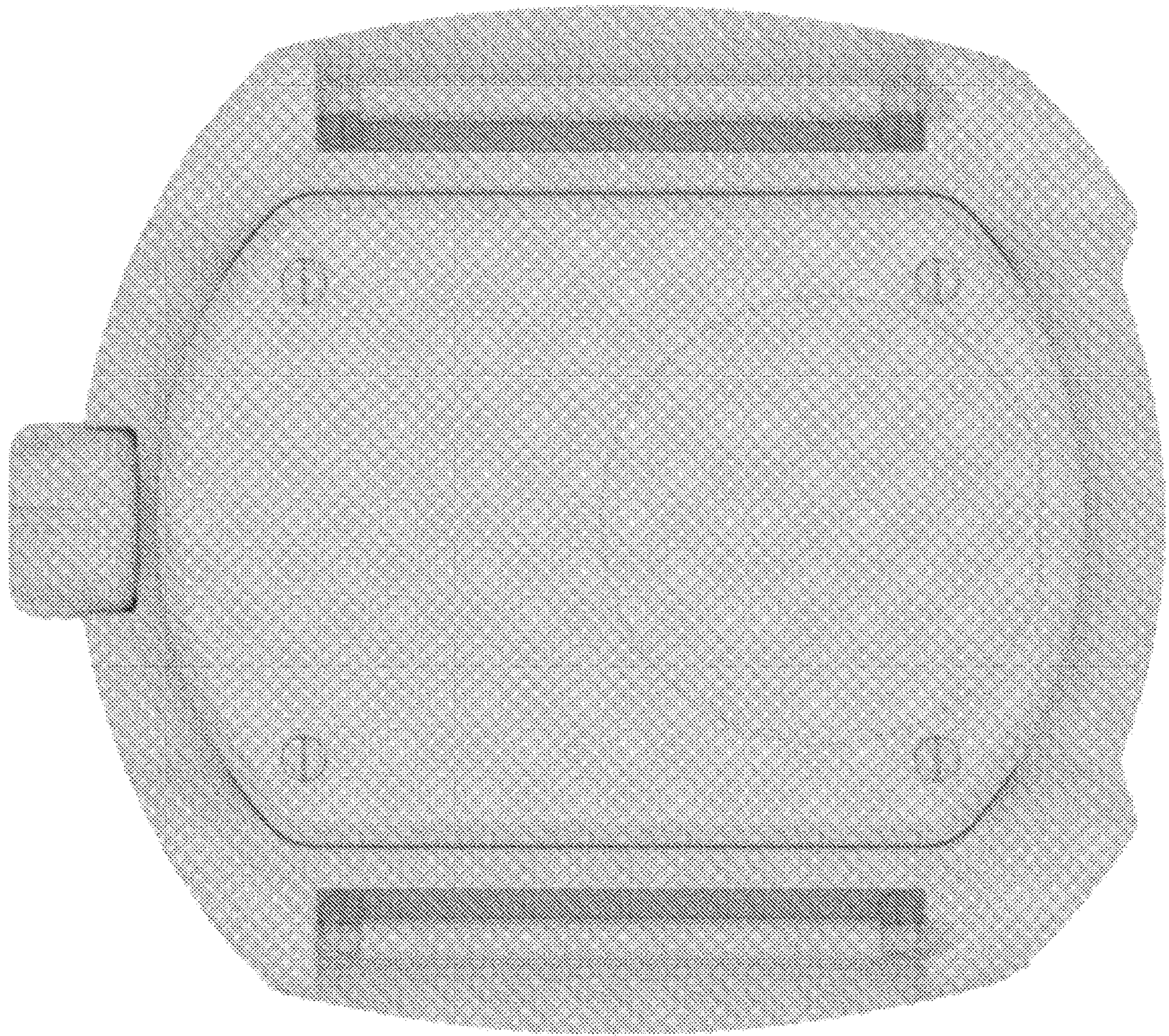


FIG. 5

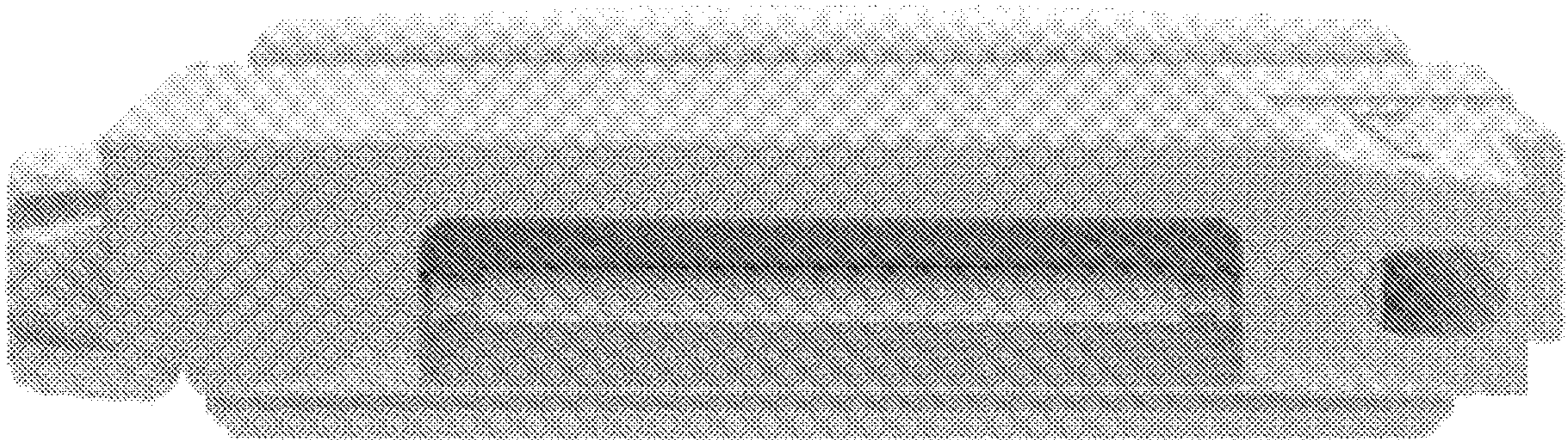


FIG. 6

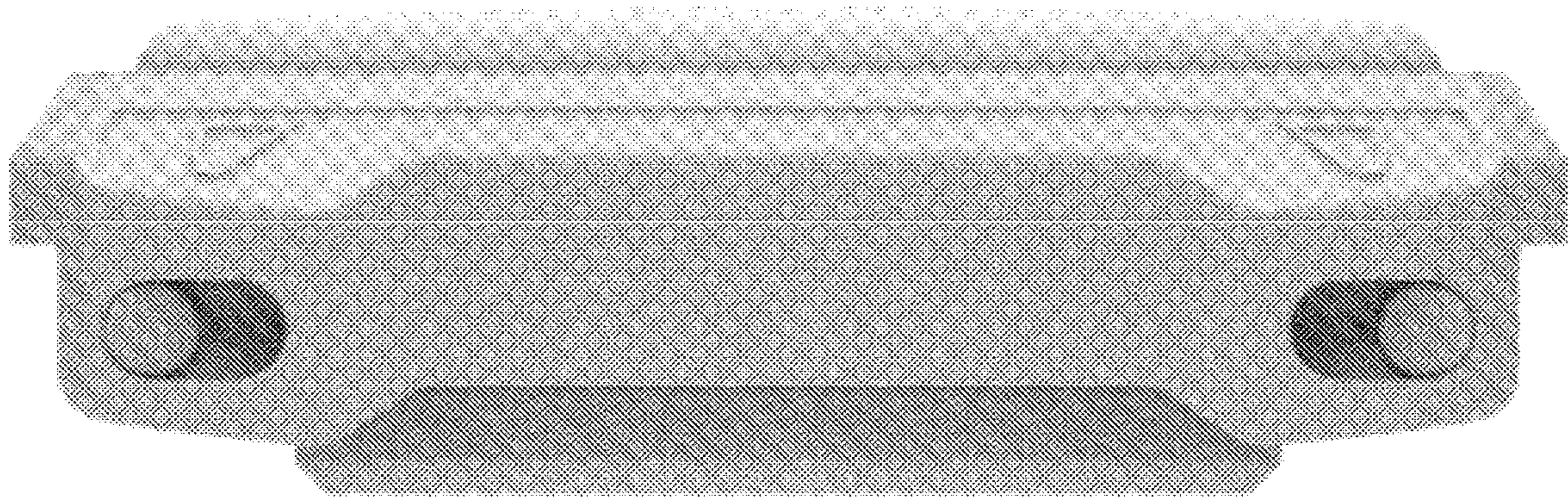


FIG. 7



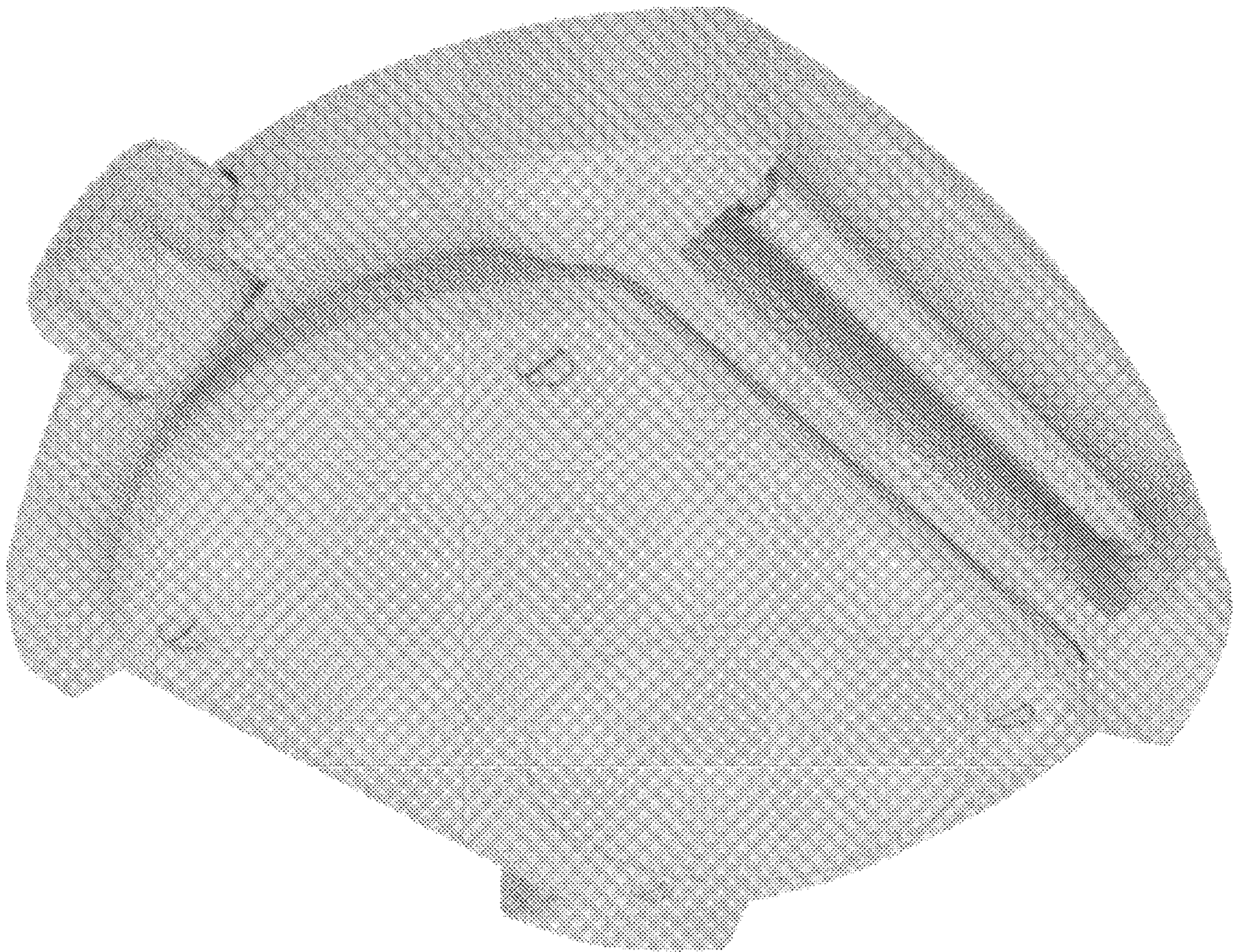


FIG. 8