



US00D856164S

(12) **United States Design Patent** (10) **Patent No.:** **US D856,164 S**  
**Berneron** (45) **Date of Patent:** **\*\* Aug. 13, 2019**

(54) **WATCH**  
(71) Applicant: **Richemont International SA,**  
Villars-sur-Glane (CH)  
(72) Inventor: **Sylvain Berneron,** Geneva (CH)  
(73) Assignee: **Richemont International SA,**  
Villars-sur-Glane (CH)

D360,142 S \* 7/1995 Polenberg ..... D10/30  
D377,612 S \* 1/1997 Lee ..... D10/2  
D380,970 S \* 7/1997 Phillips ..... D10/30  
D384,897 S \* 10/1997 Kennedy ..... D10/30  
D397,042 S \* 8/1998 Riley ..... D10/30  
D414,705 S \* 10/1999 Kennedy ..... D10/30  
D417,158 S \* 11/1999 Krauss ..... D10/30

(Continued)

(\*\*) Term: **15 Years**  
(21) Appl. No.: **29/626,523**  
(22) Filed: **Nov. 17, 2017**

(30) **Foreign Application Priority Data**

Jun. 2, 2017 (WO) ..... DM/096387  
(51) **LOC (12) Cl.** ..... **10-02**  
(52) **U.S. Cl.**  
USPC ..... **D10/39**  
(58) **Field of Classification Search**  
USPC ..... D10/1-2, 10, 30-33, 36-39, 98-99,  
D10/122-124, 126-128, 132; D11/3;  
D14/344; D24/167, 186  
CPC ..... G04C 19/00; G04C 19/02; G04B 19/00;  
G04B 19/025; G04B 19/08; G04B  
19/048; G04B 19/04; G04B 19/046;  
G04B 19/06; G04B 19/065; G04B  
19/082; G04B 19/085; G04B 19/087;  
G04B 19/10; G04B 19/103; G04B  
19/106; G04B 47/042; G04B 19/12;  
G04B 19/18; G04B 19/223; G04B 19/23;  
G04B 19/24; G04B 19/241; G04B  
19/243; G04D 3/04

See application file for complete search history.

(56) **References Cited**

**U.S. PATENT DOCUMENTS**

D69,291 S \* 1/1926 Tannenbaum ..... D10/36  
5,119,349 A \* 6/1992 Muto ..... G04C 17/00  
368/107

**OTHER PUBLICATIONS**

Skagen Signatur Watch | posted at amazon.com, first listed Jul. 2017  
© 1996-2018, Amazon.com, Inc [online][site visited Sep. 10,  
2018] . Available from internet: <<https://www.amazon.com/Skagen-Signatur-Quartz-Stainless-Leather/dp/B071HPSH89>> (Year: 2017).\*

(Continued)

*Primary Examiner* — Sandra S Snapp  
*Assistant Examiner* — Katherine Glennon  
(74) *Attorney, Agent, or Firm* — Taft Stettinius &  
Hollister LLP

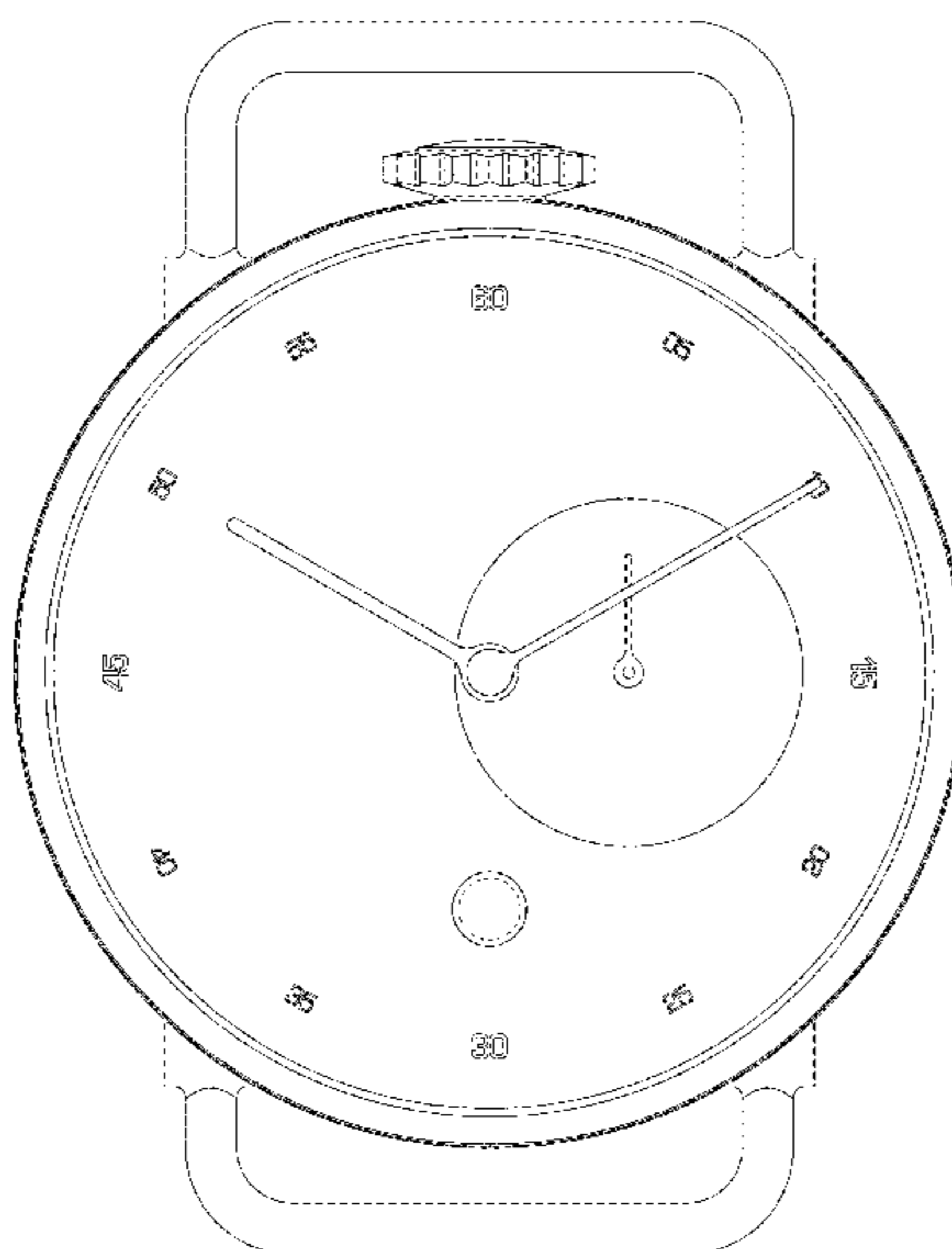
(57) **CLAIM**

The ornamental design for a watch, as shown and described.

**DESCRIPTION**

FIG. 1 is a front elevational view of a watch showing my new design;  
FIG. 2 is a back elevational view thereof;  
FIG. 3 is a right side elevational view thereof;  
FIG. 4 is a left side elevational view thereof;  
FIG. 5 is a top plan view thereof;  
FIG. 6 is a bottom plan view thereof;  
FIG. 7 is a front, right side perspective view thereof; and,  
FIG. 8 is a back, left side perspective view thereof.  
The broken lines in the drawing figures depict unclaimed subject matter that forms no part of the claimed design.

**1 Claim, 8 Drawing Sheets**



(56)

**References Cited**

U.S. PATENT DOCUMENTS

6,944,098 B2 \* 9/2005 Rochat ..... G04B 37/0427  
 368/223  
 D522,885 S \* 6/2006 Le ..... D10/32  
 D539,688 S \* 4/2007 Bolt ..... D10/126  
 D586,683 S \* 2/2009 Pitton ..... D10/126  
 D594,352 S \* 6/2009 Belamich ..... D10/39  
 D673,870 S \* 1/2013 de Haas ..... D10/126  
 D685,279 S \* 7/2013 de Haas ..... D10/126  
 D718,152 S \* 11/2014 Gueit ..... D10/32  
 D723,963 S \* 3/2015 Gueit ..... D10/126  
 D725,501 S \* 3/2015 Jamin ..... D10/124  
 D730,751 S \* 6/2015 Belamich ..... D10/126  
 D746,157 S \* 12/2015 Babcock ..... D10/30  
 D759,512 S \* 6/2016 Belamich ..... D10/126  
 D769,146 S \* 10/2016 Firth ..... D10/128  
 D816,531 S \* 5/2018 Antifora ..... D10/126  
 D823,707 S \* 7/2018 Dicks ..... D10/126  
 D824,275 S \* 7/2018 Sivriere ..... D11/35  
 D824,793 S \* 8/2018 Kociszewski ..... D10/126  
 D827,453 S \* 9/2018 Davoli ..... D10/37  
 2017/0086538 A1 \* 3/2017 Siahaan ..... A44C 5/14

OTHER PUBLICATIONS

Baume Mercier Sister Brand Baume | posted at watchonista.com  
 May 2018 © The Watches Network 2018 [online][site visited Sep.  
 6, 2018]. Available from internet: <[https://www.watchonista.com/  
 articles/watch-industry/industry-news-baume-mercier-introduces-  
 start-sister-brand-baume](https://www.watchonista.com/articles/watch-industry/industry-news-baume-mercier-introduces-start-sister-brand-baume)> (Year: 2018).\*

\* cited by examiner

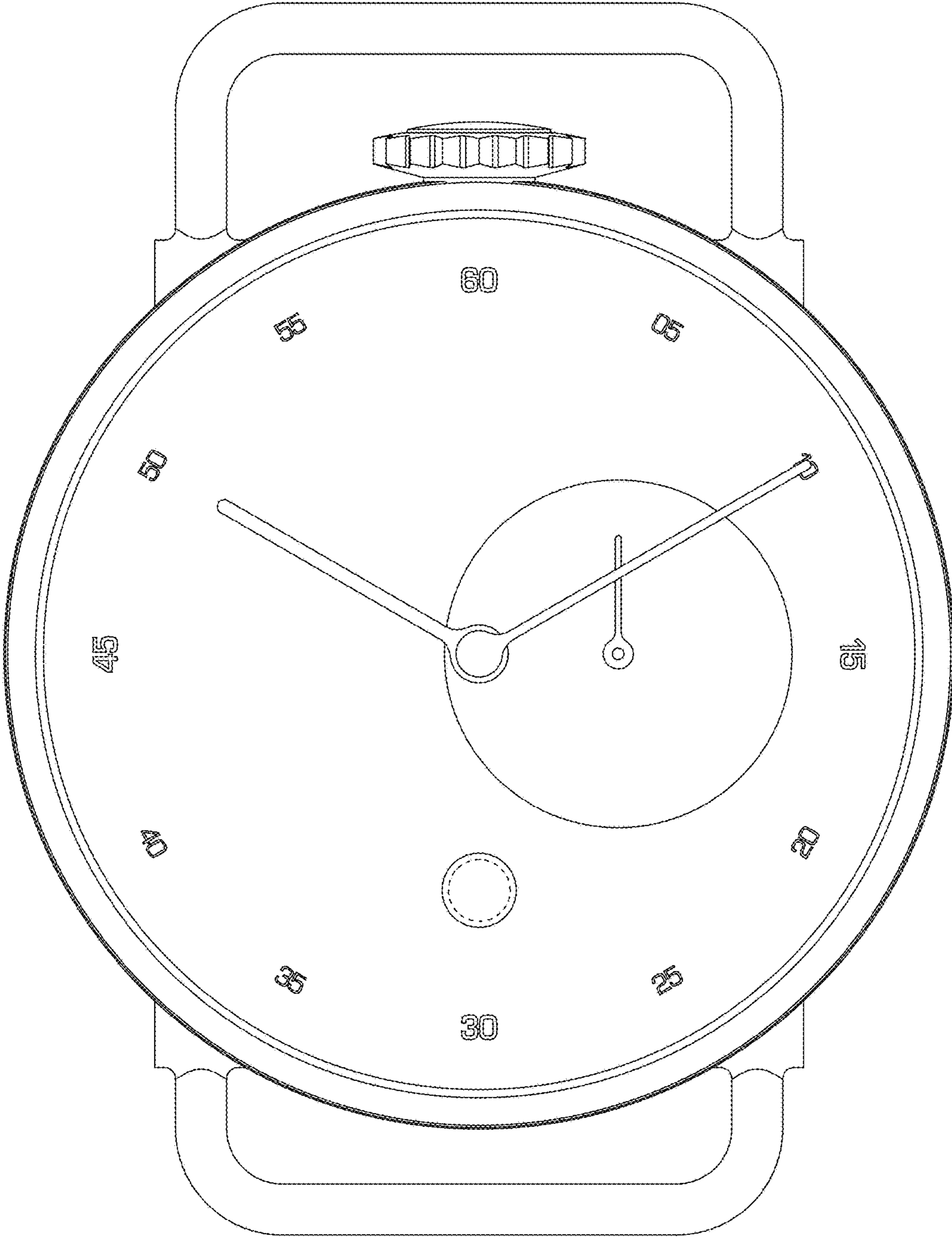


Fig. 1

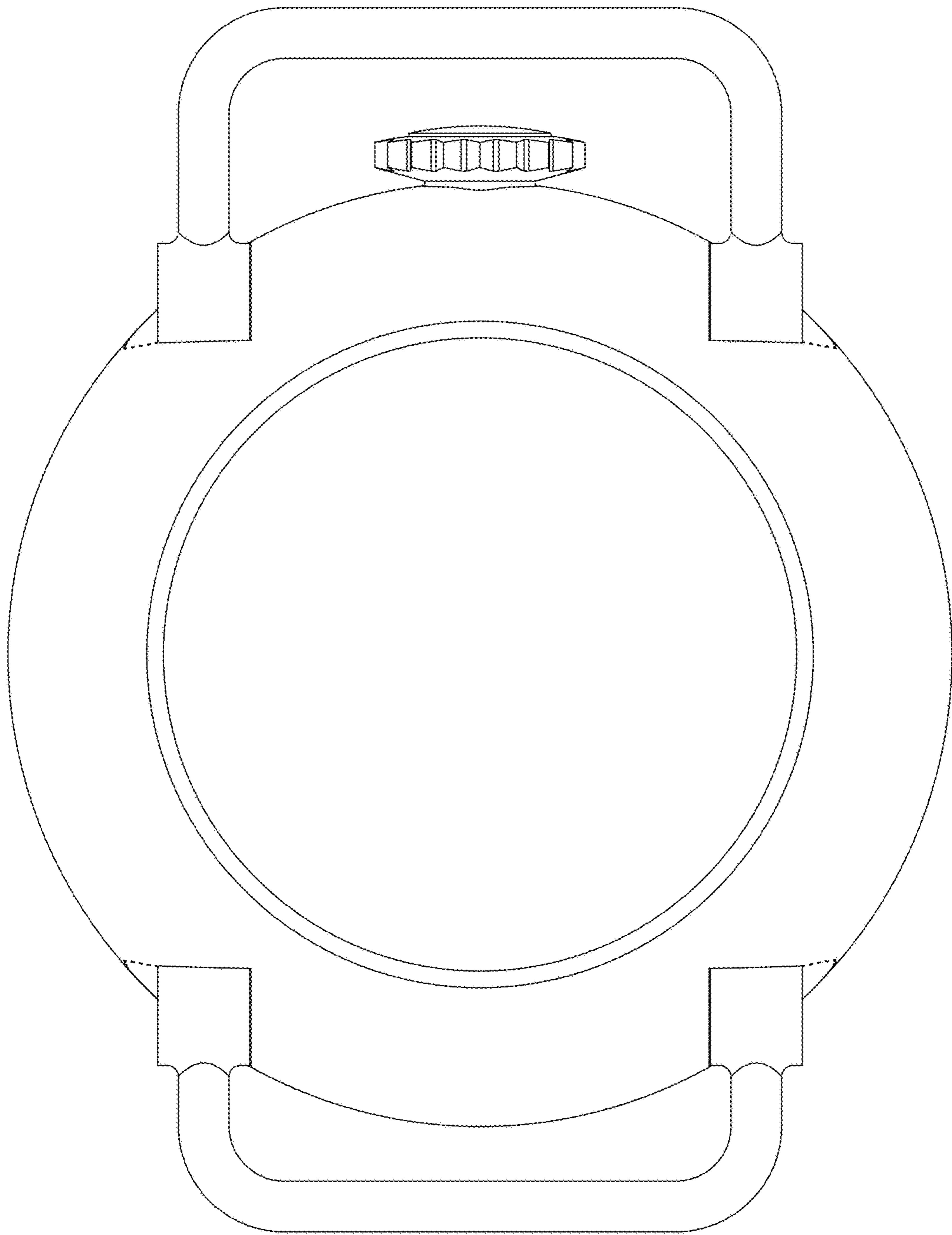


Fig. 2

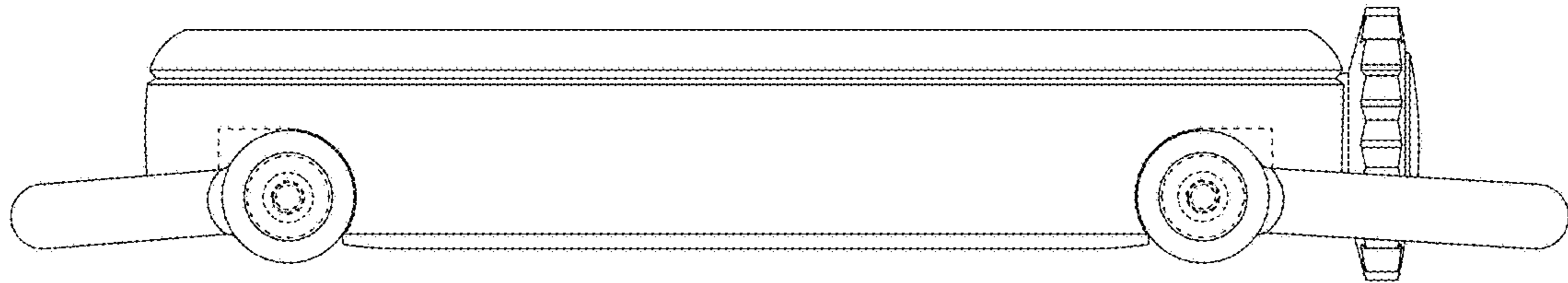


Fig. 3

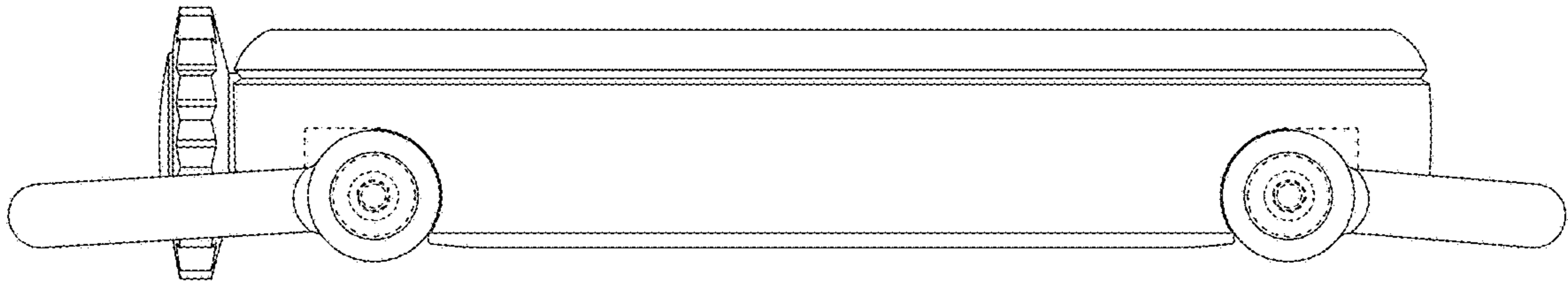


Fig. 4

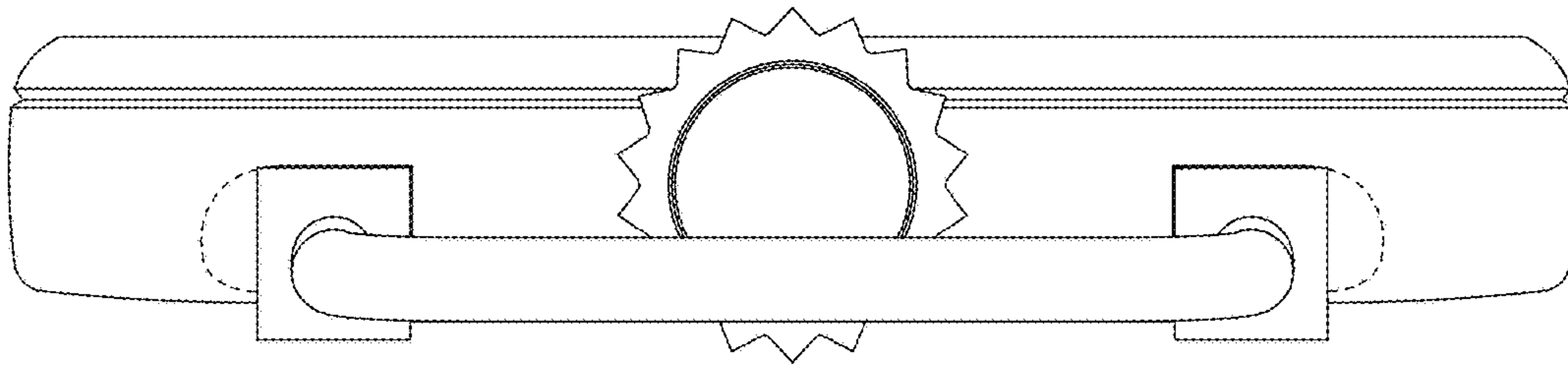


Fig. 5

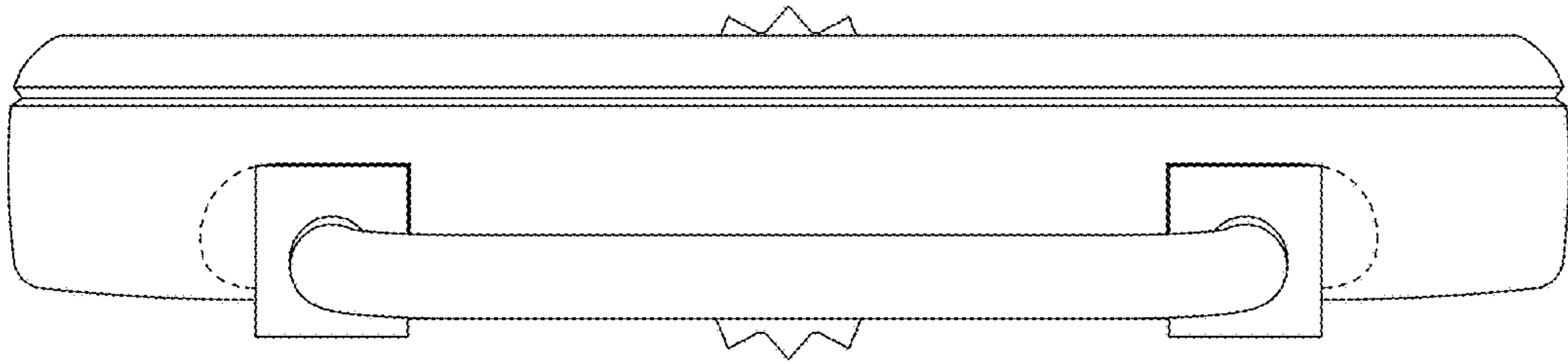


Fig. 6



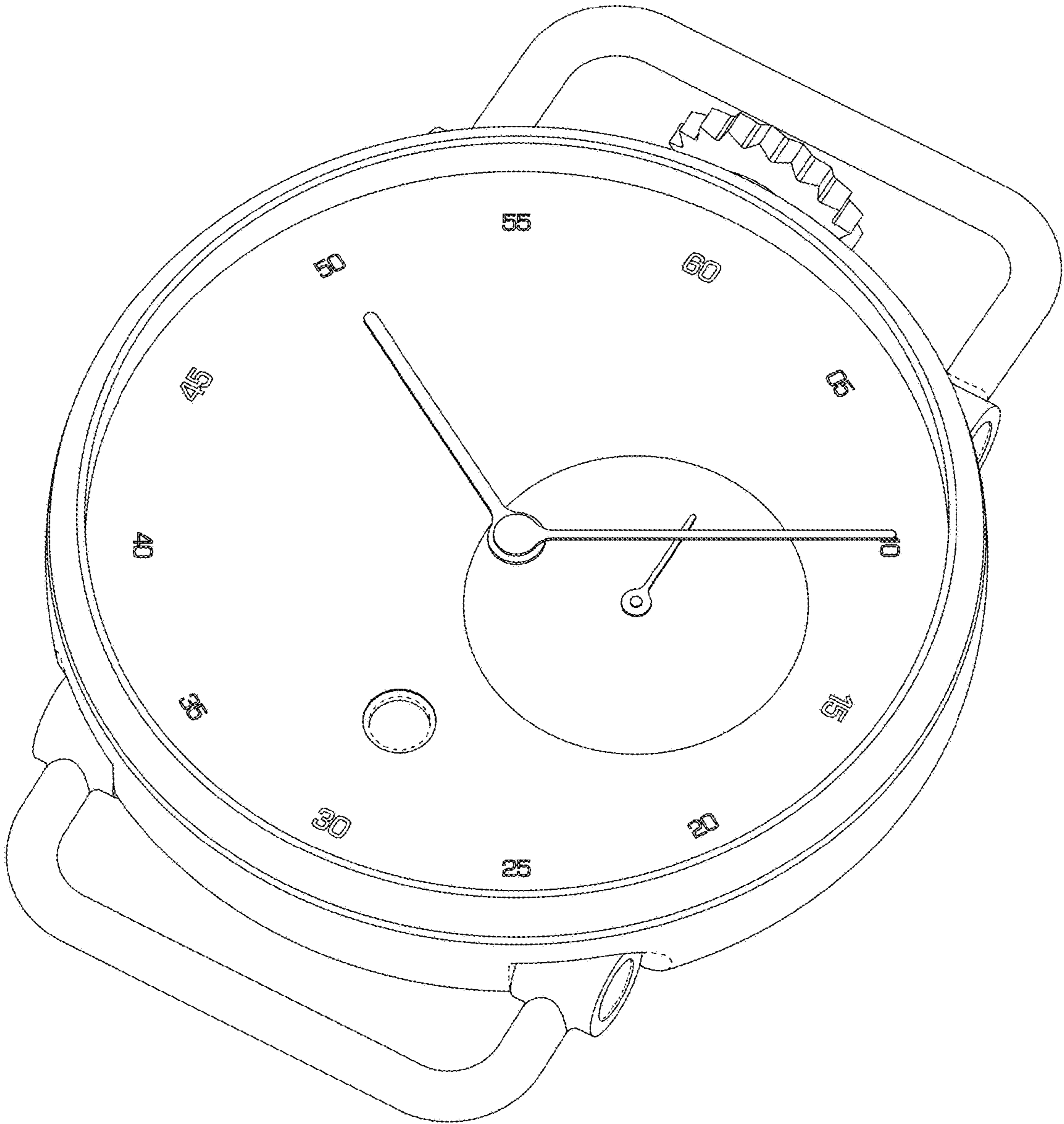


Fig. 7

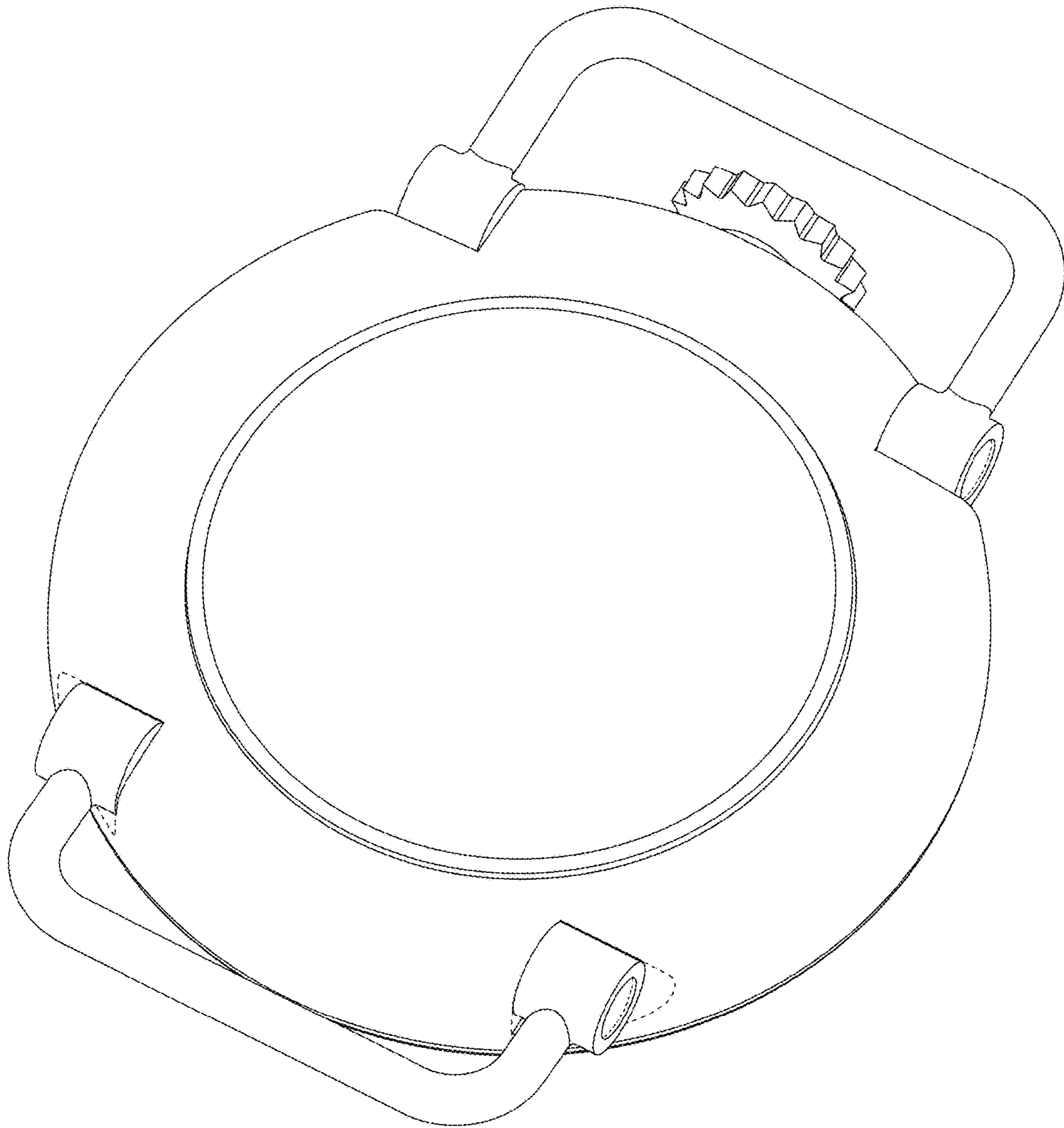


Fig. 8