



US00D856163S

(12) **United States Design Patent** (10) **Patent No.:** **US D856,163 S**
Berneron (45) **Date of Patent:** **** Aug. 13, 2019**

(54) **WATCH**

(71) Applicant: **Richemont International SA,**
Villars-sur-Glane (CH)
(72) Inventor: **Sylvain Berneron,** Geneva (CH)
(73) Assignee: **Richemont International SA,**
Villars-sur-Glane (CH)

D303,504 S * 9/1989 Hysek D10/32
4,881,213 A * 11/1989 Zaslowsky G04B 19/268
368/15
D360,142 S * 7/1995 Polenberg D10/30
D377,612 S * 1/1997 Lee D10/2
D380,970 S * 7/1997 Phillips D10/30
D384,897 S * 10/1997 Kennedy D10/30
D397,042 S * 8/1998 Riley D10/30

(Continued)

(**) Term: **15 Years**

OTHER PUBLICATIONS

(21) Appl. No.: **29/626,512**

Hermes Perpetual Calendar | posted at watchesbysjx.com Jun. 2015
© SJX 2011-2018 [online][site visited Sep. 10, 2018]. Available
from internet: <<http://watchesbysjx.com/2015/06/hands-on-with-the-slim-dhermes-perpetual-calendar-plus-original-photos-price.html>> (Year:
2015).*

(22) Filed: **Nov. 17, 2017**

(Continued)

(30) **Foreign Application Priority Data**

Jun. 2, 2017 (WO) DM/096387

(51) **LOC (12) Cl.** **10-02**

(52) **U.S. Cl.**
USPC **D10/39**

(58) **Field of Classification Search**

USPC D10/1-2, 10, 30-33, 36-39, 98-99,
D10/122-124, 126-128, 132; D11/3;
D14/344; D24/167, 186
CPC G04C 19/00; G04C 19/02; G04B 19/00;
G04B 19/025; G04B 19/08; G04B
19/048; G04B 19/04; G04B 19/046;
G04B 19/06; G04B 19/065; G04B
19/082; G04B 19/085; G04B 19/087;
G04B 19/10; G04B 19/103; G04B
19/106; G04B 47/042; G04B 19/12;
G04B 19/18; G04B 19/223; G04B 19/23;
G04B 19/24; G04B 19/241; G04B
19/243; G04D 3/04

See application file for complete search history.

Primary Examiner — Sandra S Snapp

Assistant Examiner — Katherine Glennon

(74) *Attorney, Agent, or Firm* — Taft Stettinius &
Hollister LLP

(57) **CLAIM**

The ornamental design for a watch, as shown and described.

DESCRIPTION

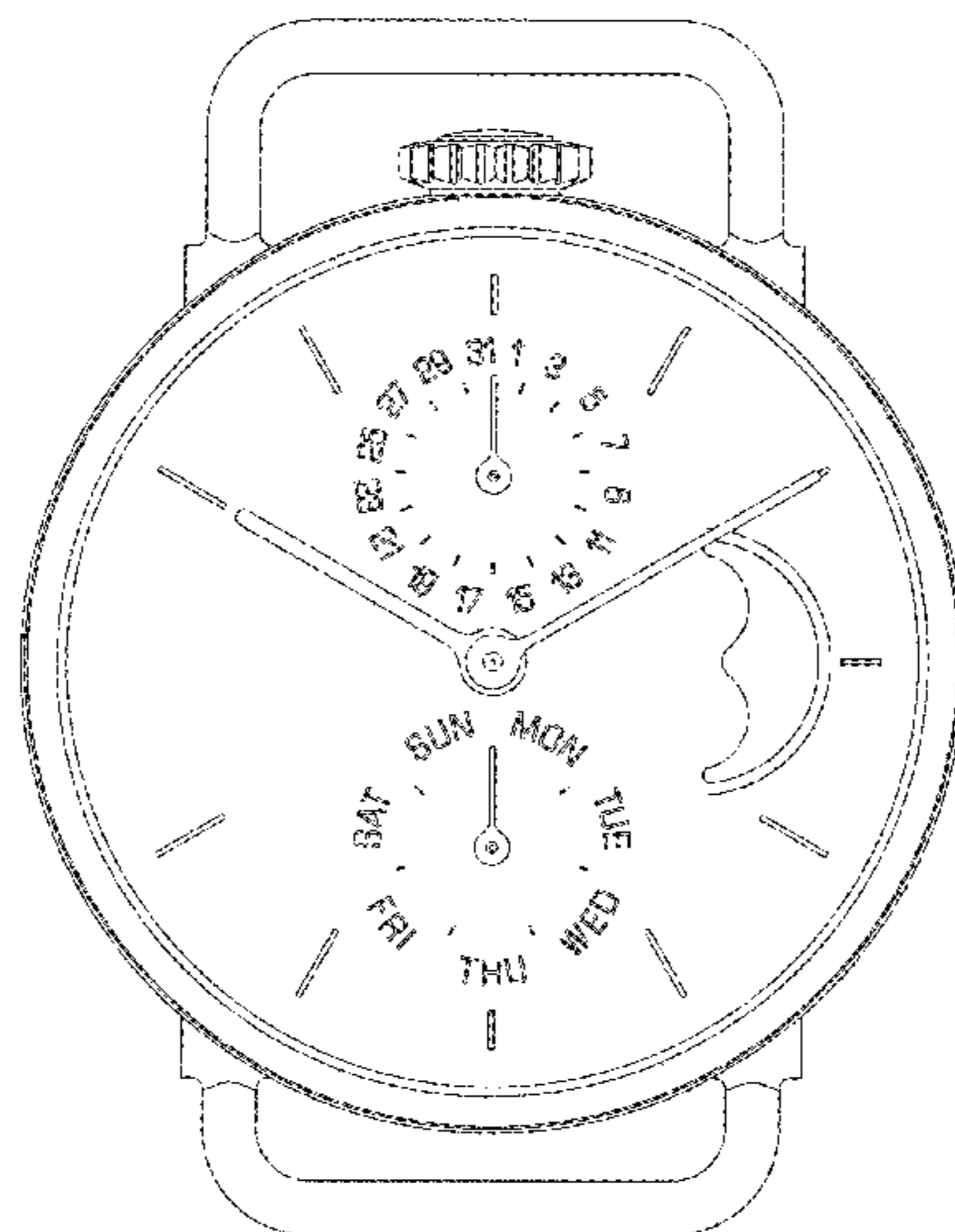
FIG. 1 is a front elevational view of a watch showing my
new design;
FIG. 2 is a back elevational view thereof;
FIG. 3 is a right side elevational view thereof;
FIG. 4 is a left side elevational view thereof;
FIG. 5 is a top plan view thereof;
FIG. 6 is a bottom plan view thereof;
FIG. 7 is a front, right side perspective view thereof; and,
FIG. 8 is a back, left side perspective view thereof.
The broken lines in the drawing figures depict unclaimed
subject matter that forms no part of the claimed design.

(56) **References Cited**

U.S. PATENT DOCUMENTS

D69,291 S * 1/1926 Tannenbaum D10/36
4,766,579 A * 8/1988 Sporning G04B 19/25
368/15

1 Claim, 8 Drawing Sheets



(56)

References Cited

U.S. PATENT DOCUMENTS

D417,158 S * 11/1999 Krauss D10/30
 D479,137 S * 9/2003 Kauffmann D10/39
 D484,062 S * 12/2003 Kauffmann D10/39
 D676,338 S * 2/2013 Jacquerye D10/39
 D702,135 S * 4/2014 Loth D10/32
 D746,157 S * 12/2015 Babcock D10/30
 D756,260 S * 5/2016 Nguyen-Tang D10/126
 D759,512 S * 6/2016 Belamich D10/126
 D769,146 S * 10/2016 Firth D10/128
 D791,632 S * 7/2017 Lintz D10/126
 D823,707 S * 7/2018 Dicks D10/126
 D824,275 S * 7/2018 Sivriere D11/35
 D824,793 S * 8/2018 Kociszewski D10/126
 D827,453 S * 9/2018 Davoli D10/37
 2013/0176827 A1 * 7/2013 Zaugg G04B 19/262
 368/15
 2017/0086538 A1 * 3/2017 Siahaan A44C 5/14

OTHER PUBLICATIONS

Frederique Constant Slimline Moonphase | posted at wornandwound.com Sep. 19, 2017 © 2011-2017, worn&wound LLC [online][site visited Sep. 10, 2018]. Available from internet: <<https://wornandwound.com/introducing-frederique-constant-slimline-moonphase-manufacture/>> (Year: 2017).*

Vacheron Constantin Patrimony Perpetual Calendar | posted at hodinkee.com Jan. 2017 © 2009-2018, Hodinkee Inc [online][site visited Sep. 10, 2018]. Available from internet: <<https://www.hodinkee.com/articles/vacheron-constantin-patrimony-perpetual-calendar-pink-gold-slate-grey-introducing>> (Year: 2017).*

Baume Mercier Sister Brand BAUME | posted at watchonista.com May 2018 © The Watches Network 2018 [online][site visited Sep. 6, 2018]. Available from internet: <<https://www.watchonista.com/articles/watch-industry/industry-news-baume-mercier-introduces-start-sister-brand-baume>> (Year: 2018).*

* cited by examiner

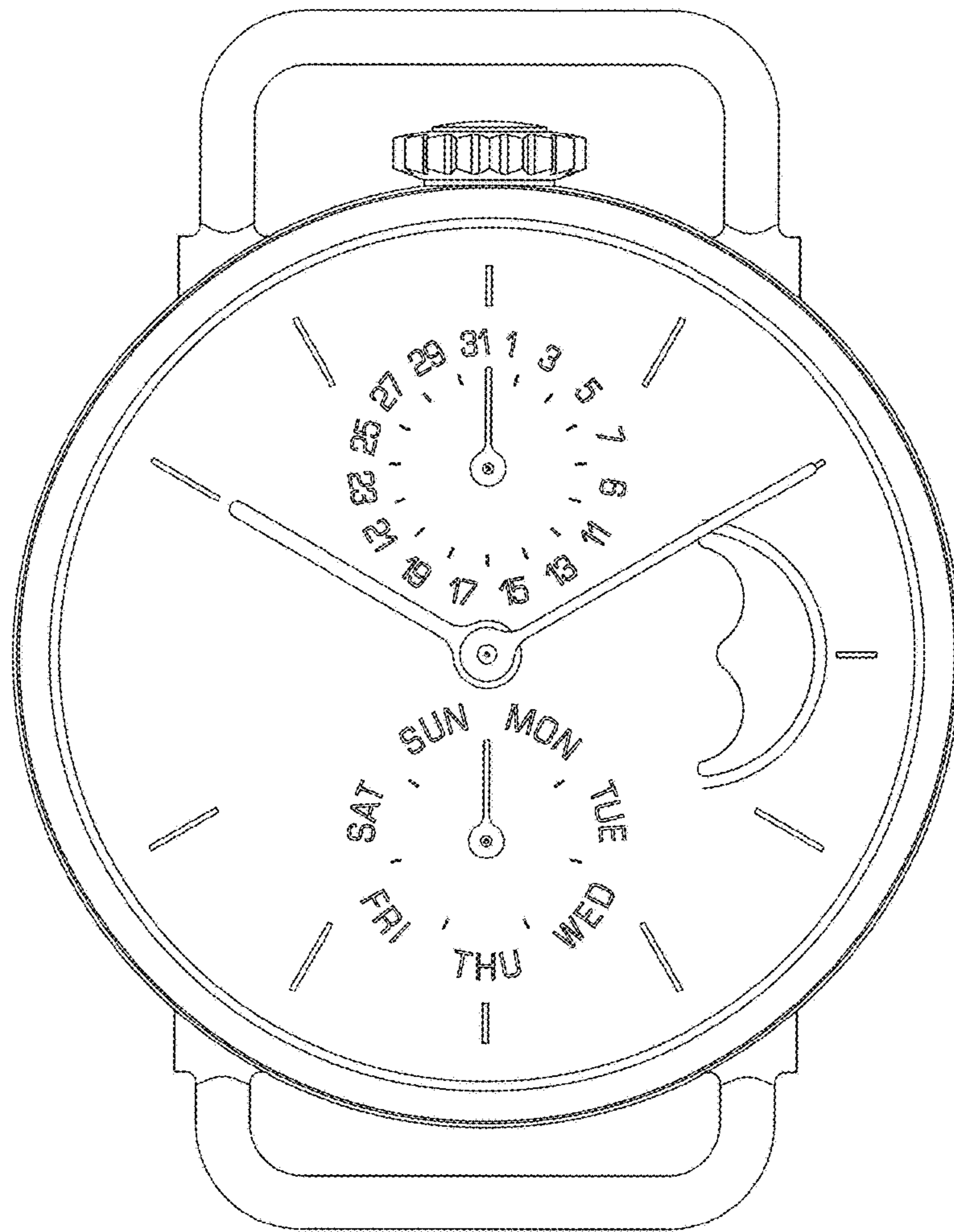


Fig. 1

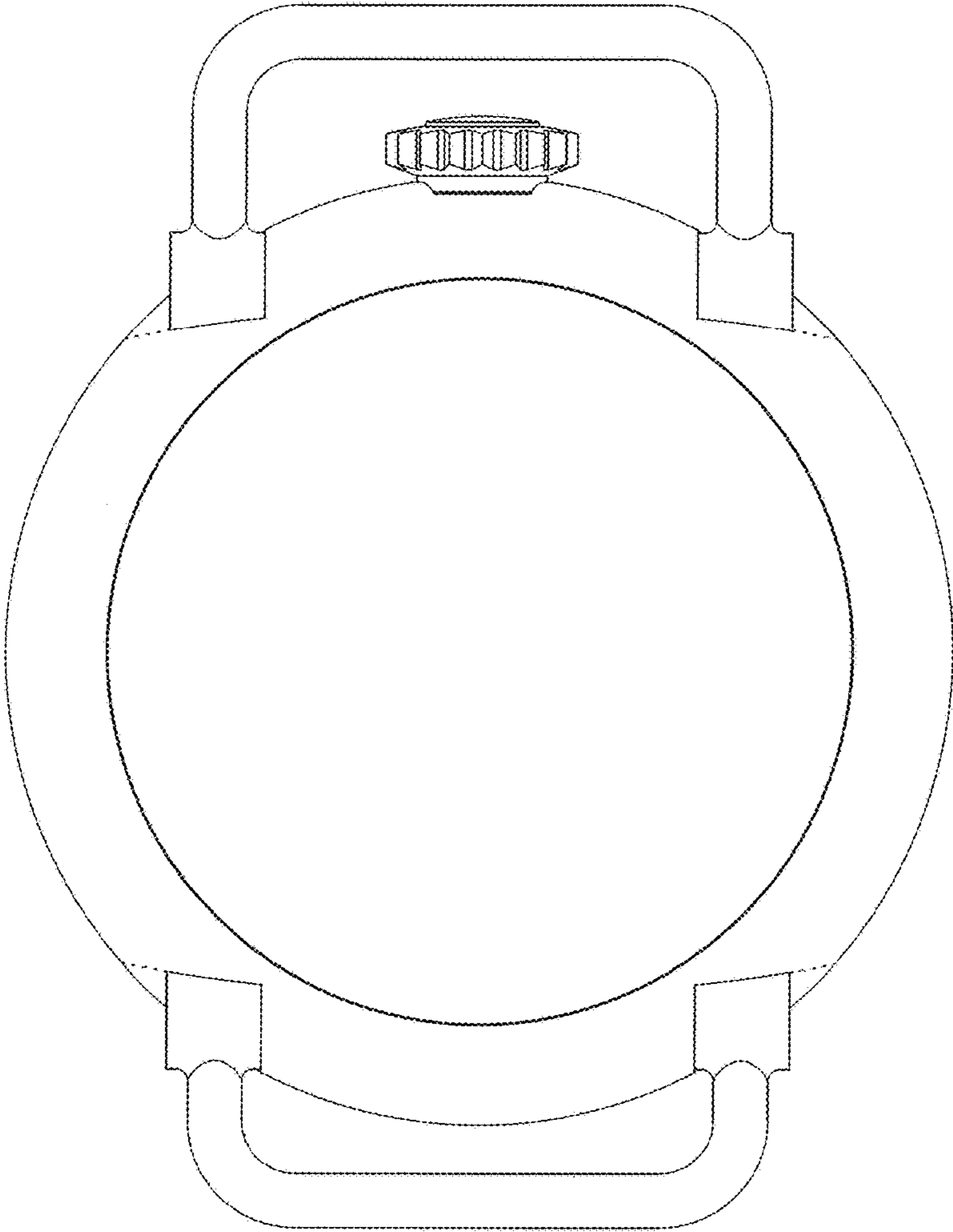


Fig. 2

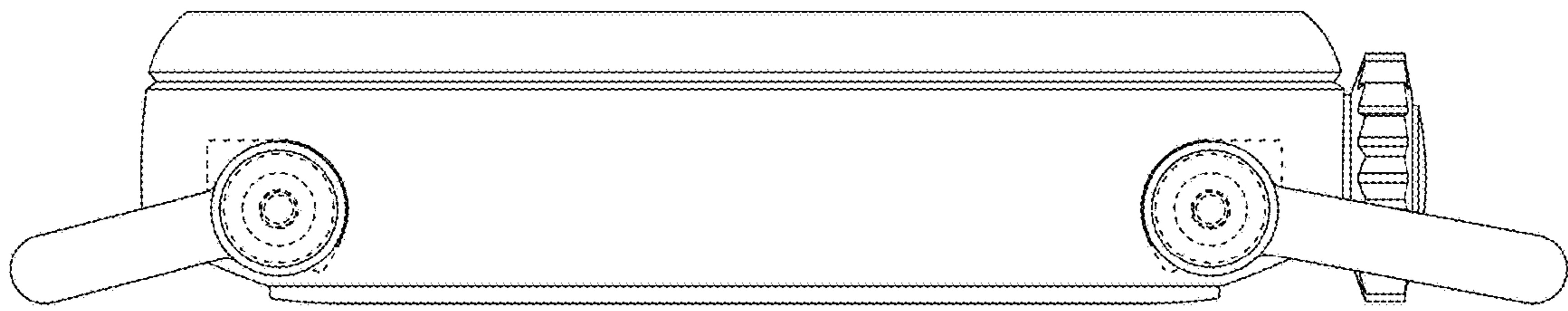


Fig. 3

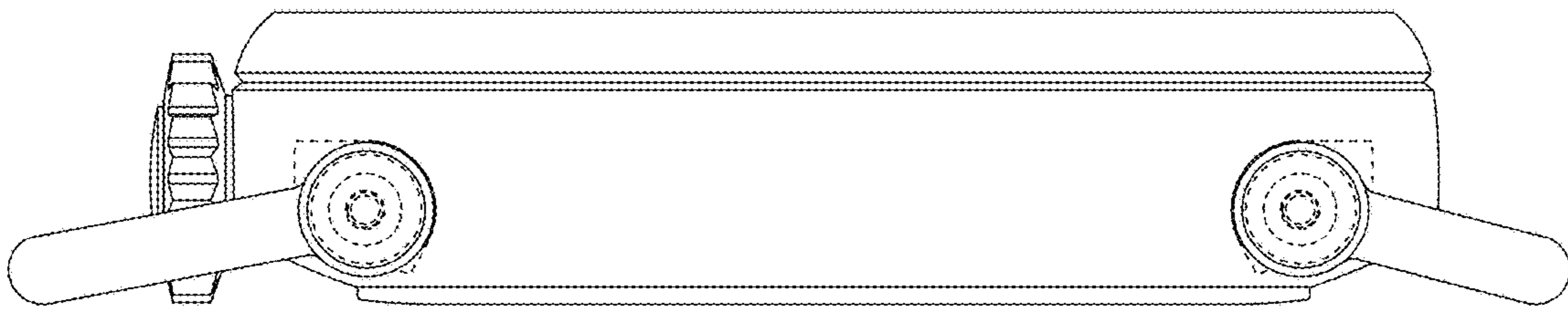


Fig. 4

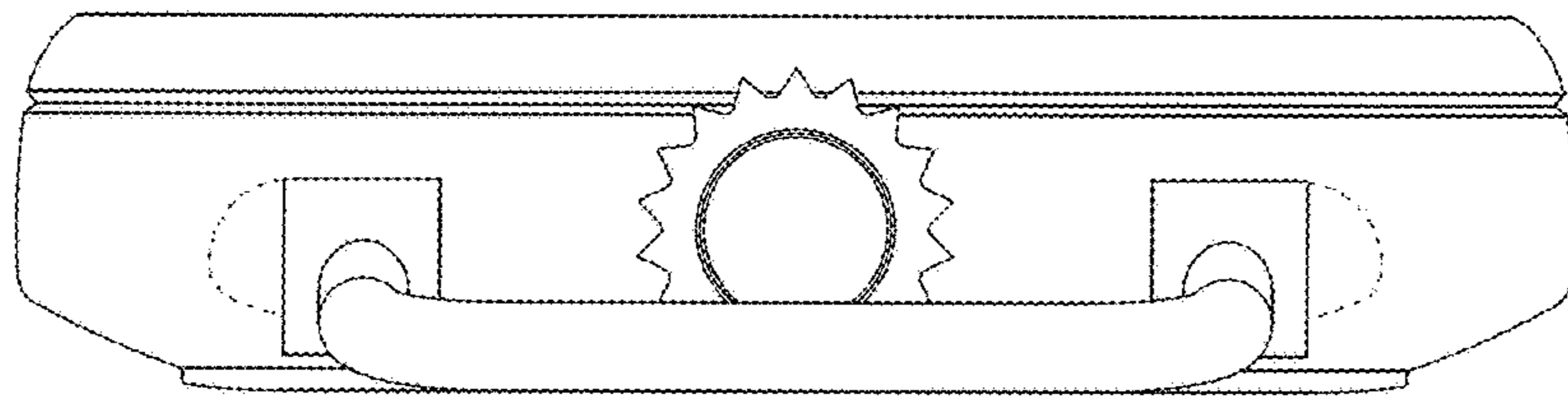


Fig. 5

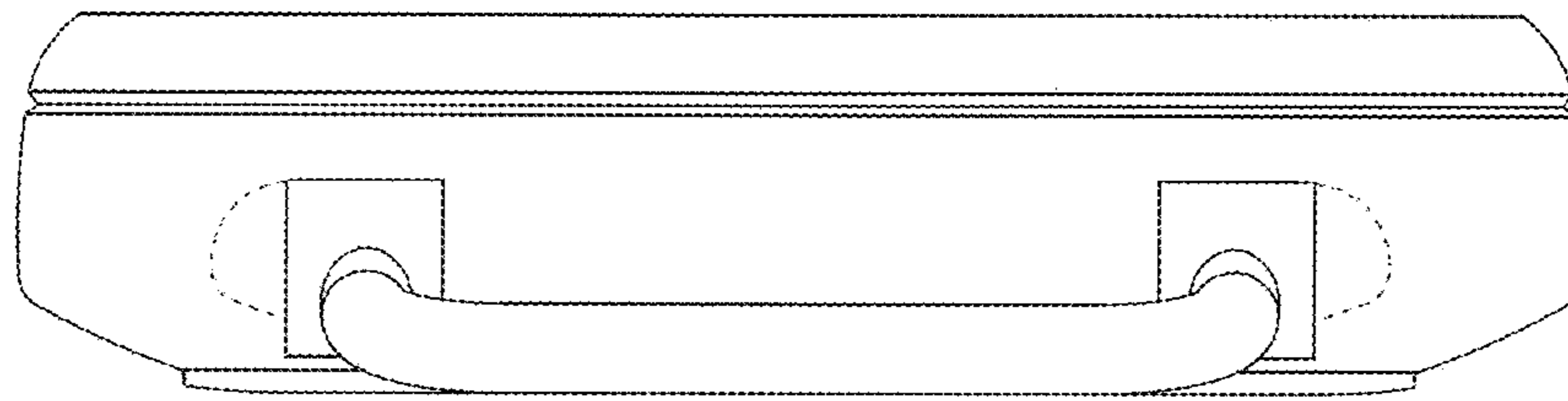


Fig. 6



Fig. 7

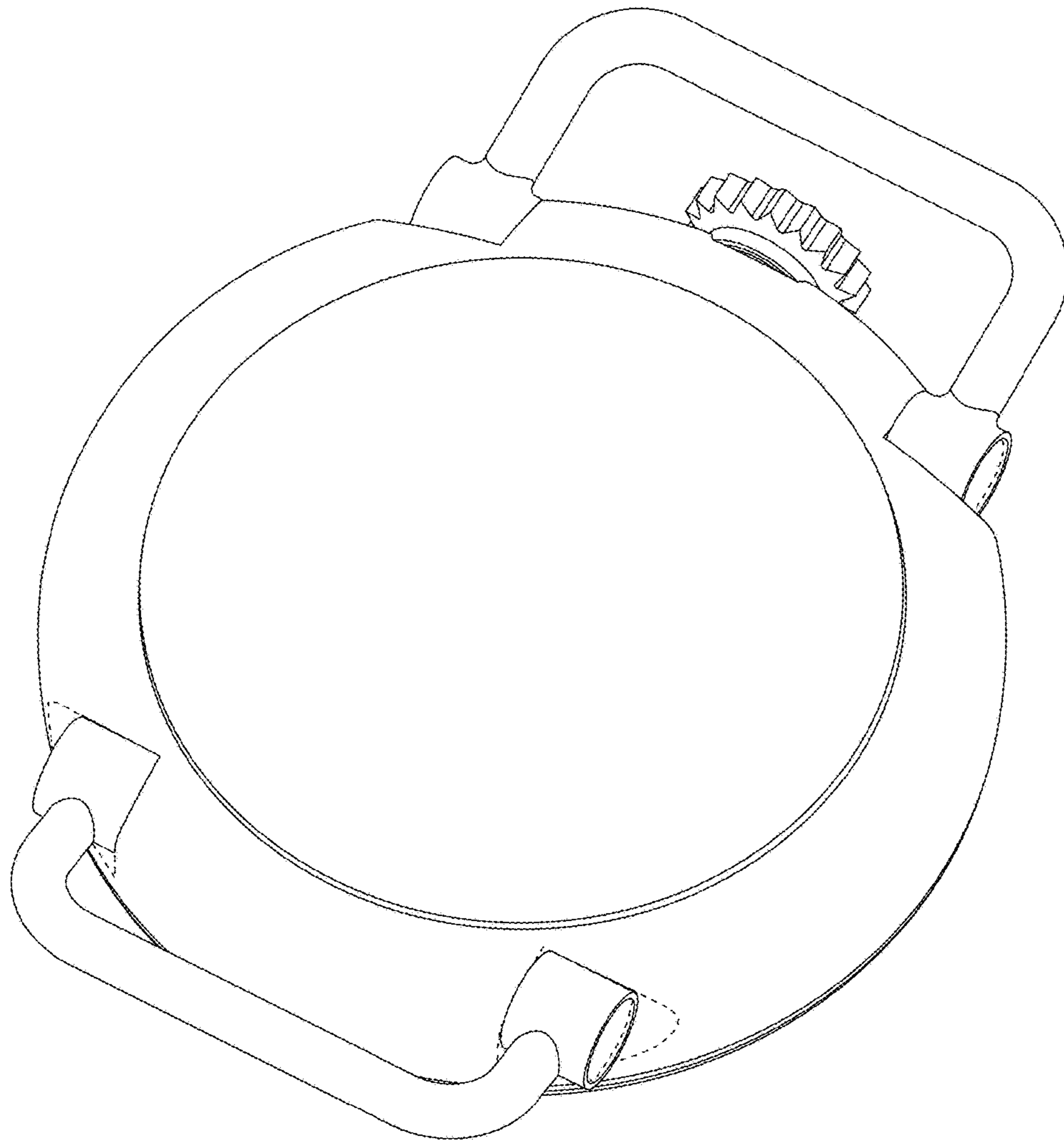


Fig. 8