



US00D856161S

(12) **United States Design Patent** (10) **Patent No.:** **US D856,161 S**
Bressan (45) **Date of Patent:** **** Aug. 13, 2019**

(54) **WATCH**

3/00; G04F 3/02; G04G 17/00; G04G 17/005; G04G 17/02-04; G04G 17/08

(71) Applicant: **LOUIS VUITTON MALLETIER**,
Paris (FR)

See application file for complete search history.

(72) Inventor: **Mirko Bressan**, London (GB)

(56) **References Cited**

(73) Assignee: **LOUIS VUITTON MALLETIER**,
Paris (FR)

U.S. PATENT DOCUMENTS

(**) Term: **15 Years**

D352,470 S *	11/1994	Besson	D10/129
D545,697 S *	7/2007	Martin	D10/38
D604,643 S *	11/2009	Ahlstrom	D10/31
D625,203 S *	10/2010	Giannini	D10/32
D659,553 S *	5/2012	Cavalli	D10/32
D675,942 S *	2/2013	Giannini	D10/33
D713,269 S *	9/2014	Rapko	D10/30
D756,239 S *	5/2016	Delhotal	D10/30

(21) Appl. No.: **29/614,471**

(Continued)

(22) Filed: **Aug. 18, 2017**

OTHER PUBLICATIONS

(30) **Foreign Application Priority Data**

Louis Vuitton Tambour Moon GMTI posted at chinese.ablogtowatch.com Jun. 26, 2017 © 2007-2016 aBlogtoWatch [online][site visited Sep. 24, 2018]. Available from internet: <http://chinese.ablogtowatch.com/louis-vuitton-tambour-moon-gmt/> (Year: 2017).*

Feb. 22, 2017 (FR) 2017-0958

(Continued)

(51) **LOC (12) Cl.** **10-02**

(52) **U.S. Cl.**

Primary Examiner — Sandra S Snapp

USPC **D10/38**

Assistant Examiner — Katherine Glennon

(58) **Field of Classification Search**

(74) *Attorney, Agent, or Firm* — Fross Zelnick Lehrman & Zissu, P.C.; Charles T. J. Weigell, Esq.

USPC D10/1-2, 10, 30-33, 36-39, 98-99,
D10/122-124, 126-128, 132; D11/3;
D14/344; D24/167, 186

(57) **CLAIM**

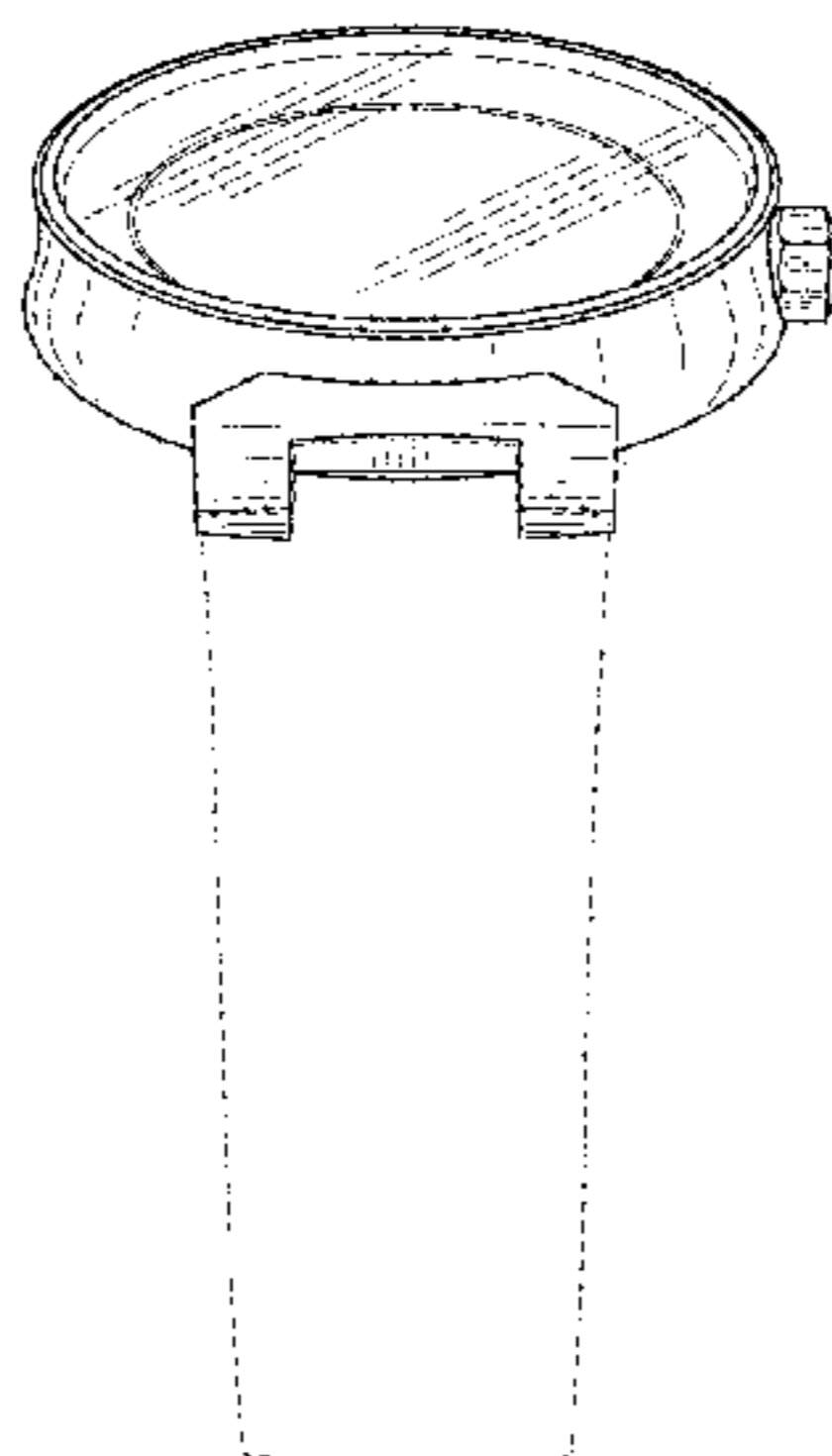
CPC G04B 19/00; G04B 19/04; G04B 19/06;
G04B 19/065; G04B 19/08; G04B 19/085; G04B 19/10; G04B 19/103;
G04B 19/106; G04B 47/042; G04B 47/048; G04B 19/12; G04B 19/18; G04B 19/223; G04B 19/22; G04B 19/283;
G04B 37/00; G04B 37/0008; G04B 37/0058; G04B 37/04; G04B 37/0418; G04B 45/0061; G04B 45/0069; G04B 19/26; G04B 19/264; G04D 3/04; A44C 5/00; A44C 5/0053; G04C 19/00; G04C 19/02; G04C 3/001; G04F 1/00; G04F

The ornamental design for a watch, as shown and described.

DESCRIPTION

FIG. 1 is a perspective view of a watch showing my new design;
FIG. 2 is a front view thereof;
FIG. 3 is a back view thereof;
FIG. 4 is a left side view thereof;
FIG. 5 is a right side view thereof;
FIG. 6 is a top view thereof; and,
FIG. 7 is a bottom view thereof.

(Continued)



The broken line showing of the watch strap forms no part of the claimed design.

1 Claim, 5 Drawing Sheets

(56) **References Cited**

U.S. PATENT DOCUMENTS

D769,737	S	*	10/2016	Voirin	D10/30
D770,306	S	*	11/2016	Voirin	D10/30
D772,728	S	*	11/2016	Nicotra	D10/32
D786,705	S	*	5/2017	Babcock	D10/30
D795,710	S	*	8/2017	Okazaki	D10/30
D811,243	S	*	2/2018	White	D10/39
2013/0021881	A1	*	1/2013	Bertucci	G04B 37/1446 368/282

OTHER PUBLICATIONS

Louis Vuitton from convex to concave | posted at gmtmag.com Jul. 10, 2017 © 2015 GMT Magazine [online][site visited Sep. 24, 2018]. Available from internet: <<https://www.gmtmag.com/?p=24098&lang=en>> (Year: 2017).*

Louis Vuitton New Horizon | posted at revolution.watch Jul. 11, 2017 © 2018, Revolution.[online][site visited Sep. 24, 2018]. Available from internet: <<https://www.revolution.watch/louis-vuittons-new-horizon/>> (Year: 2017).*

* cited by examiner

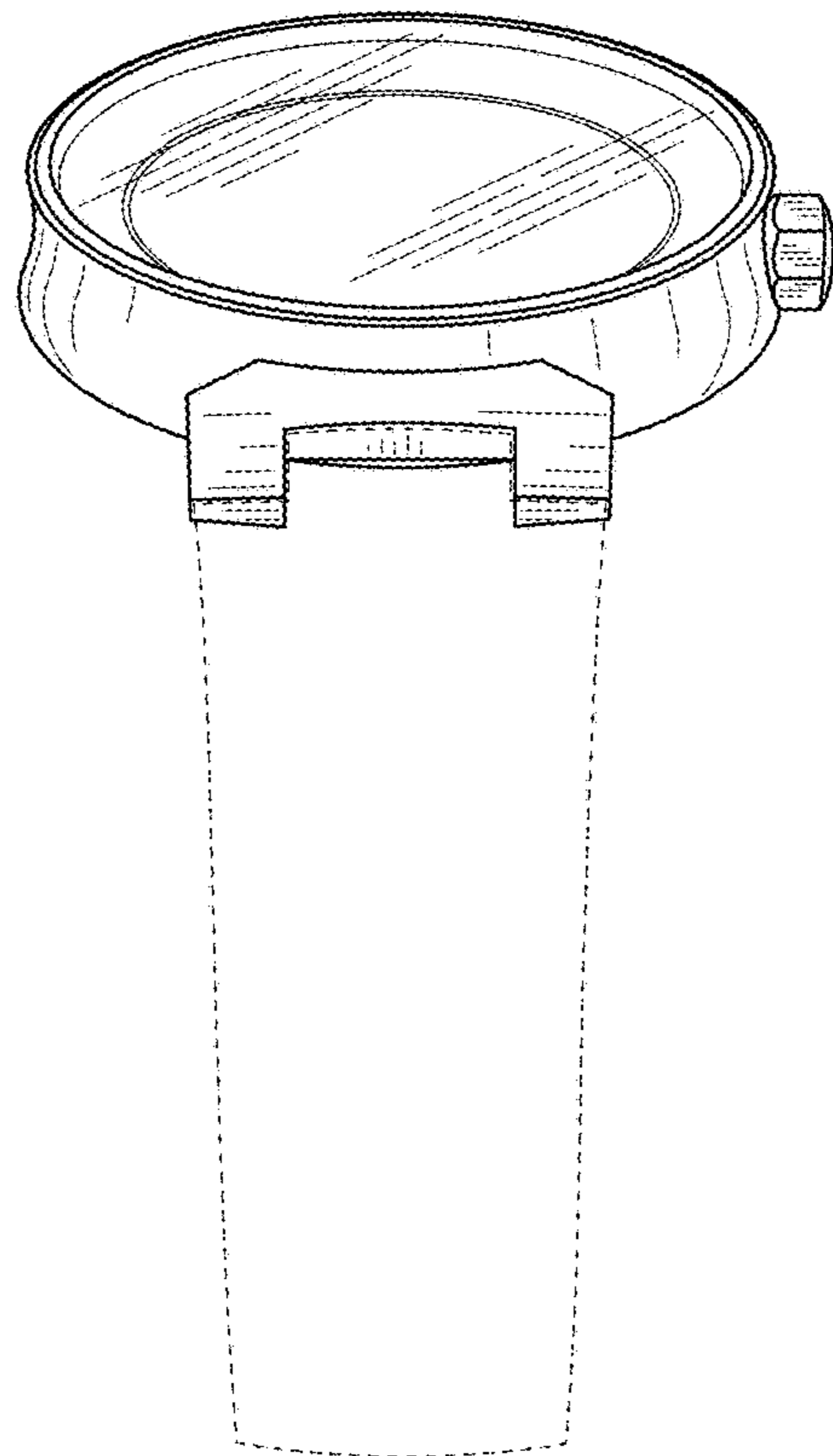


FIG. 1

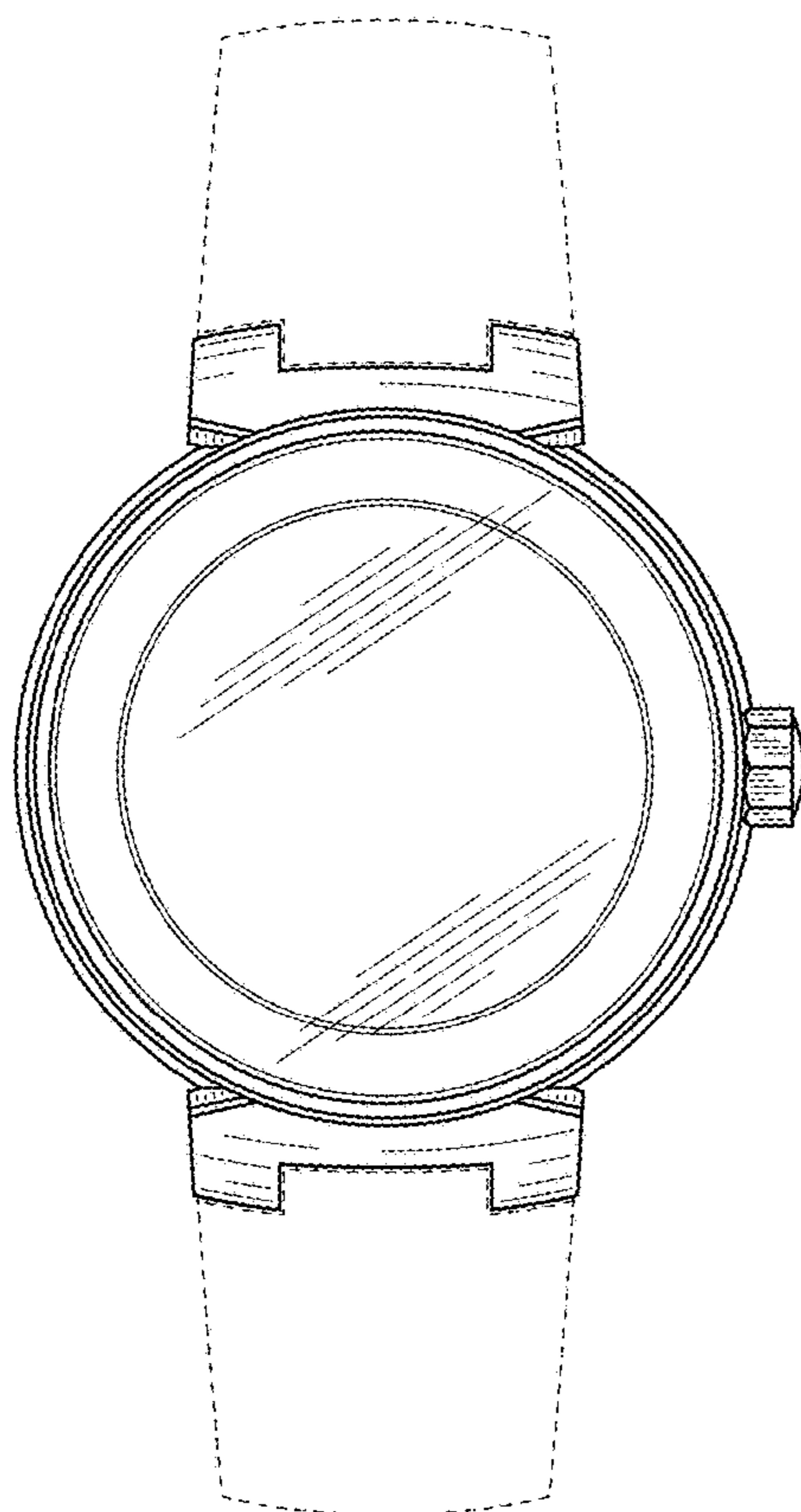


FIG. 2

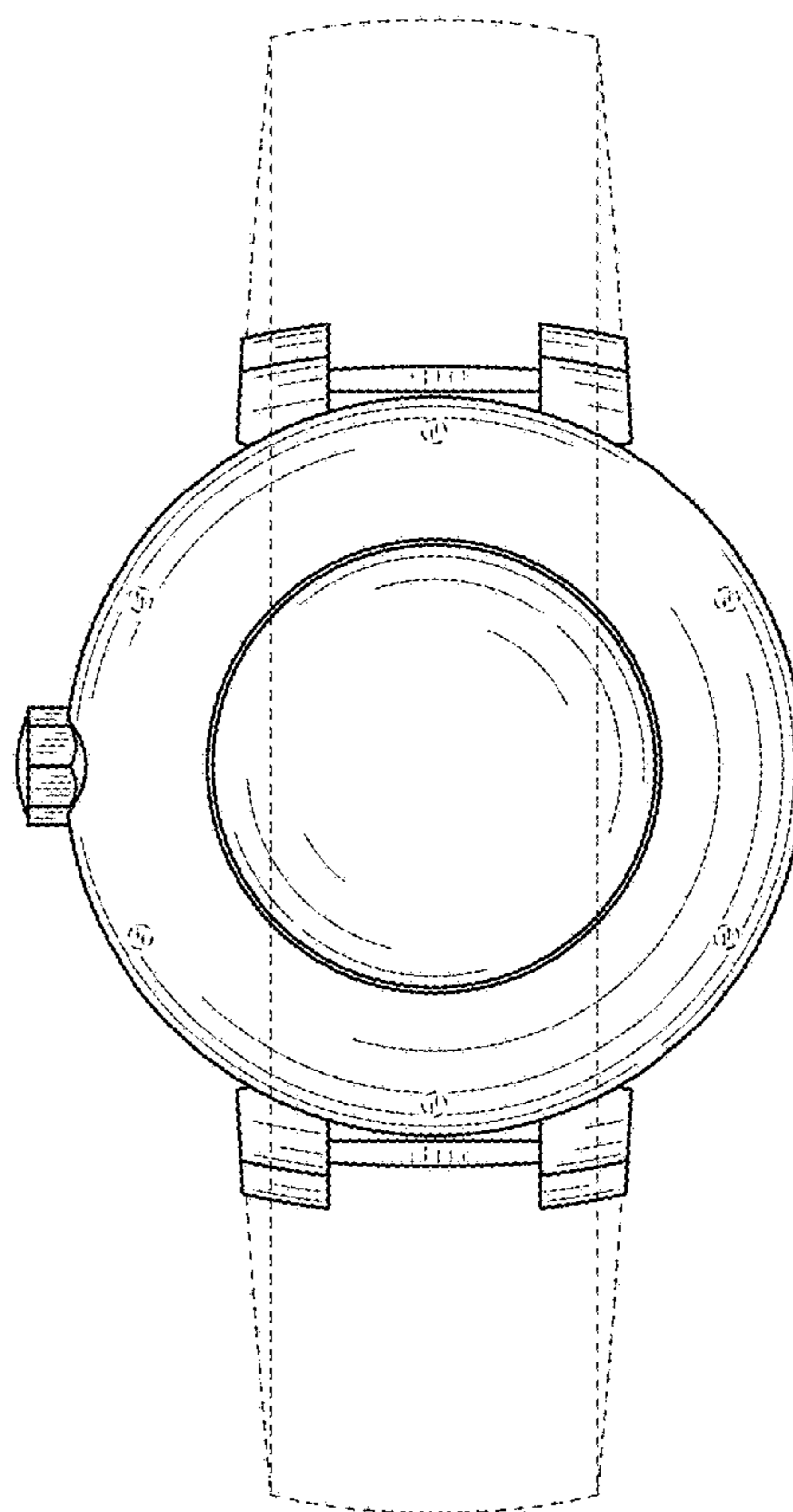


FIG. 3

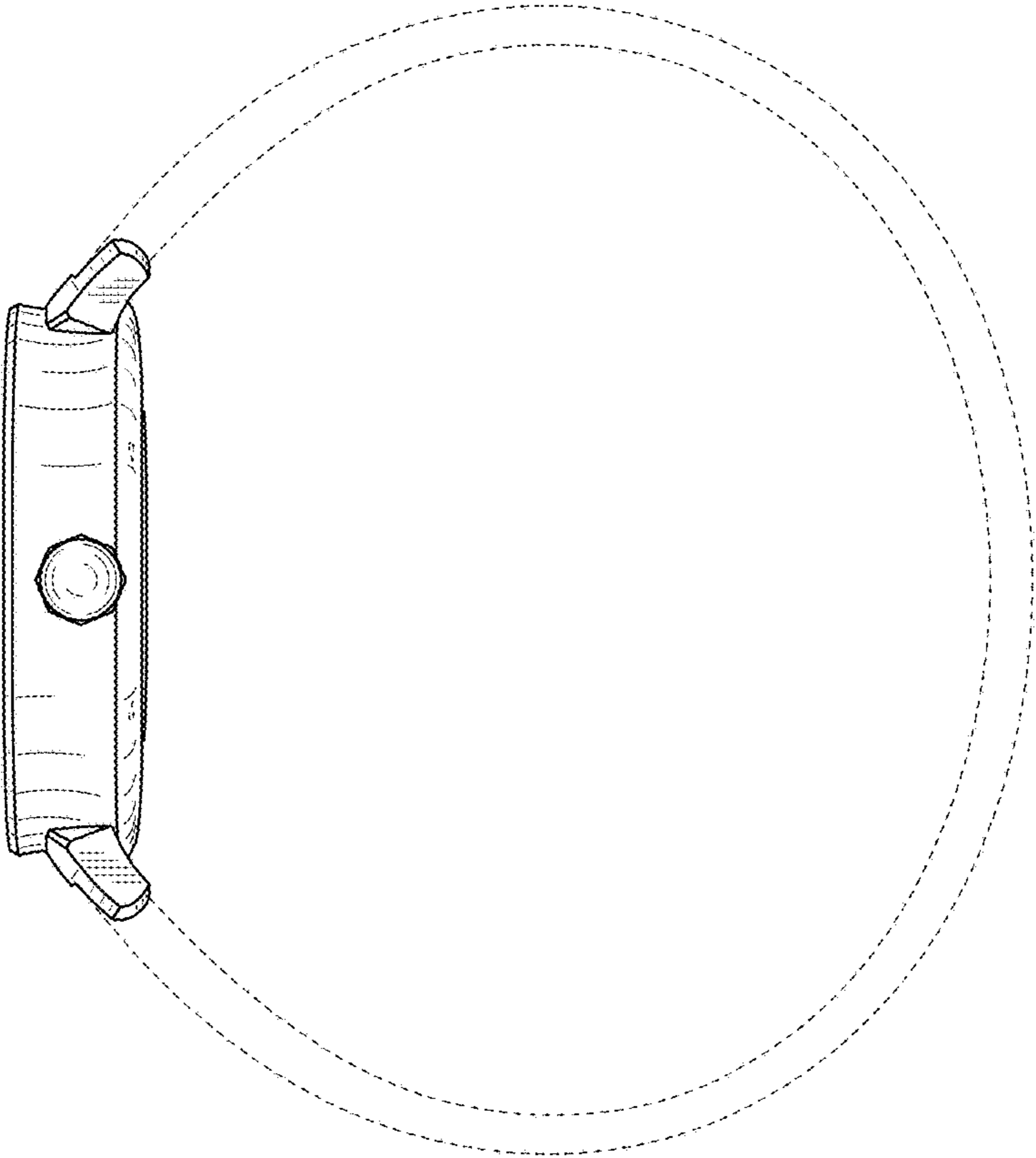


FIG. 4

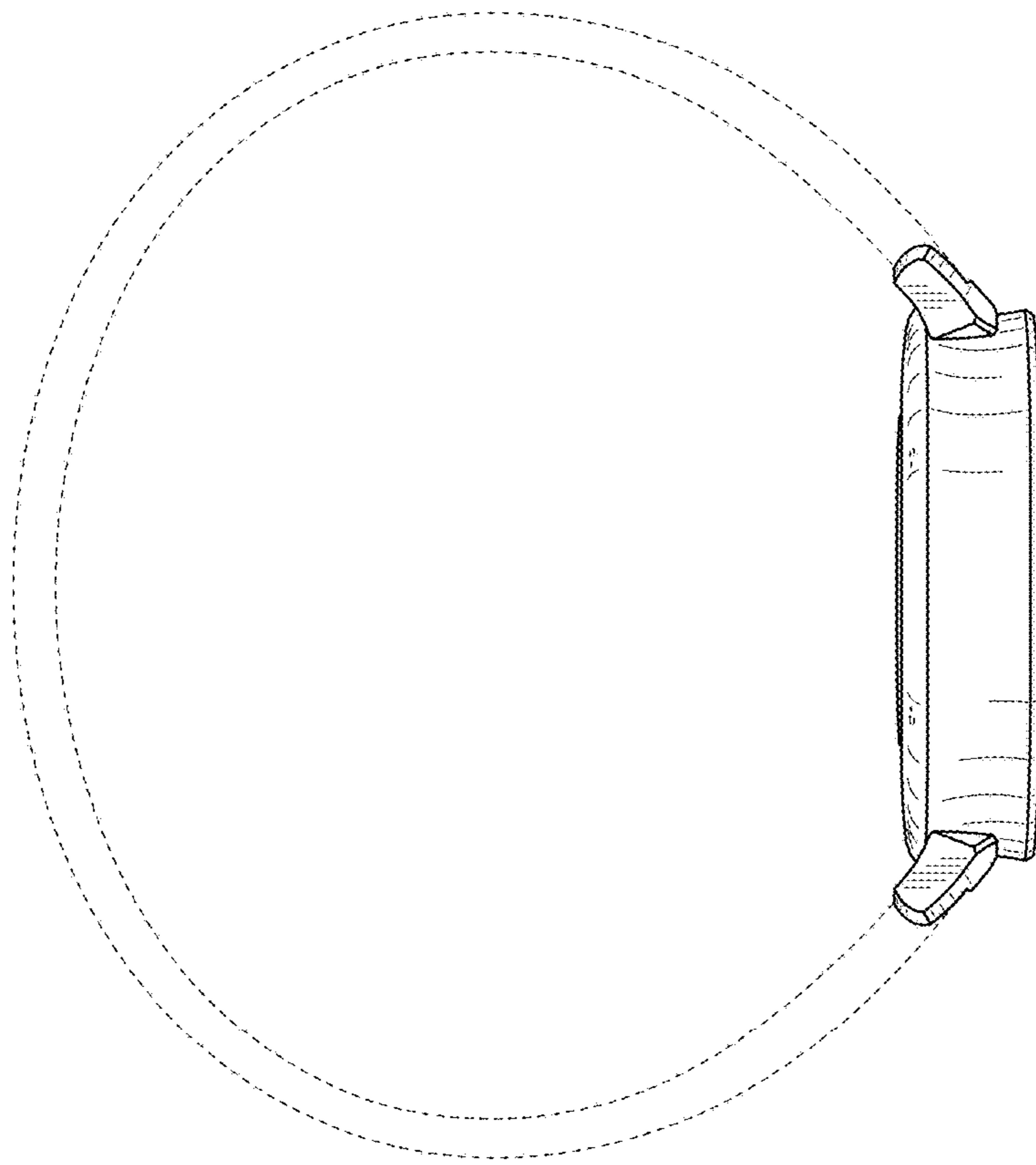


FIG. 5

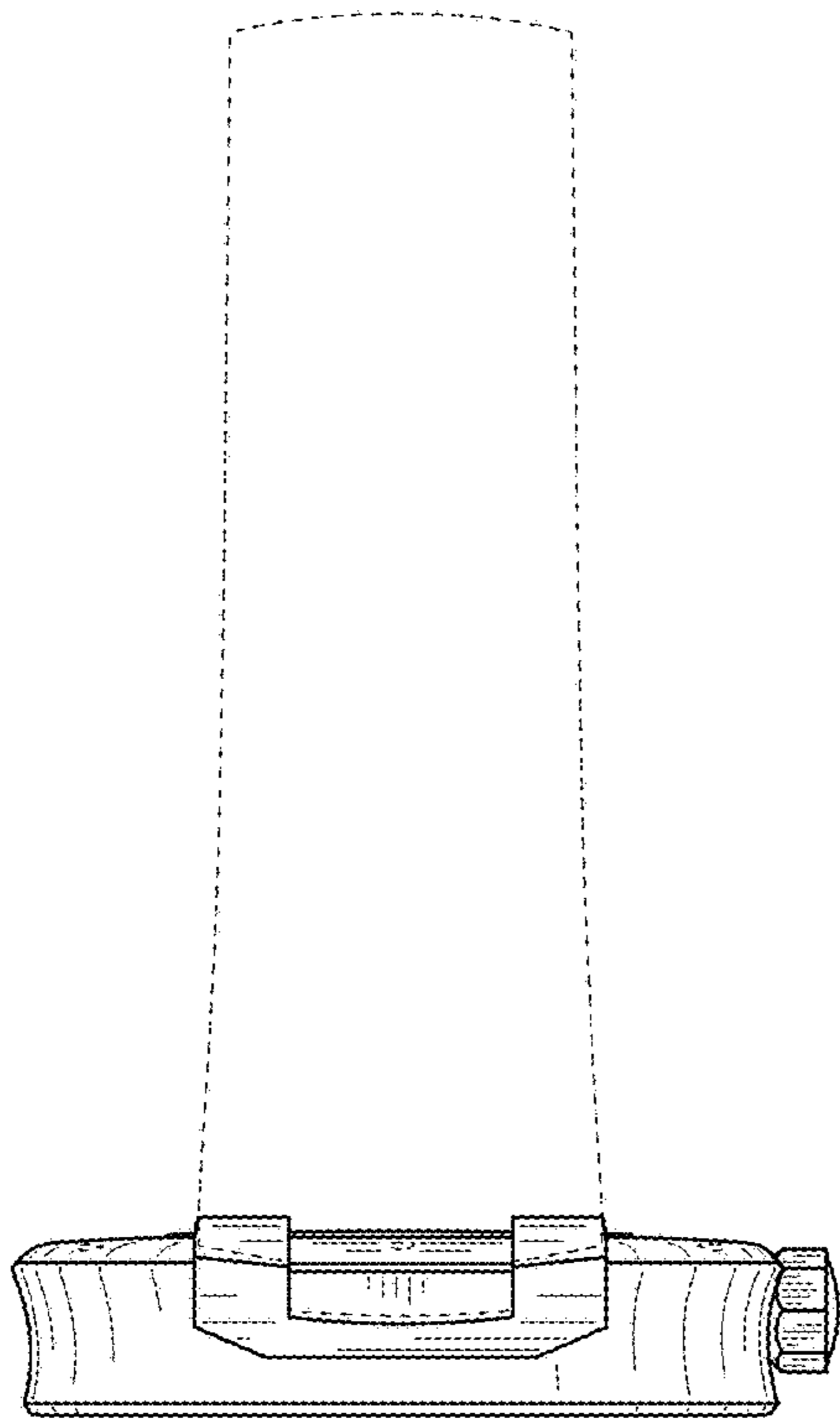


FIG. 6

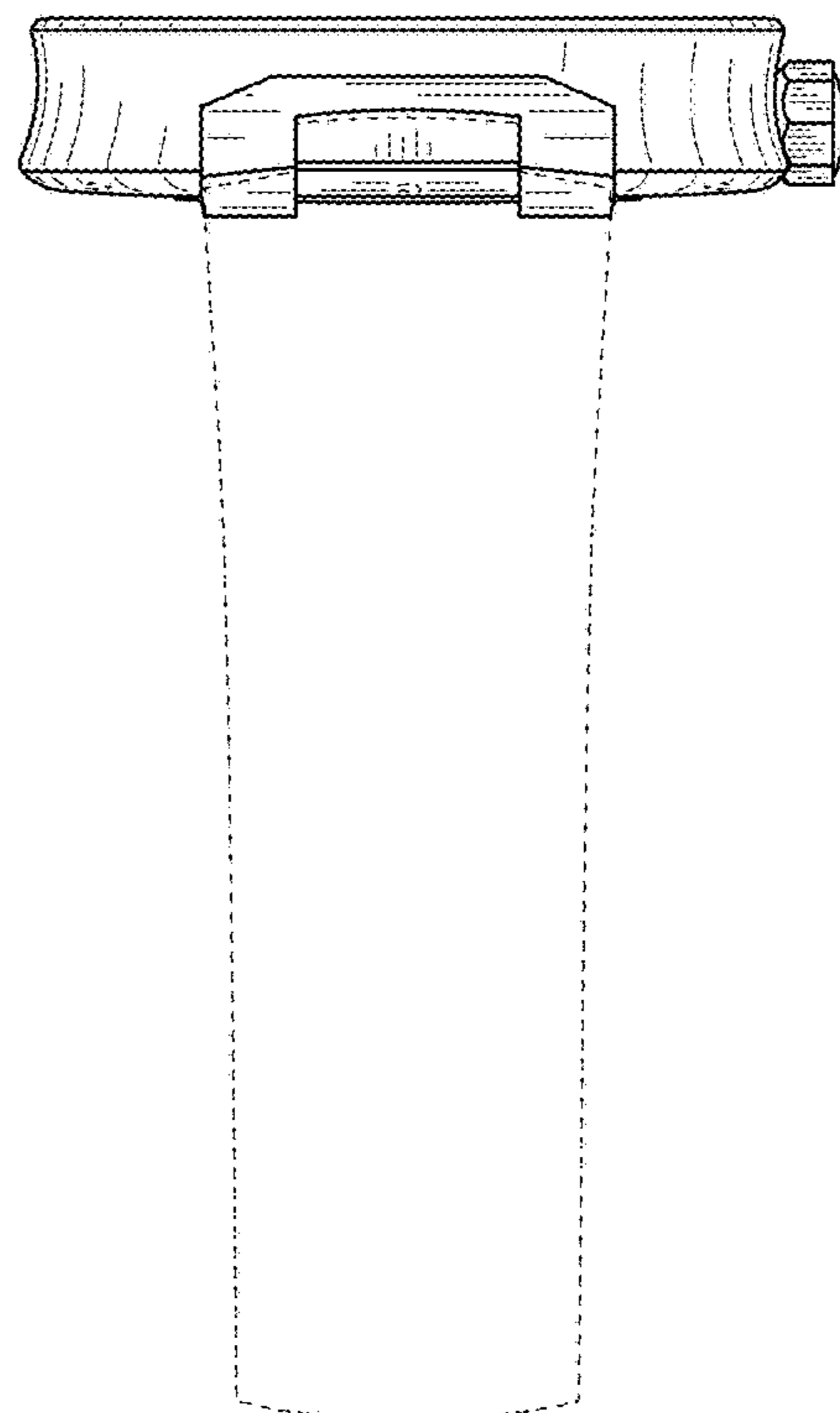


FIG. 7