



US00D856159S

(12) **United States Design Patent** (10) **Patent No.:** **US D856,159 S**  
**Villarreal et al.** (45) **Date of Patent:** **\*\* Aug. 13, 2019**

- (54) **COSMETICS DISPENSER** D634,478 S \* 3/2011 Kolas ..... D28/77
- (71) Applicant: **HCT GROUP HOLDINGS** D693,226 S 11/2013 Paschoal et al.
- LIMITED**, Central (CN) D727,172 S 4/2015 Rosella
- (72) Inventors: **Armando Villarreal**, Los Angeles, CA D746,513 S \* 12/2015 Monical ..... D28/7
- (US); **Jeremy Wilson**, Los Angeles, CA 2005/0047848 A1\* 3/2005 Carraher ..... A45D 40/02
- (US); **Adrian C. Apodaca**, Daly City, 401/266
- CA (US) 2006/0291948 A1 12/2006 Holloway
- (73) Assignee: **HCT GROUP HOLDINGS** 2007/0098479 A1 5/2007 Kim
- LIMITED**, Hong Kong (HK) 2007/0201939 A1\* 8/2007 Wong ..... A46B 11/0041
- 401/134
- 2011/0095052 A1 4/2011 Zhang
- 2012/0070220 A1 3/2012 Ruiz, Sr. et al.
- (Continued)

(\*\*) Term: **15 Years**

(21) Appl. No.: **29/629,392**

(22) Filed: **Dec. 13, 2017**

**Related U.S. Application Data**

(62) Division of application No. 29/571,971, filed on Jul. 22, 2016, now Pat. No. Des. 808,822.

(51) **LOC (12) Cl.** ..... **09-01**

(52) **U.S. Cl.**  
USPC ..... **D9/724**

(58) **Field of Classification Search**  
USPC ..... D9/442, 695-699, 702-714, 723-729;  
D24/199; D28/7; 132/317, 318, 320;  
222/95, 207, 212, 335  
CPC ..... A45D 34/00; A45D 40/00; B65D 81/3272  
See application file for complete search history.

(56) **References Cited**

**U.S. PATENT DOCUMENTS**

- D364,669 S \* 11/1995 Winner ..... D22/117
- D397,517 S \* 8/1998 Choyee ..... D28/59
- D416,356 S 11/1999 Denham et al.
- D423,922 S \* 5/2000 Ohchi ..... D9/503
- D554,291 S \* 10/2007 Darnell ..... D19/163
- D565,798 S \* 4/2008 Ivanova ..... D28/89
- D567,669 S 4/2008 Py et al.

**FOREIGN PATENT DOCUMENTS**

- GB 2404370 A 2/2005
- WO 0108529 A2 2/2001
- WO 2011083427 A2 7/2011

*Primary Examiner* — Derrick E Holland

*Assistant Examiner* — Janice Patyk

(74) *Attorney, Agent, or Firm* — Seager, Tufte & Wickhem LLP

(57) **CLAIM**

The ornamental design for a cosmetics dispenser, as shown and described.

**DESCRIPTION**

FIG. 1 is a perspective view of a cosmetics dispenser, showing our new design;

FIG. 2 is a front view thereof, the rear, left, and right views being the same;

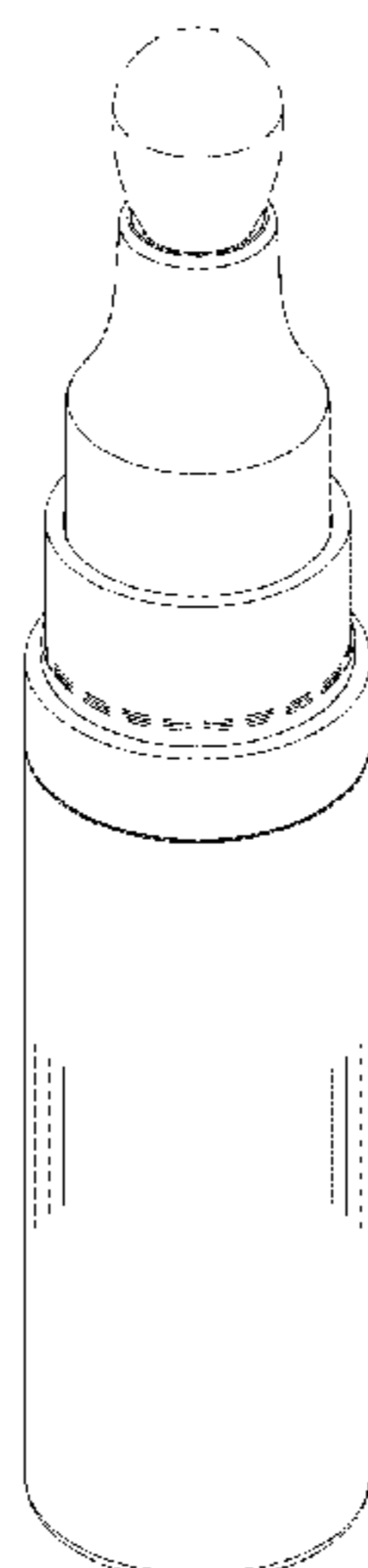
FIG. 3 is a top view thereof, shown in enlarged scale;

FIG. 4 is a bottom view thereof, shown in enlarged scale; and,

FIG. 5 is a perspective view thereof, shown with a cap thereon.

The broken lines in the Figures illustrate the portions of the design that form no part of the claimed design.

**1 Claim, 5 Drawing Sheets**



(56)

**References Cited**

U.S. PATENT DOCUMENTS

2012/0266907 A1\* 10/2012 Chan ..... A45D 34/042  
132/218  
2014/0328611 A1\* 11/2014 Ishida ..... A45D 34/04  
401/184  
2015/0003885 A1 1/2015 Wade et al.  
2016/0058155 A1\* 3/2016 Maurin ..... A45D 34/04  
222/505

\* cited by examiner

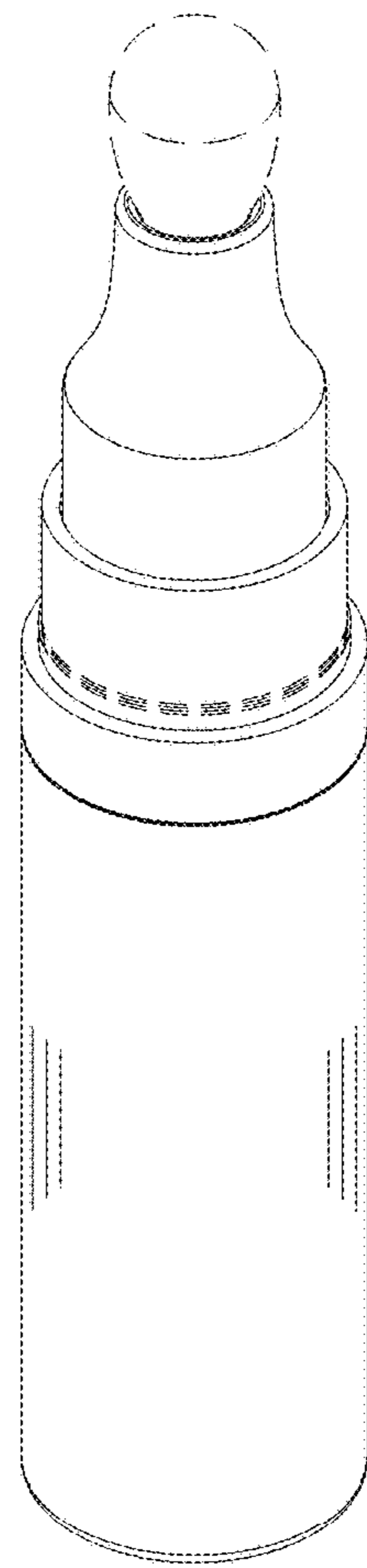


FIG. 1

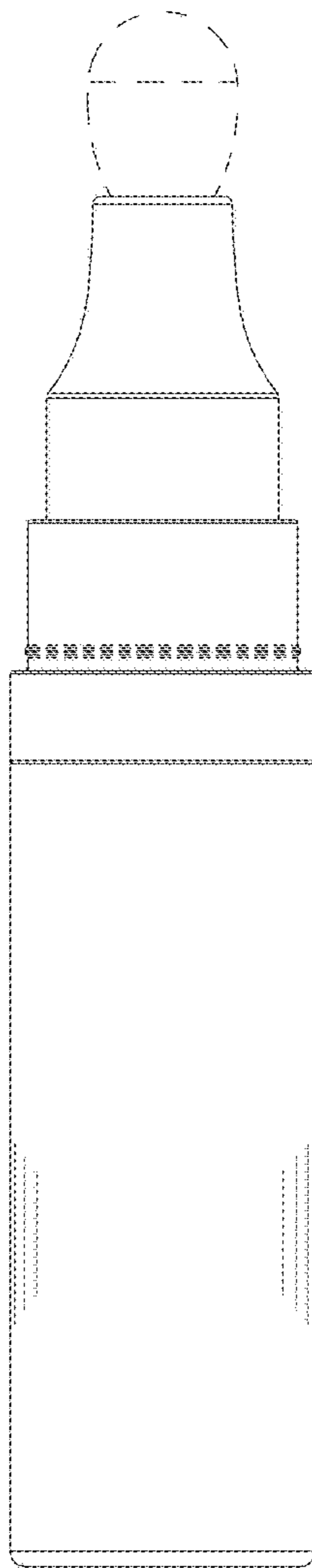


FIG. 2

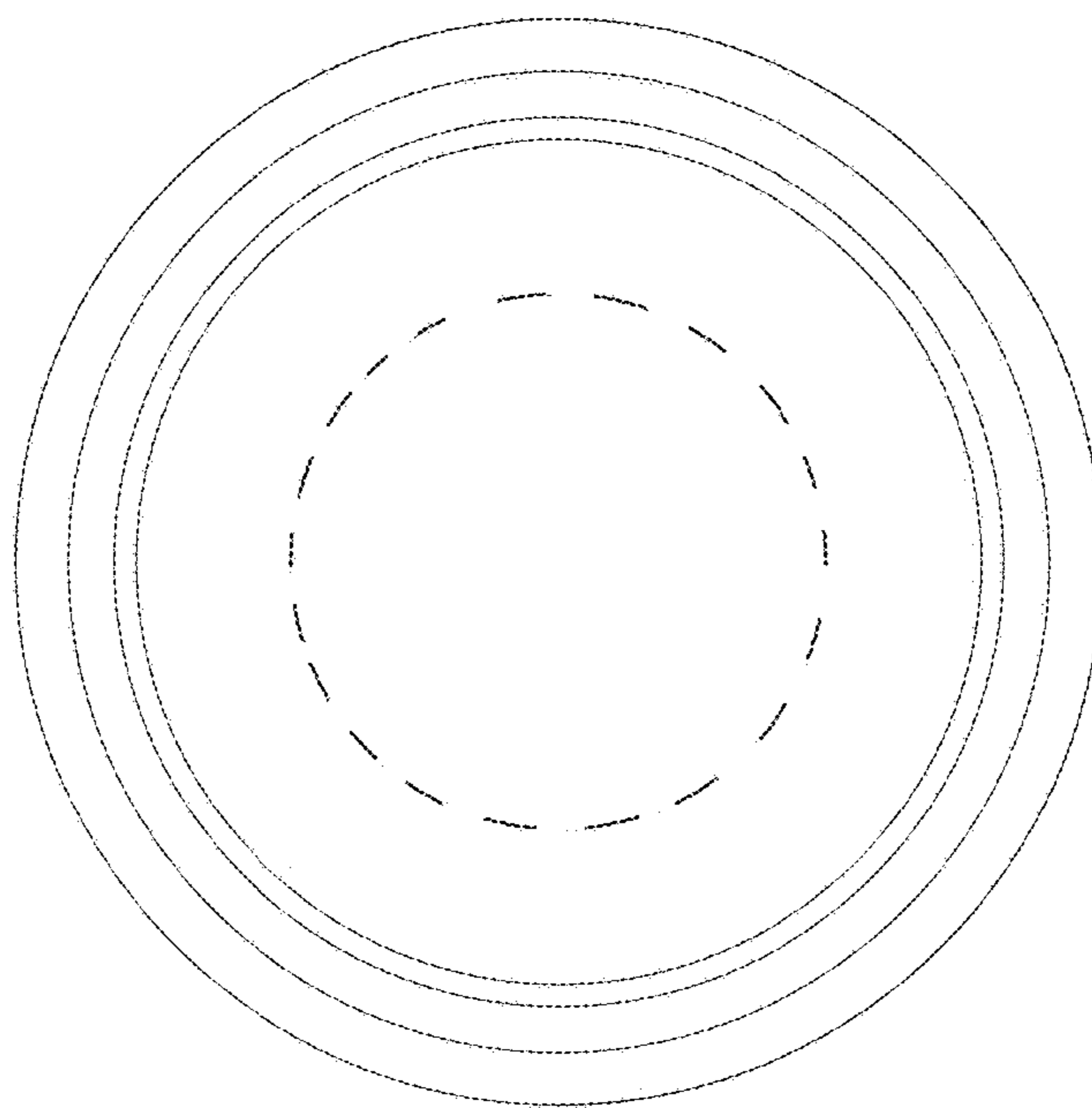


FIG. 3

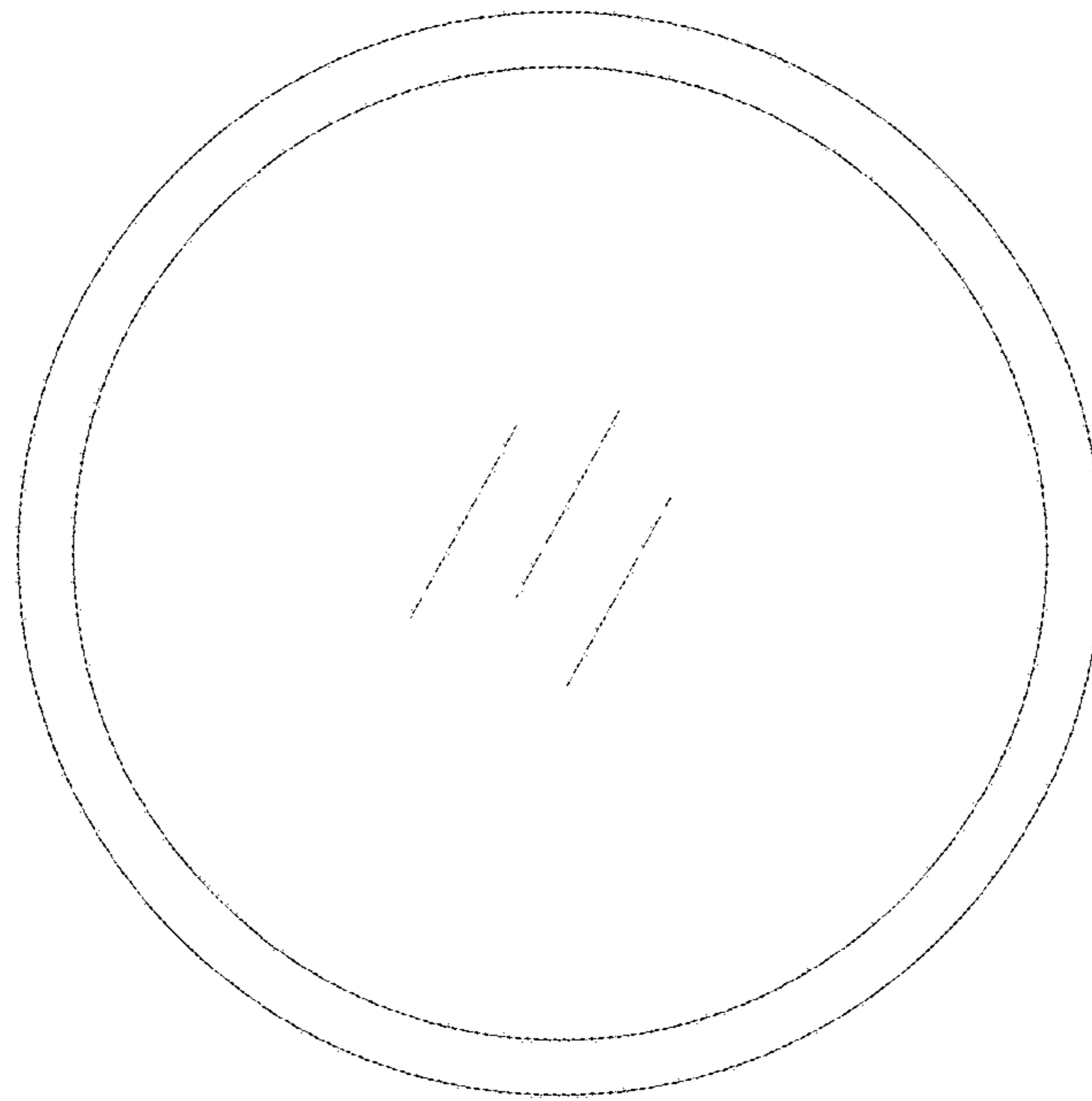


FIG. 4

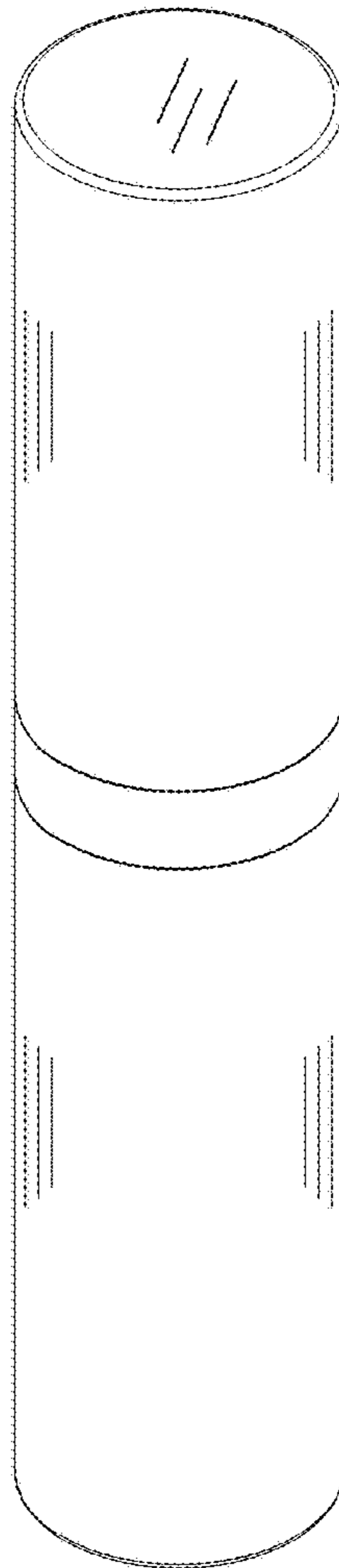


FIG. 5