



US00D856149S

(12) **United States Design Patent**
Orofino

(10) **Patent No.:** **US D856,149 S**

(45) **Date of Patent:** **** Aug. 13, 2019**

(54) **PACKAGE FOR COSMETIC PRODUCTS**

(71) Applicant: **OROFINO PHARMACEUTICALS GROUP S.R.L.**, Rome (IT)

(72) Inventor: **Ernesto Orofino**, Rome (IT)

(73) Assignee: **OROFINO PHARMACEUTICALS GROUP S.R.L.**, Rome (IT)

(**) Term: **15 Years**

(21) Appl. No.: **35/504,468**

(22) Filed: **Aug. 10, 2017**

(80) **Hague Agreement Data**

Int. Filing Date: **Aug. 10, 2017**

Int. Reg. No.: **DM/097588**

Int. Reg. Date: **Aug. 10, 2017**

Int. Reg. Pub. Date: **Feb. 16, 2018**

(51) **LOC (12) Cl.** **09-01**

(52) **U.S. Cl.**

USPC **D9/529; D9/651**

(58) **Field of Classification Search**

USPC D9/502, 504, 506, 519, 520, 522, 523,
D9/526, 529, 530, 549, 553, 556, 558,
D9/559, 560, 563, 564, 569, 571, 574,
D9/682, 686, 687, 689, 719

CPC B65D 1/00; B65D 1/02; B65D 1/0223;
B65D 1/0261; B65D 1/40; B65D 1/42;
B65D 1/44; B65D 23/00; B65D 23/102;
B65D 81/00; B65D 2501/00; B65D
2501/0009; B65D 2501/0018; B65D
2501/0036

See application file for complete search history.

(56) **References Cited**

U.S. PATENT DOCUMENTS

D98,958 S * 3/1936 Piazzoli D9/573
4,832,220 A * 5/1989 Quenessen B65D 41/0471
215/331

D306,694 S * 3/1990 Beier-Rosetti D9/529
D308,939 S * 7/1990 Desgrippes D9/529
D399,426 S * 10/1998 Jivago D9/651
D432,407 S * 10/2000 Lee D9/529
D471,467 S * 3/2003 Kokubo D9/566
D477,227 S * 7/2003 Goswell D9/529
D573,026 S * 7/2008 Tsai D9/435
D597,409 S * 8/2009 Ruybal D9/529
D656,033 S * 3/2012 Servaire D9/451
D659,002 S * 5/2012 Jebb D9/449
D659,548 S * 5/2012 de France D9/694
D698,259 S * 1/2014 Ngjelo D9/546
D708,790 S * 7/2014 Schlatter D28/89
D733,563 S * 7/2015 Oberlender D9/519

(Continued)

Primary Examiner — Melanie H Tung

Assistant Examiner — Bao-Yen T Nguyen

(74) *Attorney, Agent, or Firm* — Thomas|Horstemeyer,
LLP

(57) **CLAIM**

The ornamental design for a package for cosmetic products,
as shown and described.

DESCRIPTION

1.1 is a perspective view of a package for cosmetic products,
showing my new design.

1.2 is a side view thereof;

1.3 is a side view thereof, from a different side than **1.2**;

1.4 is another side view thereof, from a different side than
1.2 and **1.3**;

1.5 is another side view thereof, from a different side than
1.2, **1.3**, and **1.4**;

1.6 is a top view thereof;

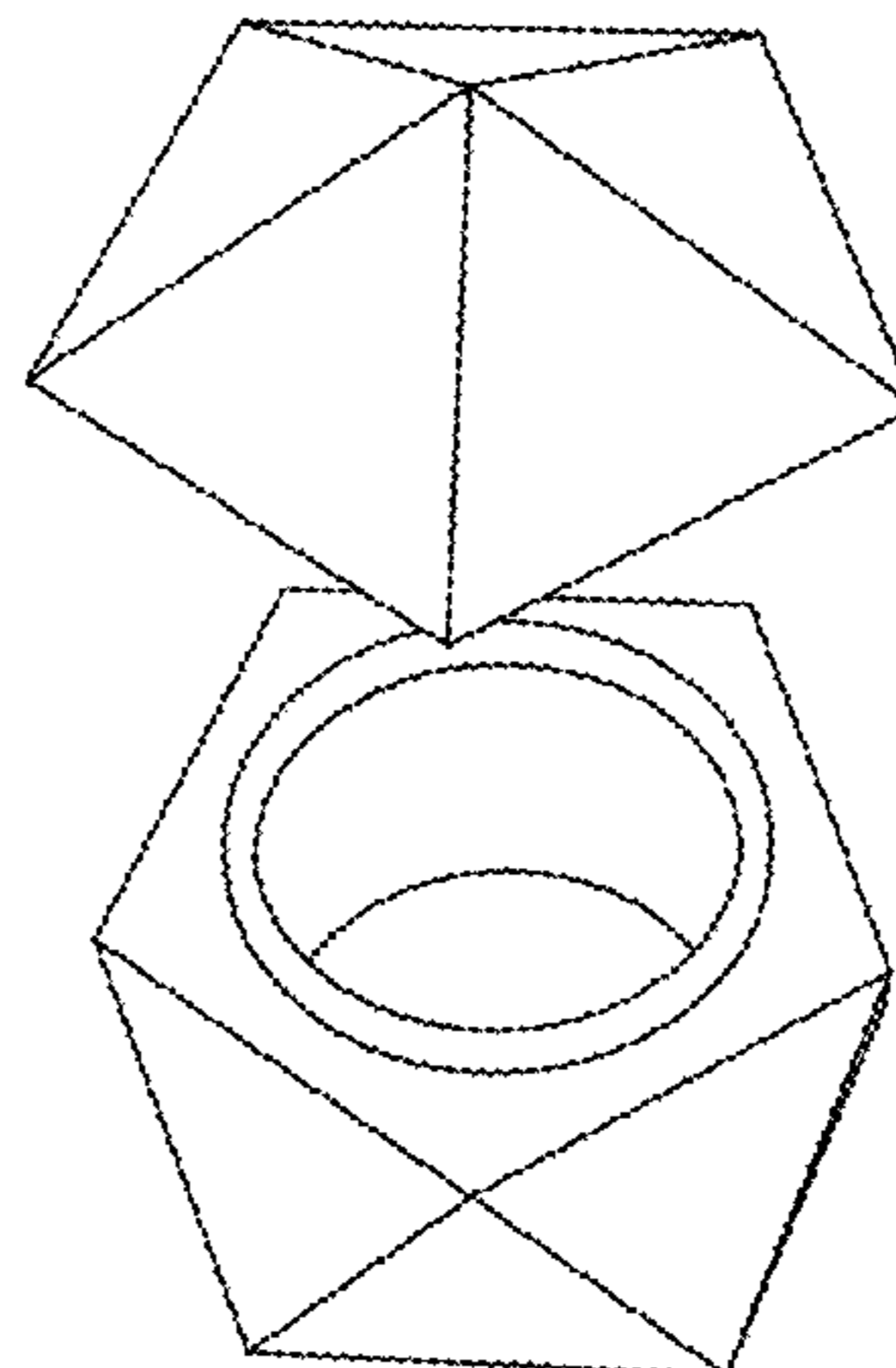
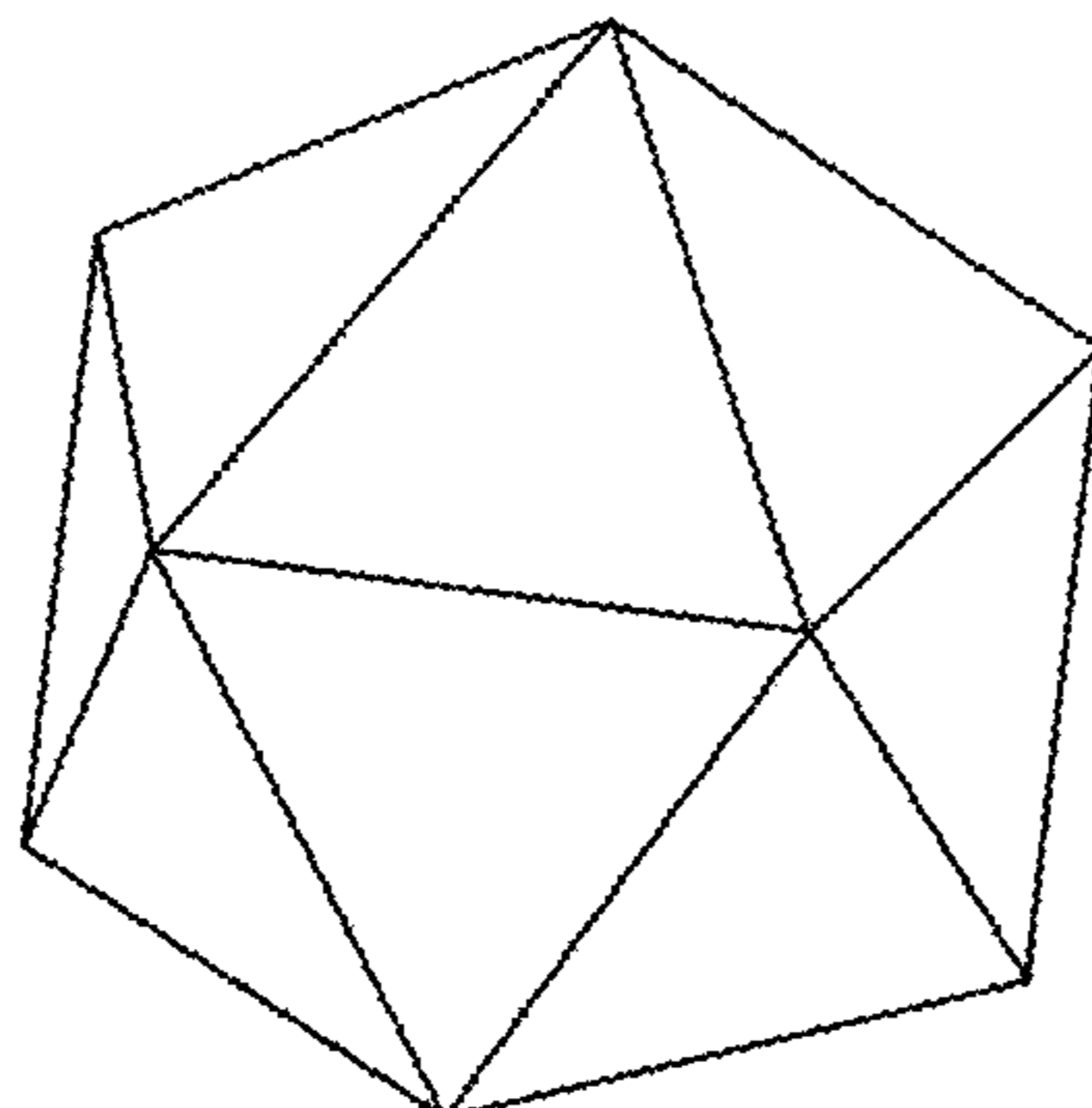
1.7 is a bottom view thereof;

1.8 is a perspective view of the package for cosmetic
products, shown in an open configuration;

1.9 is a side view of the package for cosmetic products in an
open, exploded configuration; and

1.10 is a cross-sectional side view of the package for
cosmetic products in an open, exploded configuration.

1 Claim, 10 Drawing Sheets



(56)

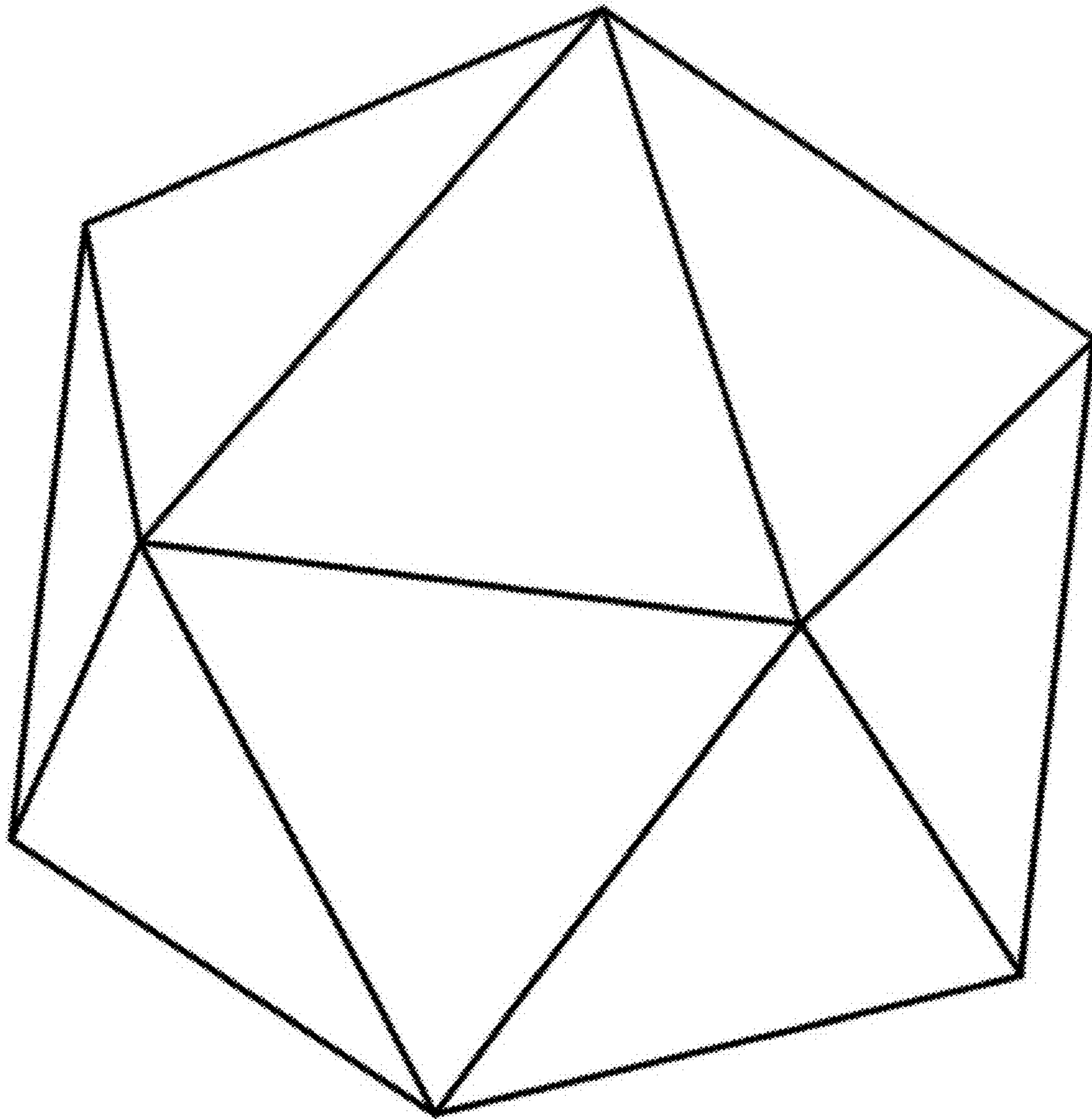
References Cited

U.S. PATENT DOCUMENTS

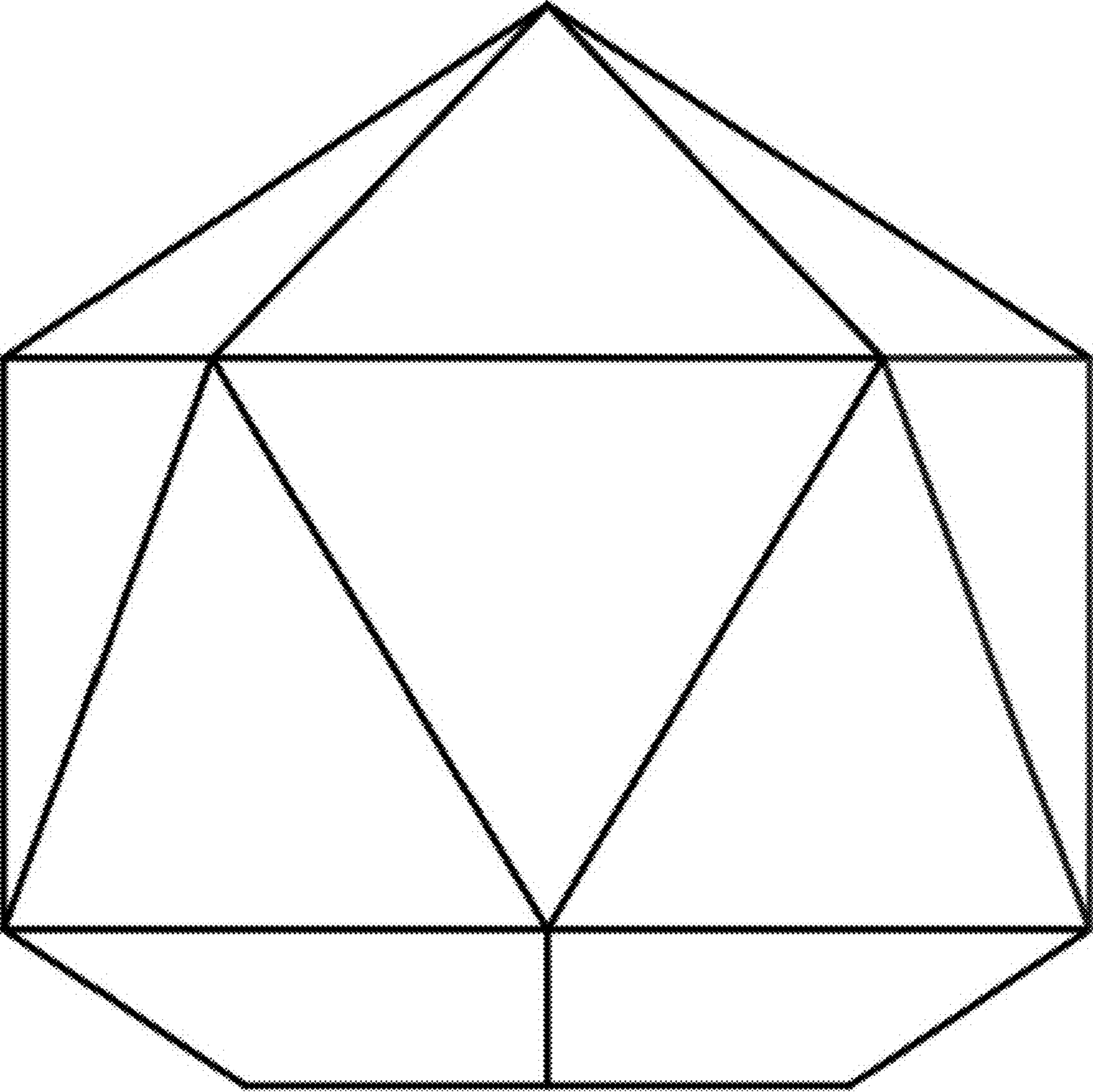
D735,415	S	*	7/2015	Thompson	D28/83
D740,660	S	*	10/2015	Hughes	D9/435
D746,143	S	*	12/2015	Yamamoto	D9/529
D754,545	S	*	4/2016	Sezanayev	D9/445
D756,037	S	*	5/2016	Schlatter	D28/85
D774,397	S	*	12/2016	Tamura	D9/432
D778,170	S	*	2/2017	Kim	D9/529
D778,503	S	*	2/2017	Teller	D28/85
D791,586	S	*	7/2017	Bois	D9/529
D800,967	S	*	10/2017	Kim	D28/85
D802,428	S	*	11/2017	Staab	D9/522
D803,691	S	*	11/2017	Staab	D9/522
D810,580	S	*	2/2018	Staab	D9/682
D813,041	S	*	3/2018	Staab	D9/522
D815,950	S	*	4/2018	Zhang	D9/529
D822,488	S	*	7/2018	Staab	D9/455

* cited by examiner

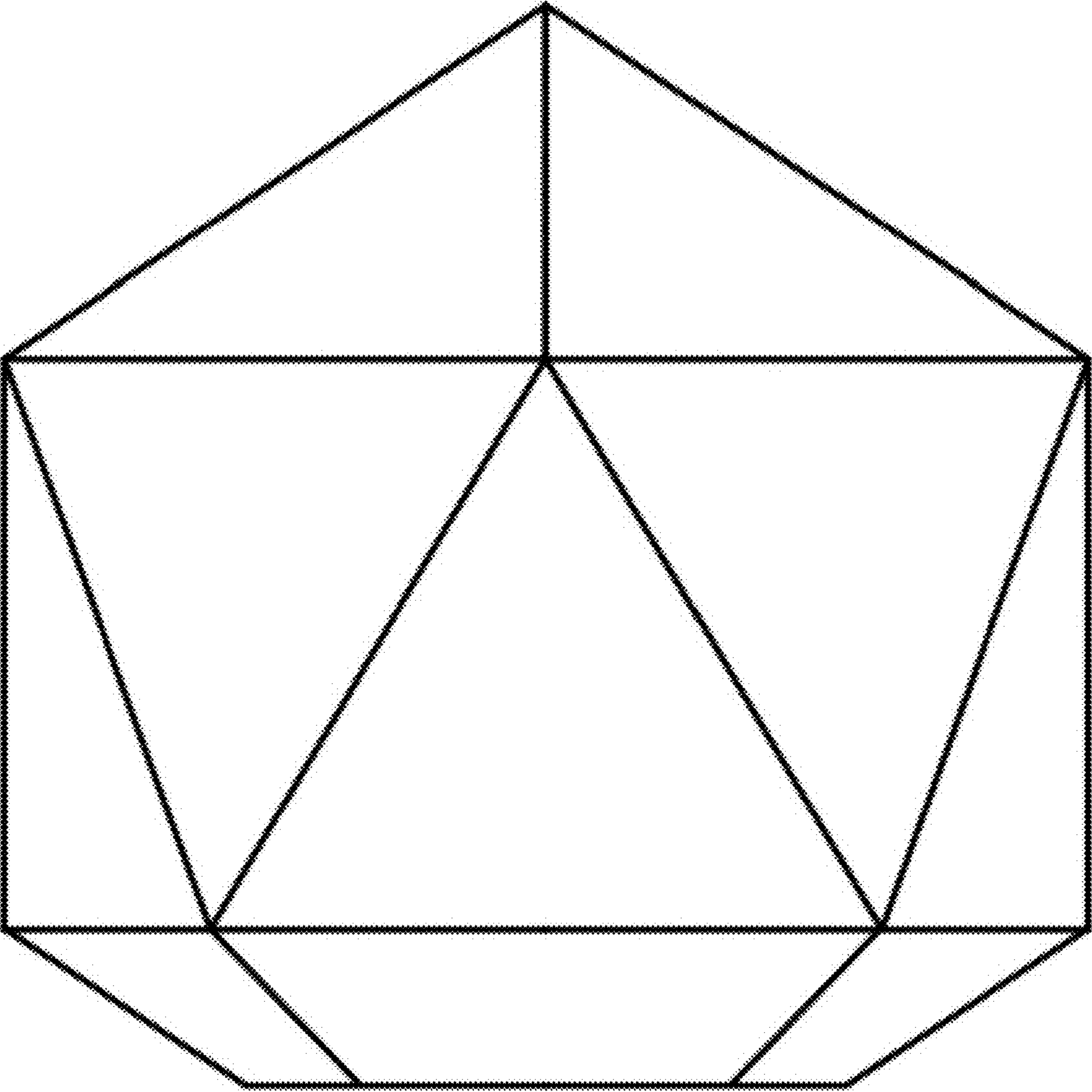
1.1



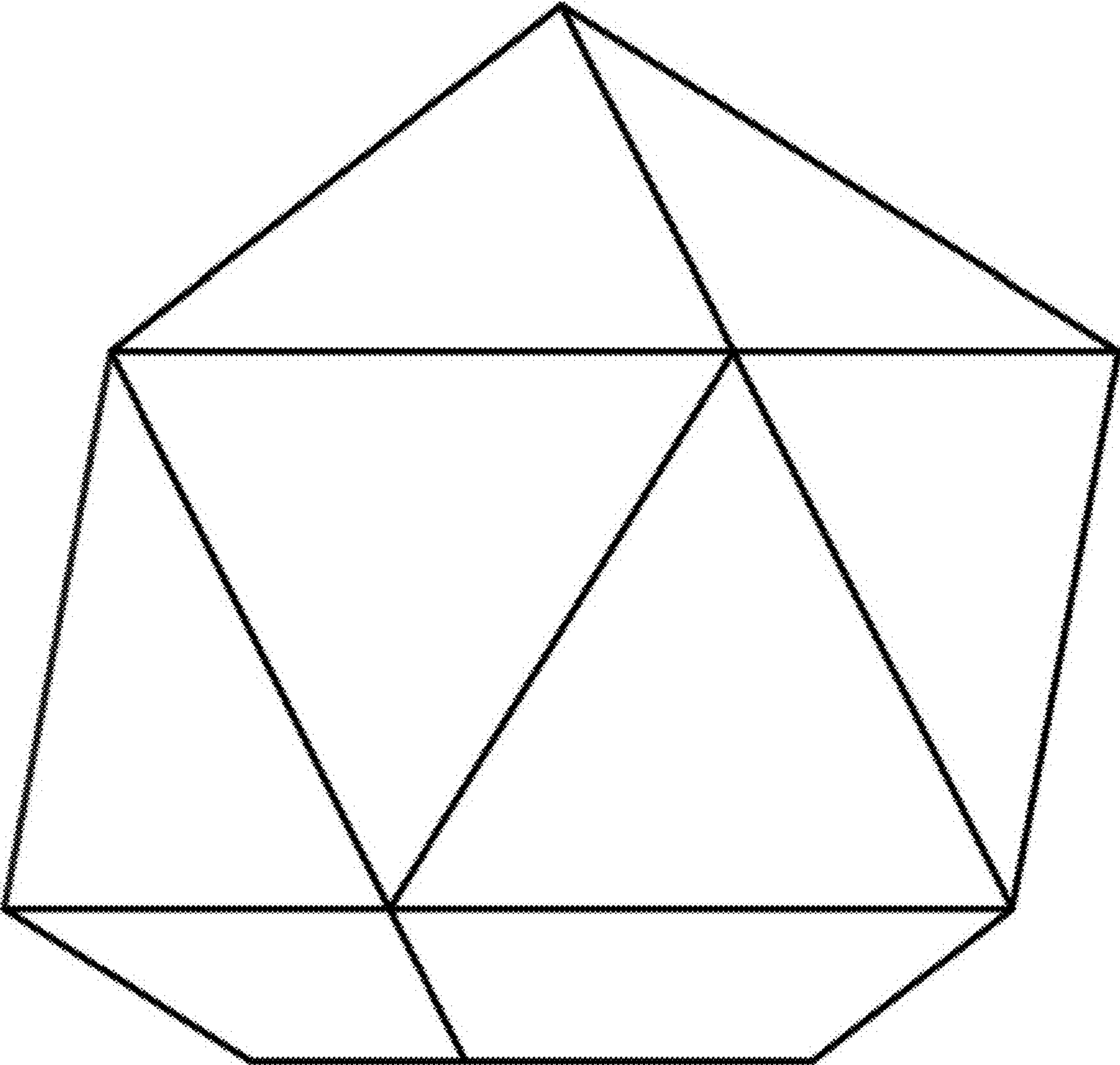
1.2



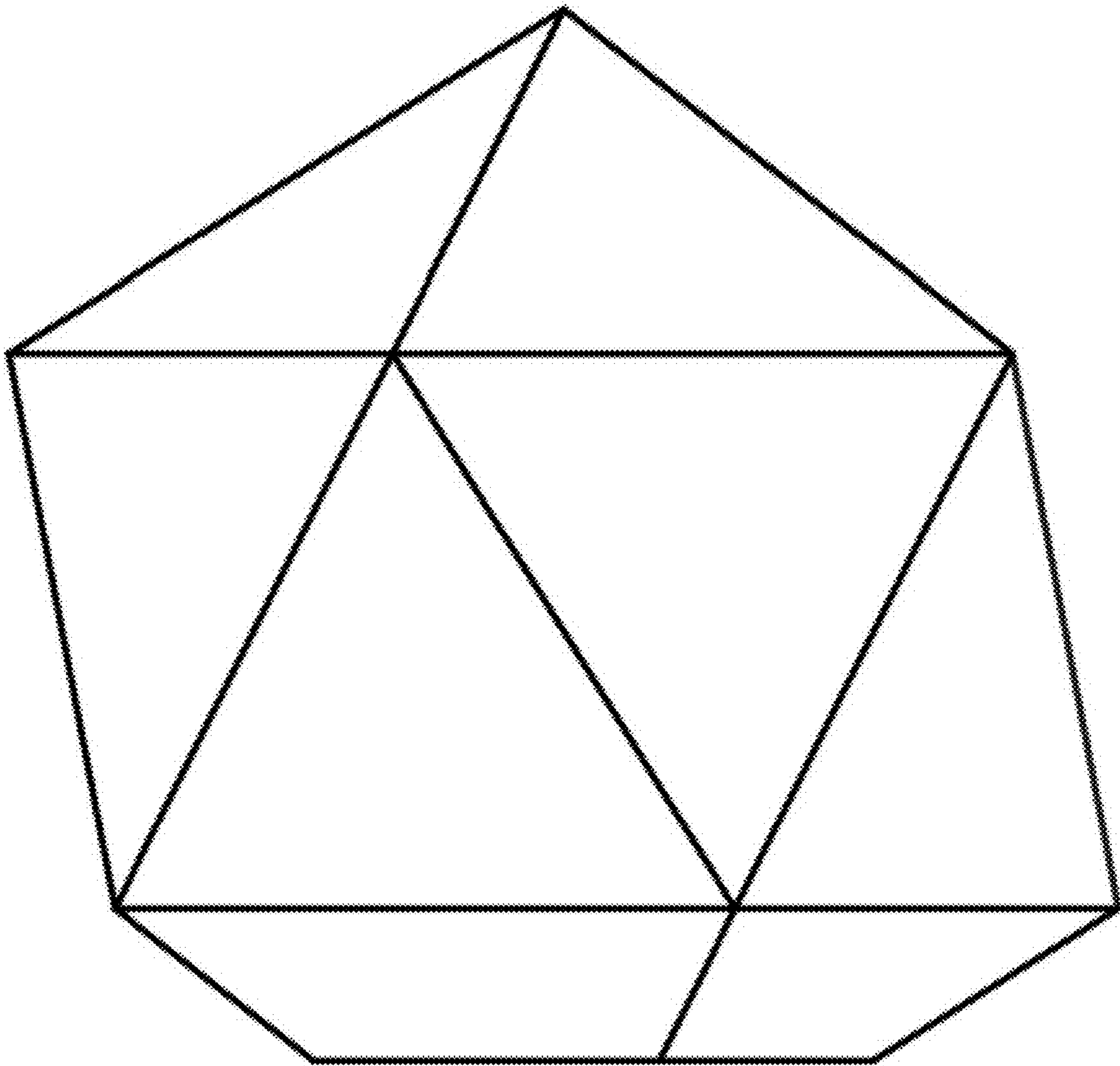
1.3



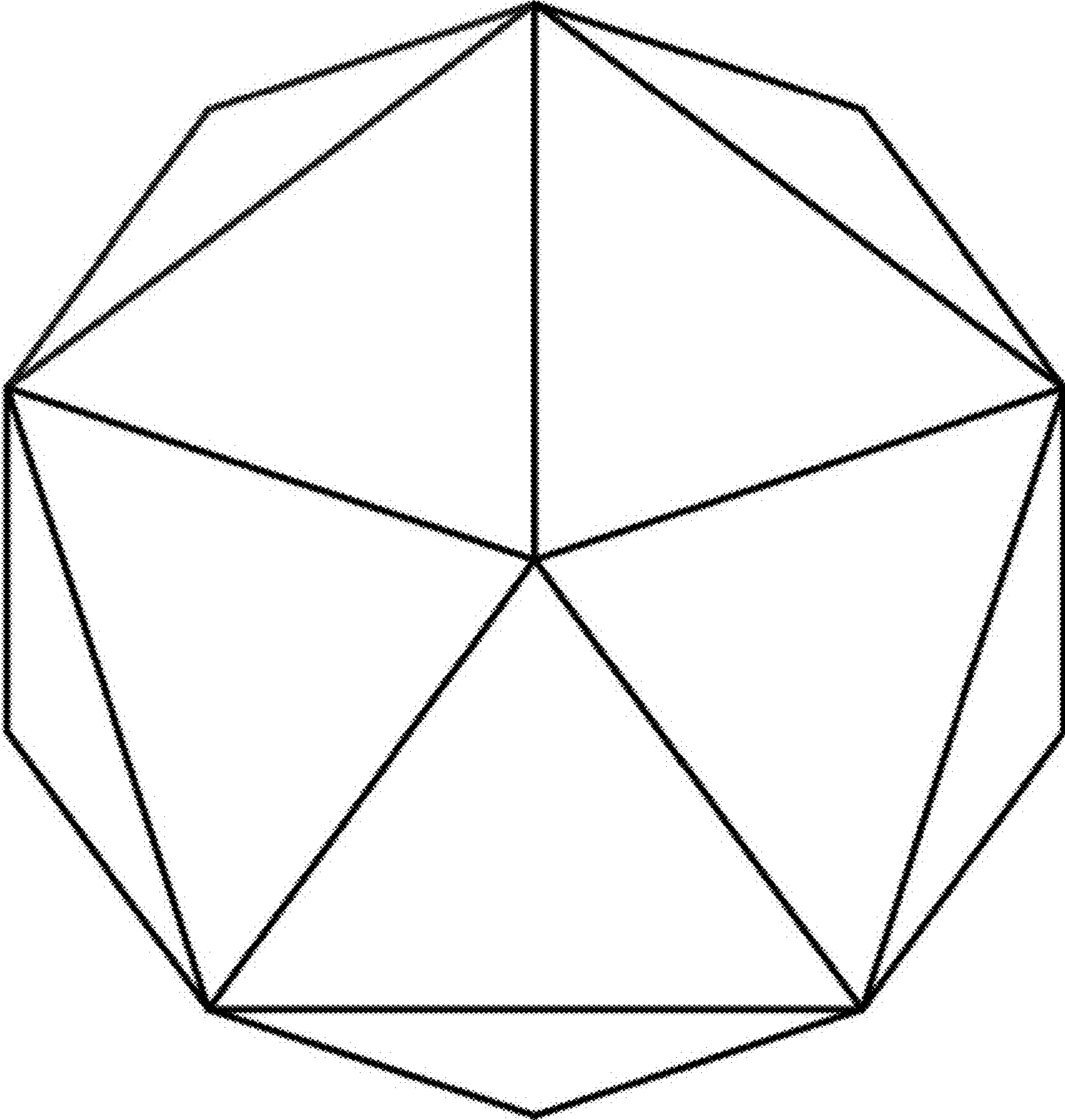
1.4



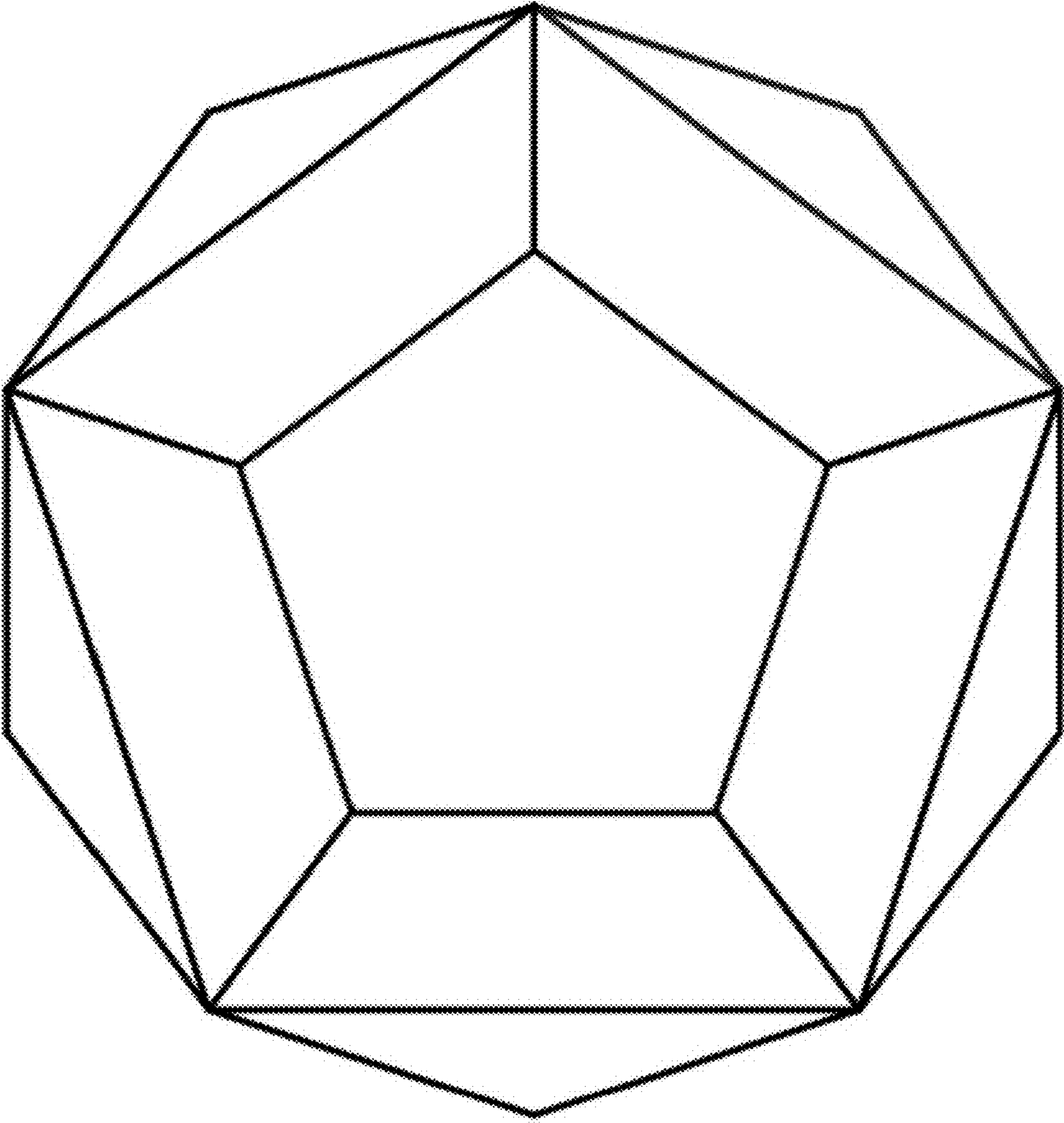
1.5



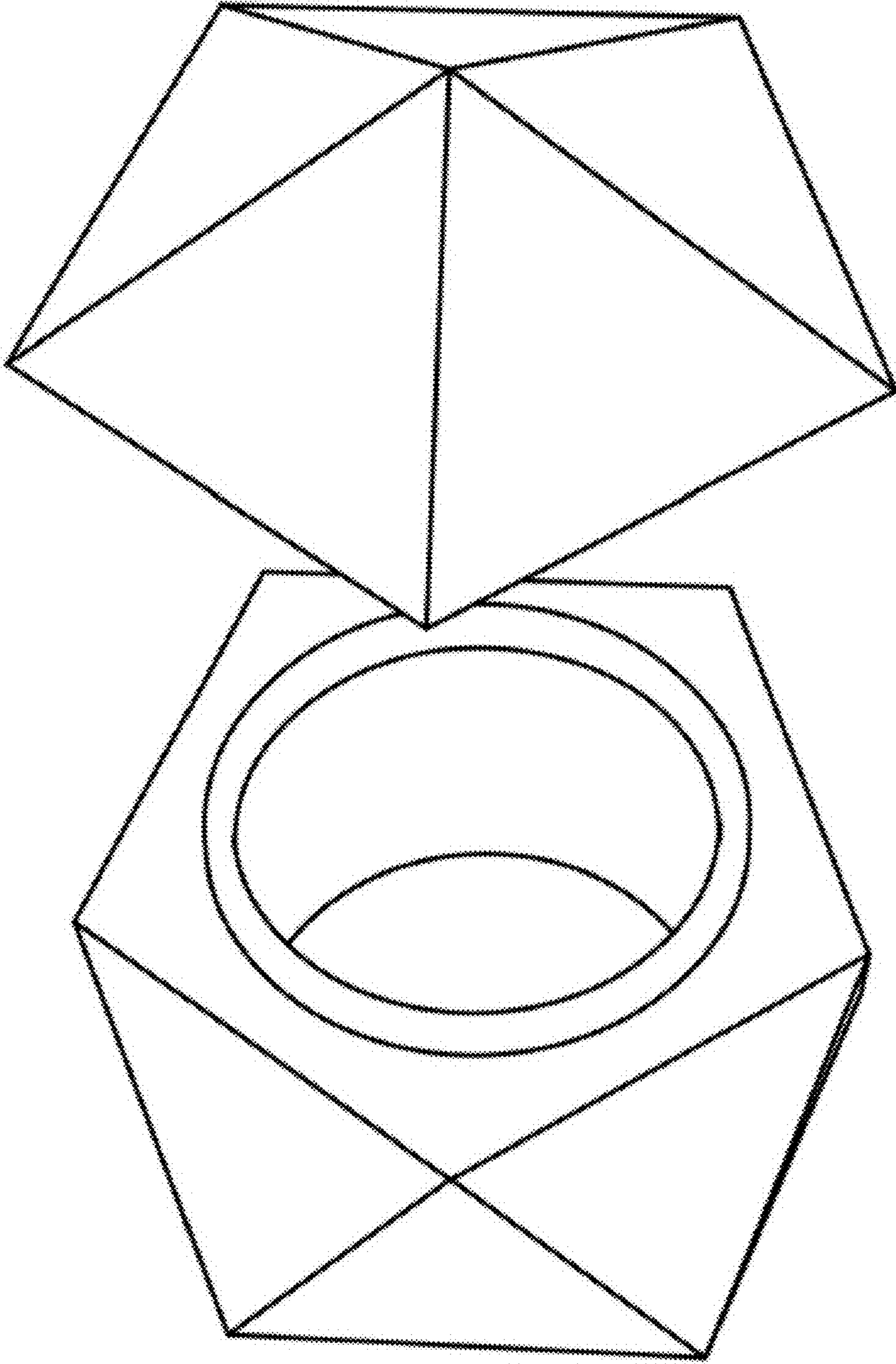
1.6



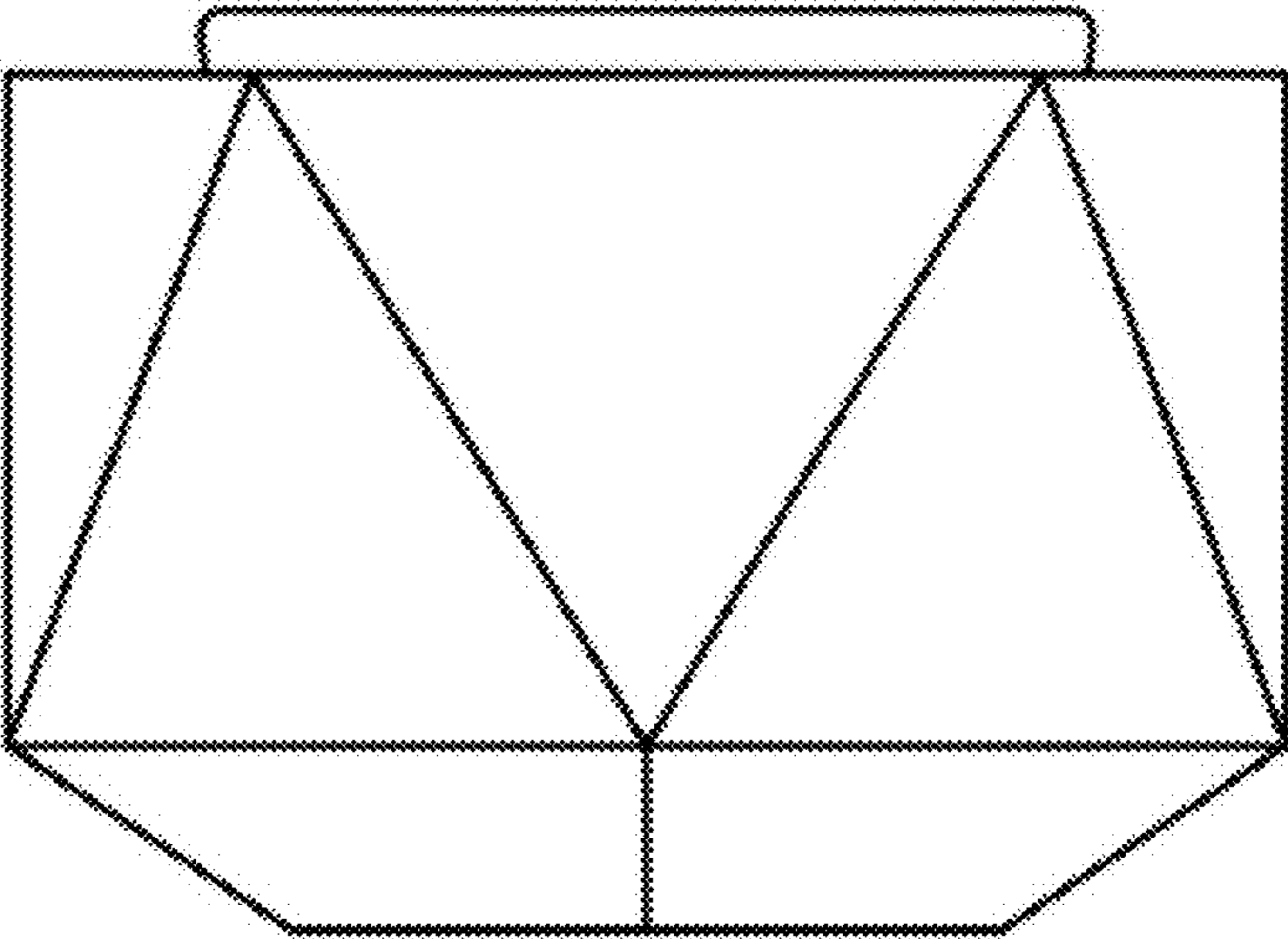
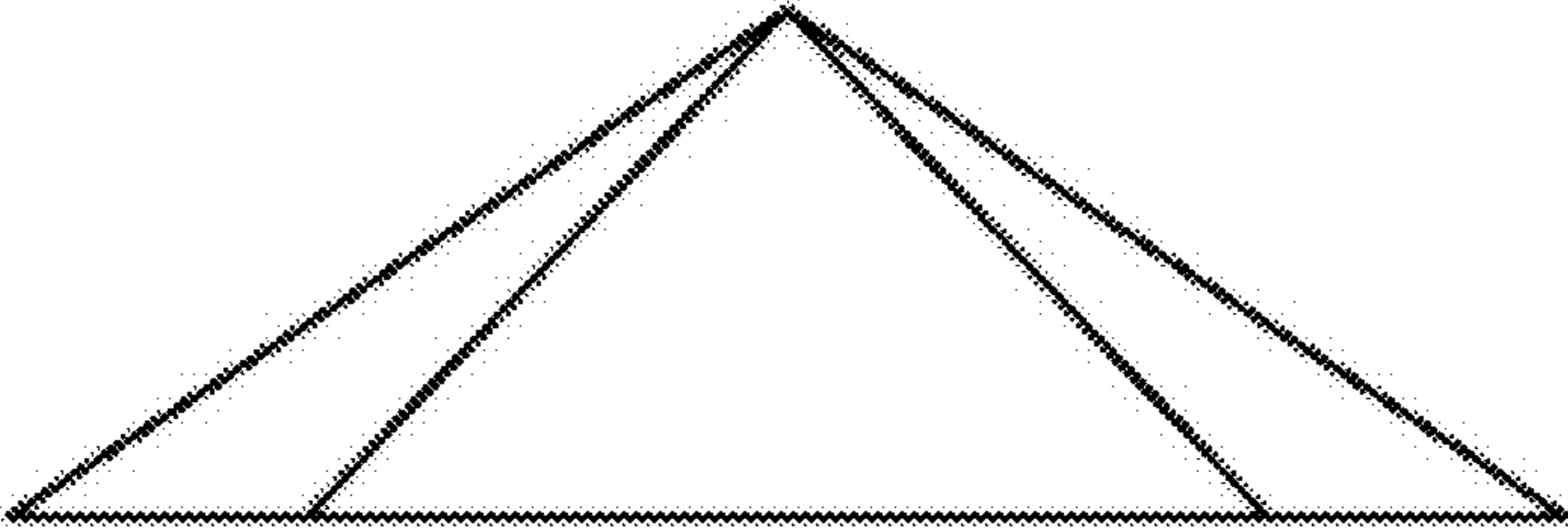
1.7



1.8



1.9



1.10

