



US00D856148S

(12) **United States Design Patent** (10) **Patent No.:** **US D856,148 S**  
**Lucas, Jr. et al.** (45) **Date of Patent:** **\*\* Aug. 13, 2019**

(54) **CONTAINER FOR SAMPLING**  
 (71) Applicant: **CSP TECHNOLOGIES, INC.**,  
 Auburn, AL (US)  
 (72) Inventors: **Franklin Lee Lucas, Jr.**, Opelika, AL  
 (US); **Ethan Ross Perdue**, Auburn, AL  
 (US); **Jean-Pierre Giraud**, Auburn, AL  
 (US); **Herve Pichot**,  
 Chennevieres-sur-Marne (FR)

D354,198 S \* 1/1995 Chiang ..... D7/314  
 D511,940 S \* 11/2005 Kim ..... D7/598  
 D544,754 S \* 6/2007 Lion ..... D7/598  
 D569,008 S \* 5/2008 Lundqvist ..... D24/232  
 D641,866 S \* 7/2011 Burgess ..... D24/121  
 D704,554 S \* 5/2014 Baird ..... D9/435  
 8,888,998 B2 \* 11/2014 Swain ..... B01D 35/147  
 210/130  
 D735,880 S \* 8/2015 Bargh ..... D24/224  
 D748,776 S \* 2/2016 Brannon ..... D24/121  
 2006/0016769 A1 \* 1/2006 Hacker ..... B01D 29/055  
 210/791

(73) Assignee: **CSP Technologies, Inc.**, Auburn, AL  
 (US)

(Continued)

(\*\*) Term: **15 Years**

Primary Examiner — Anhdao Doan

Assistant Examiner — Mary Shannon Malley

(21) Appl. No.: **29/563,520**

(74) Attorney, Agent, or Firm — Mark T. Vogelbacker;  
 Eckert Seamans Cherin & Mellott, LLC

(22) Filed: **May 5, 2016**

(51) **LOC (12) Cl.** ..... **09-01**

(52) **U.S. Cl.**  
 USPC ..... **D9/523; D24/224**

(57) **CLAIM**

(58) **Field of Classification Search**

The ornamental design for a container for sampling, as  
 shown and described.

USPC ..... D9/434, 435, 444–445, 449, 452–454,  
 D9/500–505, 516, 519, 521–526,  
 D9/529–530, 535, 537–546, 549–575,  
 D9/682–694, 723–729; D7/300, 598;  
 215/379, 381–385; 220/660, 662,  
 220/669–673, 675; D24/216–226;  
 D3/203.1–203.8; 422/500, 547, 549;  
 435/287.1, 288.1  
 CPC ..... B65D 1/0223; B65D 2501/0036; B65D  
 79/005; B65D 23/102; B65D 2501/0027;  
 B65D 23/0814; B65C 3/08; B01L 1/00;  
 B01L 3/00; B01L 3/12; B01L 3/50; B01L  
 3/50825; B01L 3/508; B01L 3/5025;  
 B01L 2300/024; B01L 2300/041  
 See application file for complete search history.

**DESCRIPTION**

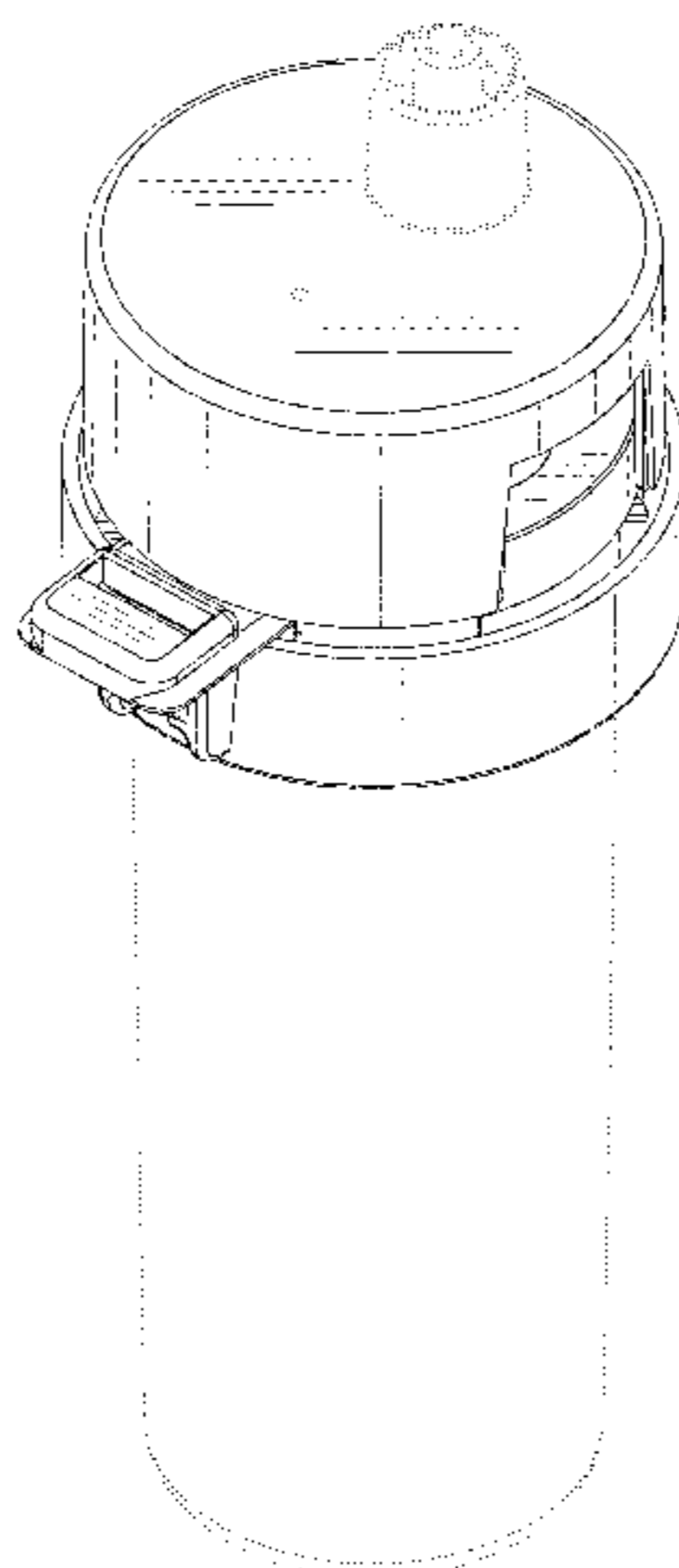
FIG. 1 is a front isometric view of a container for sampling  
 showing our new design;  
 FIG. 2 is a front elevation view thereof;  
 FIG. 3 is a rear elevation view thereof;  
 FIG. 4 is a left side elevation view thereof;  
 FIG. 5 is a right side elevation view thereof;  
 FIG. 6 is a top plan view thereof; and,  
 FIG. 7 is a bottom plan view thereof.  
 The broken lines immediately adjacent the shaded areas  
 represent the bounds of the claim, while all other broken  
 lines are directed to environment and are for illustrative  
 purposes only; the broken lines form no part of the claimed  
 design.

(56) **References Cited**

**U.S. PATENT DOCUMENTS**

2,752,971 A \* 7/1956 Tupper ..... A47J 43/27  
 215/11.1  
 4,915,831 A \* 4/1990 Taylor ..... B01D 35/30  
 206/1.5

**1 Claim, 6 Drawing Sheets**



(56)

**References Cited**

U.S. PATENT DOCUMENTS

2014/0238920 A1\* 8/2014 Ergican ..... B01D 35/30  
210/232  
2016/0016099 A1\* 1/2016 Lin ..... B01D 35/30  
210/95  
2016/0310873 A1\* 10/2016 Wong ..... B01D 35/30

\* cited by examiner

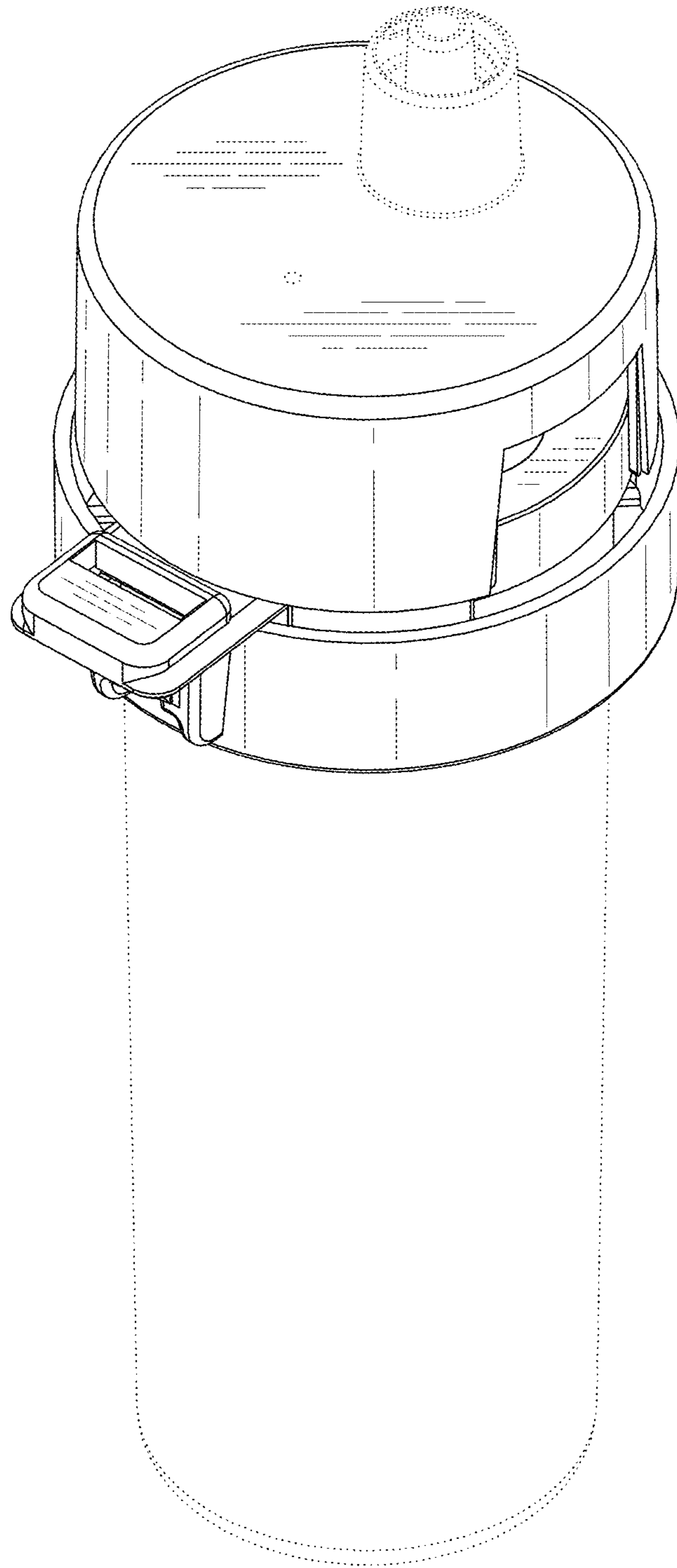


FIG. 1

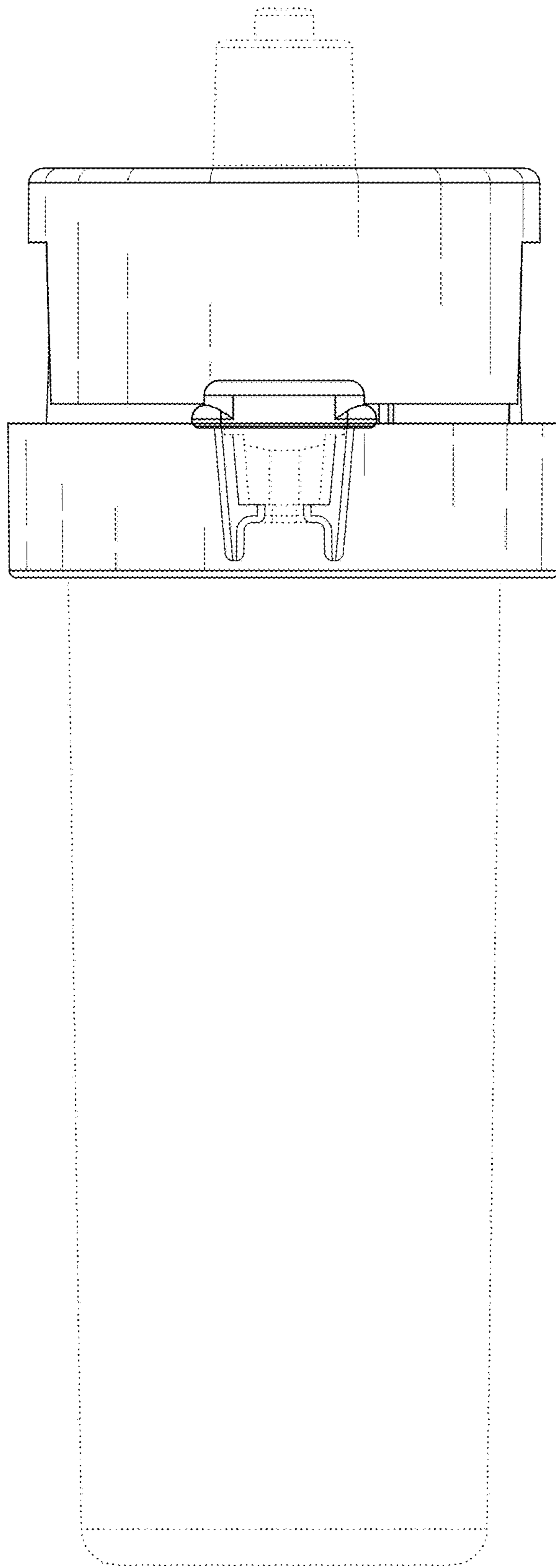


FIG. 2

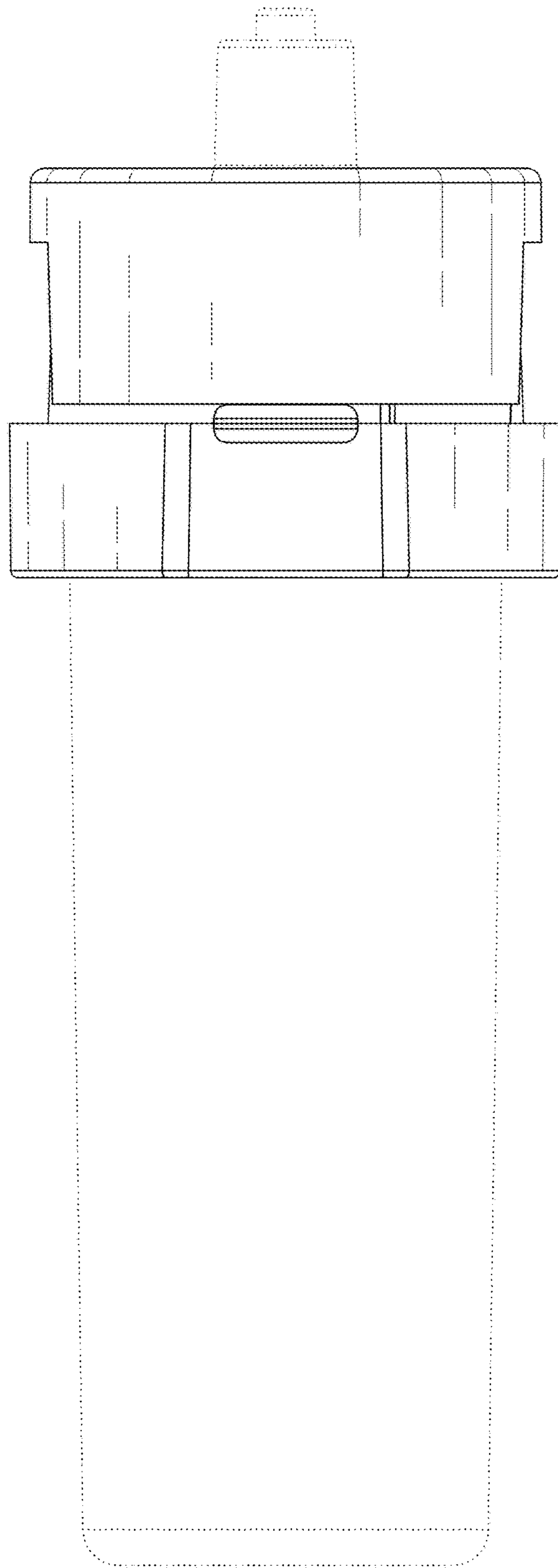


FIG. 3

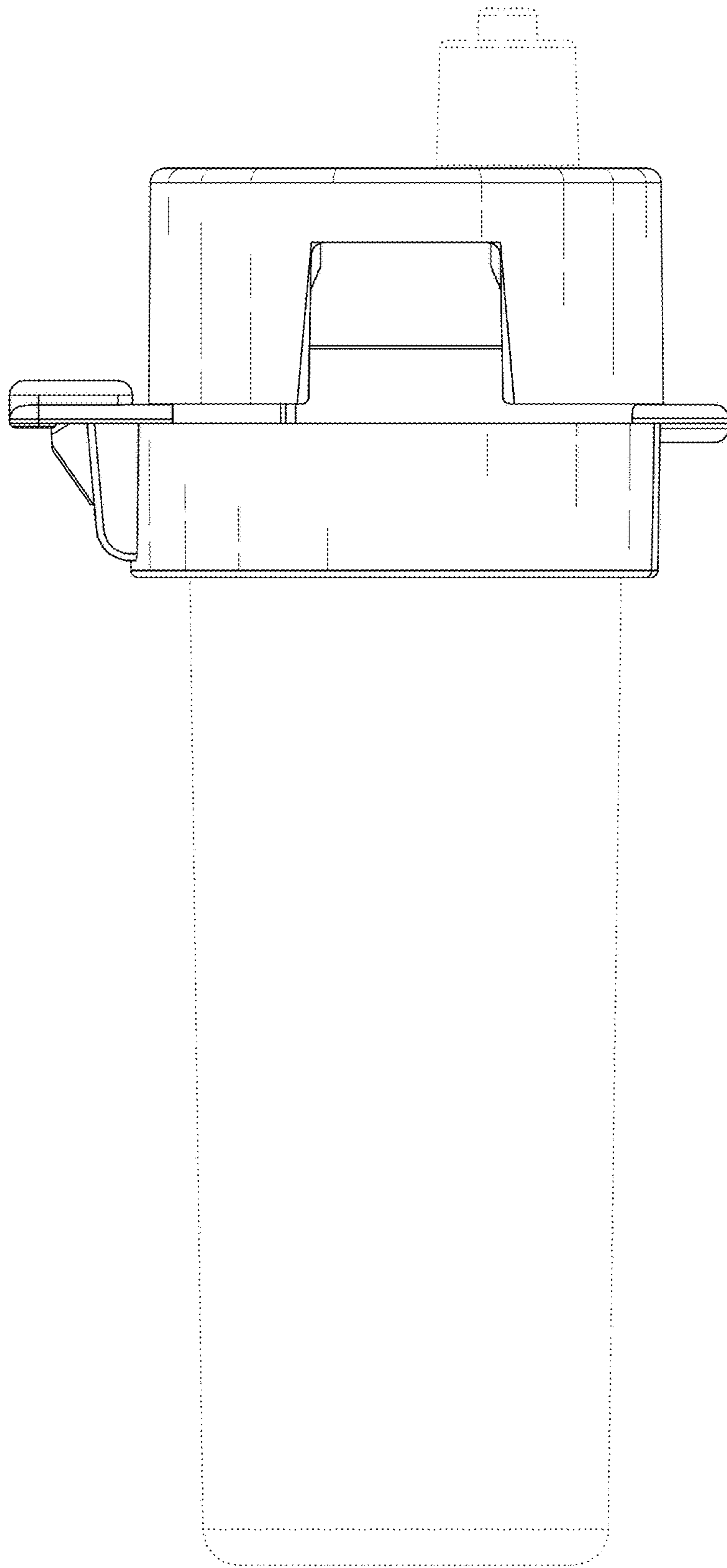


FIG. 4

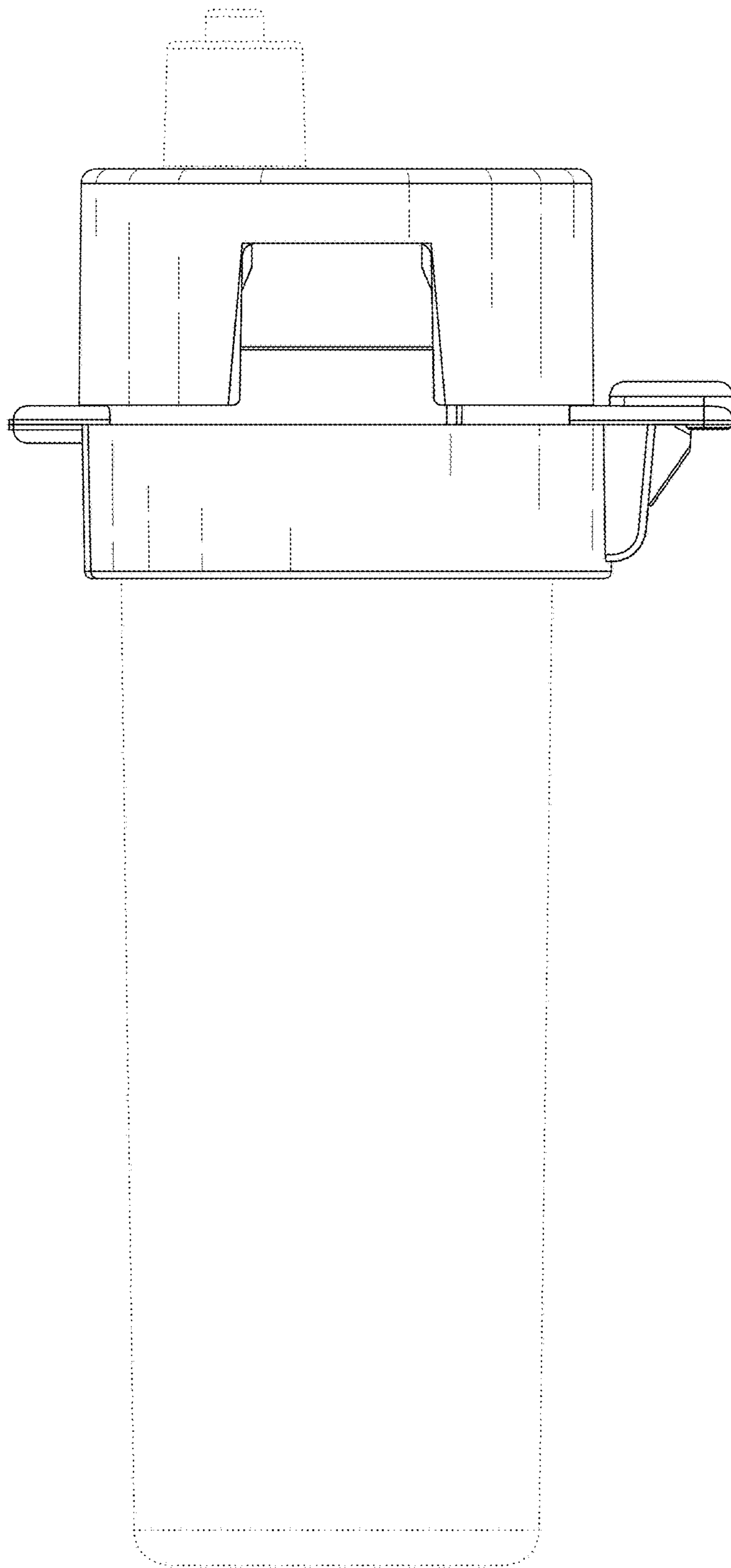


FIG. 5



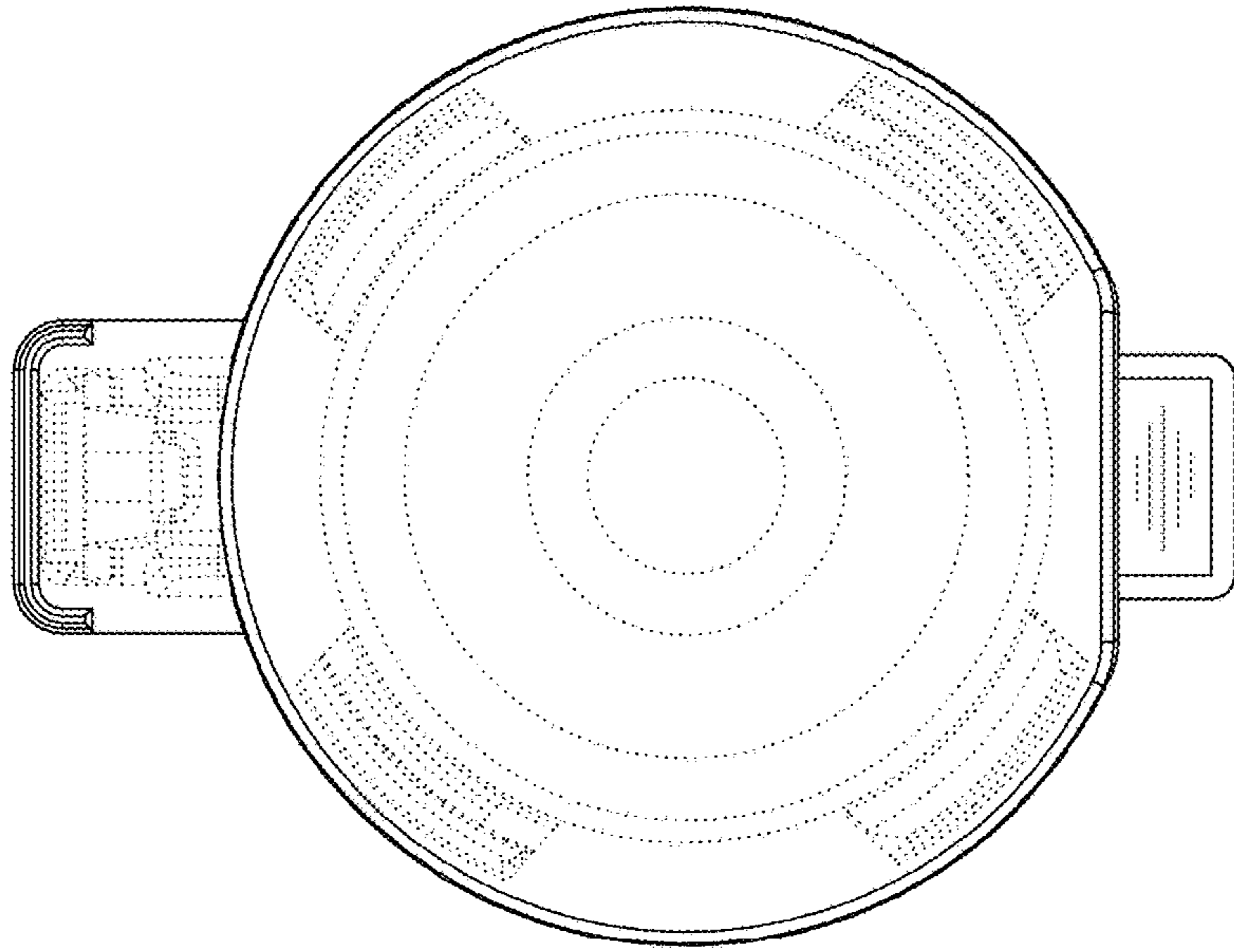


FIG. 6

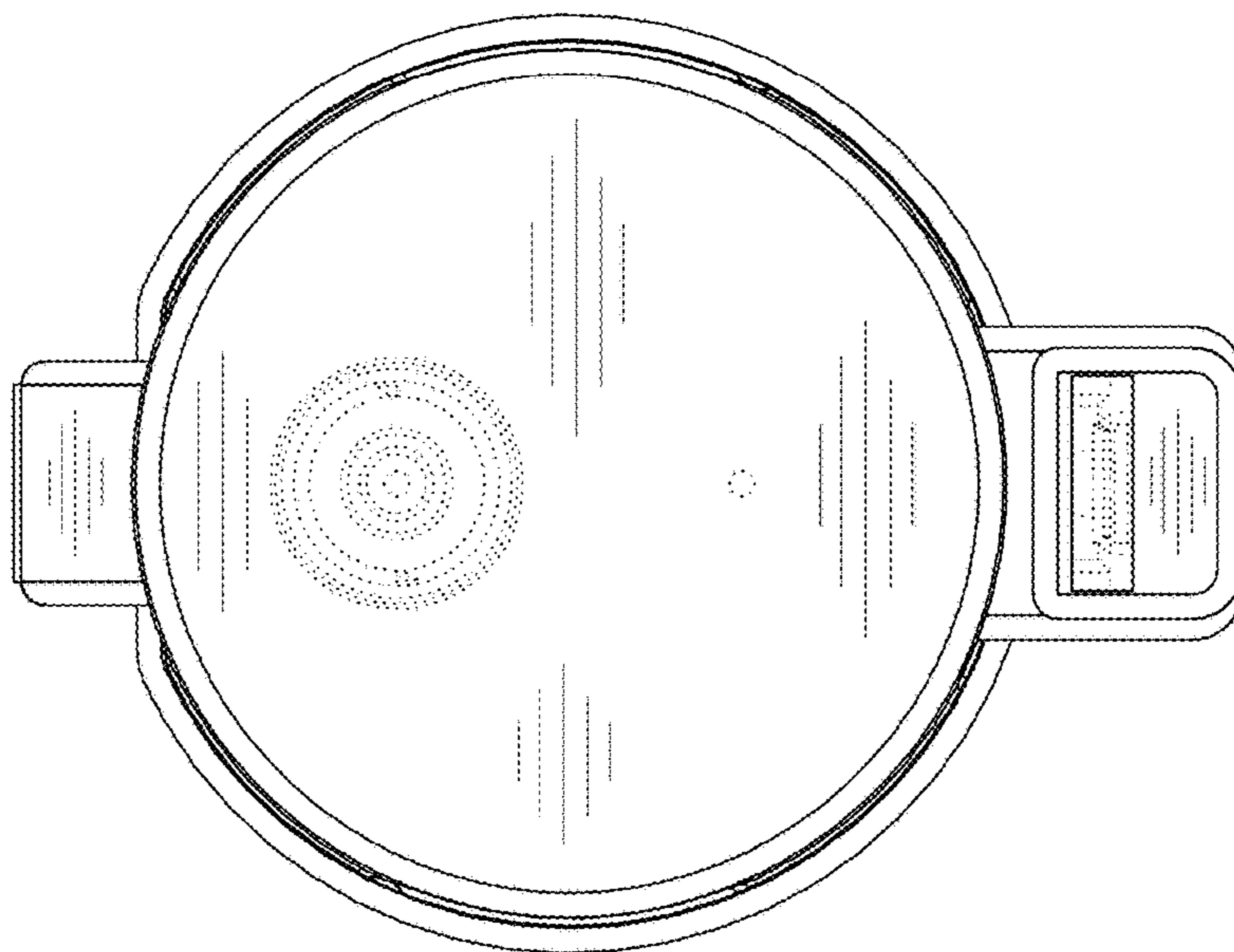


FIG. 7