



US00D856145S

(12) **United States Design Patent** (10) **Patent No.:** **US D856,145 S**
Trachtenberg et al. (45) **Date of Patent:** **** Aug. 13, 2019**

- (54) **EXOSKELETON FOR A THIN RECTANGULAR PRODUCT**
- (71) Applicants: **Marc Trachtenberg**, New York, NY (US); **Francois Gariepy**, Westmount (CA)
- (72) Inventors: **Marc Trachtenberg**, New York, NY (US); **Francois Gariepy**, Westmount (CA)
- (73) Assignee: **Videri Inc.**, New York, NY (US)
- (**) Term: **14 Years**
- (21) Appl. No.: **29/509,606**
- (22) Filed: **Nov. 19, 2014**
- (51) **LOC (12) Cl.** **09-07**
- (52) **U.S. Cl.**
USPC **D9/456**
- (58) **Field of Classification Search**
USPC D3/272, 273; D9/414, 415, 418, 424, D9/425, 432-434, 455-457, 499; D14/217, 238.1, 250, 251, 440, 447
CPC H04B 1/3888; A45C 13/02; B65D 19/00
See application file for complete search history.

D762,203 S *	7/2016	Chin	D14/250
D779,948 S *	2/2017	Hirose	D9/456
D782,307 S *	3/2017	Kurmlavage	D9/443
D785,636 S *	5/2017	Oberpriller	D14/440
2014/0216953 A1 *	8/2014	Su	A45C 11/00 206/37

OTHER PUBLICATIONS

Saddleback Leather. Digital Paper Protector. Mar. 13, 2016 [earliest online date], [site visited Jul. 14, 2017]. Available from Internet, <URL:http://www.saddlebackleather.com/digital-paper-protector>.*

* cited by examiner

Primary Examiner — George D. Kirschbaum
Assistant Examiner — Darcey E Gottschalk
(74) *Attorney, Agent, or Firm* — Pryor Cashman LLP

(57) **CLAIM**

The ornamental design for an exoskeleton for a thin rectangular product, substantially as shown and described.

DESCRIPTION

FIG. 1. is a front view of the design in the closed position; FIG. 2. is a perspective front view of the design in the closed position; FIG. 3. is a front view of the design in the open position; FIG. 4. is a perspective front view of the design in the open position; FIG. 5. is a top view of the design in the closed position; FIG. 6. is an enlarged view of section 6 of FIG. 1; FIG. 7. is an enlarged view of section 7 of FIG. 3; and, FIG. 8. is a side view of the design in the closed position.

1 Claim, 8 Drawing Sheets

- (56) **References Cited**
U.S. PATENT DOCUMENTS
- | | | | | |
|--------------|--------|-----------|-------|-----------|
| D256,675 S * | 9/1980 | Lubsen | | D9/456 |
| D283,312 S * | 4/1986 | Ebrahim | | D9/434 |
| D334,184 S * | 3/1993 | Weaver | | D14/447 |
| D562,136 S * | 2/2008 | Bernstein | | D9/455 |
| D686,498 S * | 7/2013 | Rego | | D9/456 |
| D687,708 S * | 8/2013 | Baker | | D9/434 |
| D737,680 S * | 9/2015 | Breton | | D9/456 |
| D761,236 S * | 7/2016 | Wengreen | | D14/238.1 |

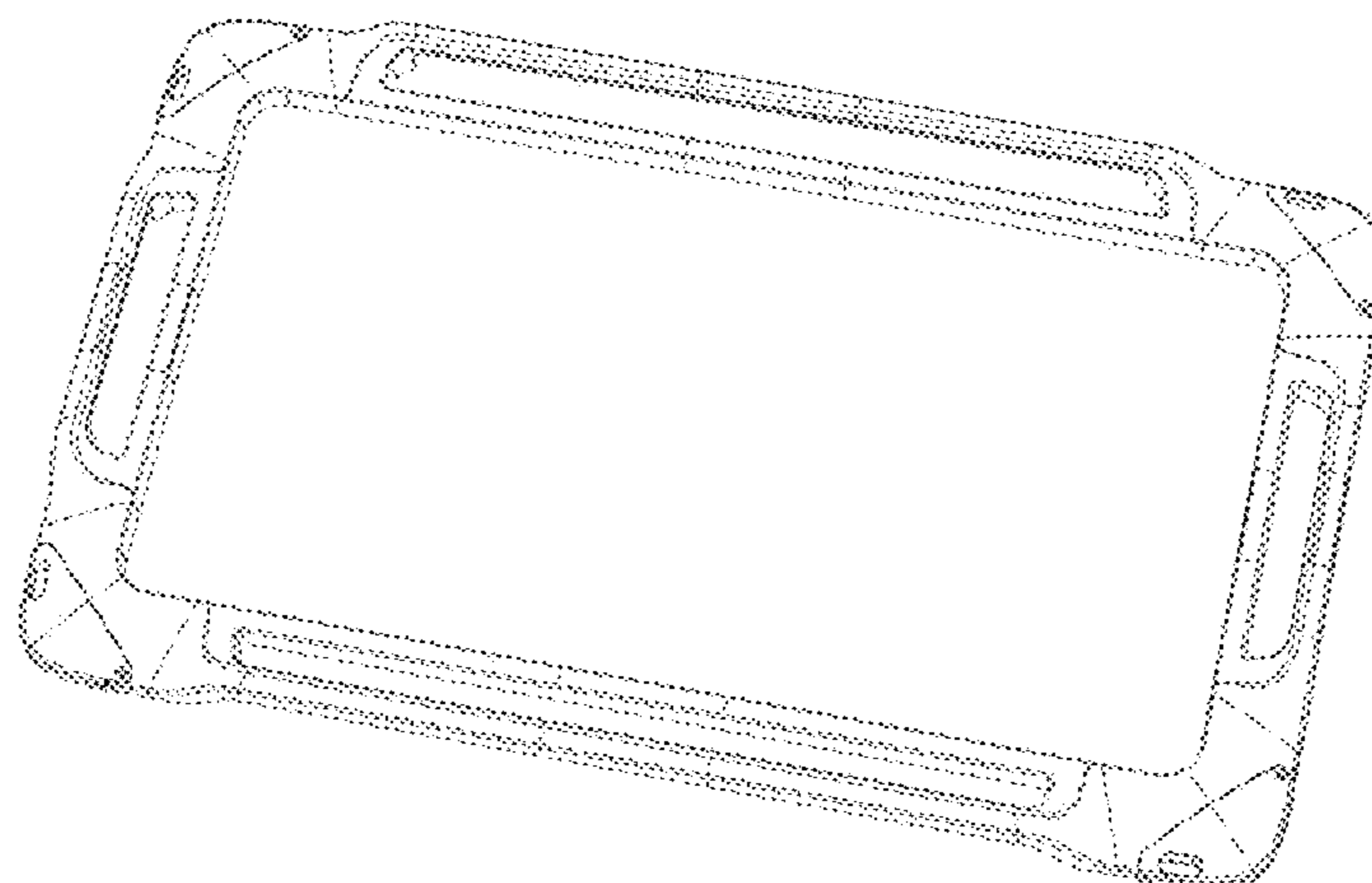


Fig. 1

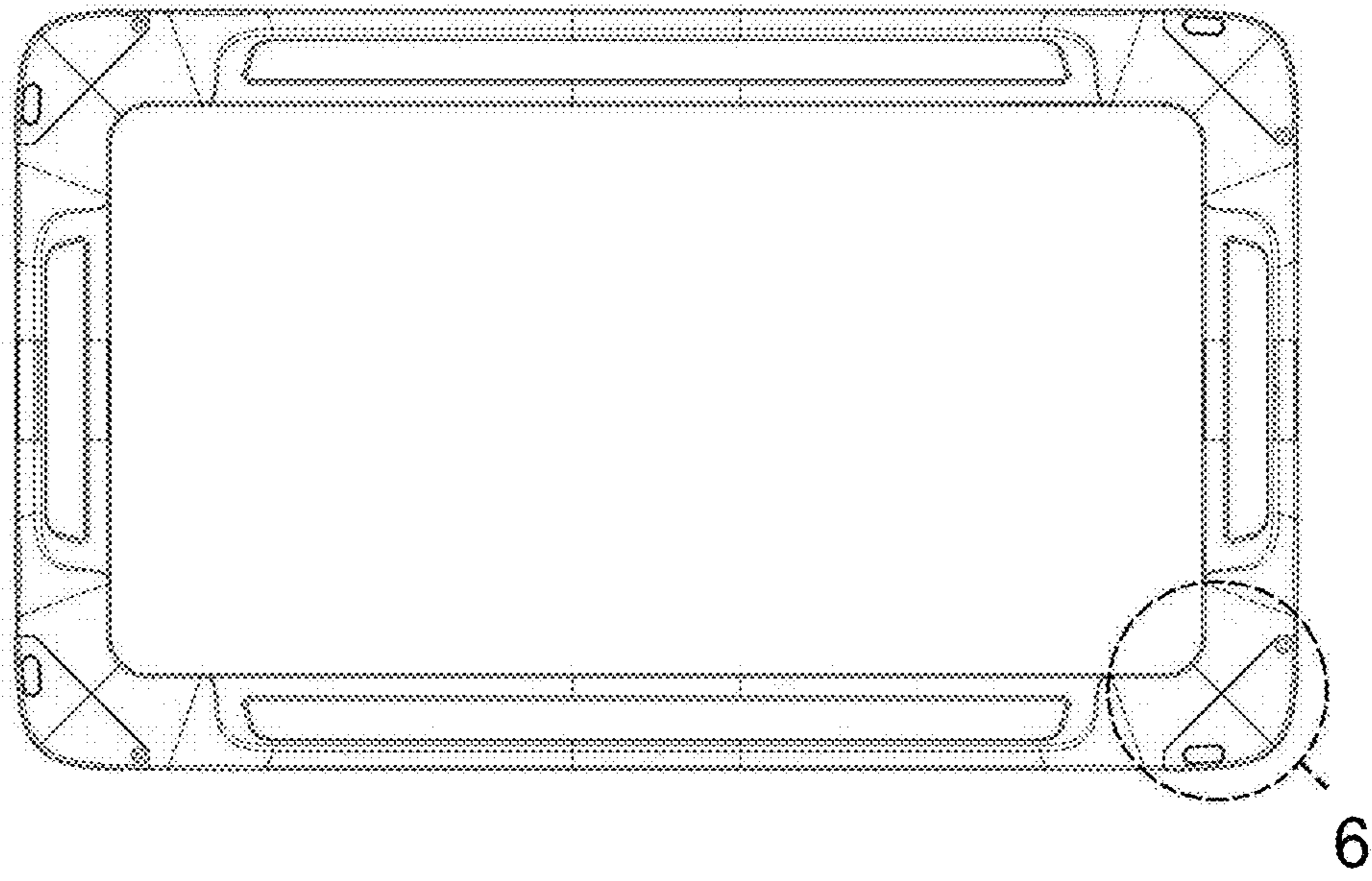


Fig. 2

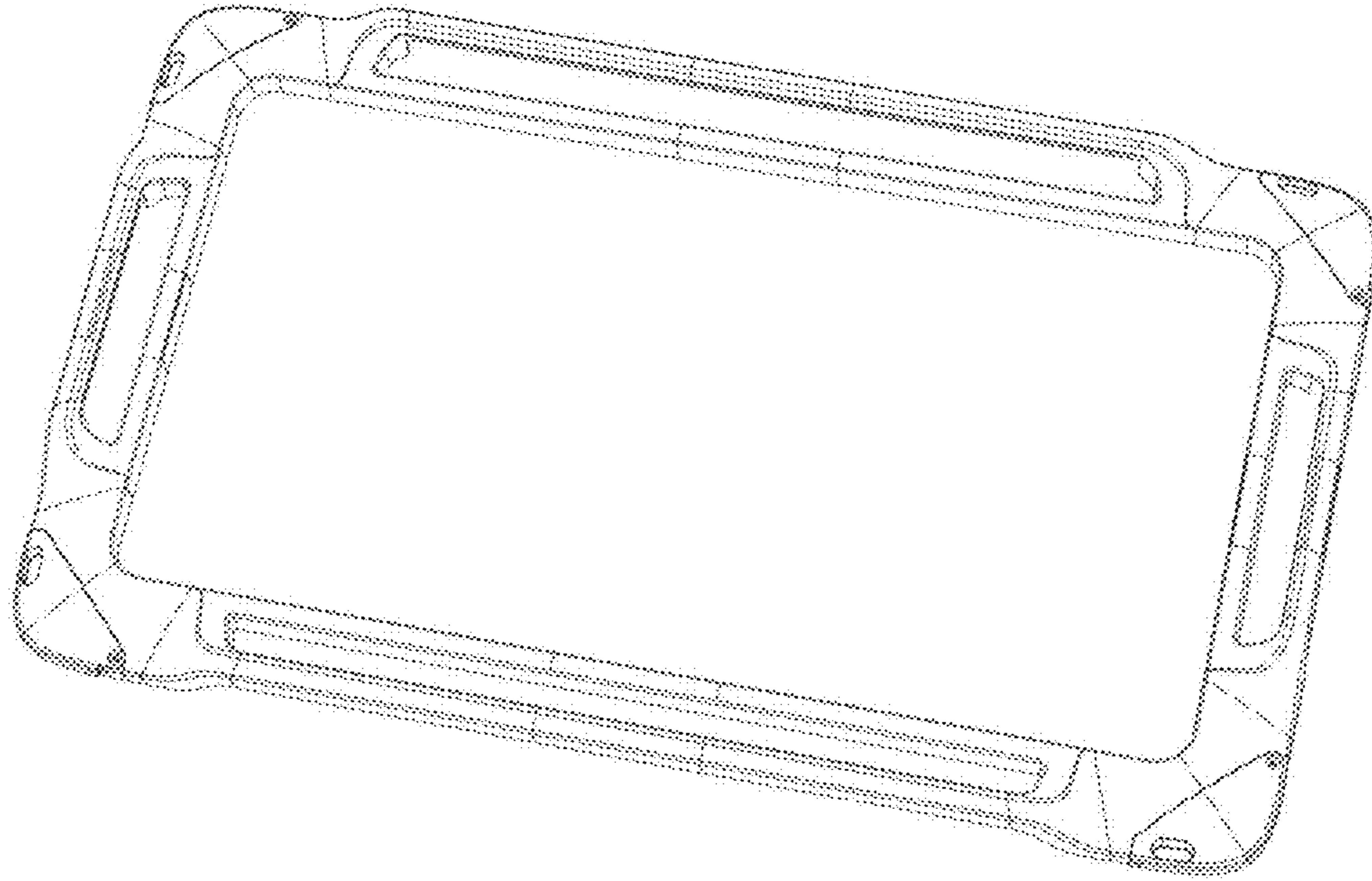


Fig. 3

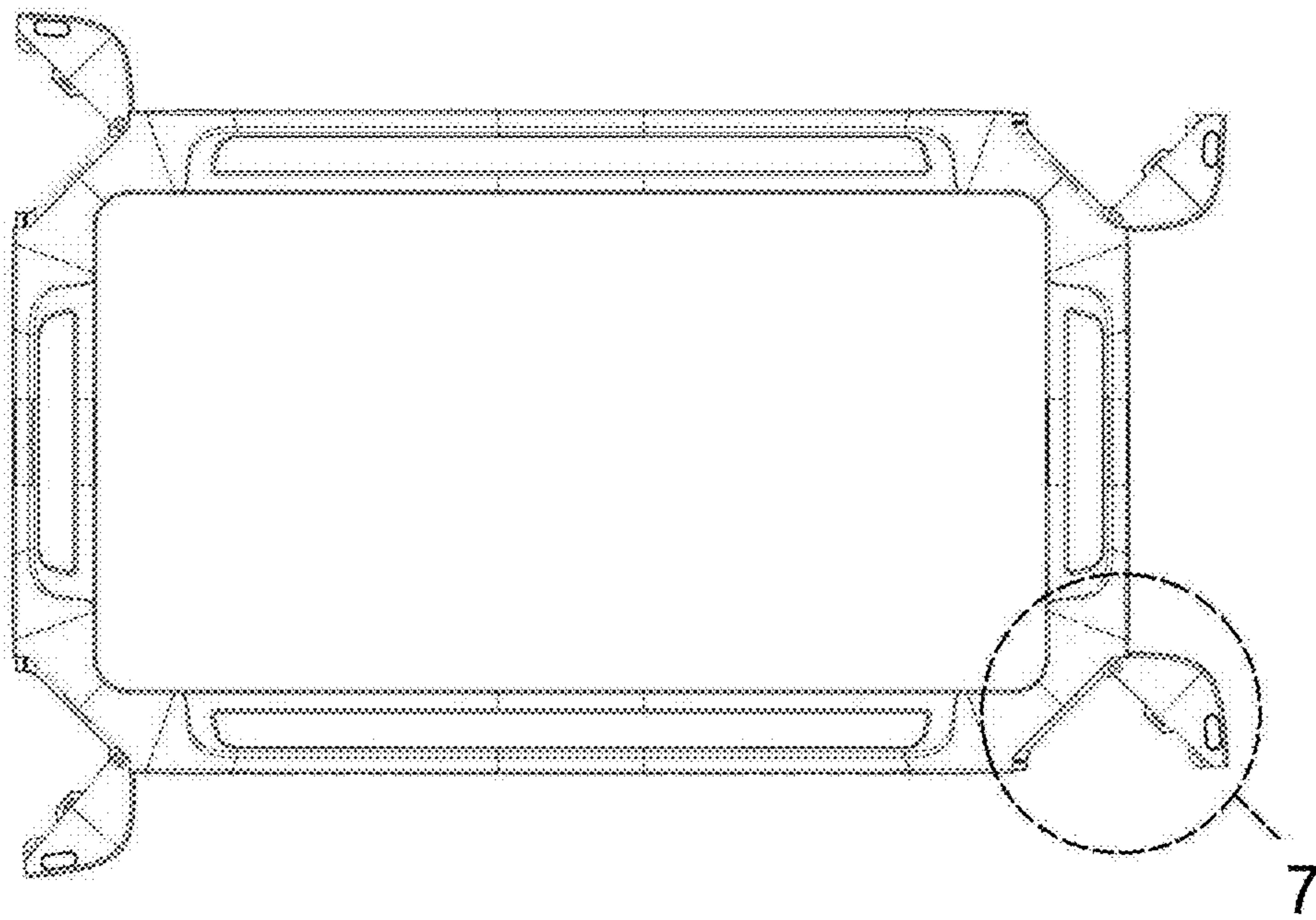


Fig. 4

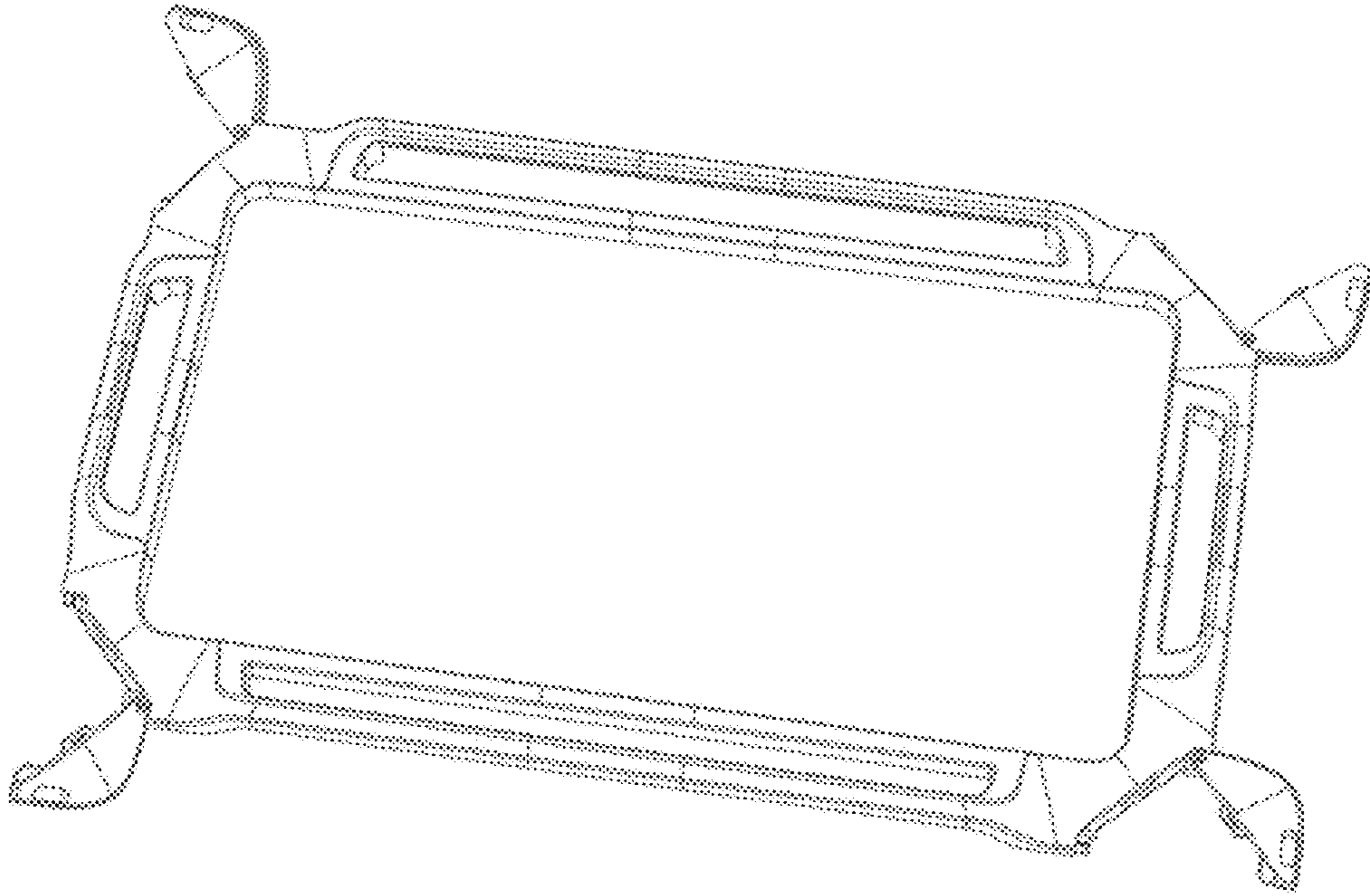


Fig. 5

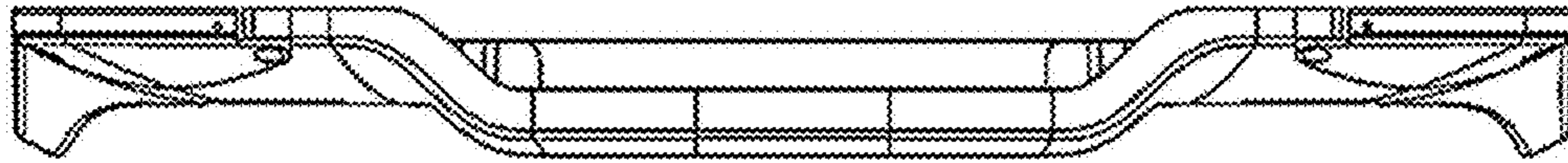


Fig. 6

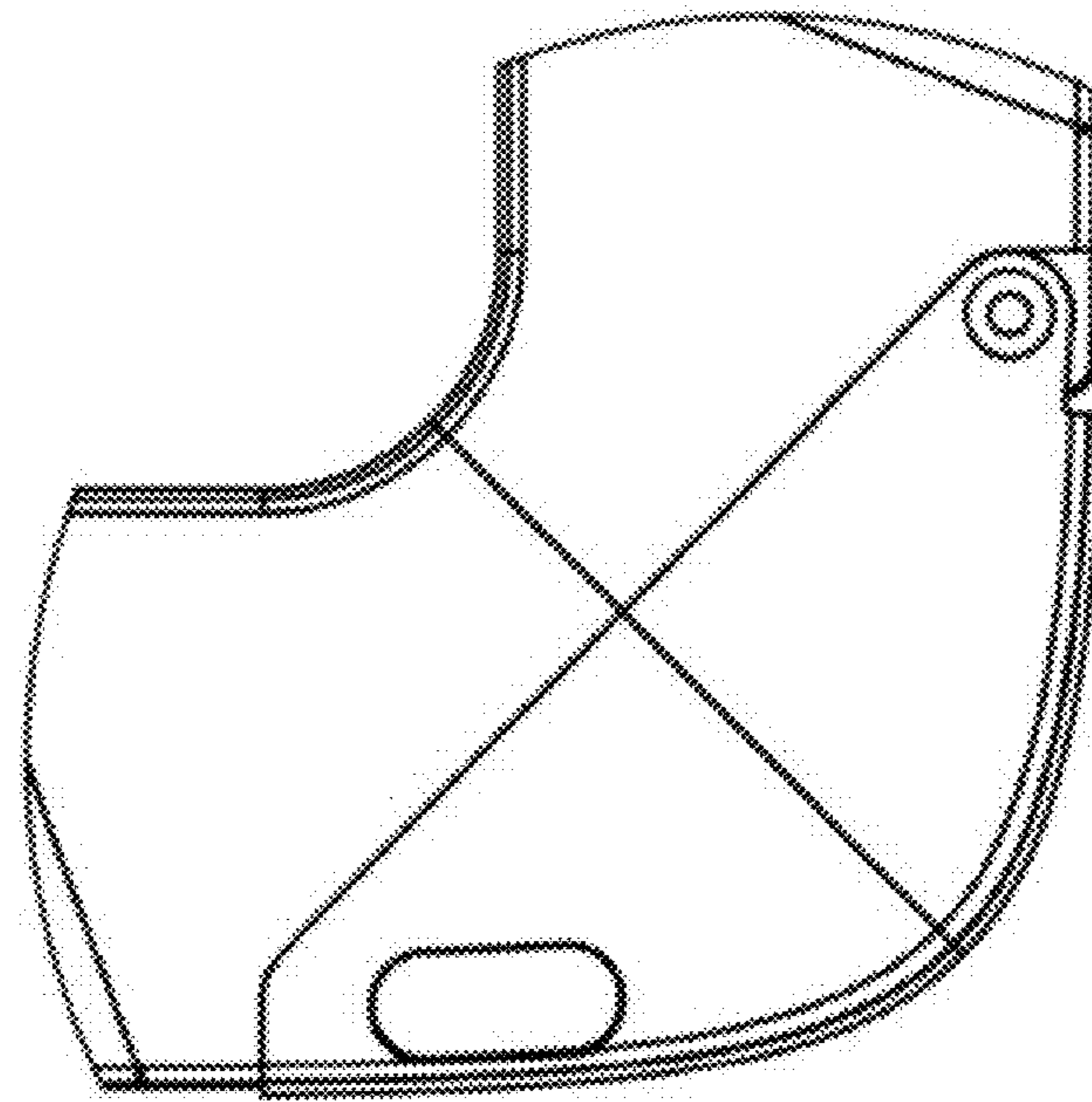


Fig. 7

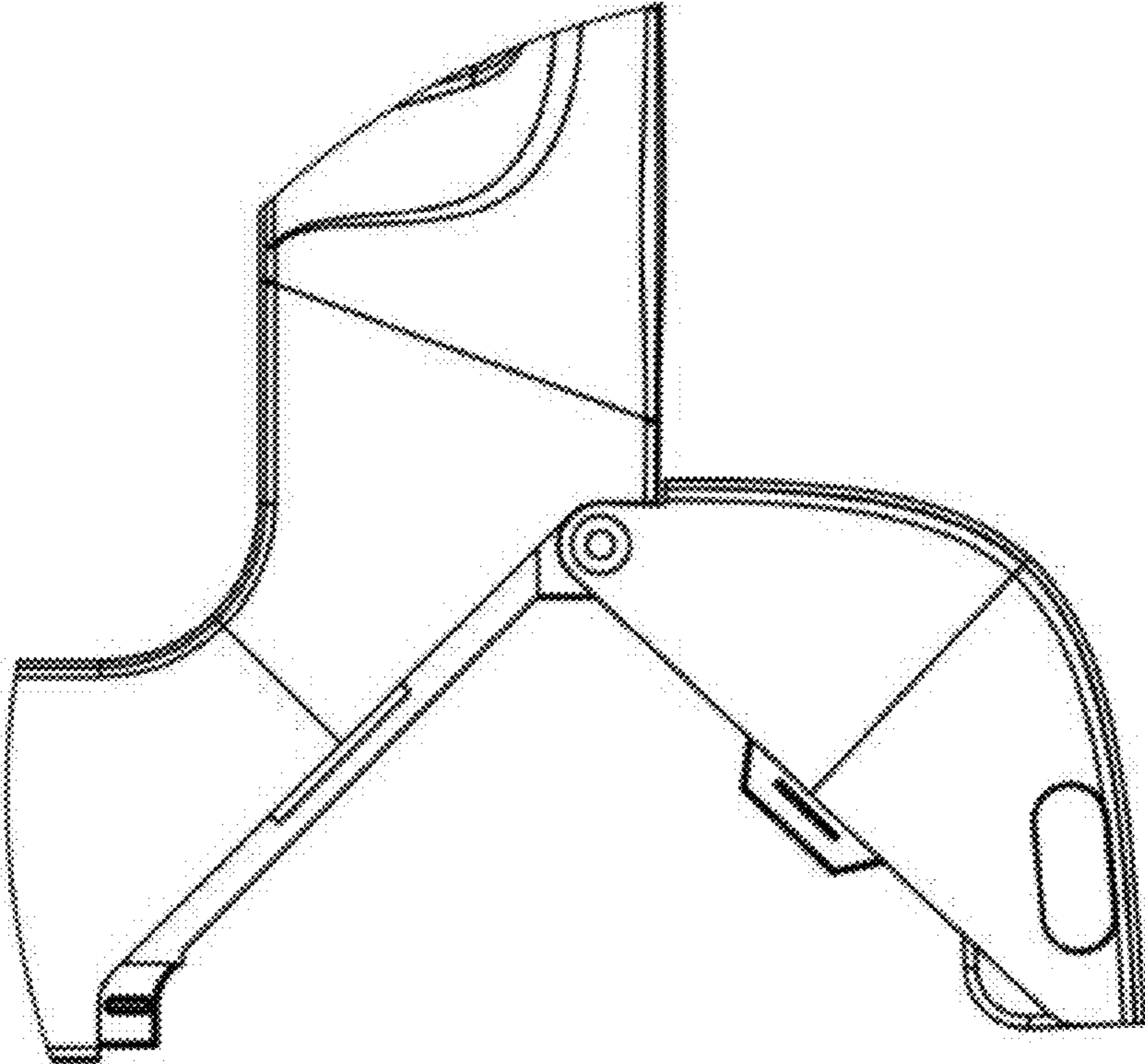


Fig. 8

