



US00D856144S

(12) **United States Design Patent**
Ahearn et al.

(10) **Patent No.:** **US D856,144 S**

(45) **Date of Patent:** **** Aug. 13, 2019**

(54) **DISPLAY HEADER HOOK**

(71) Applicant: **ALLEN FIELD COMPANY, INC.**,
Brightwaters, NY (US)

(72) Inventors: **Robert Ahearn**, Massapequa, NY (US);
Andrew Franzone, Jr., Bay Shore, NY
(US)

(73) Assignee: **ALLEN FIELD COMPANY, INC.**,
Brightwaters, NY (US)

(**) Term: **15 Years**

(21) Appl. No.: **29/626,719**

(22) Filed: **Nov. 20, 2017**

(51) **LOC (12) Cl.** **09-07**

(52) **U.S. Cl.**
USPC **D9/455**

(58) **Field of Classification Search**
USPC D7/622, 543, 545, 547, 600.1, 601,
D7/619.1, 709, 392.1, 396.2; D9/434,
D9/435, 436, 440, 443, 446, 447, 449,
D9/455, 499; D3/240
CPC . A45F 5/1026; A45F 5/102; A45F 2005/1033
See application file for complete search history.

(56) **References Cited**

U.S. PATENT DOCUMENTS

D276,504 S * 11/1984 Moran D9/434
4,766,683 A * 8/1988 Fast B65D 33/06
40/665
5,732,921 A * 3/1998 Lemire A47F 5/0006
24/515
5,735,395 A * 4/1998 Lo B65D 33/14
206/278
D407,311 S * 3/1999 DuCorday D9/434
6,182,824 B1 * 2/2001 Kolton B65D 33/14
206/278

D455,348 S * 4/2002 Fludd 294/137
D466,014 S * 11/2002 Le Roux D9/434
6,511,114 B1 * 1/2003 Fludd A45F 5/1026
294/159
D483,668 S * 12/2003 Le Roux D9/434
D489,618 S * 5/2004 Startek D9/434
D503,092 S * 3/2005 Feibelman D9/455
D520,362 S * 5/2006 Powell D9/434

OTHER PUBLICATIONS

AllenField. Slide On Header Hook Black. 2018. <URL:http://www.allenfield.com/Product-categories/Hook-Hangers/Slide-On-Header-Hook-Black_4.html>. (Year: 2018).*

* cited by examiner

Primary Examiner — George D. Kirschbaum
Assistant Examiner — Darcey E Gottschalk
(74) *Attorney, Agent, or Firm* — Epstein Drangel LLP;
Robert L. Epstein

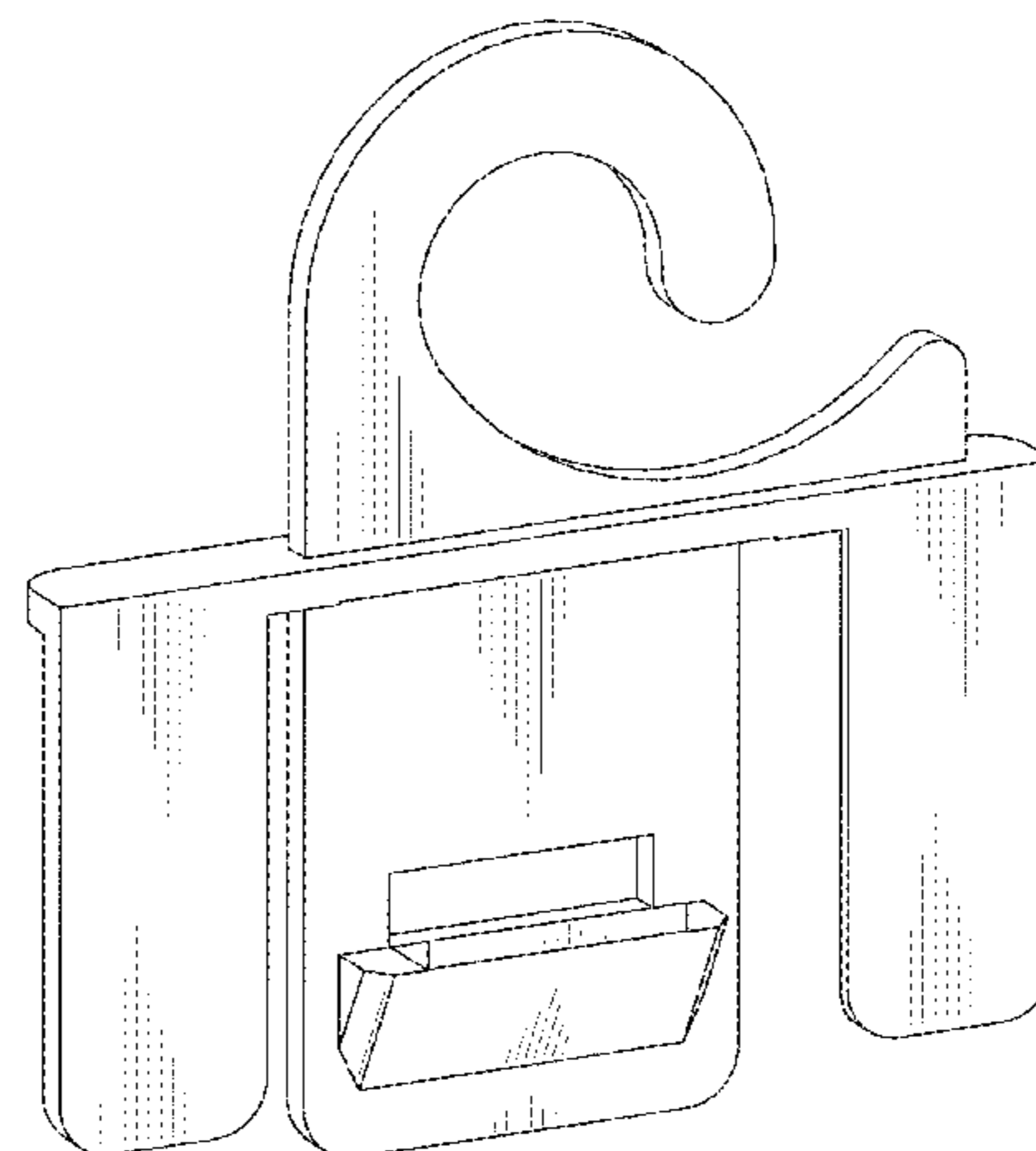
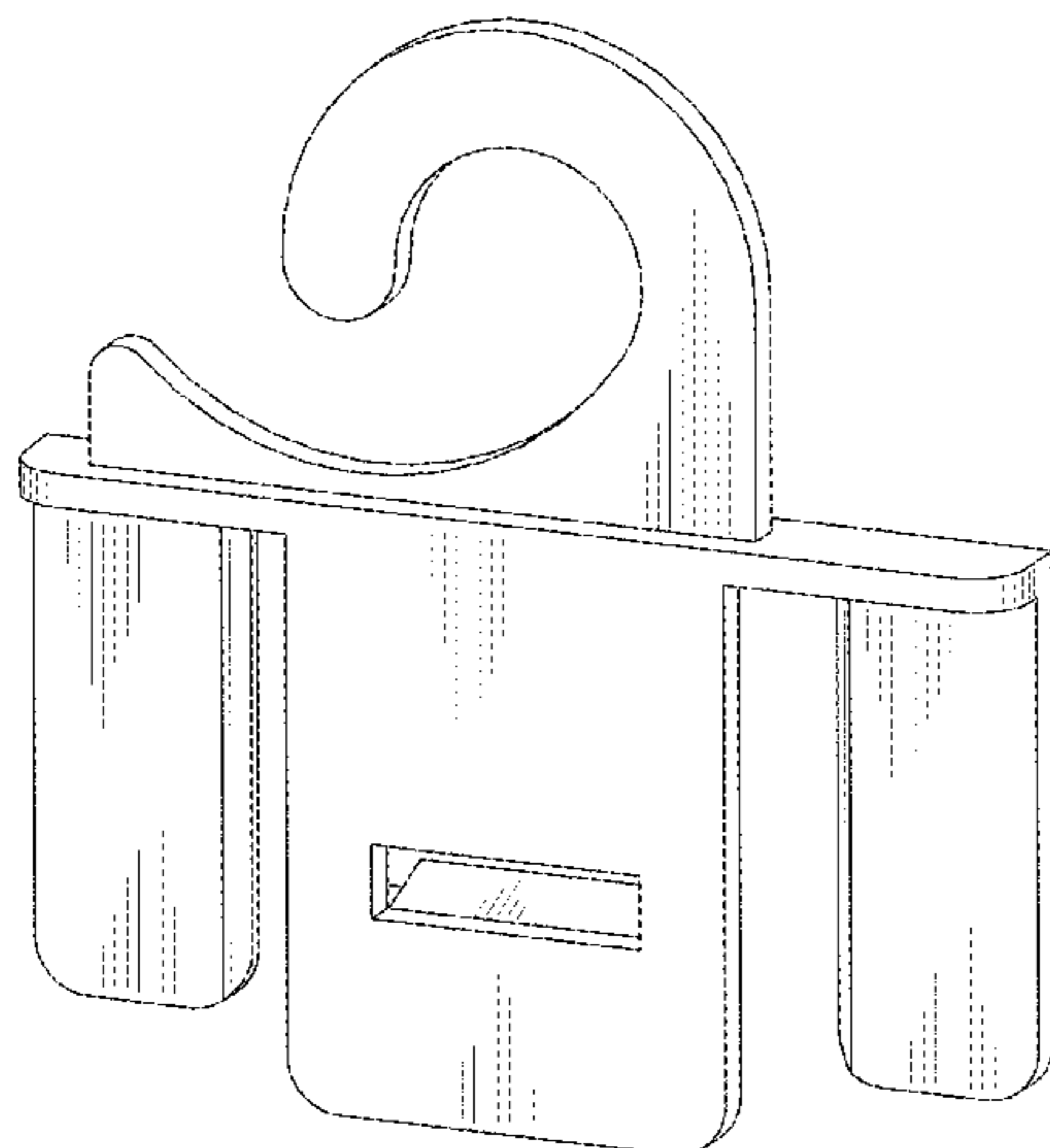
(57) **CLAIM**

Applicant claims the ornamental design for a display header hook, substantially as shown and described.

DESCRIPTION

FIG. 1 is a perspective view of the display header hook showing the front, right side and top of the design; FIG. 2 is a perspective view of the back, left side and bottom of the design; FIG. 3 is a front elevation view of the design; FIG. 4 is a back elevation view of the design; FIG. 5 is an elevation view of the right side of the design; FIG. 6 is an elevation view of the left side of the design; FIG. 7 is a top plan view of the design; and, FIG. 8 is a bottom plan view of the design.

1 Claim, 6 Drawing Sheets



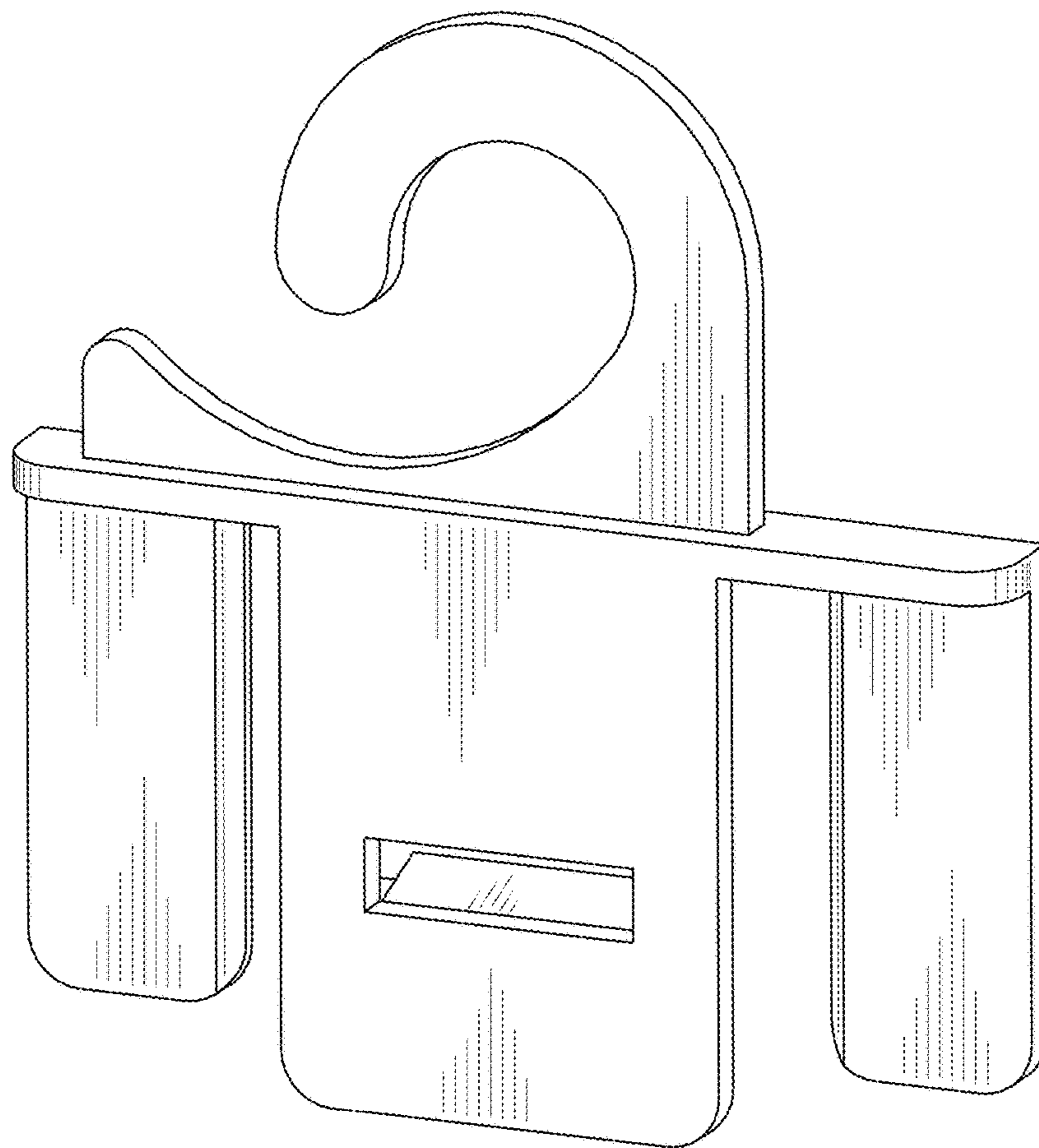


FIG. 1

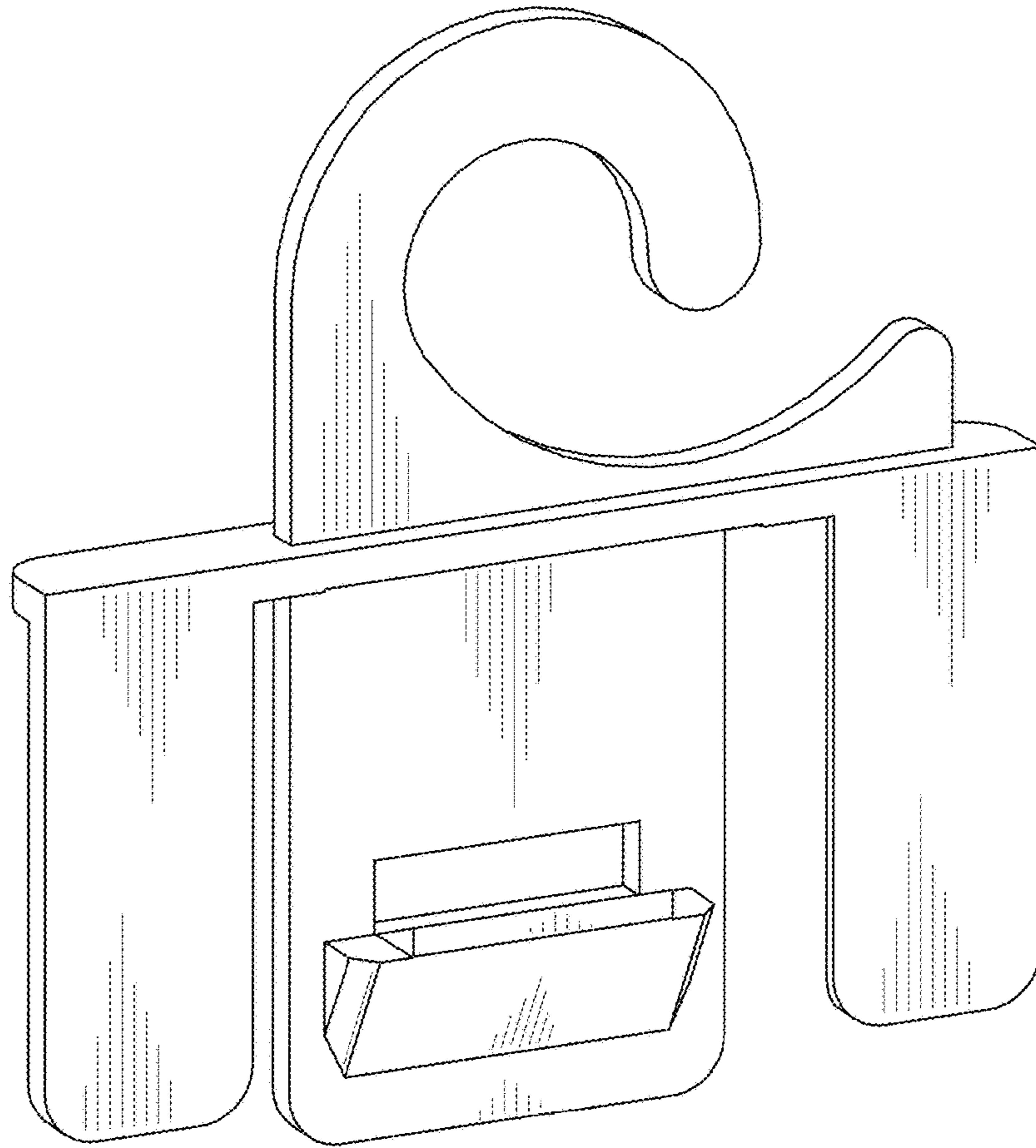


FIG. 2

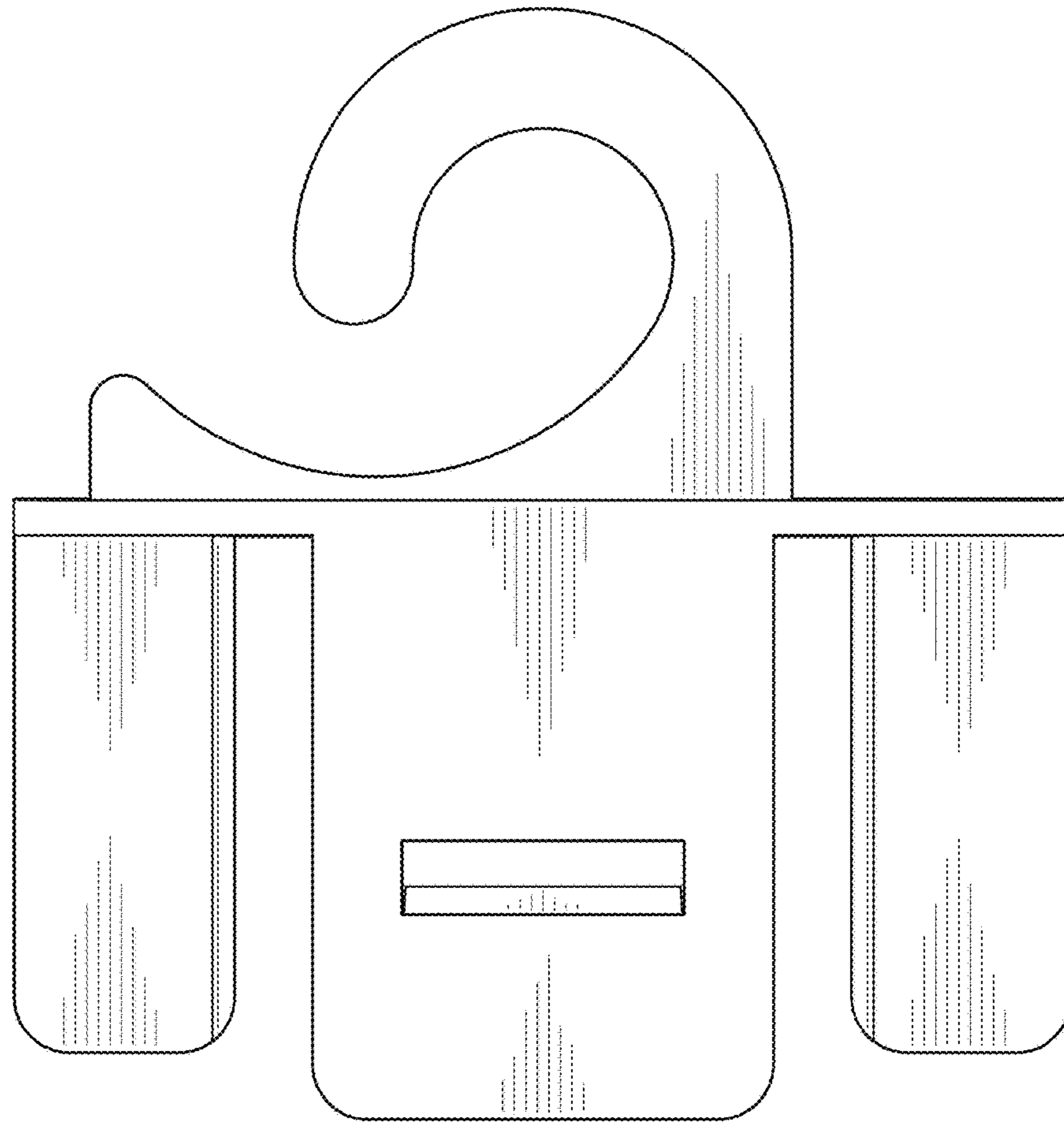


FIG. 3

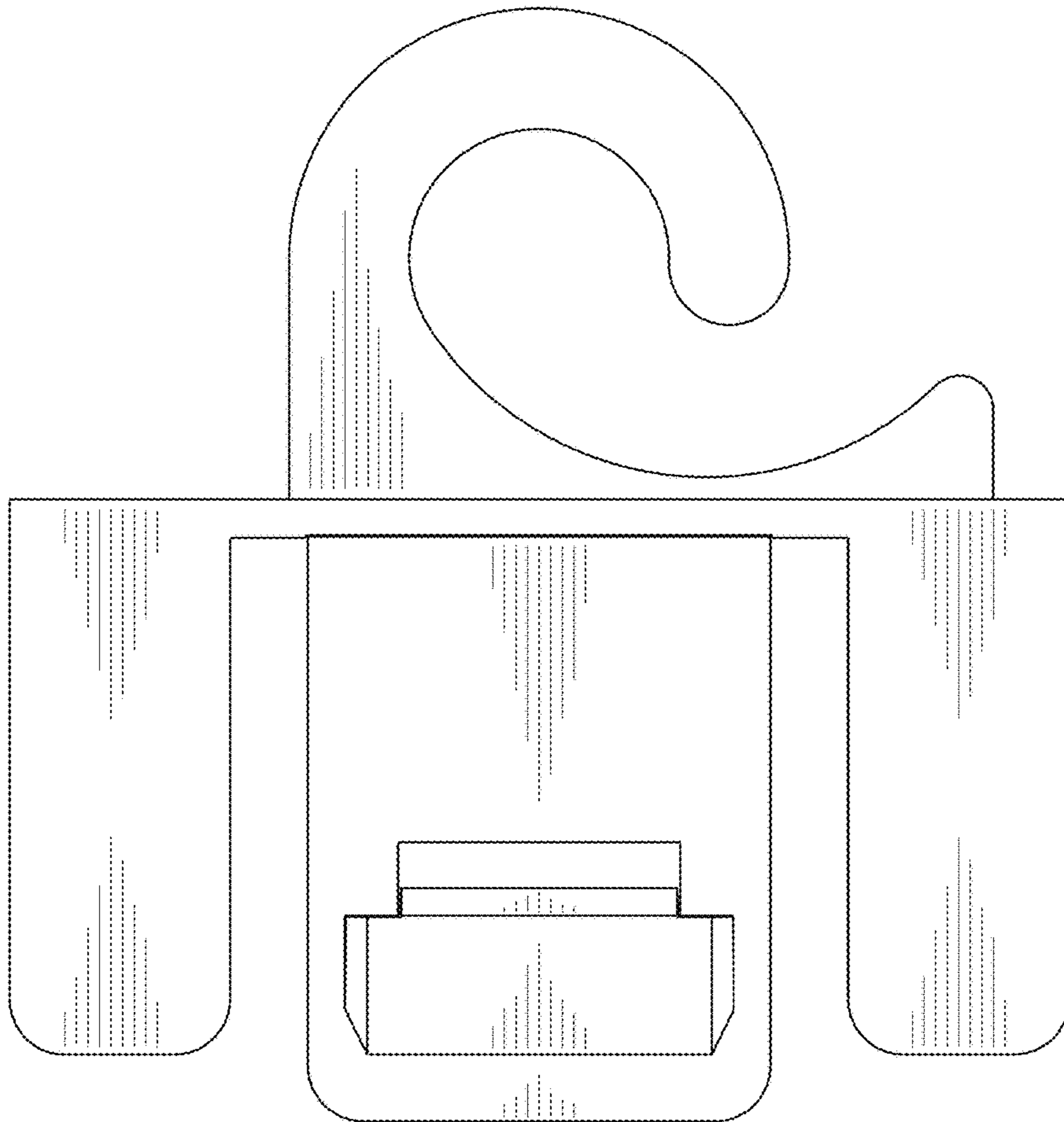


FIG. 4

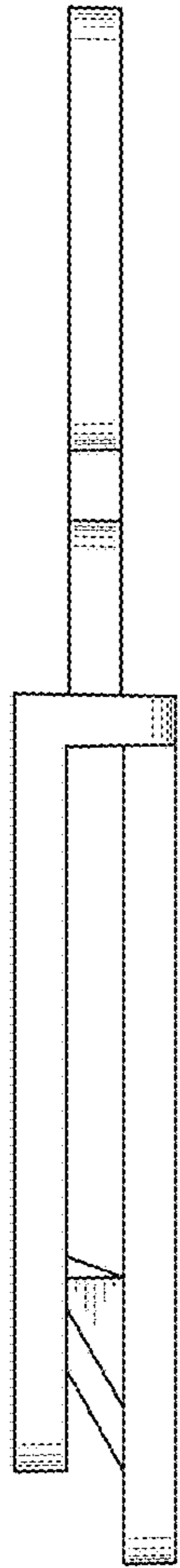


FIG. 5

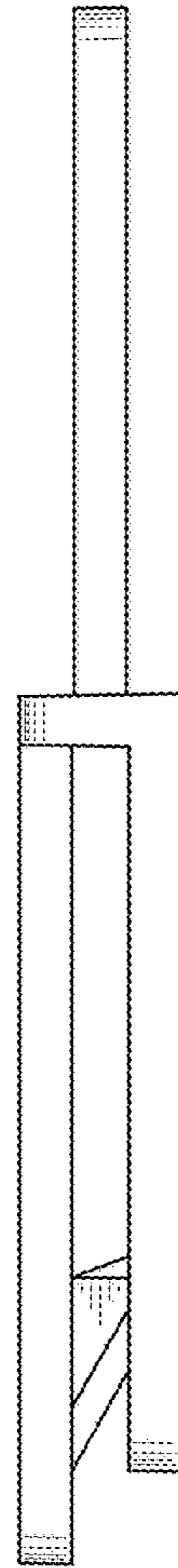


FIG. 6

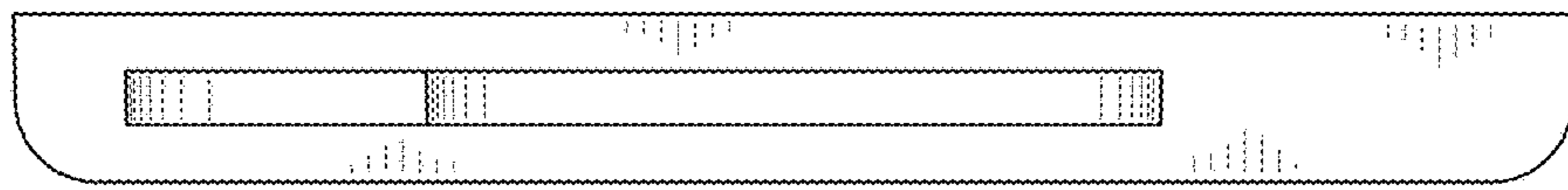


FIG. 7

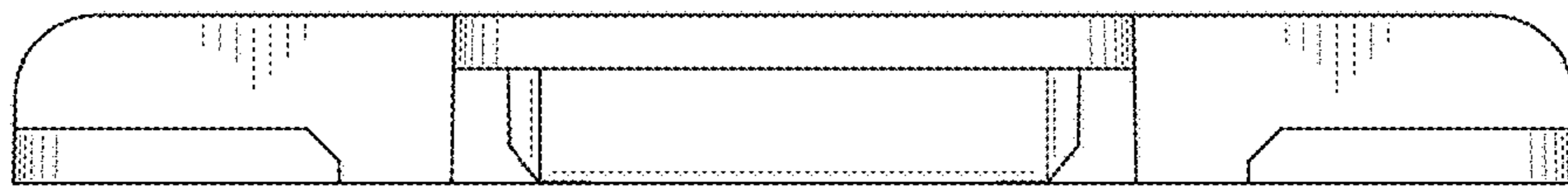


FIG. 8