



US00D856143S

(12) **United States Design Patent** (10) **Patent No.:** **US D856,143 S**
Tartock et al. (45) **Date of Patent:** **** Aug. 13, 2019**

(54) **CLOSURE**

- (71) Applicant: **Closure Systems International Inc.**,
Lake Forest, IL (US)
- (72) Inventors: **Russell Lewis Tartock**, Crawfordsville,
IN (US); **Larry Holmes**, Fishers, IN
(US)
- (73) Assignee: **Closure Systems International Inc.**,
Lake Forest, IL (US)
- (**) Term: **15 Years**
- (21) Appl. No.: **29/653,853**
- (22) Filed: **Jun. 19, 2018**

Related U.S. Application Data

- (63) Continuation of application No. 29/594,645, filed on
Feb. 21, 2017.
- (51) **LOC (12) Cl.** **09-07**
- (52) **U.S. Cl.**
USPC **D9/454**
- (58) **Field of Classification Search**
USPC D7/387, 391, 392, 396.1, 396.2, 398,
D7/900, 300, 300.1, 313, 314, 316, 392.1,
D7/393, 396, 397, 401.1, 509, 510, 511,
D7/523, 526, 538, 602, 619.1;
D9/414-435, 438, 440, 445, 446, 447,
D9/449, 499, 453, 454, 516, 529, 686,
D9/688, 723, 724, 763, 772; D19/162,
D19/163, 164, 165, 192, 194; D24/121,
D24/127, 224; D28/76, 78, 82;
D12/197; D23/249, 259, 260, 261
CPC .. B65D 81/00; B65D 79/00; B65D 2577/205;
B65D 15/08; B65D 2543/00296; B65D
2203/00; B65D 2203/02; B65D 23/00;
B65D 23/12; B65D 23/14; B65D 1/00;

(Continued)

(56) **References Cited**

U.S. PATENT DOCUMENTS

- D209,789 S 1/1968 Huston
- 4,205,484 A * 6/1980 Kovac A63H 33/18
446/46

(Continued)

OTHER PUBLICATIONS

SKS Metal Plastisol Cap: Announced Feb. 22, 2011 [online]. Site
Visited Dec. 28, 2018. Available from Internet URL: <https://www.sks-bottle.com/340c/fin86e.html>.*

(Continued)

Primary Examiner — Jennifer Rivard
Assistant Examiner — Catherine S Posthauer
(74) *Attorney, Agent, or Firm* — Nixon Peabody LLP

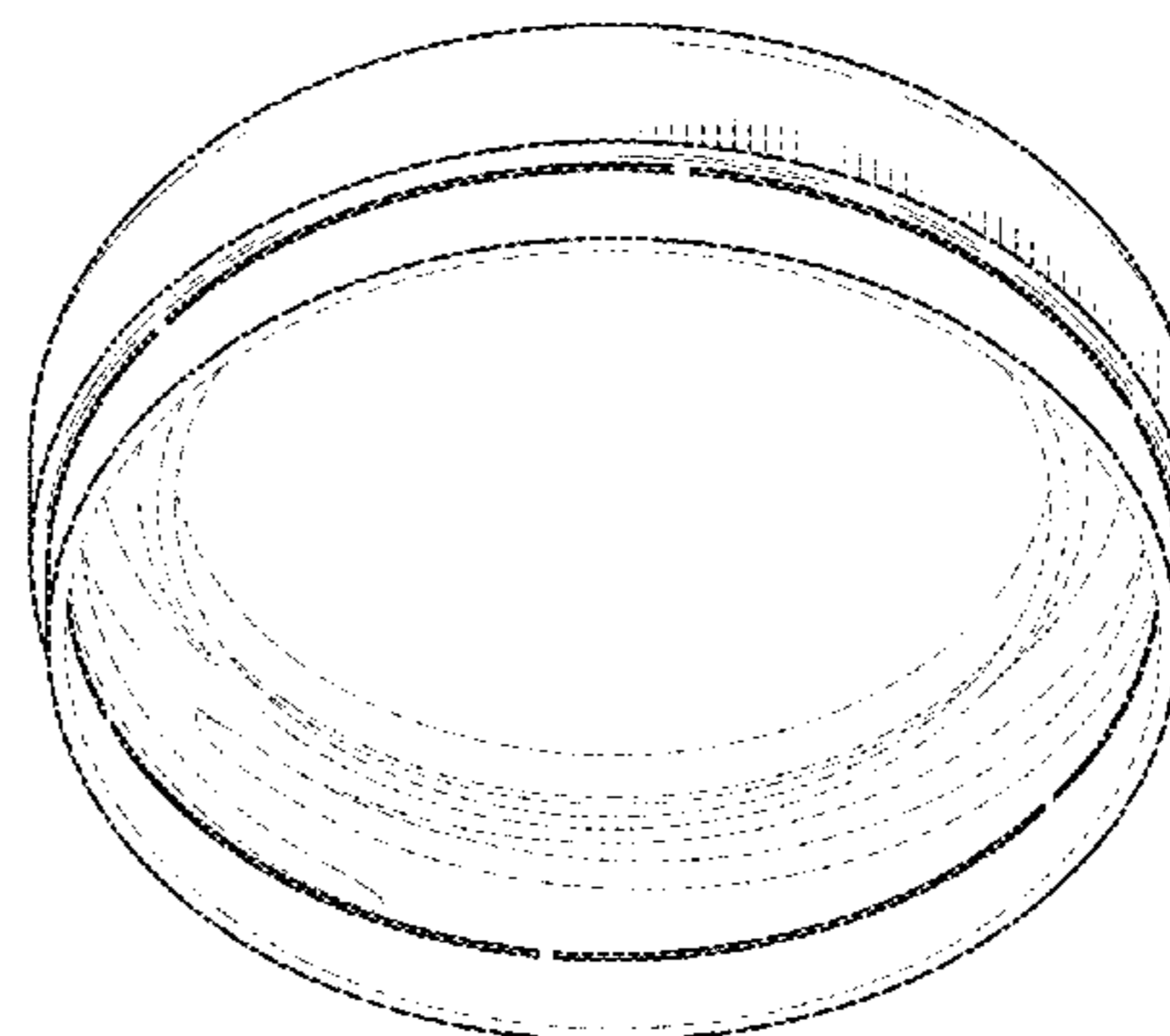
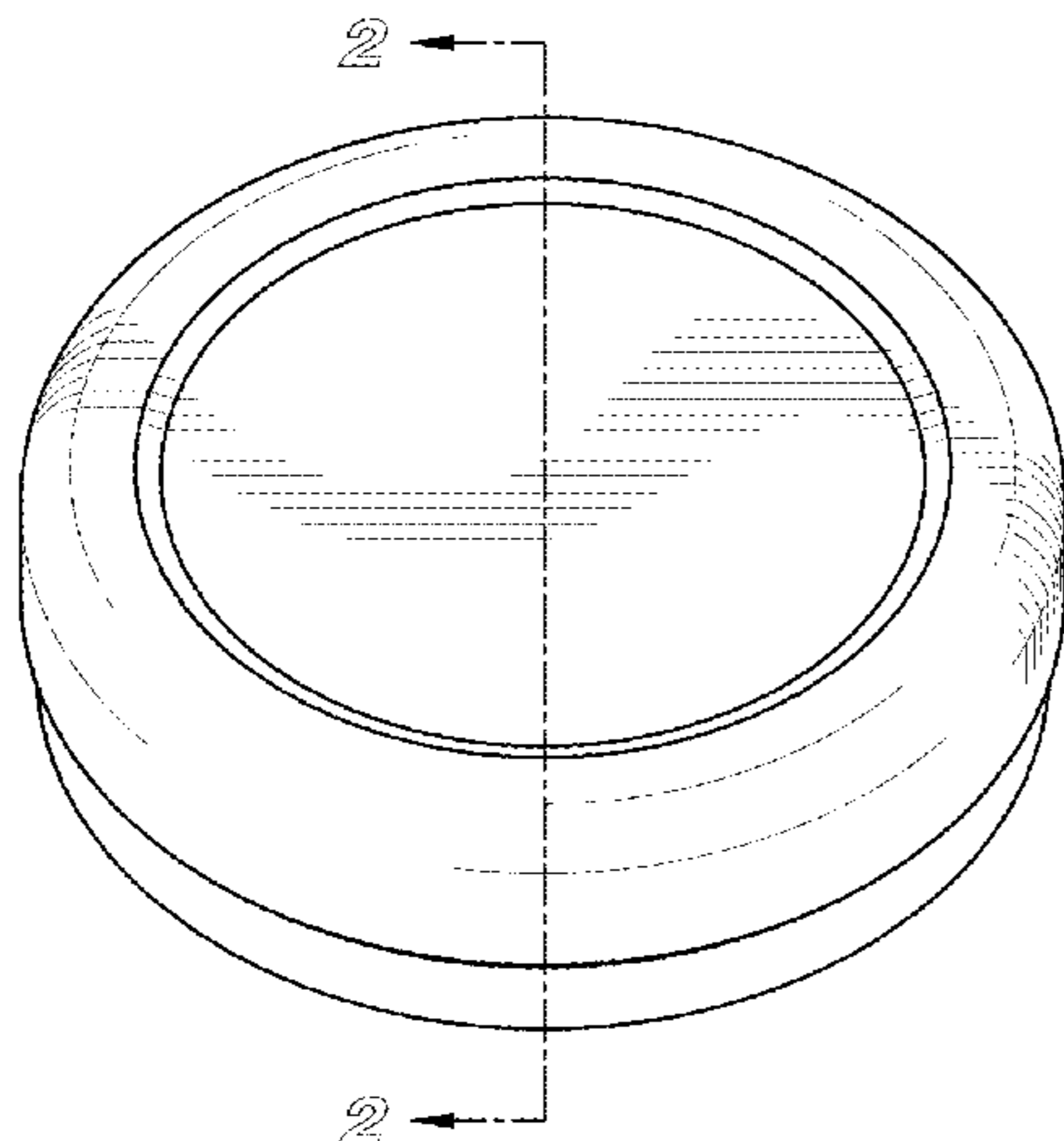
(57) **CLAIM**

The ornamental design for a closure, as shown and
described.

DESCRIPTION

FIG. 1 is a top-perspective view of a closure;
FIG. 2 is a side cross-sectional view of the closure taken in
the direction of line 2-2 on FIG. 1;
FIG. 3 is a bottom-perspective view of the closure of FIG.
1;
FIG. 4 is a top plan view of the closure of FIG. 1;
FIG. 5 is a left side elevation view of the closure of FIG. 1;
FIG. 6 is a right side elevation view of the closure of FIG.
1;
FIG. 7 is a front elevation view of the closure of FIG. 1;
FIG. 8 is a back elevation view of the closure of FIG. 1; and,
FIG. 9 is a bottom plan view of the closure of FIG. 1.
The evenly broken lines are shown for the purpose of
illustrating parts of the article that form no part of the claim.

1 Claim, 4 Drawing Sheets



(58) **Field of Classification Search**

CPC B65D 1/02; B65D 1/0233; B65D 1/22;
 B65D 1/32; B65D 1/36; B65D 1/40;
 B65D 1/225; B65D 5/00-02; B65D
 5/0209; B65D 5/0279; B65D 5/029;
 B65D 5/40; B65D 5/72; B65D 5/541;
 B65D 5/705; B65D 5/706; B65D 5/727;
 B65D 5/4204; B65D 77/24; B65D
 47/122; B65D 43/0212; B65D 43/0208;
 B65D 43/26; B65D 51/1694; B65D
 1/0223; B65D 2101/0046; B65D 51/18;
 B65D 51/28; B65D 51/242; B65D
 51/2814; B65D 51/2821; B65D 1/0246;
 B65D 41/3447; B65D 21/0228; A45D
 40/22; A61J 1/1412; A47G 19/2272;
 A47G 19/02; A47G 19/22; A47G
 19/2205; A47G 19/2222; A47G 19/2266;
 A47G 19/2294; A47F 3/14; A47J 36/027;
 A47J 43/27

See application file for complete search history.

(56) **References Cited**

U.S. PATENT DOCUMENTS

D286,026 S 10/1986 Rayner
 D352,896 S * 11/1994 Jones D9/503
 D384,113 S * 9/1997 Subers D21/390
 D402,318 S * 12/1998 Dunipace D21/443
 D419,370 S 1/2000 Busick
 D419,371 S 1/2000 Haley
 D443,040 S * 5/2001 Fabian D23/249
 D454,384 S 3/2002 Lord
 D466,015 S 11/2002 Faucon
 D467,036 S 12/2002 Bakic
 6,561,375 B1 5/2003 Nagy
 D484,644 S * 12/2003 Noh D28/76
 D525,127 S 7/2006 Cogley
 D526,564 S * 8/2006 Slavin D9/454
 D526,839 S 8/2006 Boozer
 D527,428 S * 8/2006 Cooper D21/443
 D546,670 S 7/2007 Sainz
 D563,785 S 3/2008 Maki
 D564,877 S * 3/2008 Hood D9/454
 D567,584 S 4/2008 Boozer
 D581,792 S 12/2008 Krohn
 D632,959 S * 2/2011 Peters D9/454
 D633,644 S 3/2011 Sprengers
 D641,207 S 7/2011 Backaert
 D660,136 S 5/2012 Jarowenko
 D688,946 S 9/2013 Pirincci
 D694,463 S 11/2013 Sieczkowski

D701,700 S 4/2014 Abdi
 D711,745 S 8/2014 Humm
 D717,651 S 11/2014 Marina
 D718,133 S 11/2014 Fraser
 D718,136 S 11/2014 Harrity
 D723,906 S 3/2015 Kato
 D727,148 S 4/2015 Humm
 D727,149 S 4/2015 Humm
 D727,731 S 4/2015 Humm
 D742,339 S 11/2015 Takagi
 D746,683 S 1/2016 Fahl
 D756,222 S 5/2016 Lopez
 D769,079 S 10/2016 Kotani
 D780,303 S * 2/2017 Kassouni D24/101
 9,649,254 B2 5/2017 Frishman
 D790,966 S * 7/2017 Roberts D9/453
 D792,220 S 7/2017 Simons
 D795,070 S * 8/2017 Haddad D7/392.1
 D799,963 S 10/2017 Akiyama
 D824,763 S * 8/2018 Suess D9/454
 D825,334 S * 8/2018 Ristich D9/454
 D830,170 S * 10/2018 Holmes D9/443
 2006/0278665 A1 * 12/2006 Bennett A45D 33/16
 222/480
 2009/0166240 A1 * 7/2009 Scarola B65D 1/40
 206/524.2
 2011/0006060 A1 1/2011 Lin
 2015/0129600 A1 * 5/2015 Akers B44D 3/127
 220/700
 2015/0157535 A1 6/2015 Frishman

OTHER PUBLICATIONS

1.25 oz Clear Thick Wall Glass Jar with Gold Metal Lined Lid + Label, downloaded at <https://juvitus.com/collections/jars-glass/products/742415474754>, accessed on Apr. 12, 2018 (2 pages).
 Mini Glass Milk Bottles with Silver lids—Funky, retro design—Great for Weddings, downloaded at https://www.amazon.co.uk/Classic-Mini-Glass-Bottles-Silver/dp/B00ZRSX4J4/ref=cm_cr_ar_p_d_product_top?ie=UTF8, accessed on Apr. 12, 2018 (6 pages).
 GoJars 4 oz Premium Food-Grade Hexagon Glass Jar, downloaded at https://www.amazon.com/GoJars-Premium-Food-Grade-Hexagon-Wedding/dp-B01J91OVI/ref=cm_cr_ar_p_d_product_top?ie=UTF8, accessed on Apr. 12, 2018 (8 pages).
 48mm Gold Twist Off Cap, downloaded at <https://ideon.co.uk/48mm-gold-twist-off-lid.html>, accessed on Apr. 12, 2018, (2 pages).
 500 ml Frescor clear glass juice bottle & twist off lid, downloaded at <https://ideon.co.uk/500ml-glass-frescor.html>, accessed on Apr. 12, 2018 (2 pages).
 38 Lug Black Plastisol Container Lid, downloaded at <https://www.filmorecontainer.com/38-lug-black-plastisol.html>, accessed on Apr. 12, 2018 (4 pages) [Upload].

* cited by examiner

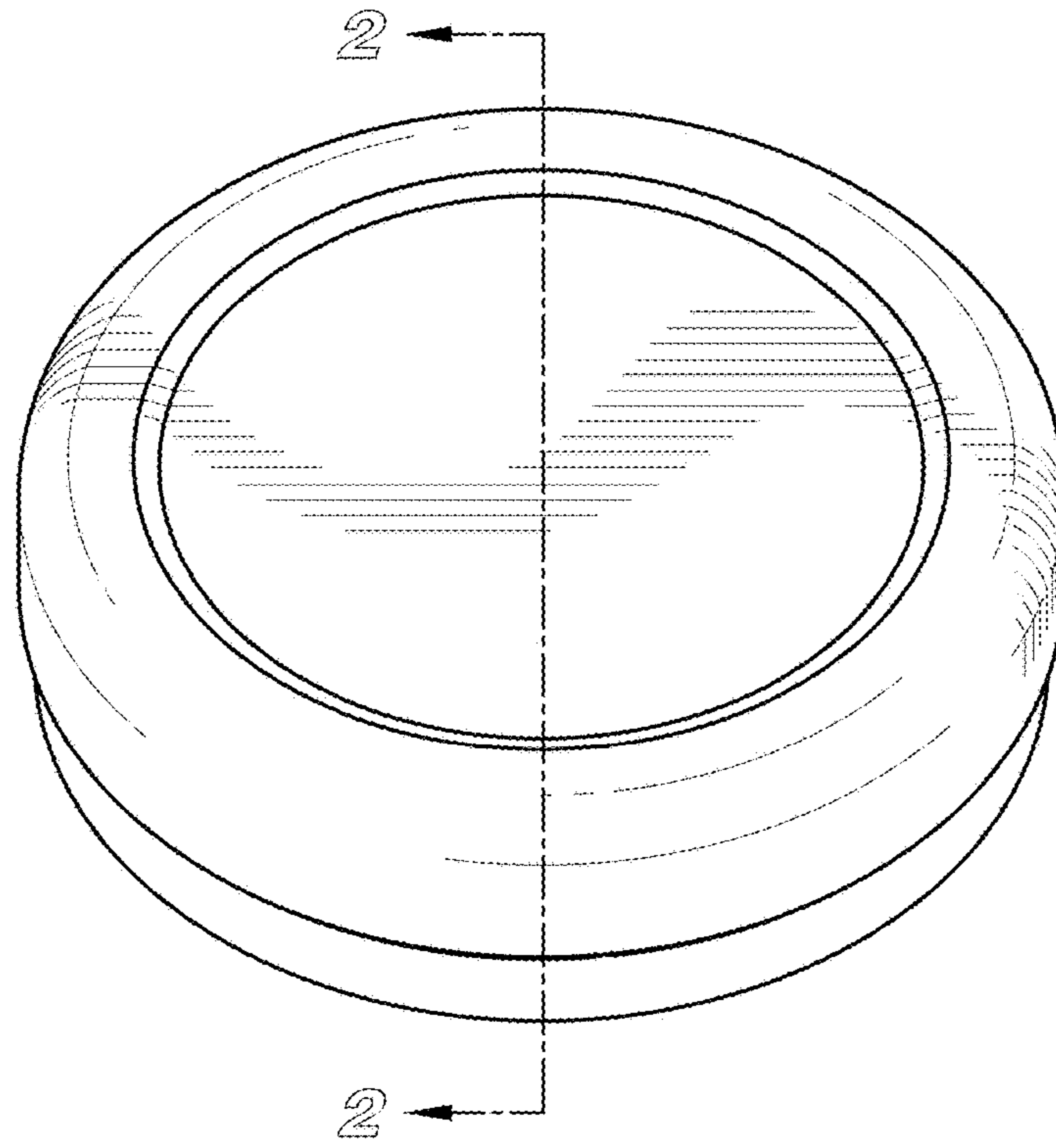


FIG. 1

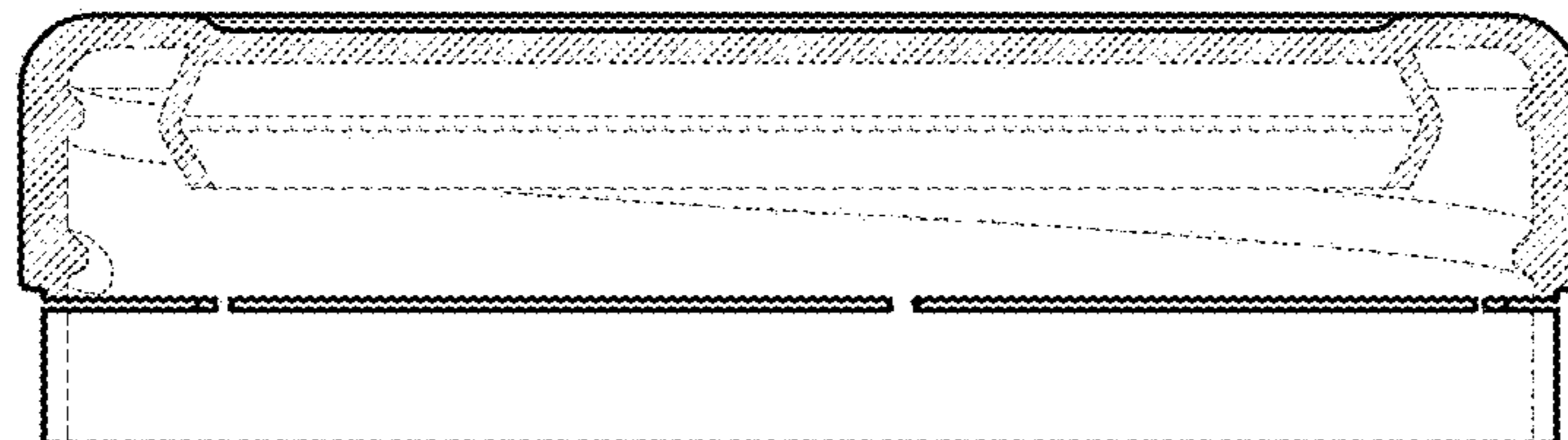


FIG. 2

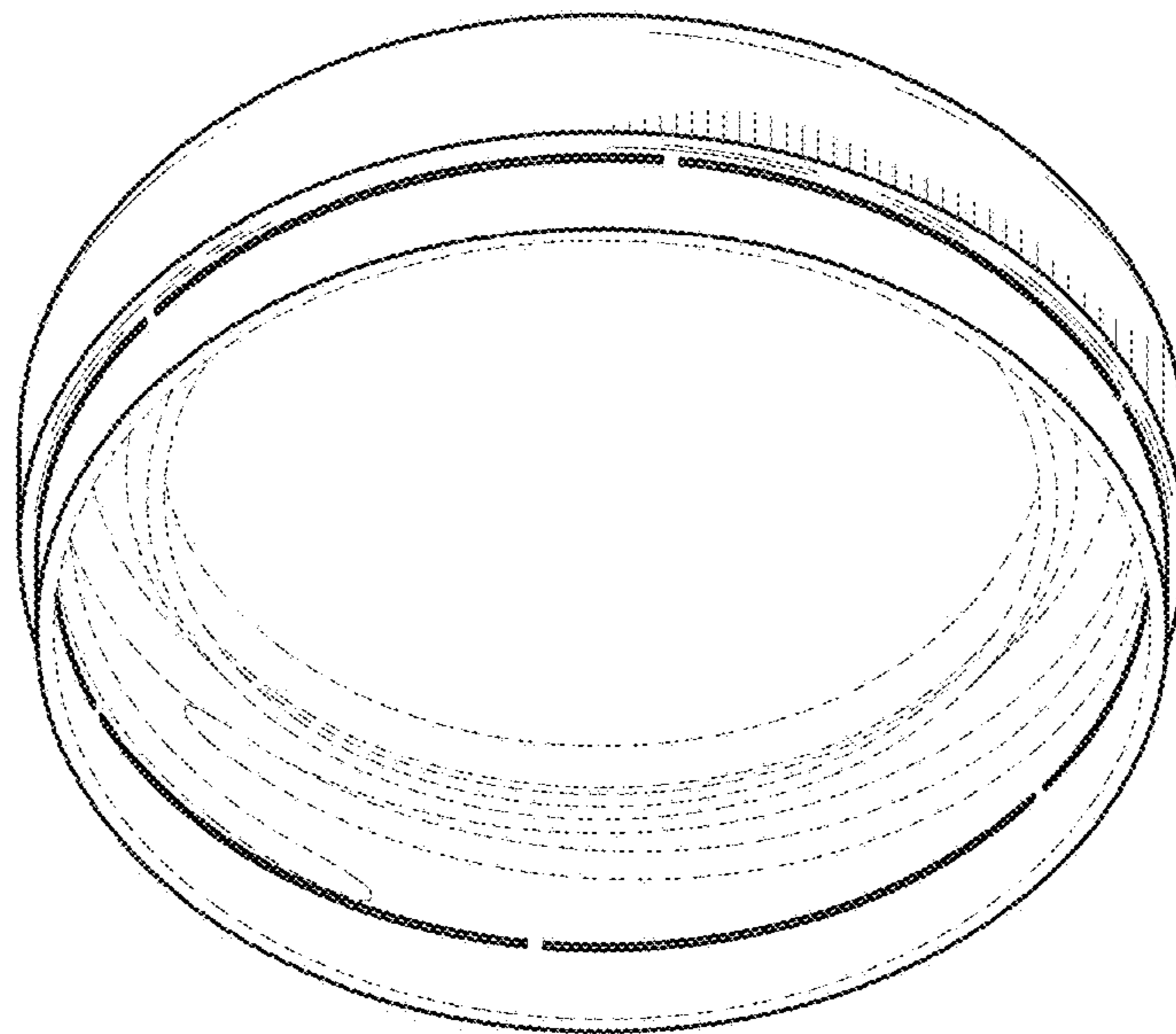


FIG. 3

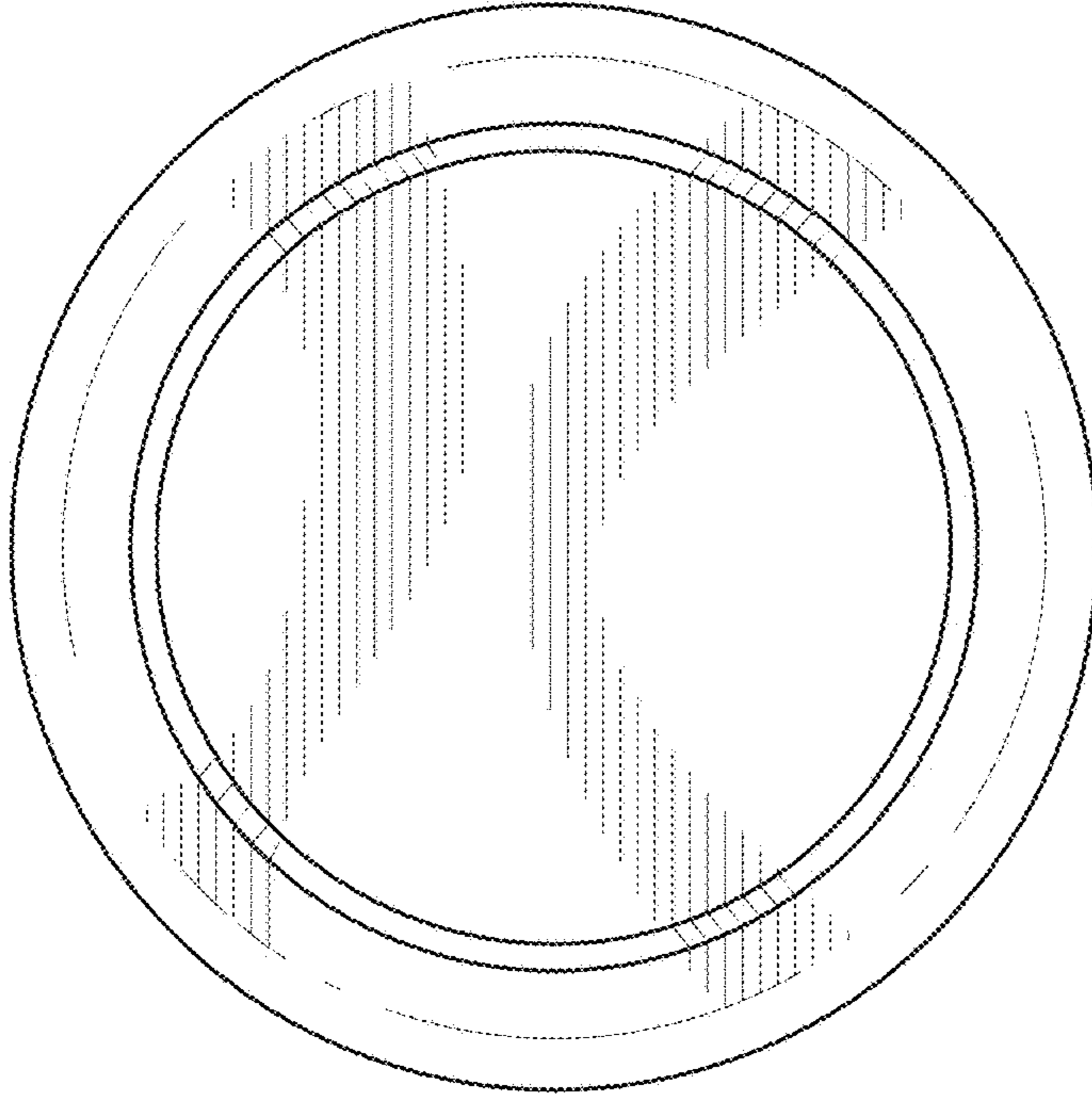


FIG. 4

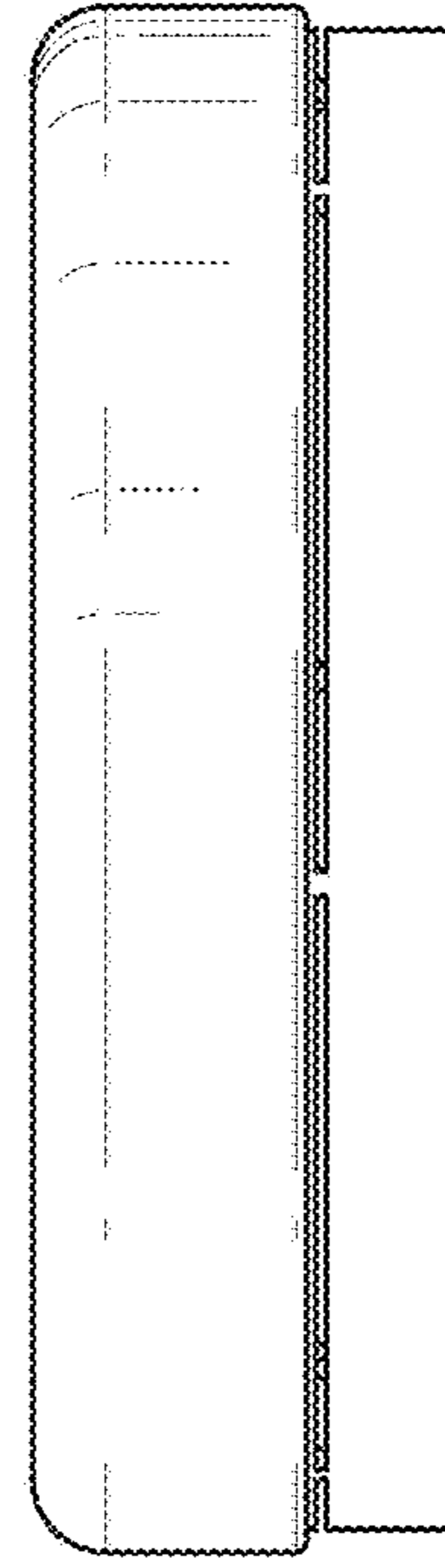


FIG. 6

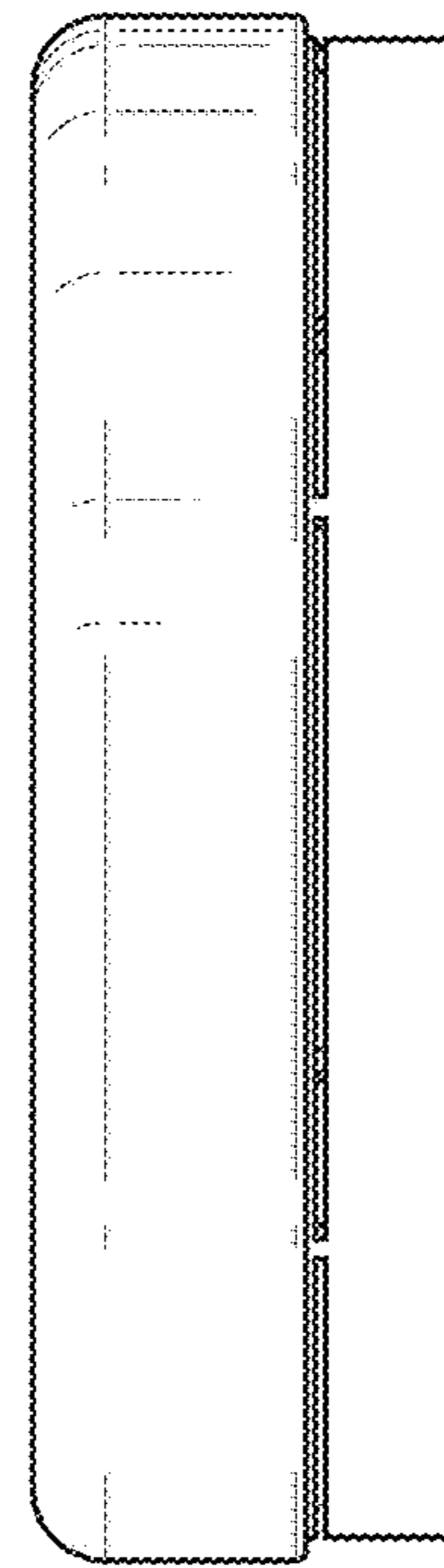


FIG. 5

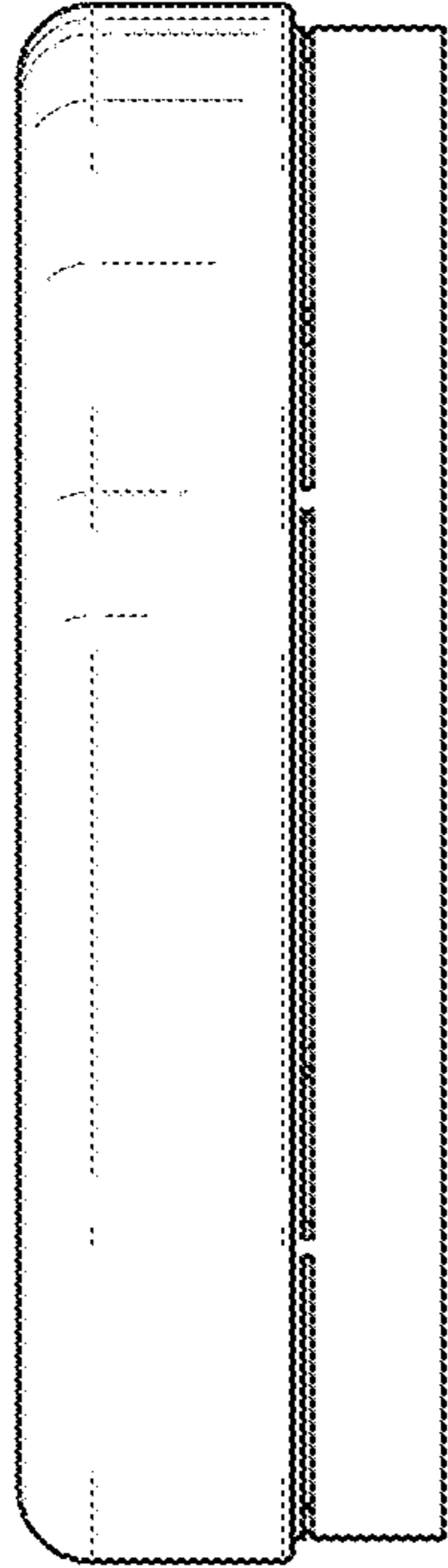


FIG. 8

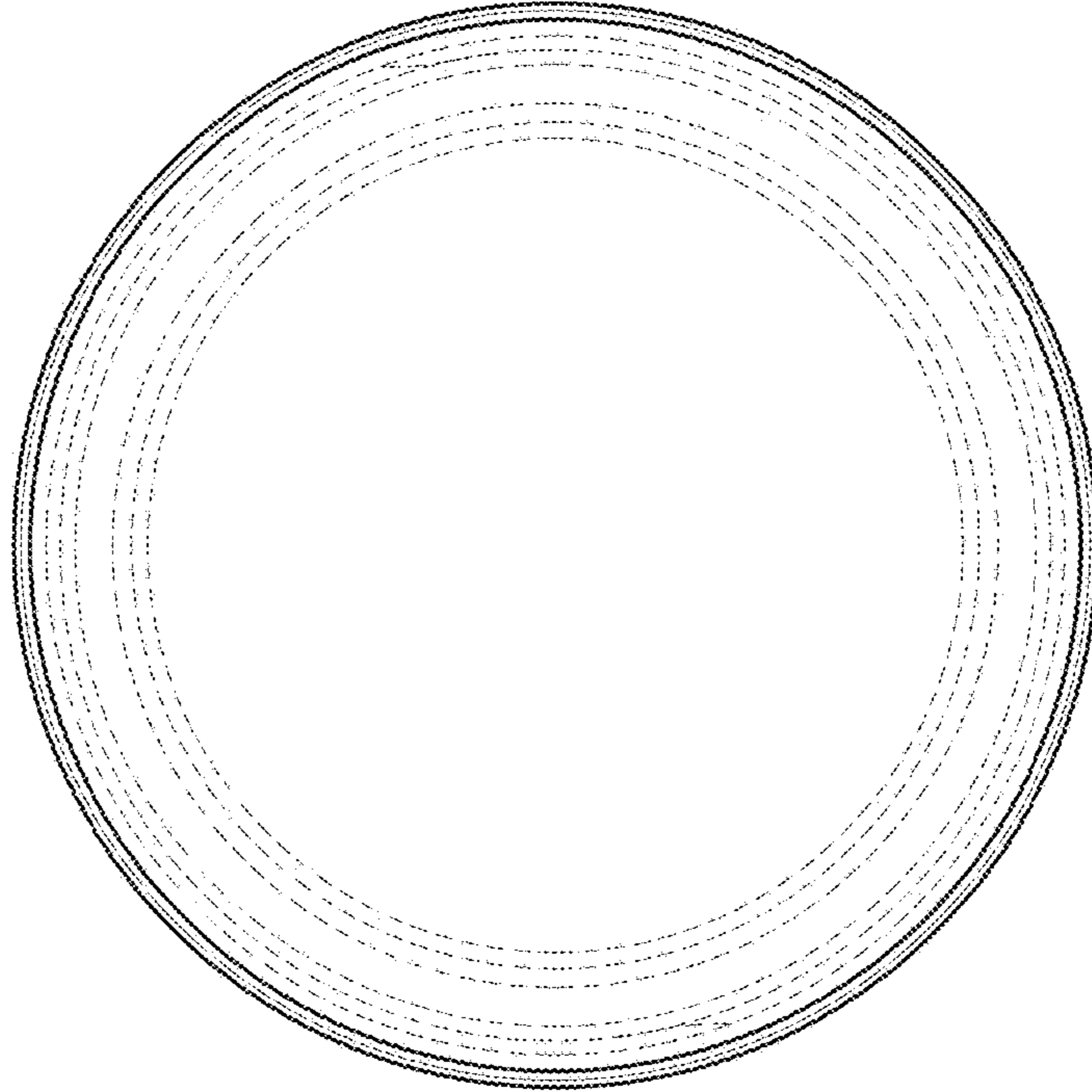


FIG. 9

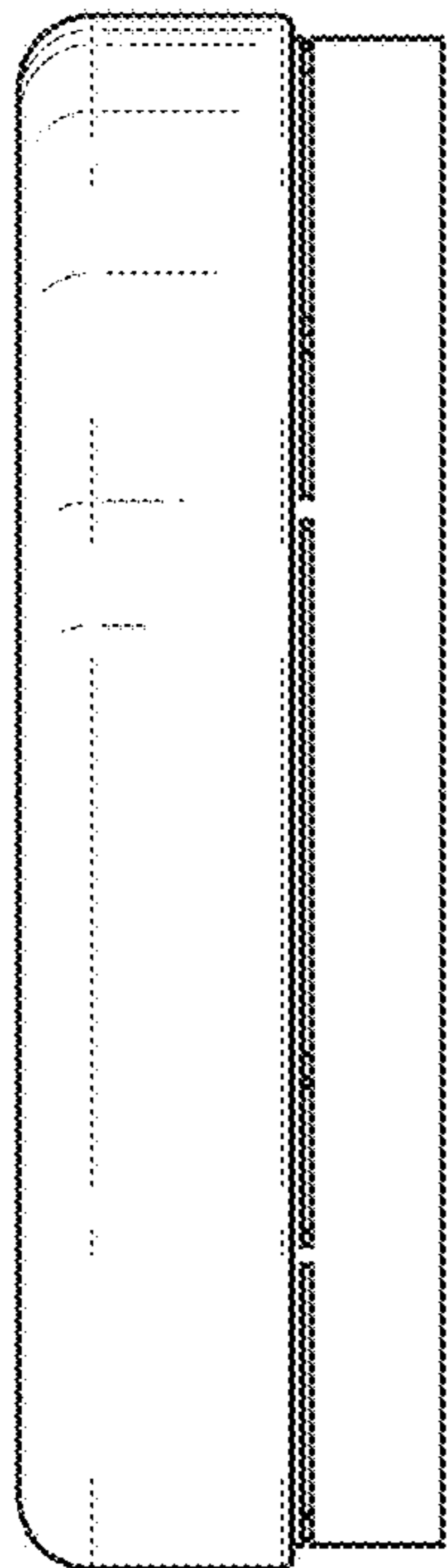


FIG. 7