



US00D856141S

(12) **United States Design Patent** (10) **Patent No.:** **US D856,141 S**
Jasso Gomez (45) **Date of Patent:** **** Aug. 13, 2019**

- (54) **BOTTLE CAP**
- (71) Applicant: **Industrias Alen, S.A. de C.V.**, Santa Catarina (MX)
- (72) Inventor: **Alpha Edith Jasso Gomez**, Monterrey (MX)
- (73) Assignee: **Industrias Alen, S.A. de C.V.**, Santa Catarina (MX)
- (**) Term: **15 Years**
- (21) Appl. No.: **29/569,739**
- (22) Filed: **Jun. 30, 2016**
- (30) **Foreign Application Priority Data**

Jun. 14, 2016 (MX) MX/f/2016/001852

- (51) **LOC (12) Cl.** **09-07**
- (52) **U.S. Cl.**
USPC **D9/449**

- (58) **Field of Classification Search**
USPC D9/434, 435, 442, 443, 445-450, 499, D9/682, 684, 723, 724; D7/387, 392, D7/392.1, 396.2, 509-511, 538, 900; D3/202, 318; D32/35; D28/7; D23/213
CPC .. A61J 1/00; A61J 1/1412; B65D 1/00; B65D 1/02; B65D 1/10; B65D 1/46; B65D 2585/56; B65D 2585/545; B65D 41/00; B65D 41/38; B65D 41/56; B65D 41/62; B65D 47/00; B65D 47/06; B65D 47/08; B65D 2543/00046; B65D 2543/00092; B65D 2543/00296; B65D 5/46; B65D 2251/00

See application file for complete search history.

(56) **References Cited**

U.S. PATENT DOCUMENTS

- D350,482 S * 9/1994 Hu D9/445
- D374,399 S * 10/1996 Neveras D9/442

- D438,799 S * 3/2001 Anderson D9/449
- 6,321,923 B1 * 11/2001 Wood B65D 47/0809
- 16/225
- D463,280 S * 9/2002 Brozell D9/449
- D463,744 S * 10/2002 Brozell D9/449
- D605,513 S * 12/2009 Weber D9/449
- D605,514 S * 12/2009 Weber D9/449
- D635,022 S * 3/2011 Stolle D9/435

(Continued)

Primary Examiner — Michael A. Pratt
Assistant Examiner — Wendy L Arminio
(74) *Attorney, Agent, or Firm* — Jeffrey T. Placker;
Holland & Knight LLP

(57) **CLAIM**

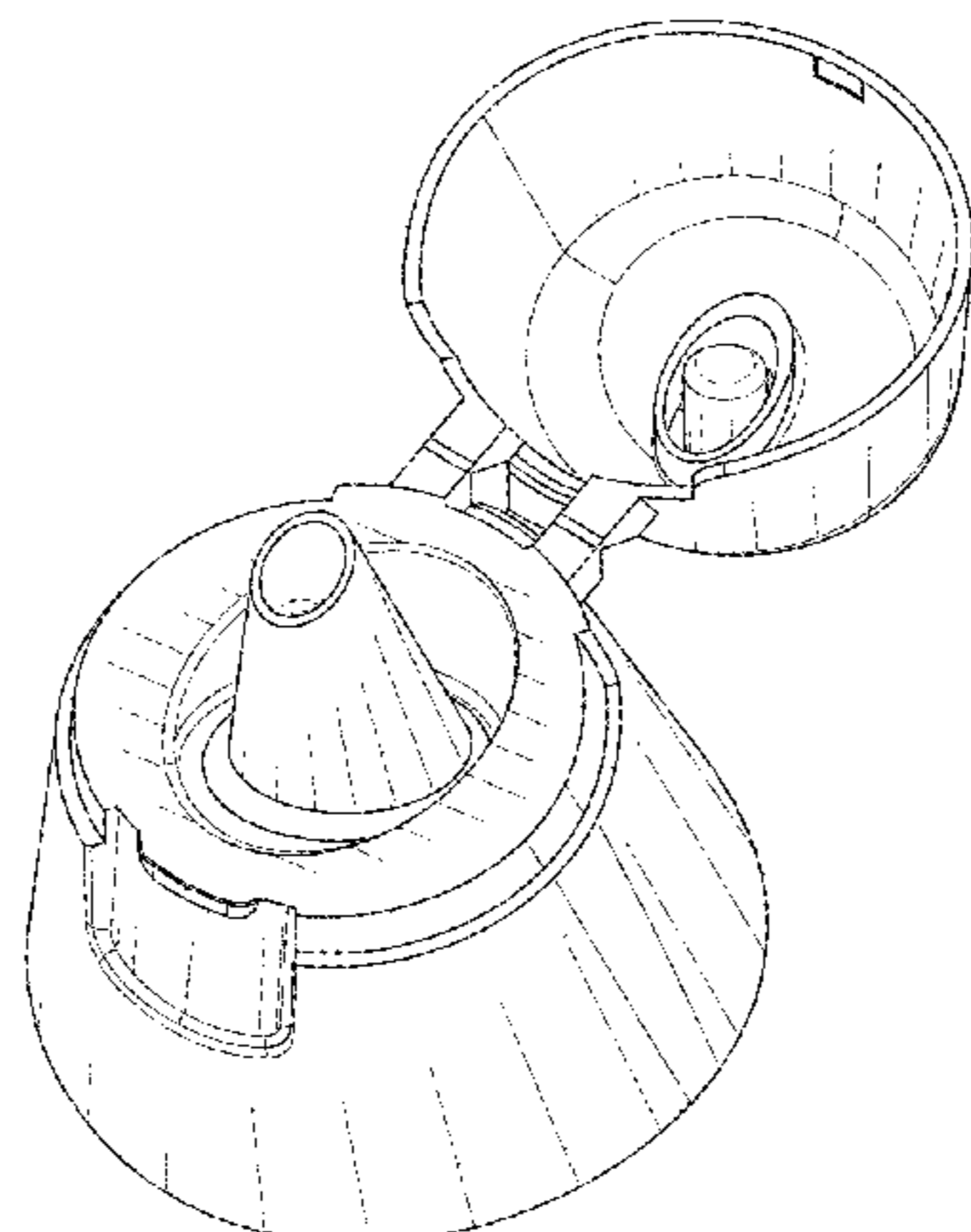
The ornamental design for a bottle cap, as shown and described.

DESCRIPTION

FIG. 1 is a front perspective view of the bottle cap in an open configuration;
FIG. 2 is a front elevational view thereof in an open configuration;
FIG. 3 is a front elevational view thereof in a closed configuration;
FIG. 4 is a right side elevational view thereof in an open configuration;
FIG. 5 is a right side elevational view thereof in a closed configuration;
FIG. 6 is a top plan view thereof in an open configuration;
FIG. 7 is a top plan view thereof in a closed configuration;
FIG. 8 is a bottom plan view thereof in an open configuration; and,
FIG. 9 is a bottom plan view thereof in a closed configuration.

The broken lines in the figures illustrate the portions of the bottle cap that form no part of the claimed design.

1 Claim, 5 Drawing Sheets



(56)

References Cited

U.S. PATENT DOCUMENTS

D635,024	S	*	3/2011	Stolle	D9/435
D635,026	S	*	3/2011	Stolle	D9/435
D662,416	S	*	6/2012	Dziersk	D9/447
D665,261	S	*	8/2012	Mazurkiewicz	D9/449
D666,096	S	*	8/2012	Cummings	D9/447
D666,098	S	*	8/2012	Cummings	D9/447
D709,764	S	*	7/2014	Gibb	D9/449
D711,231	S	*	8/2014	Pun	D9/449
D713,723	S	*	9/2014	den Boer	D9/449
D716,142	S	*	10/2014	Luijendijk	D9/447
D780,579	S	*	3/2017	Kim	D9/449
2005/0173366	A1	*	8/2005	Baudin	B65D 47/0814 215/235

* cited by examiner

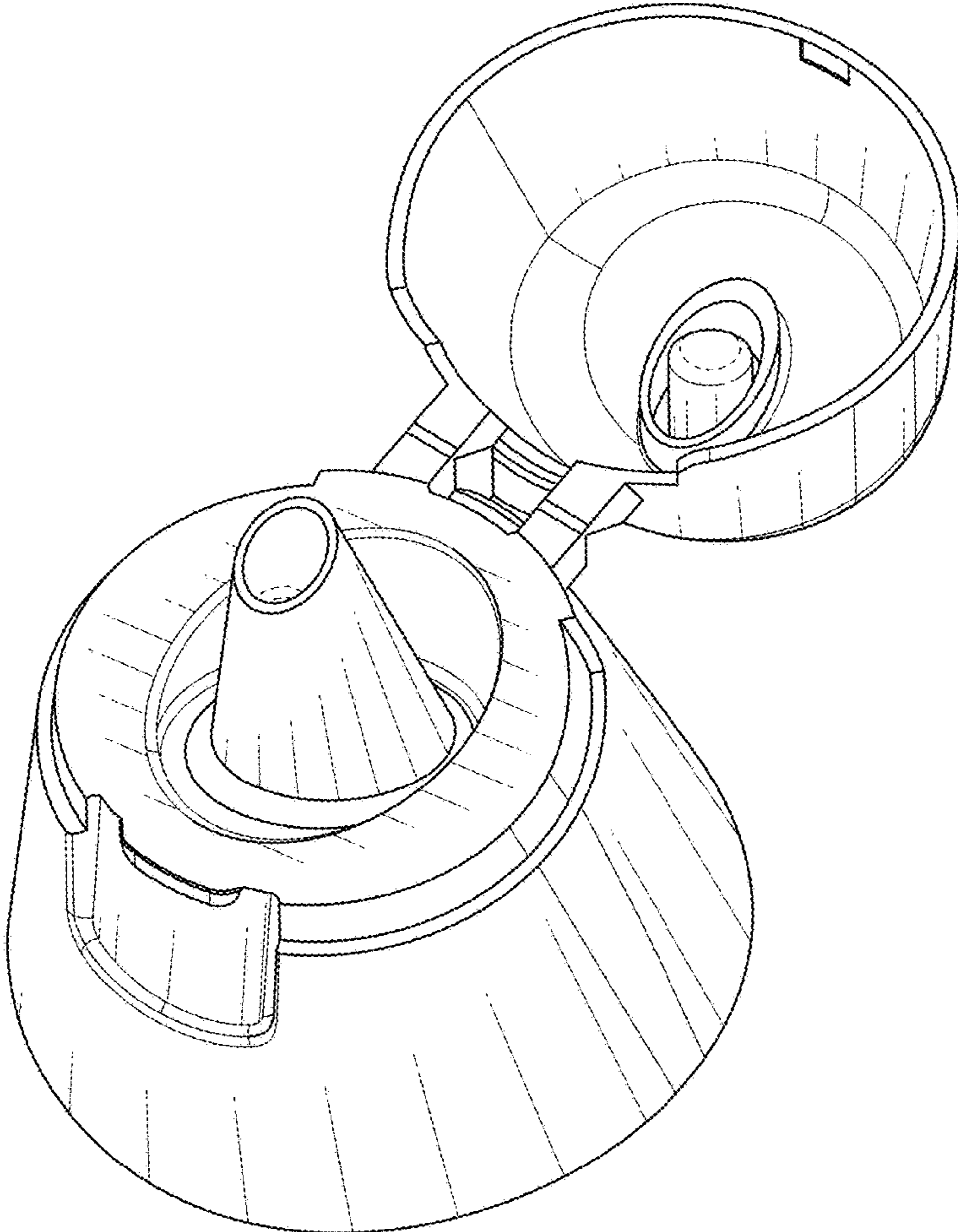


FIG. 1

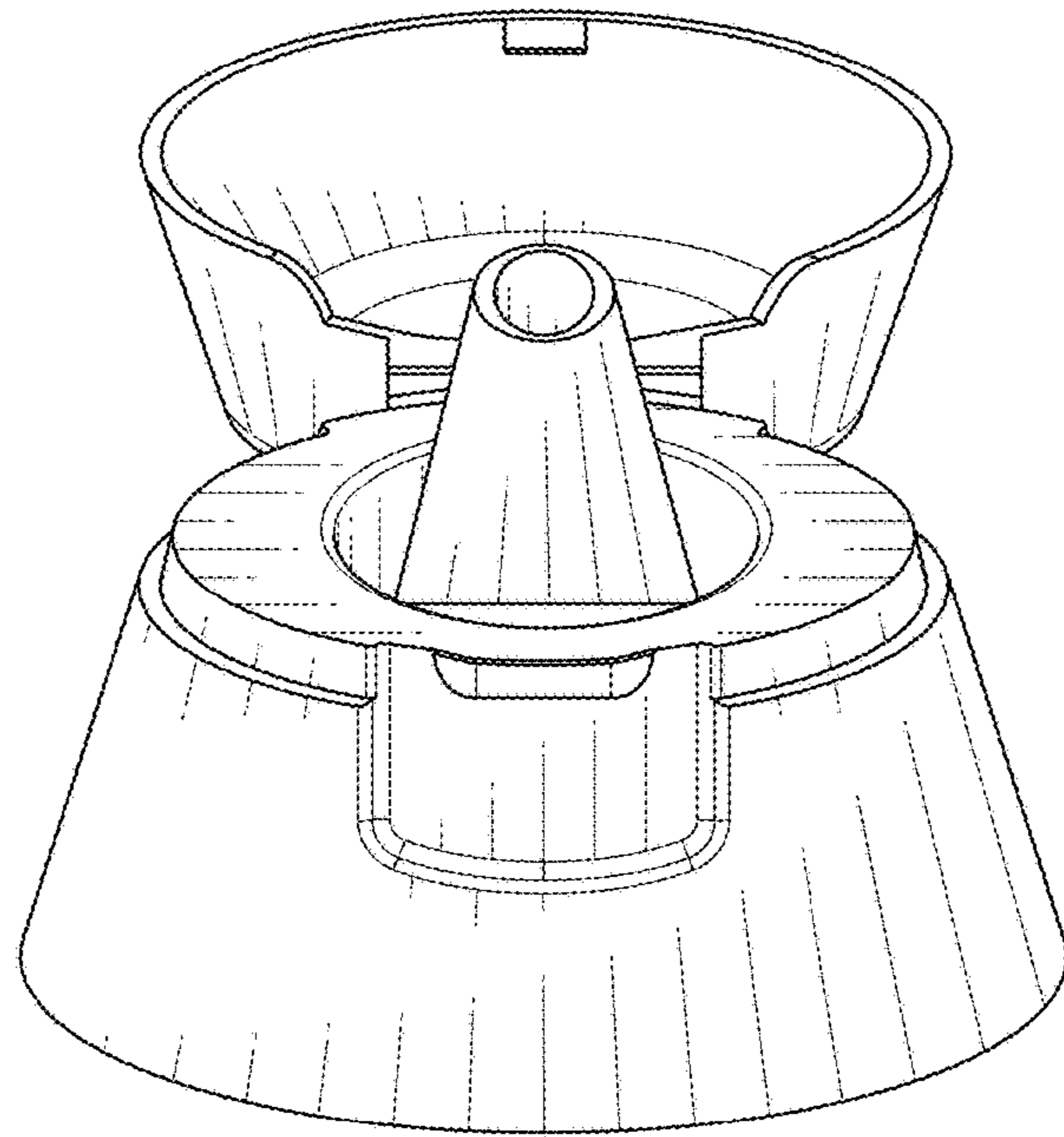


FIG. 2

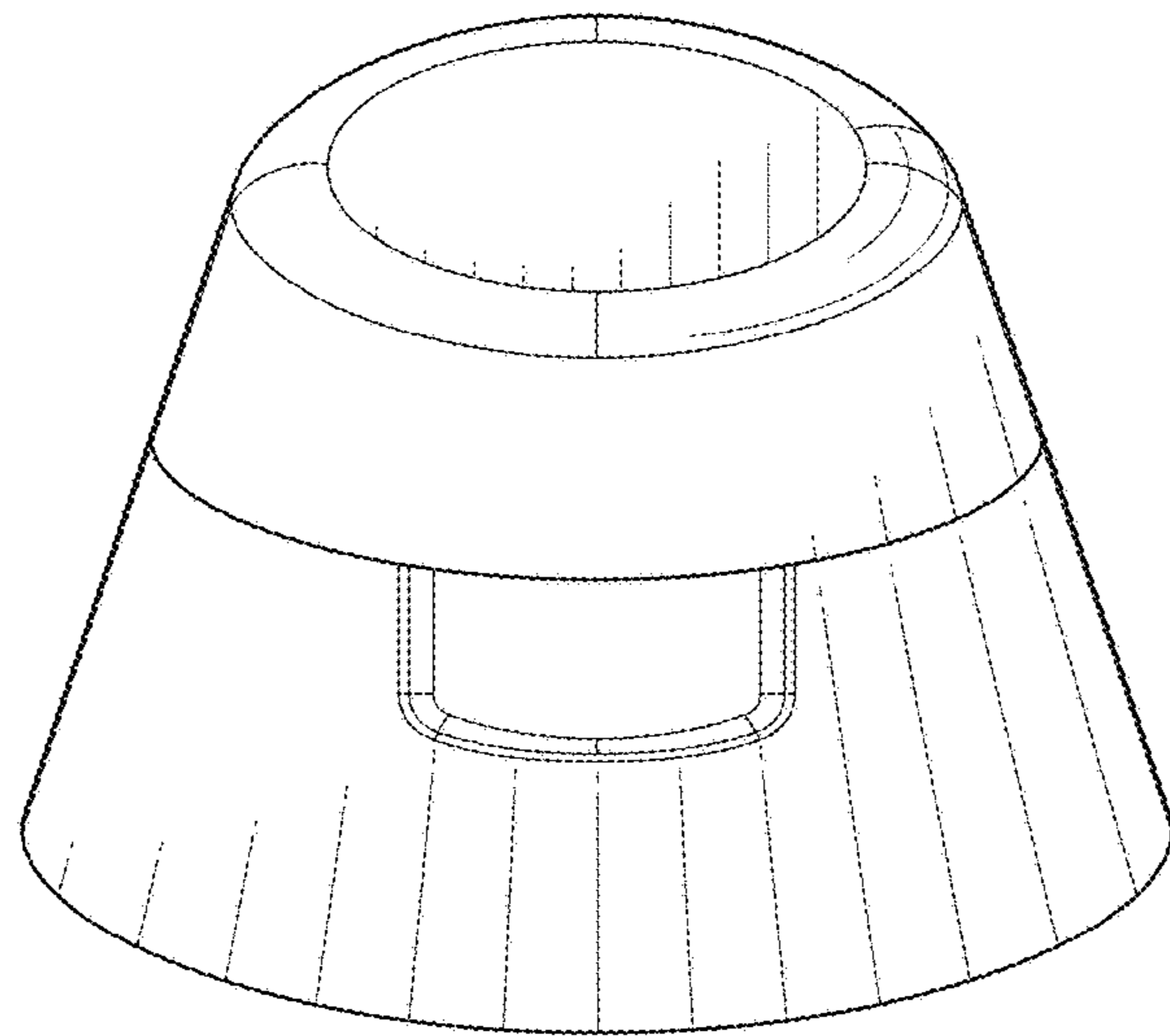


FIG. 3

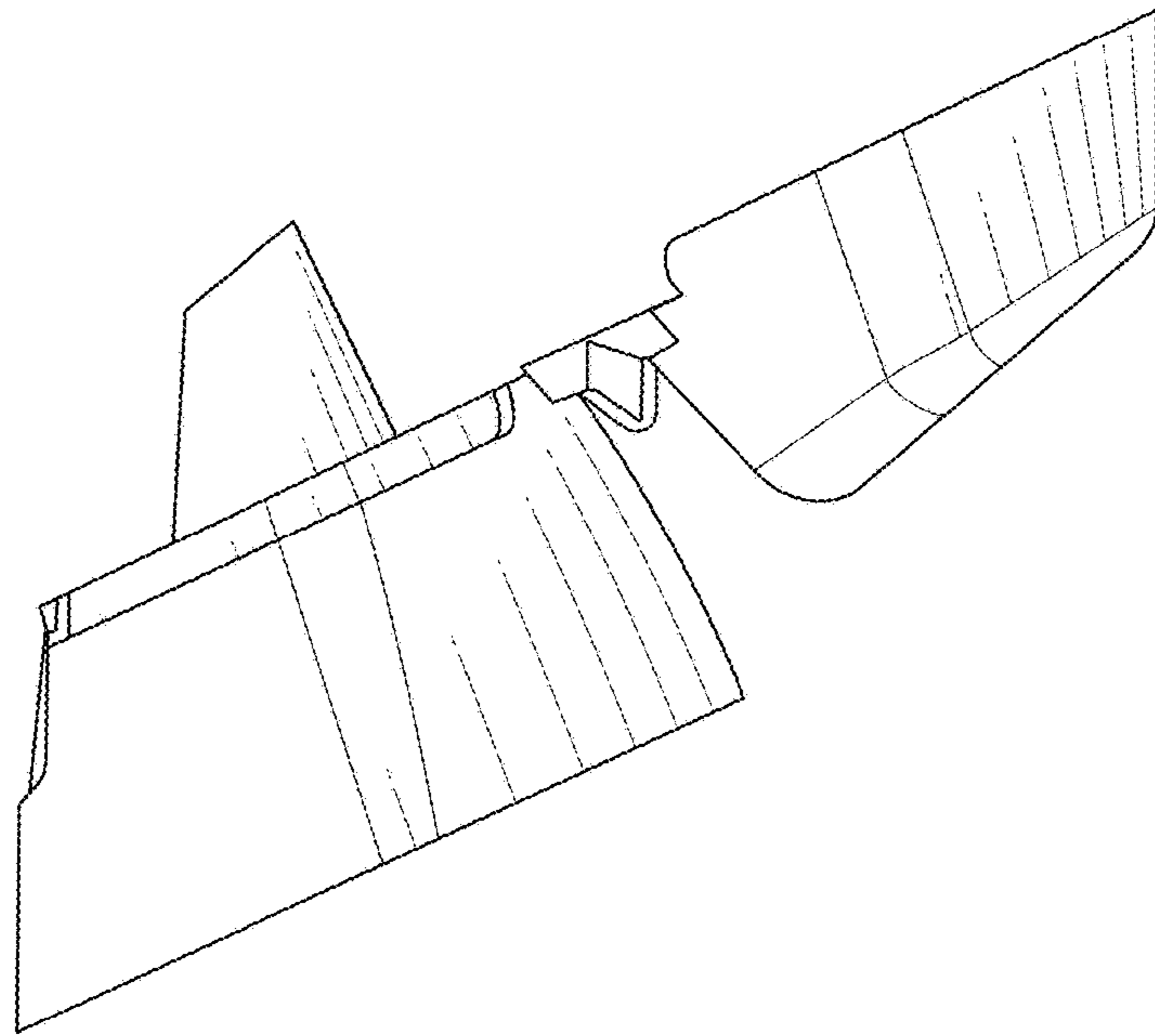


FIG. 4

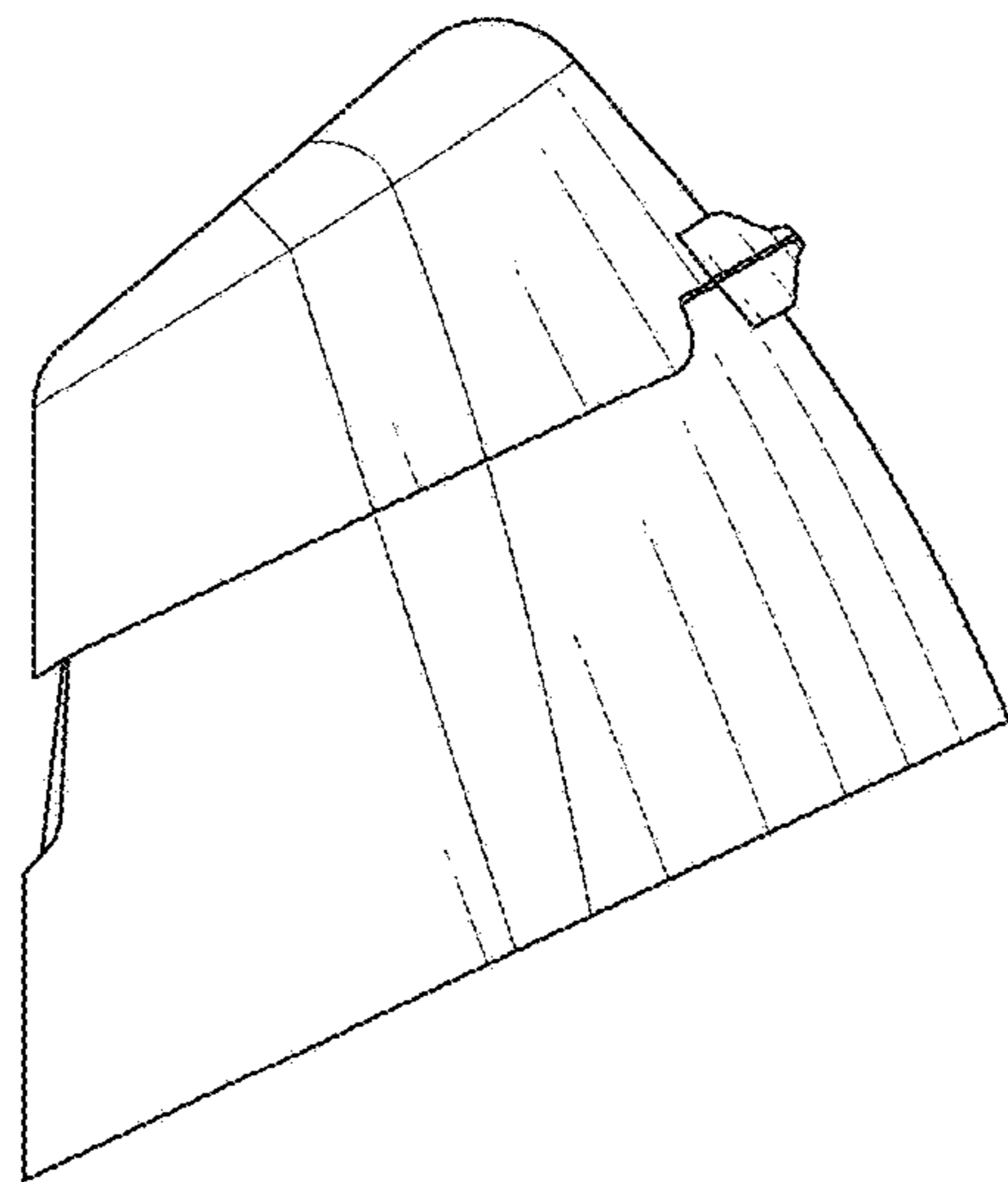


FIG. 5

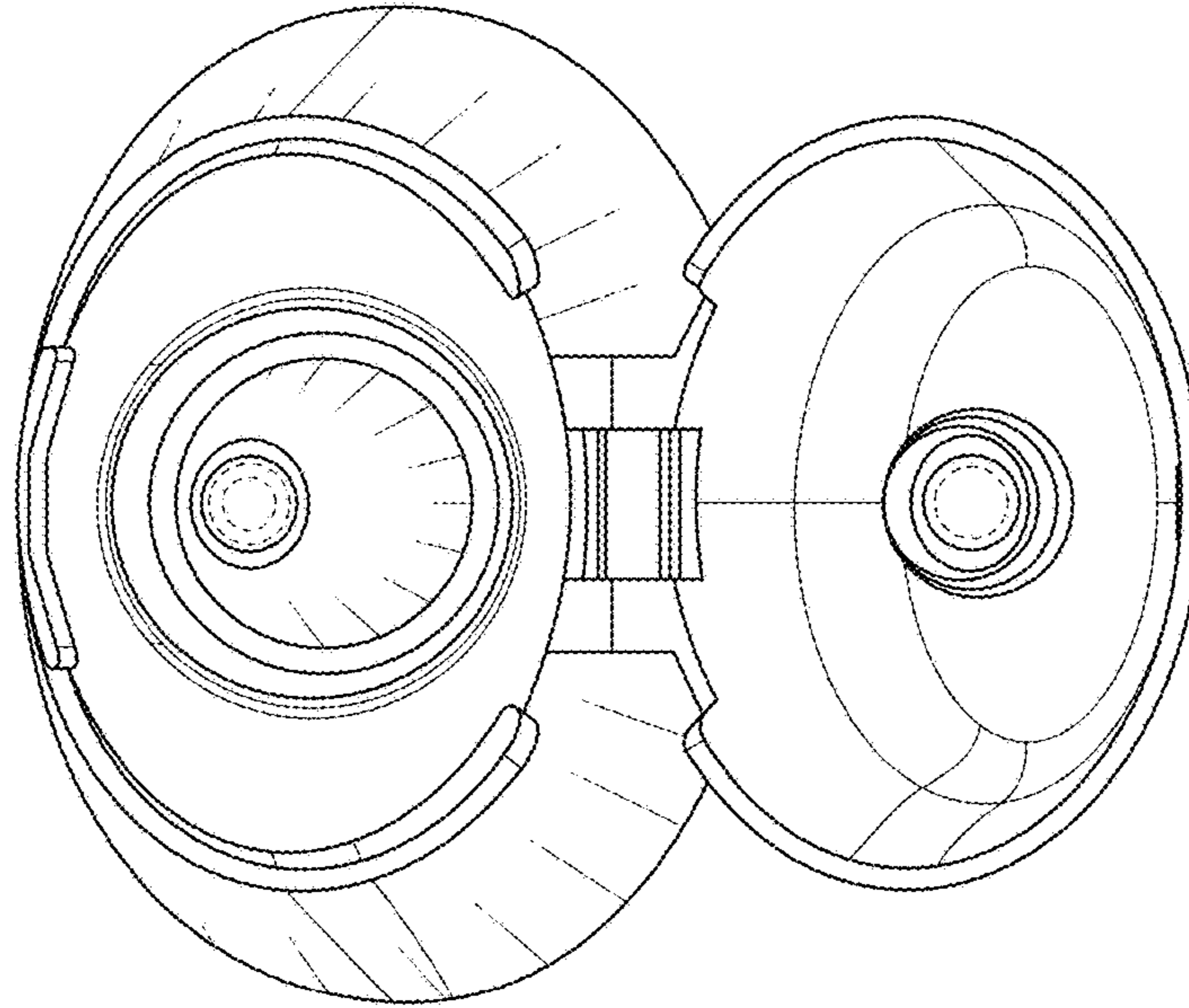


FIG. 6

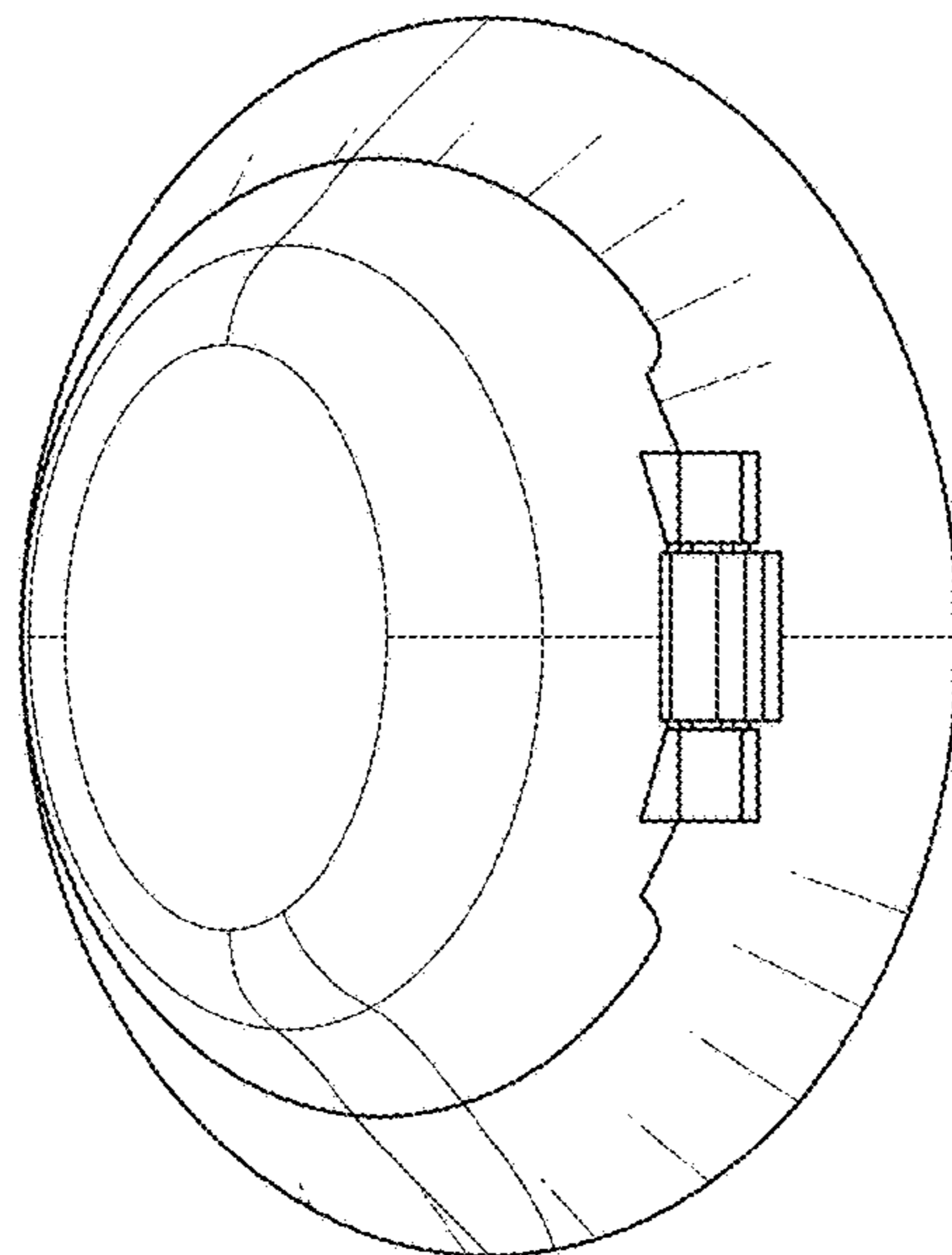


FIG. 7

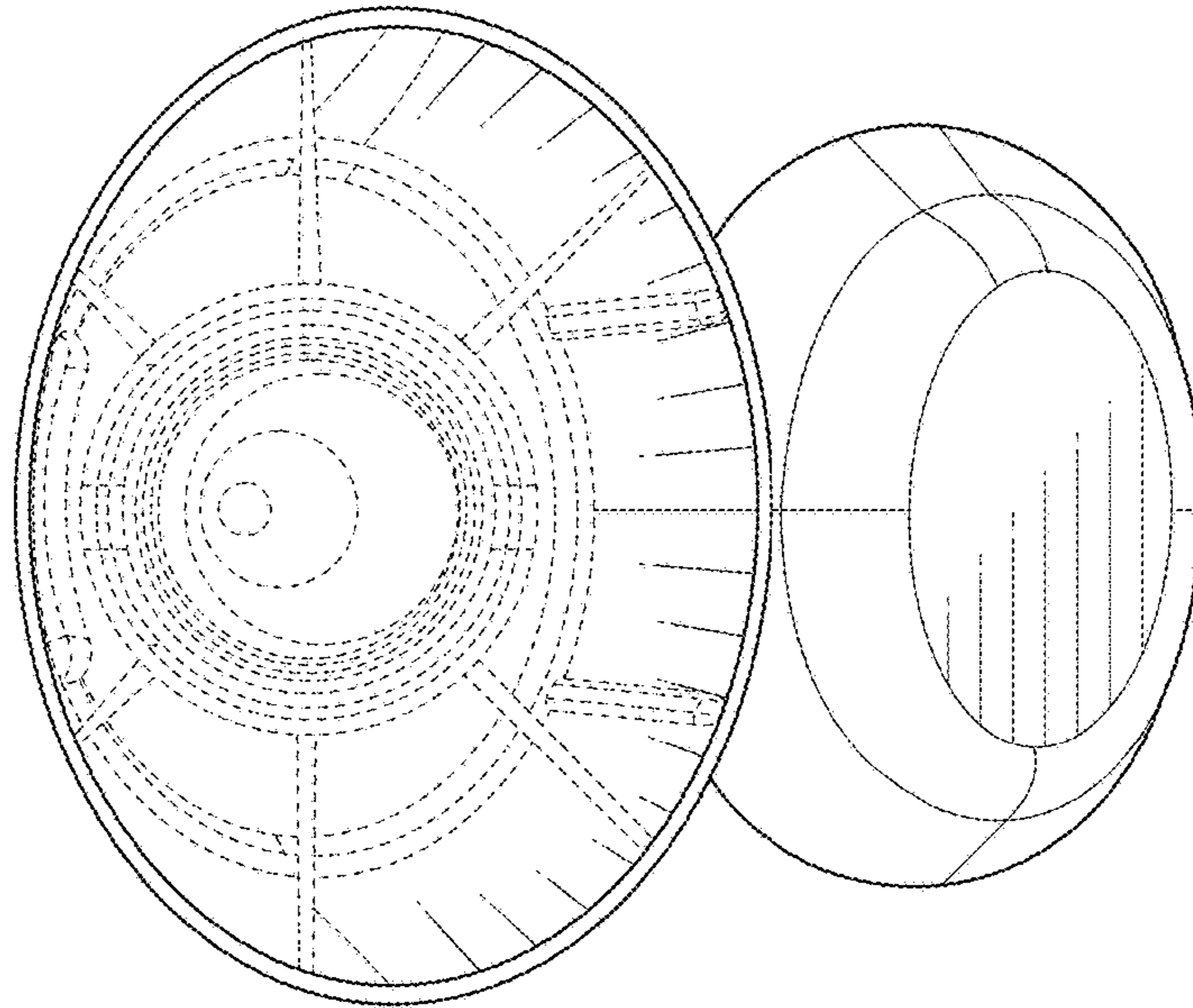


FIG. 8

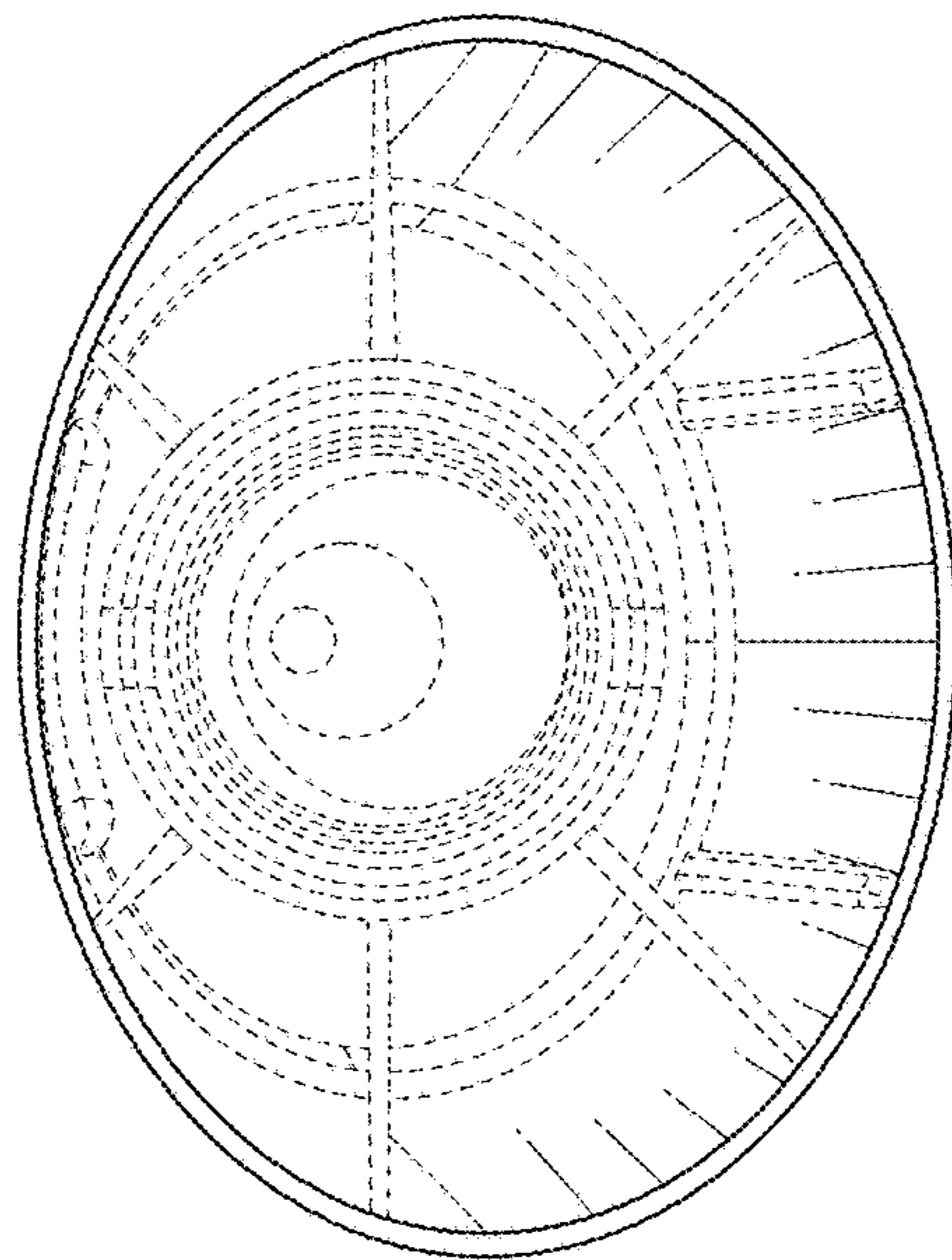


FIG. 9